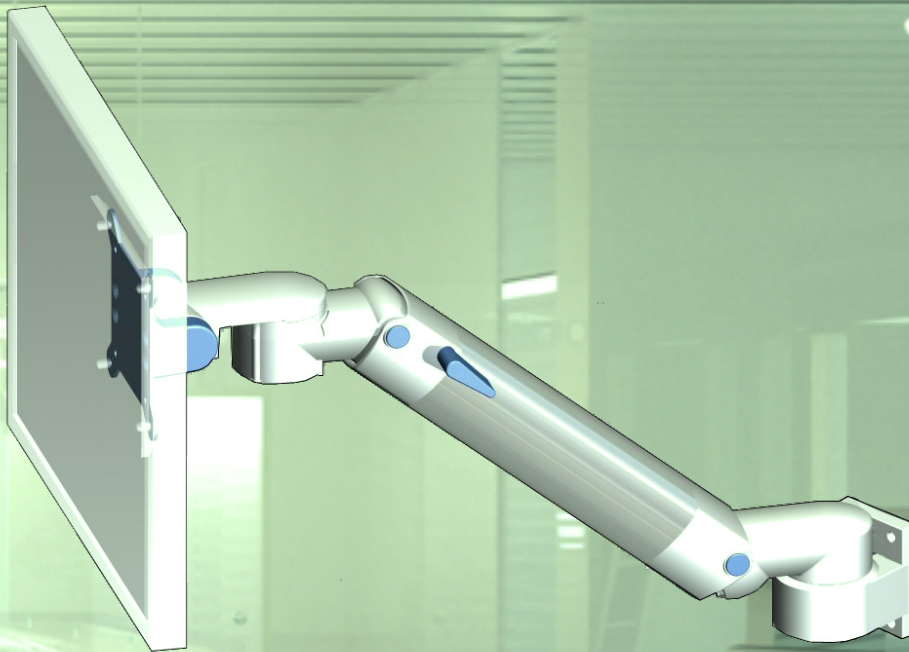




## MEDICAL MONITOR ARMS

### MOUNTING ON PHILIPS ANAESTHESIA MACHINE



We have all the solutions and offer you the widest choice of

professional medical systems and supports compatible

with the widest possible range of medical and computer monitors.



---

---

## Our Medical Products for Screen Mounting on anesthesia machine Philips

---

---

MEDICAL ARMS FOR SCREEN MOUNTING ON ANESTHESIA MACHINE PHILIPS IntelliSave Series / Siesta i / Siesta i Whispa / Siesta i Breasy

### INDEX :

#### Medical Monitor arms mounting on Philips anesthesia machine

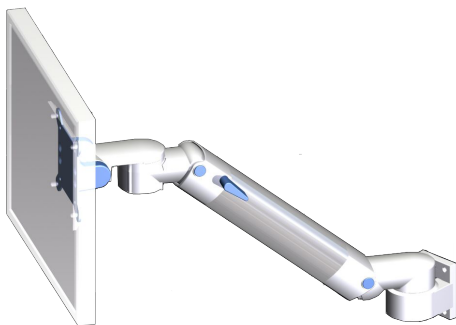
Medical Monitor arms mounting on Philips anesthesia machine overview .....	Page 4 - 12
Mandatory accessories overview .....	Page 13
Optional Accessories Overview .....	Page 14 - 15

Medical Monitor arms mounting on Philips anesthesia Presentations and Technical Sheets Page 16 - 65

Mandatory accessories Presentations and Technical Sheets.....Page 66 - 67

Optional Accessories Presentations and Technical Sheets ..... Page 68 - 97 |

Advantages of Medical Arms ..... Page 98 - 105 |





## Our Medical Products for Screen Mounting on anesthesia machine Philips

MEDICAL ARMS FOR SCREEN MOUNTING ON ANESTHESIA MACHINE PHILIPS IntelliSave Series / Siesta i / Siesta i Whispa / Siesta i Breasy

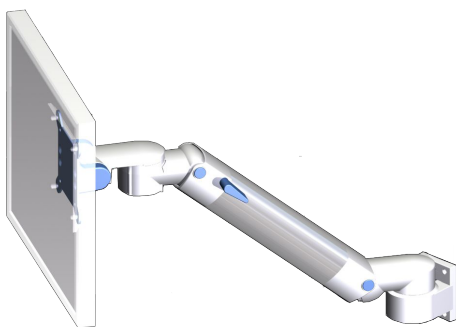
### Easily orient and position your display from an Philips IntelliSave Series / Siesta i / Siesta i Whispa / Siesta i Breasy anesthesia machine

This range of products has been designed to meet all the needs for flat screen fixation experienced by many users in the healthcare sector. Medical monitor arms help create a larger, quiet, ergonomic and individual medical workstation.

However, the medical monitor arms are not all identical. We offer several types of arms, each of which is intended for a specific application: depth adjustment, height adjustment or simply both.

We assist you in choosing the medical monitor arm that best suits your needs. Position your LCD screen at the height appropriate for your viewing comfort.

We have all the solutions and offer the widest choice of professional medical media systems compatible with the widest possible range of medical and computer displays.



# Medical monitor arms, machine mounting Philips Anesthesia Machine

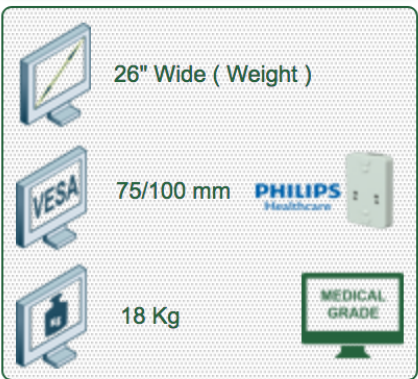
## Medical Monitor Arms adjustable in depth

### OVERVIEW



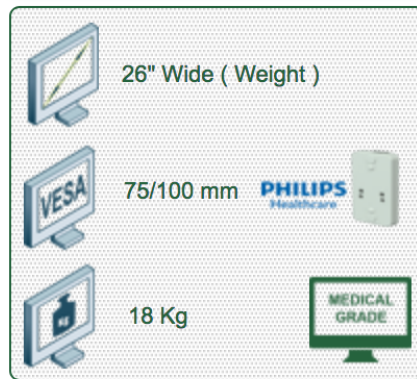
Short pivot medical arm, 100 mm for screen, mounting on anesthesia machine Philips

Part Number: 993.110



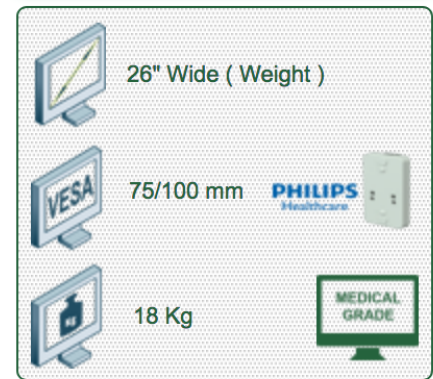
Medical Monitor Arm Horizontal 240 mm, mounting on anesthesia machine Philips

Part Number: 993.504



Medical Monitor Arm Horizontal 300 mm, mounting on anesthesia machine Philips

Part Number: 993.111



# Medical monitor arms, machine mounting Philips Anesthesia Machine

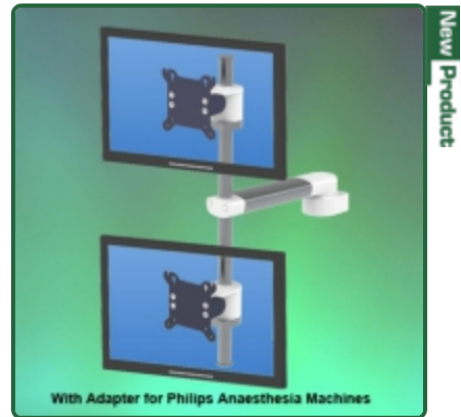
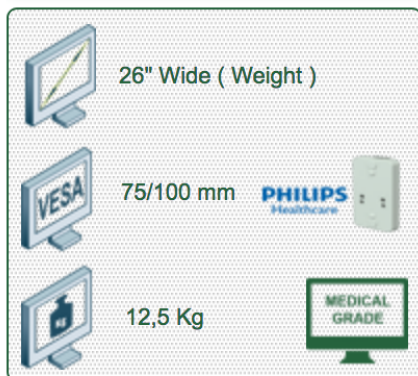
## Medical Monitor Arms adjustable in depth

### OVERVIEW



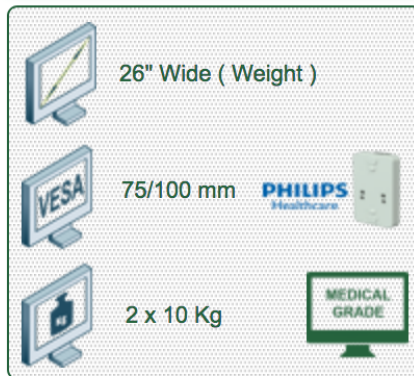
Medical Monitor Arm Horizontal  
2 x 300 mm, mounting on  
anesthesia machine Philips

Part Number: 993.112



Horizontal arm 240 mm equipped  
with a pole for two screens fixing on  
machine  
anesthesia machine Philips

Part Number: 993.843



# Medical monitor arms, machine mounting Philips Anesthesia Machine

## Medical Monitor Arm adjustable in height and depth

### OVERVIEW



New Product



New Product

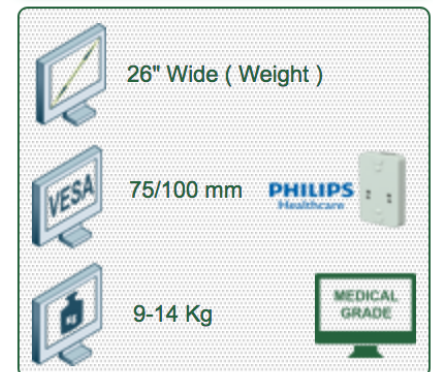
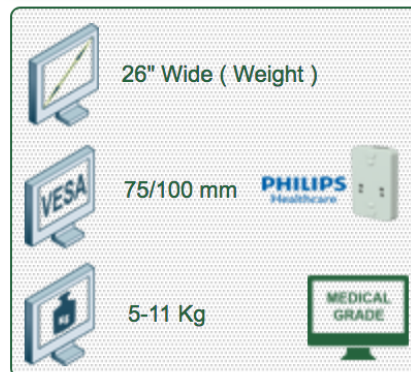
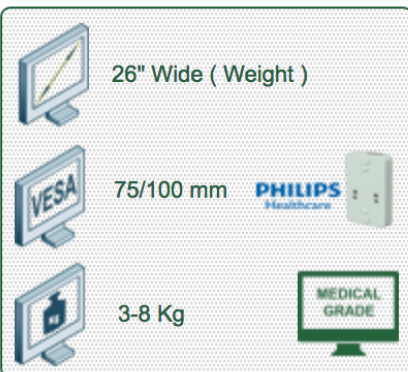


New Product

Medical Monitor Arm, Adjustable in height and depth, 300 mm, mounting on anesthesia machine Philips  
Part Number: 993.113-1

Medical Monitor Arm, Adjustable in height and depth, 300 mm, mounting on anesthesia machine Philips  
Part Number: 993.113-2

Medical Monitor Arm, Adjustable in height and depth, 300 mm, mounting on anesthesia machine Philips  
Part Number: 993.113-3



# Medical monitor arms, machine mounting Philips Anesthesia Machine

## Medical Monitor Arm adjustable in height and depth

### OVERVIEW



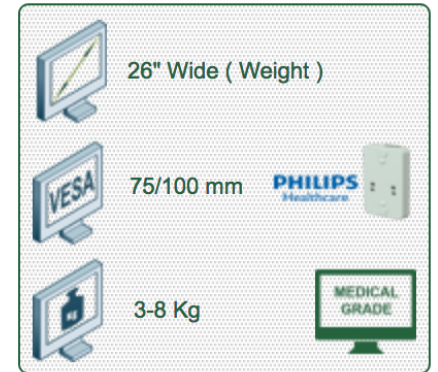
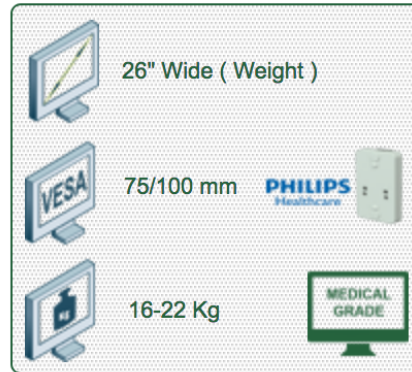
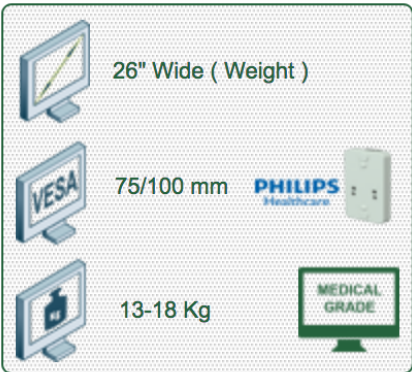
Medical Monitor Arm, Adjustable in height and depth, 300 mm, mounting on anesthesia machine Philips  
Part Number: 993.113-4



Medical Monitor Arm, Adjustable in height and depth, 300 mm, mounting on anesthesia machine Philips  
Part Number: 993.113-5



Medical Monitor Arm, adjustable in height and depth, 300 + 240 mm, mounting on anesthesia machine Philips  
Part Number: 993.540-1



# Medical monitor arms, machine mounting Philips Anesthesia Machine

## Medical Monitor Arm adjustable in height and depth

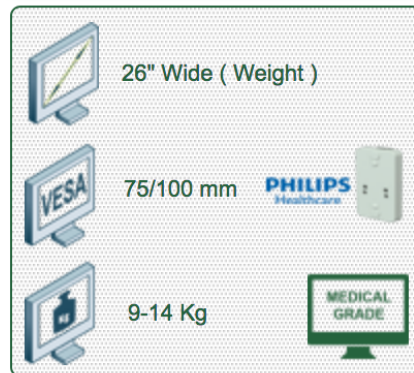
### OVERVIEW



Medical Monitor Arm, adjustable in height and depth, 300 + 240 mm, mounting on anesthesia machine Philips  
Part Number: 993.540-2



Medical Monitor Arm, adjustable in height and depth, 300 + 240 mm, mounting on anesthesia machine Philips  
Part Number: 993.540-3



Medical Monitor Arm, adjustable in height and depth, 300 + 240 mm, mounting on anesthesia machine Philips  
Part Number: 993.540-4





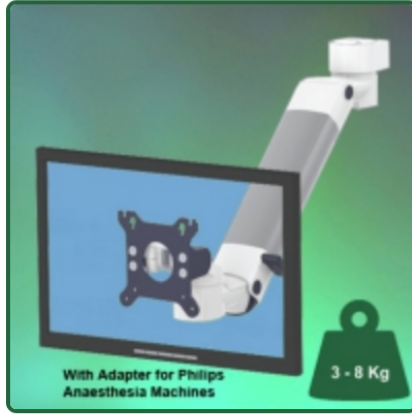
# Medical monitor arms, machine mounting Philips Anesthesia Machine

## Medical Monitor Arm adjustable in height and depth

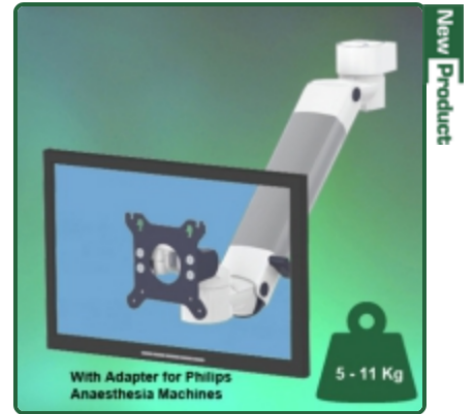
### OVERVIEW



New Product



New Product

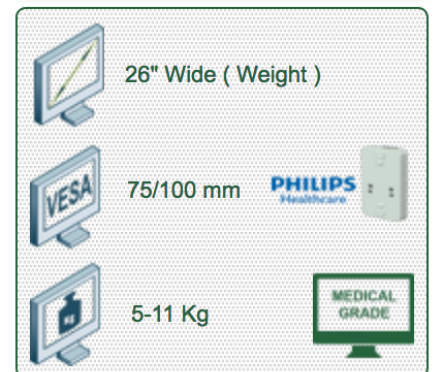
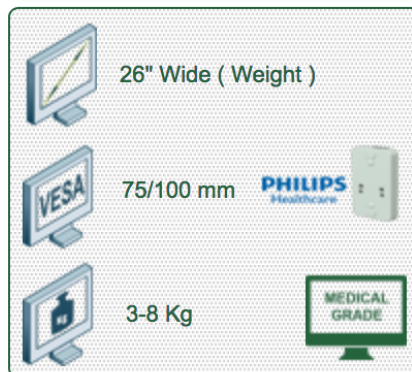


New Product

Medical Monitor Arm, adjustable in height and depth, 300 + 240 mm, mounting on anesthesia machine Philips  
Part Number: 993.540-5

Medical Monitor Arm PH, height and depth adjustable, 300 mm, mounting on anesthesia machine Philips  
Part Number: 993.530-1

Medical Monitor Arm PH, height and depth adjustable, 300 mm, mounting on anesthesia machine Philips  
Part Number: 993.530-2



# Medical monitor arms, machine mounting Philips Anesthesia Machine

## Medical Monitor Arm adjustable in height and depth

### OVERVIEW



New Product



New Product

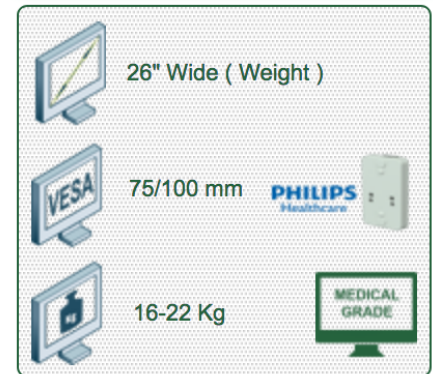
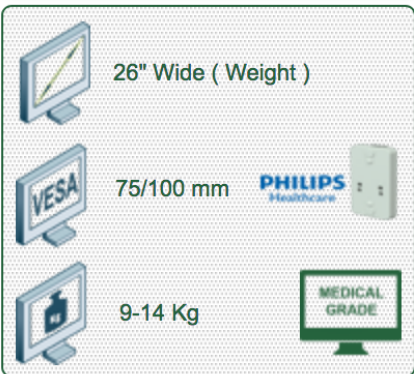


New Product

Medical Monitor Arm PH, height and depth adjustable, 300 mm, mounting on anesthesia machine Philips  
Part Number: 993.530-3

Medical Monitor Arm PH, height and depth adjustable, 300 mm, mounting on anesthesia machine Philips  
Part Number: 993.530-4

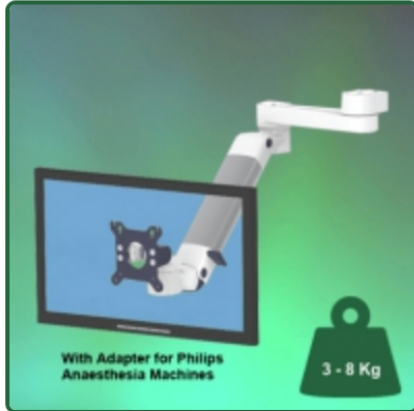
Medical Monitor Arm PH, height and depth adjustable, 300 mm, mounting on anesthesia machine Philips  
Part Number: 993.530-5



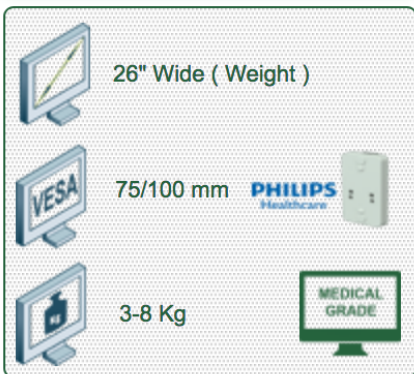
# Medical monitor arms, machine mounting Philips Anesthesia Machine

## Medical Monitor Arm adjustable in height and depth

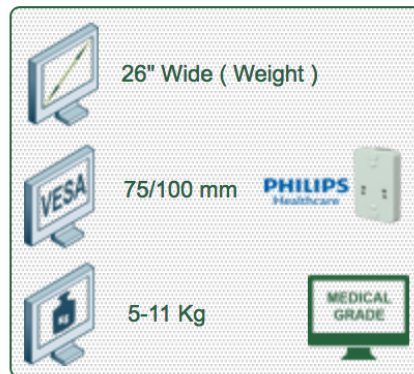
### OVERVIEW



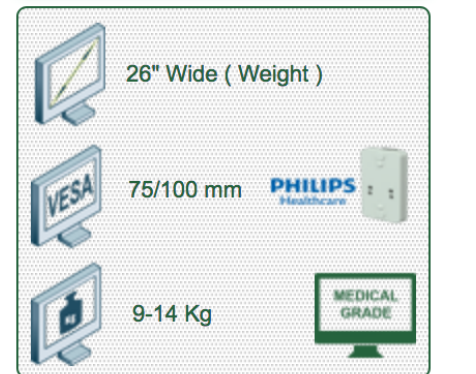
Medical Monitor Arm PH, Adjustable in height and depth, 300 + 240 mm, mounting on anesthesia machine Philips  
Part Number: 993.114-1



Medical Monitor Arm PH, Adjustable in height and depth, 300 + 240 mm, mounting on anesthesia machine Philips  
Part Number: 993.114-2



Medical Monitor Arm PH, Adjustable in height and depth, 300 + 240 mm, mounting on anesthesia machine Philips  
Part Number: 993.114-3



# Medical monitor arms, machine mounting Philips Anesthesia Machine

## Medical Monitor Arm adjustable in height and depth

### OVERVIEW



New Product





New Product

Medical Monitor Arm PH,  
Adjustable in height and depth, 300  
+ 240 mm, mounting on anesthesia  
machine Philips  
Part Number: 993.114-4


Medical Monitor Arm PH,  
Adjustable in height and depth,  
300 + 240 mm, mounting on  
anesthesia machine Philips  
Part Number: 993.114-5


26" Wide ( Weight )

75/100 mm 

13-18 Kg 

26" Wide ( Weight )

75/100 mm 

16-22 Kg 

## Medical monitor arms, machine mounting Philips Anesthesia Machine Mandatory Accessories OVERVIEW

### Mandatory Accessories :

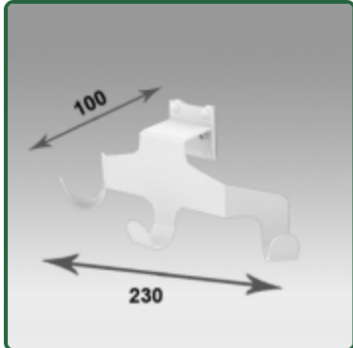


Philips IntelliSave Series/  
Siesta i/ Siesta i Whispa/  
Siesta i Breasy Side Adapter  
Part Number: 993.145

# Medical monitor arms, machine mounting Philips Anesthesia Machine

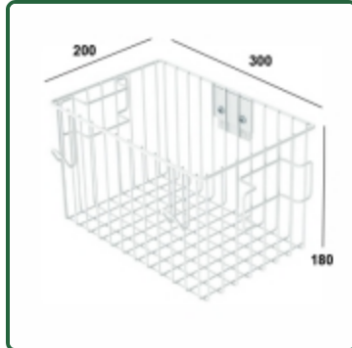
## Optional Accessories

### OVERVIEW



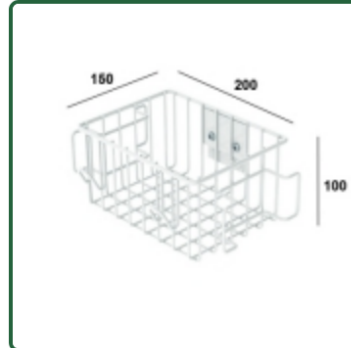
Triple cable hooks, mounting on Wall Rail

Part Number: 999.157



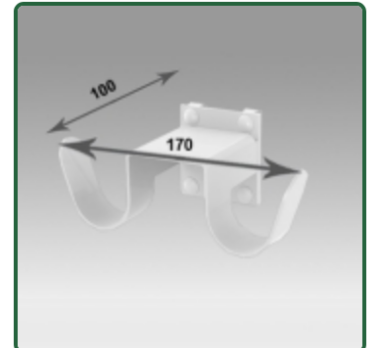
Large Service Basket Mounting on Wall Rail

Part Number: 999.154



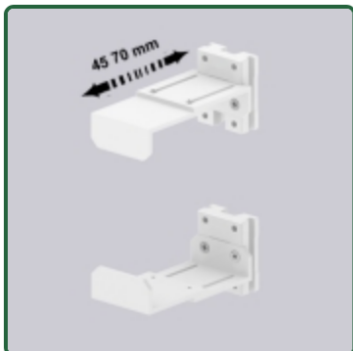
Small Service Basket Mounting on Wall Rail

Part Number: 999.155



Double cable hooks Mounting on Wall Rail

Part Number: 999.156



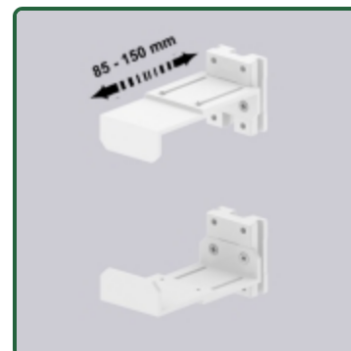
CPU holder Adjustable  
45-70 mm  
mounting on Wall Rail

Part Number: 999.158



CPU holder Adjustable  
60-100 mm  
mounting on Wall Rail

Part Number: 999.159



CPU holder Adjustable  
85-150 mm  
mounting on Wall Rail

Part Number: 999.160



CPU holder Adjustable  
130-170 mm mounting on  
Wall Rail

Part Number: 999.161

# Medical monitor arms, machine mounting Philips Anesthesia Machine

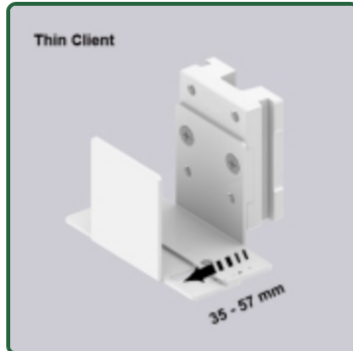
## Optional Accessories

### OVERVIEW



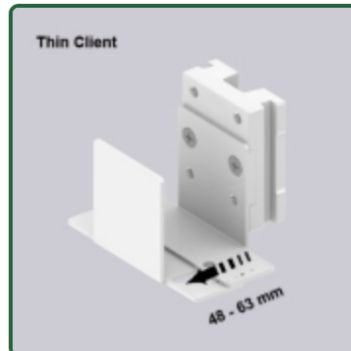
CPU holder Adjustable  
170-215 mm mounting on  
Wall Rail

Part Number: 999.162



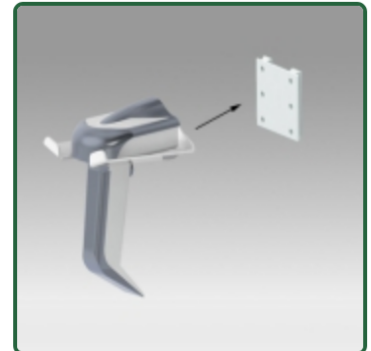
Thin Client  
Universal Stand Adjustable  
35-57 mm mounting on Wall  
Rail

Part Number: 999.163

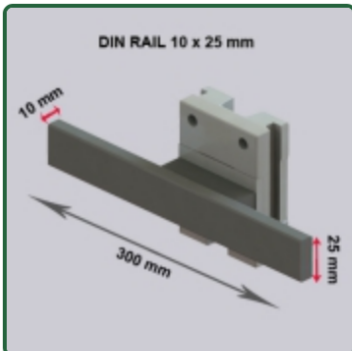


Thin Client  
Universal Stand Adjustable  
48-63 mm mounting on Wall  
Rail

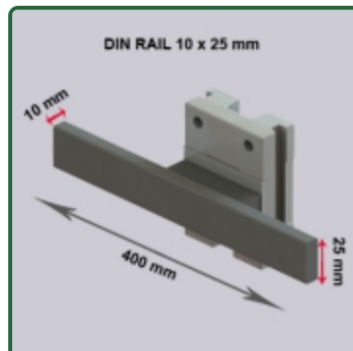
Part Number: 999.164



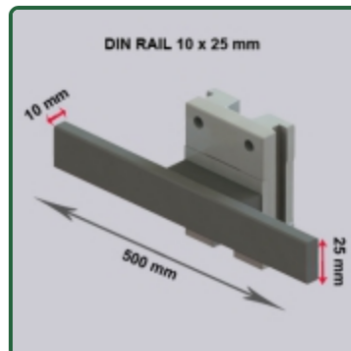
Holder for barcode hand  
shower  
Mounting on Wall Rail  
Part Number: 999.174



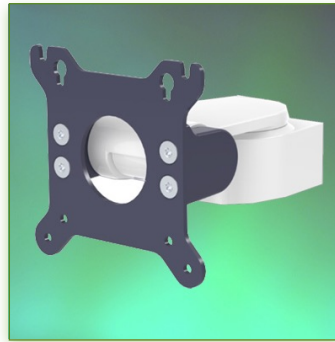
Din Rail 10 x 25 mm.  
Length of 300 mm  
Mounting on Wall Rail  
Référence: 999.169



Din Rail 10 x 25 mm.  
Length of 400 mm  
Mounting on Wall Rail  
Référence: 999.170



Din Rail 10 x 25 mm.  
Length of 500 mm  
Mounting on Wall Rail  
Référence: 999.171



Display Compatibility: 26" Wide ( Weight)  
Supported Weight: 18 Kg  
VESA standard: 75 / 100 mm

Up to 26" Wide ( Weight)  
75/100 mm  
18 Kg  
**MEDICAL GRADE**

Do not hesitate to contact us if you have any questions about this product.

**Warranty: 5 years**

000.993.110

Graphite Grey and White

On Measure

= Depending on the elements

993.110

**100mm Short Pivot Medical Arm for Display, Mounting on Philips IntelliSave Series/ Siesta i/ Siesta i Whispa/ Siesta i Breasy Anesthesia Machine**

This mini medical arm with short pivot of 100 mm makes it possible to fix, direct and adjust perfectly the LCD screen. It is coated with an anti-microbial agent offering hygiene and cleaning down to the last detail.

Its modern design has been specially designed for healthcare environments.

**Technical specifications:**

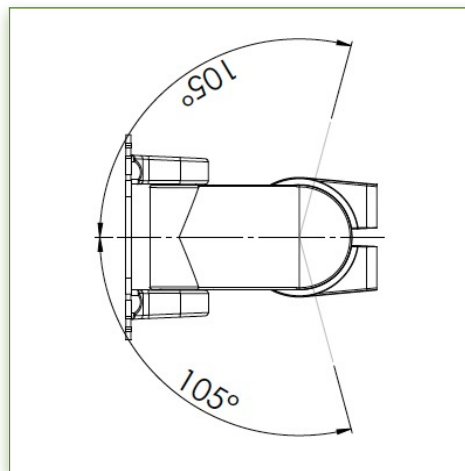
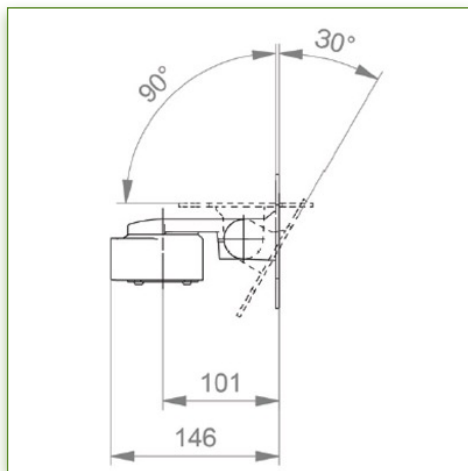
- \* Integrated cable channel
- \* Mounting on Philips IntelliSave Series Anesthesia / Siesta i/ Siesta i Whispa/ Siesta i Breasy Machine . Side adapter included,
- \* This mini swivel arm simply fits into the adapter rail for Philips machine to then adjust to the desired height and fixed.
- \* Rotary head.
- \* The head of this mini arm complies with the screen mounting standard: VESA MIS-D 75 mm and 100 mm.
- \* Compatible with screens whose weight does not exceed 18 Kg.
- \* Touch screen stability.
- \* Screen tilt: 50° down and 100° up
- \* Screen rotation: 105° to the right, 105° to the left. \* Total length 146 mm
- \* Compatible with multimedia terminals (TMM)
- \* Colour RAL 7024 (Graphite grey) and White
- \* All our medical arms are in conformity: CE, ROHS, Medical Grade, Regulations MDD 93/42 ECC.
- \* Warranty: 5 years





Display Compatibility: 26" Wide ( Weight)  
 Supported Weight: 18 Kg  
 VESA standard: 75 / 100 mm

Up to 26" Wide ( Weight)  
 75/100 mm  
 18 Kg



Do not hesitate to contact us if you have any questions about this product.

**Warranty: 5 years**

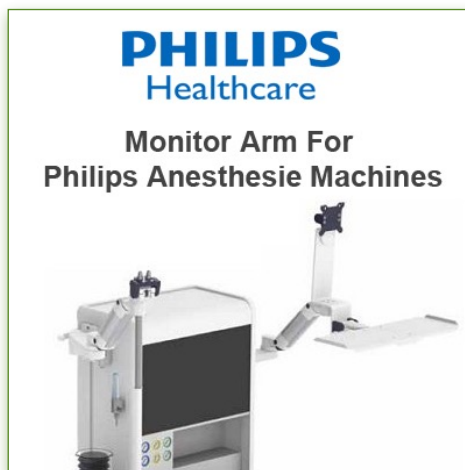
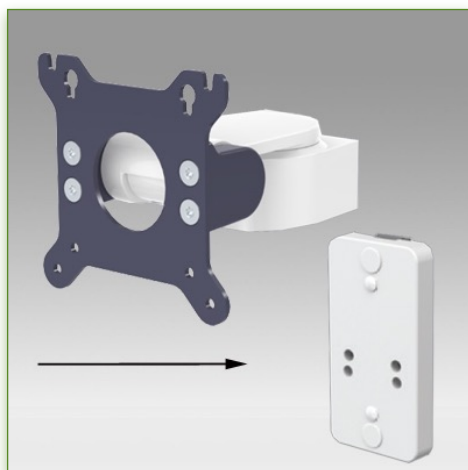
000.993.110

Graphite Grey and White

On Measure

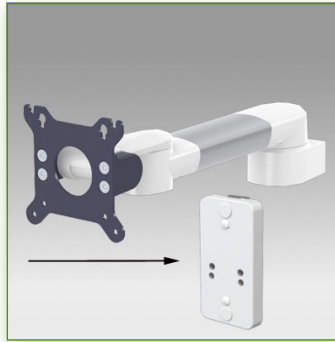
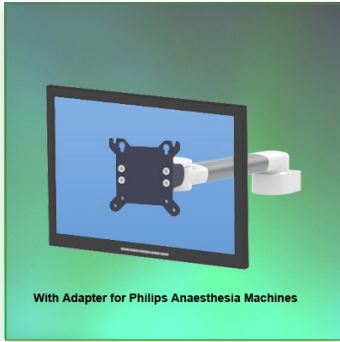
= Depending on the elements

993.110



**Anti-bacterial properties:**

IT medical arms are now designed with Microban antibacterial protection, a revolutionary treatment that guarantees optimal hygiene. IT medical arms integrate Microban and other antibacterial agents into all medical products. It inhibits the growth of bacteria of all types. This is not a surface treatment. It is 100% in the totality of the product. It does not alter the physico-mechanical properties of the medical arm lift system. Simulations over 30 years show that 100% of the antibacterial properties are maintained. All medical articulated arms incorporate Microban. Microban is the world's leading provider of anti-bacterial solutions. It has been successfully applied for more than 35 years in a wide range of products used in the hospital, construction and food industries.



Display Compatibility: 26" Wide ( Weight)  
Supported Weight: 18 Kg  
VESA standard: 75 / 100 mm

Up to 26" Wide ( Weight)  
75/100 mm  
18 Kg  
MEDICAL GRADE

Do not hesitate to contact us if you have any questions about this product.

Warranty: 5 years

000.993.504

Graphite Grey and White

On Measure

= Depending on the elements

993.504

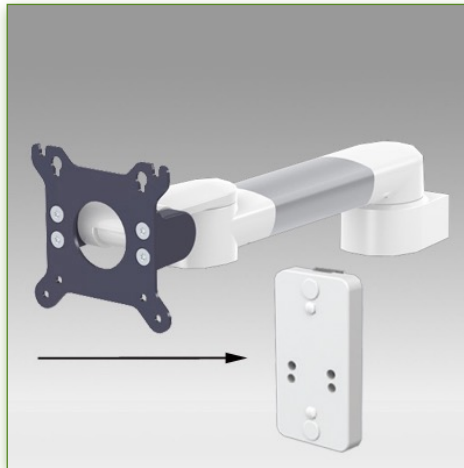
**240 mm Horizontal Medical Monitor Arm, Mounting on Philips IntelliSave Series/ Siesta i/ Siesta i Whispa/ Siesta i Breasy Anesthesia Machine**

This 240 mm Horizontal Arm allows the LCD screen to be perfectly fixed, oriented and adjusted. It is coated with an anti-microbial agent offering hygiene and cleaning down to the last detail. Its modern design has been specially designed for healthcare environments.

**Technical specifications:**

- \* Integrated cable channel
- \* Mounting on Philips IntelliSave Series Anesthesia / Siesta i/ Siesta i Whispa/ Siesta i Breasy Machine . Side adapter included,
- \* This swivel arm simply fits into the adapter rail for Philips machine to then adjust to the desired height and fixed.
- \* It has no height adjustment.
- \* The head of this arm complies with the screen mounting standard: VESA MIS-D 75 mm and 100 mm. Rotary head.
- \* Compatible with screens whose weight does not exceed 18 Kg.
- \* Touch screen stability.
- \* Screen tilt: 50° down and 100° up
- \* Screen rotation: 110° right, 110° left.
- \* Arm rotation: 105° to the right, 105° to the left.
- \* Total length 311 mm
- \* Compatible with multimedia terminals (TMM)
- \* Colour RAL 7024 (Graphite grey) and White
- \* All our medical arms are in conformity: CE, ROHS, Medical Grade, Regulations MDD 93/42 ECC.
- \* Warranty: 5 years

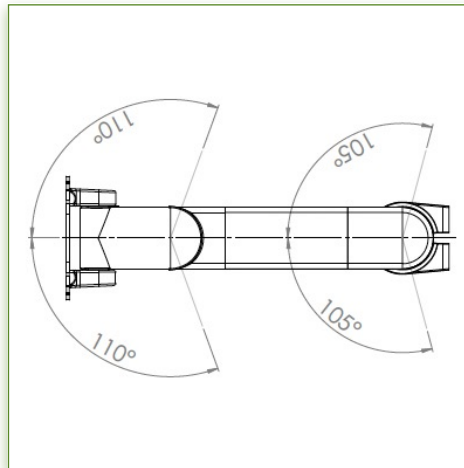
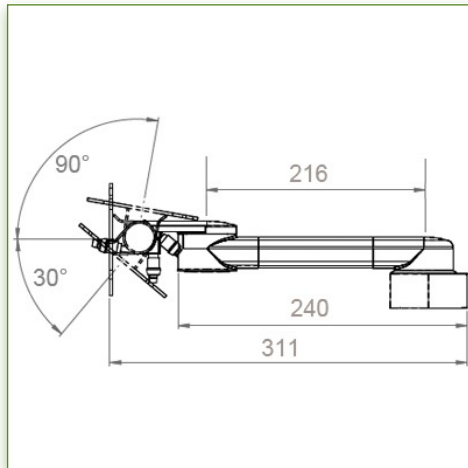
Note: This arm can also be installed on one of our medical columns or trolleys.



Display Compatibility: 26" Wide ( Weight)  
Supported Weight: 18 Kg  
VESA standard: 75 / 100 mm

Up to 26" Wide ( Weight)  
75/100 mm  
18 Kg

**MEDICAL GRADE**



Do not hesitate to contact us if you have any questions about this product.

**Warranty: 5 years**

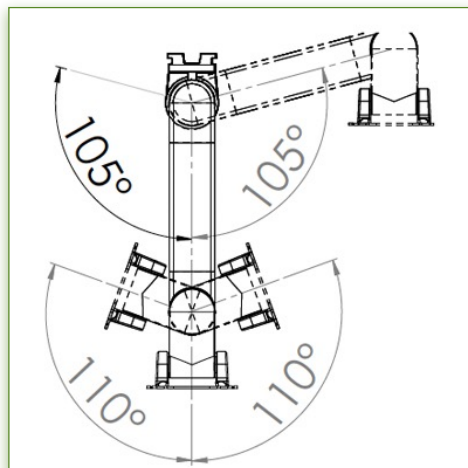
000.993.504

**Graphite Grey and White**

**On Measure**

= Depending on the elements

**993.504**



**PHILIPS**  
Healthcare

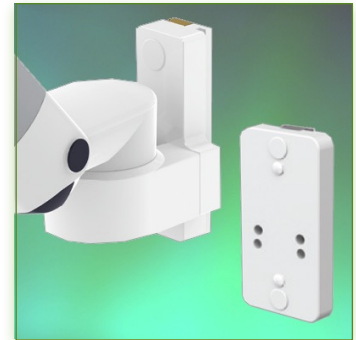
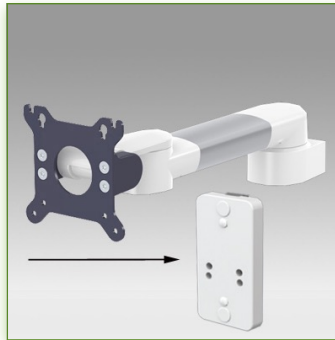
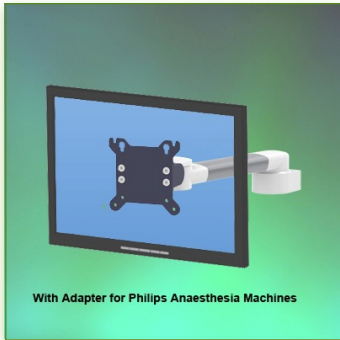
**Monitor Arm For Philips Anesthesia Machines**

**Anti-bacterial properties:**

IT medical arms are now designed with Microban antibacterial protection, a revolutionary treatment that guarantees optimal hygiene. IT medical arms integrate Microban and other antibacterial agents into all medical products. It inhibits the growth of bacteria of all types. This is not a surface treatment.

It is 100% in the totality of the product. It does not alter the physico-mechanical properties of the medical arm lift system. Simulations over 30 years show that 100% of the antibacterial properties are maintained.

All medical articulated arms incorporate Microban. Microban is the world's leading provider of anti-bacterial solutions. It has been successfully applied for more than 35 years in a wide range of products used in the hospital, construction and food industries.



Display Compatibility: 26" Wide ( Weight)  
Supported Weight: 18 Kg  
VESA standard: 75 / 100 mm

Do not hesitate to contact us if you have any questions about this product.

Warranty: 5 years

000.993.111

Graphite Grey and White

On Measure

= Depending on the elements

993.111

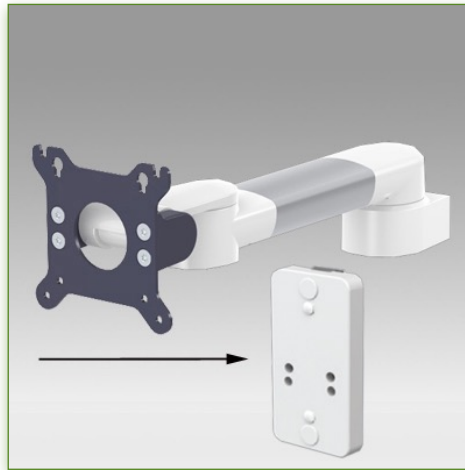
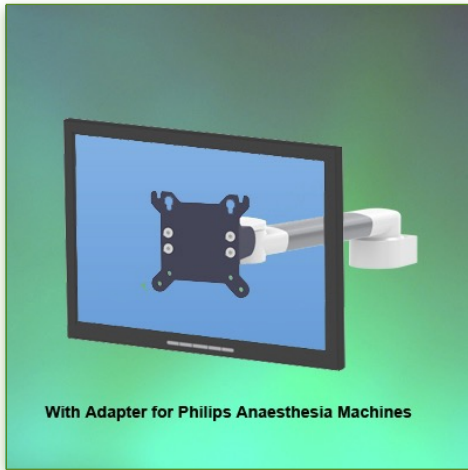
**300 mm Horizontal Medical Monitor Arm, Mounting on Philips IntelliSave Series/ Siesta i/ Siesta i Whispa/ Siesta i Breasy Anesthesia Machine**

This 300 mm Horizontal Arm allows the LCD screen to be perfectly fixed, oriented and adjusted. It is coated with an anti-microbial agent offering hygiene and cleaning down to the last detail. Its modern design has been specially designed for healthcare environments.

**Technical specifications:**

- \* Integrated cable channel
- \* Mounting on Philips IntelliSave Series Anesthesia / Siesta i/ Siesta i Whispa/ Siesta i Breasy Machine . Side adapter included,
- \* This swivel arm simply fits into the adapter rail for Philips machine to then adjust to the desired height and fixed.
- \* It has no height adjustment.
- \* The head of this arm complies with the screen mounting standard: VESA MIS-D 75 mm and 100 mm. Rotary head.
- \* Compatible with screens whose weight does not exceed 18 Kg.
- \* Touch screen stability.
- \* Screen tilt: 50° down and 100° up \* Screen rotation: 110° right, 110° left.
- \* Arm rotation: 105° to the right, 105° to the left.
- \* Total length 371 mm
- \* Compatible with multimedia terminals (TMM)
- \* Colour RAL 7024 (Graphite grey) and White
- \* All our medical arms are in conformity: CE, ROHS, Medical Grade, Regulations MDD 93/42 ECC.
- \* Warranty: 5 years

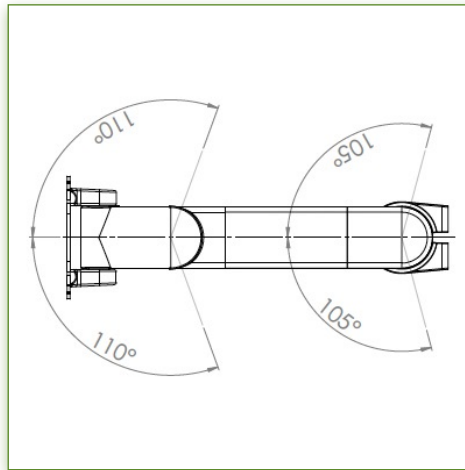
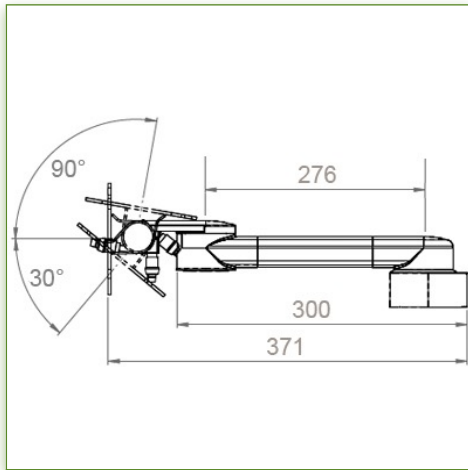
Note: This arm can also be installed on one of our medical columns or trolleys.



Display Compatibility: 26" Wide ( Weight)  
Supported Weight: 18 Kg  
VESA standard: 75 / 100 mm

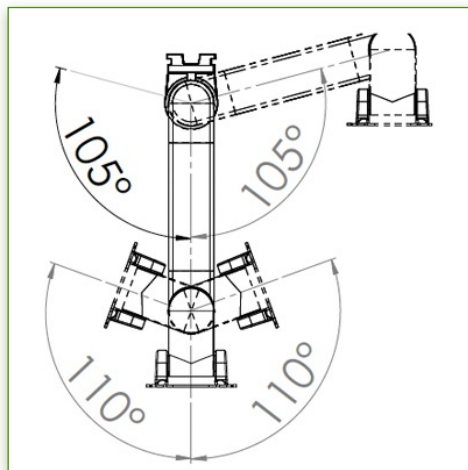
Up to 26" Wide ( Weight)  
75/100 mm  
18 Kg

**MEDICAL GRADE**



Do not hesitate to contact us if you have any questions about this product.

- Warranty: 5 years**
- 000.993.111
- Graphite Grey and White
- On Measure
- = Depending on the elements
- 993.111

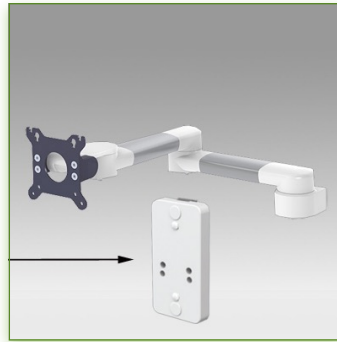
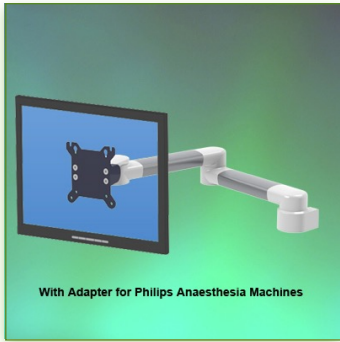


**PHILIPS**  
Healthcare

**Monitor Arm For Philips Anesthésie Machines**

**Anti-bacterial properties:**

IT medical arms are now designed with Microban antibacterial protection, a revolutionary treatment that guarantees optimal hygiene. IT medical arms integrate Microban and other antibacterial agents into all medical products. It inhibits the growth of bacteria of all types. This is not a surface treatment. It is 100% in the totality of the product. It does not alter the physico-mechanical properties of the medical arm lift system. Simulations over 30 years show that 100% of the antibacterial properties are maintained. All medical articulated arms incorporate Microban. Microban is the world's leading provider of anti-bacterial solutions. It has been successfully applied for more than 35 years in a wide range of products used in the hospital, construction and food industries.



Display Compatibility: 26" Wide ( Weight)  
Supported Weight: 12,5 Kg  
VESA standard: 75 / 100 mm

Up to 26" Wide ( Weight)  
75/100 mm  
12,5 Kg

Do not hesitate to contact us if you have any questions about this product.

Warranty: 5 years

000.993.112

Graphite Grey and White

On Measure

= Depending on the elements

993.112

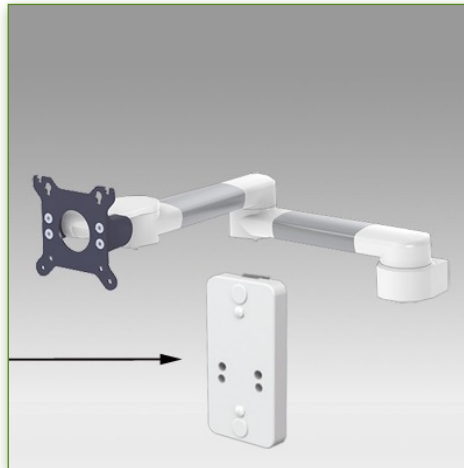
**2 x 300 mm Horizontal Medical Monitor Arm, Mounting on Philips IntelliSave Series/ Siesta i/ Siesta i Whispa/ Siesta i Breasy Anesthesia Machine**

This 2 x 300 mm Horizontal Arm allows the LCD screen to be perfectly fixed, oriented and adjusted. It is coated with an anti-microbial agent offering hygiene and cleaning down to the last detail. Its modern design has been specially designed for healthcare environments.

**Technical specifications:**

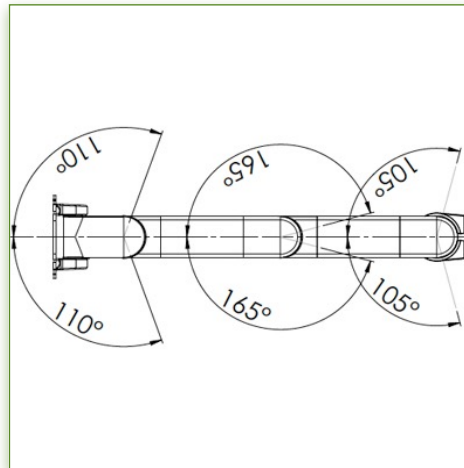
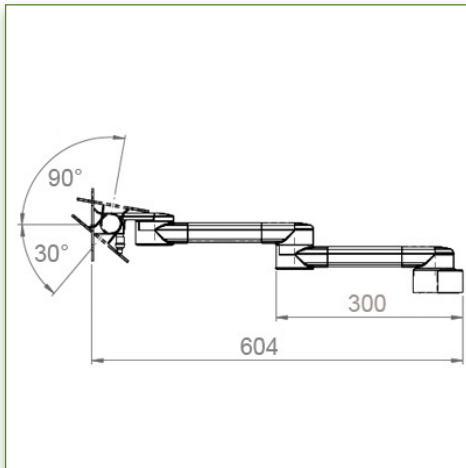
- \* Integrated cable channel
- \* Mounting on Philips IntelliSave Series Anesthesia / Siesta i/ Siesta i Whispa/ Siesta i Breasy Machine . Side adapter included,
- \* This swivel arm simply fits into the adapter rail for Philips machine to then adjust to the desired height and fixed.
- \* It has no height adjustment.
- \* The head of this arm complies with the screen mounting standard: VESA MIS-D 75 mm and 100 mm. Rotary head.
- \* Compatible with screens whose weight does not exceed 12,5 Kg.
- \* Touch screen stability.
- \* Screen tilt: 50° down and 100° up \* Screen rotation: 110° right, 110° left.
- \* Arm rotation: 105° to the right, 105° to the left.
- \* Total length 604 mm
- \* Compatible with multimedia terminals (TMM)
- \* Colour RAL 7024 (Graphite grey) and White
- \* All our medical arms are in conformity: CE, ROHS, Medical Grade, Regulations MDD 93/42 ECC.
- \* Warranty: 5 years

Note: This arm can also be installed on one of our medical columns or trolleys.



Display Compatibility: 26" Wide ( Weight)  
 Supported Weight: 12,5 Kg  
 VESA standard: 75 / 100 mm

Up to 26" Wide ( Weight)  
 75/100 mm  
 12,5 Kg



Do not hesitate to contact us if you have any questions about this product.

- Warranty: 5 years
- 000.993.112
- Graphite Grey and White
- On Measure
- = Depending on the elements
- 993.112



**PHILIPS**  
 Healthcare

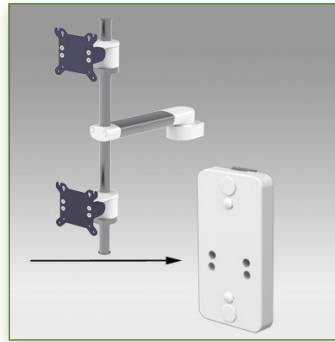
**Monitor Arm For Philips Anesthesia Machines**

**Anti-bacterial properties:**

IT medical arms are now designed with Microban antibacterial protection, a revolutionary treatment that guarantees optimal hygiene. IT medical arms integrate Microban and other antibacterial agents into all medical products. It inhibits the growth of bacteria of all types. This is not a surface treatment.

It is 100% in the totality of the product. It does not alter the physico-mechanical properties of the medical arm lift system. Simulations over 30 years show that 100% of the antibacterial properties are maintained.

All medical articulated arms incorporate Microban. Microban is the world's leading provider of anti-bacterial solutions. It has been successfully applied for more than 35 years in a wide range of products used in the hospital, construction and food industries.



Display Compatibility: 26" Wide ( Weight)  
Supported Weight: 2 x 10 Kg  
VESA standard: 75 / 100 mm

**240 mm Horizontal Medical Arm with pole for two screens Mounting on Philips IntelliSave Series/ Siesta i/ Siesta i Whispa/ Siesta i Breasy Anesthesia Machine**

This 240 mm Horizontal Medical Arm equipped with a pole allows two LCD screens to be perfectly fixed, oriented and adjusted.

It is coated with an anti-microbial agent offering hygiene and cleaning down to the last detail. Its modern design has been specially designed for healthcare environments.

**Technical specifications:**

- \* Integrated cable channel
- \* Mounting on Philips IntelliSave Series Anesthesia / Siesta i/ Siesta i Whispa/ Siesta i Breasy Machine . Side adapter included,
- \* This arm simply fits into the adapter rail for Dräger machines and then adjust to the desired and fixed height.
- \* Rotary head.
- \* The Ball joint is conform to the screen mounting standard: VESA MIS-D 75 mm and 100 mm.
- \* Compatible with screens whose weight does not exceed 10 Kg either - 20 Kg total.
- \* Touch screen stability. \* Screen tilt: 20° down and 20° up
- \* Screen rotation: 45° to the right, 45° to the left.
- \* Arm rotation: 45° to the right, 45° to the left. \* Total length 387 mm
- \* Compatible with multimedia terminals (TMM)
- \* Colour RAL 7024 (Graphite grey) and White
- \* All our medical arms are in conformity: CE, ROHS, Medical Grade, Regulations MDD 93/42 ECC.
- \* Warranty: 5 years

Note: This arm can also be installed on one of our medical columns or trolleys.

Up to 26" Wide ( Weight)  
75/100 mm  
2 x 10 Kg

Do not hesitate to contact us if you have any questions about this product.

**Warranty: 5 years**

000.993.843

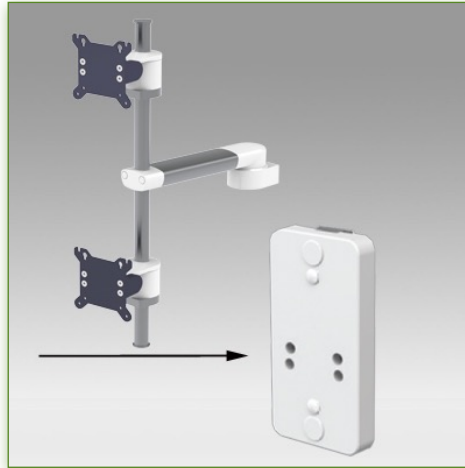
Graphite Grey and White

On Measure

= Depending on the elements

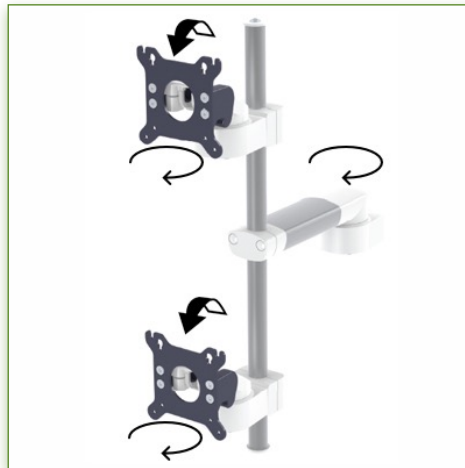
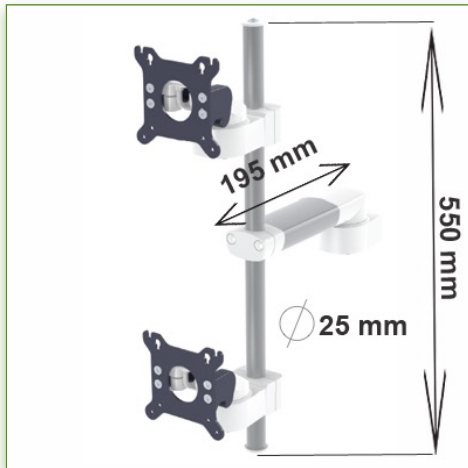
993.843





Display Compatibility: 26" Wide ( Weight)  
Supported Weight: 2 x 10 Kg  
VESA standard: 75 / 100 mm

Up to 26" Wide ( Weight)  
75/100 mm  
2 x 10 Kg



Do not hesitate to contact us if you have any questions about this product.

**Warranty: 5 years**

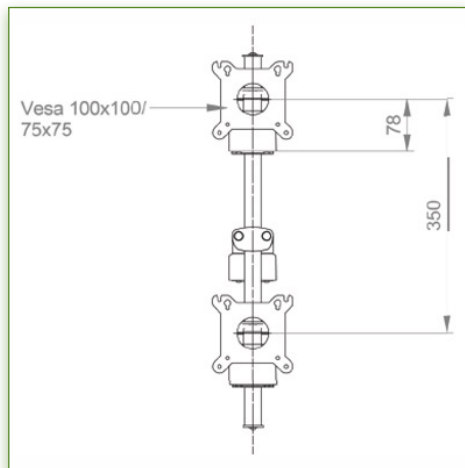
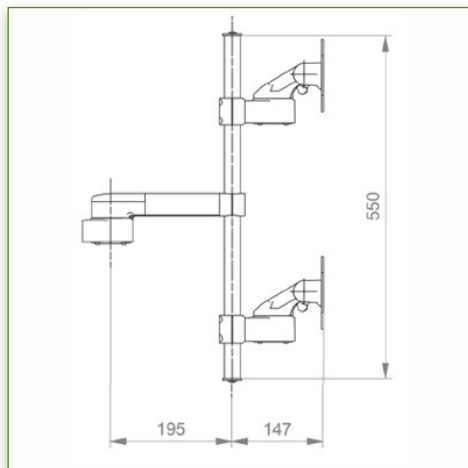
000.993.843

**Graphite Grey and White**

**On Measure**

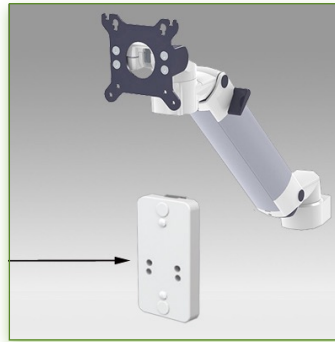
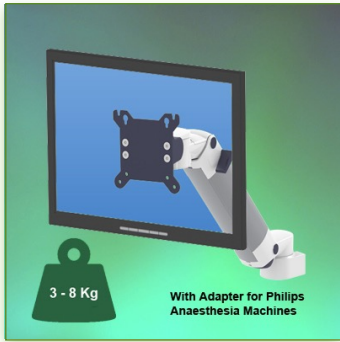
= Depending on the elements

**993.843**



**Anti-bacterial properties:**

IT medical arms are now designed with Microban antibacterial protection, a revolutionary treatment that guarantees optimal hygiene. IT medical arms integrate Microban and other antibacterial agents into all medical products. It inhibits the growth of bacteria of all types. This is not a surface treatment. It is 100% in the totality of the product. It does not alter the physico-mechanical properties of the medical arm lift system. Simulations over 30 years show that 100% of the antibacterial properties are maintained. All medical articulated arms incorporate Microban. Microban is the world's leading provider of anti-bacterial solutions. It has been successfully applied for more than 35 years in a wide range of products used in the hospital, construction and food industries.



Display Compatibility: 26" Wide ( Weight)  
 Supported Weight: 3-8 Kg  
 VESA standard: 75 / 100 mm

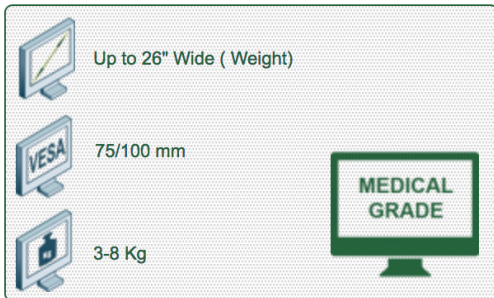
**300 mm Height Adjustable Medical Arm, Mounting on Philips IntelliSave Series/ Siesta i/ Siesta i Whispa/ Siesta i Breasy Anesthesia Machine**

This 300 mm Horizontal Medical Arm with gas spring height adjustment allows the LCD screen to be perfectly fixed, oriented and adjusted. It is coated with an anti-microbial agent offering hygiene and cleaning down to the last detail. Its modern design has been specially designed for healthcare environments.

**Technical specifications:**

- \* Integrated cable channel
- \* Equipotential bonding
- \* Mounting on Philips IntelliSave Series Anesthesia / Siesta i/ Siesta i Whispa/ Siesta i Breasy Machine . Side adapter included,
- \* This arm simply fits into the adapter rail for Philips machine to then adjust to the desired height and fixed.
- \* It has a safety stop button for the height adjustment, which allows the arm to remain in the chosen position.
- \* The head of this arm complies with the screen mounting standard: VESA MIS-D 75 mm and 100 mm.
- \* Compatible with screens whose weight does not exceed 3-8 Kg.
- \* Touch screen stability.
- \* Screen tilt: 50° down and 100° up \* Screen rotation: 110° right, 110° left.
- \* Arm rotation: 105° to the right, 105° to the left.
- \* Height adjustment: 45° down, 45° up
- \* Total length 576 mm
- \* Compatible with multimedia terminals (TMM)
- \* Colour RAL 7024 (Graphite grey) and White
- \* All our medical arms are in conformity: CE, ROHS, Medical Grade, Regulations MDD 93/42 ECC.
- \* Warranty: 5 years

Note: This arm can also be installed on one of our medical columns or trolleys.



Do not hesitate to contact us if you have any questions about this product.

Warranty: 5 years

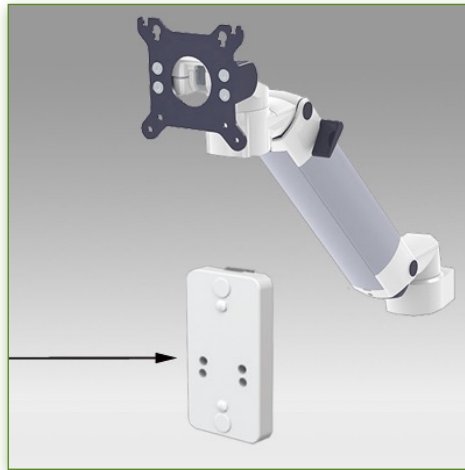
000.993.113-1

Graphite Grey and White

On Measure

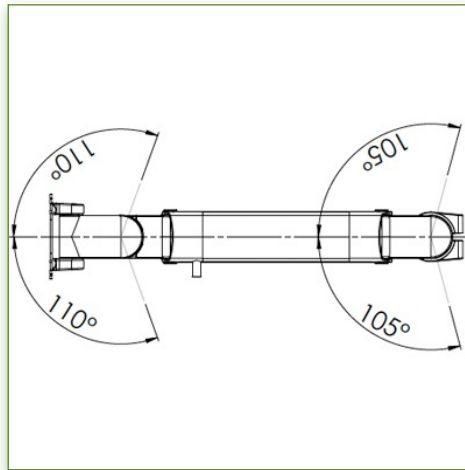
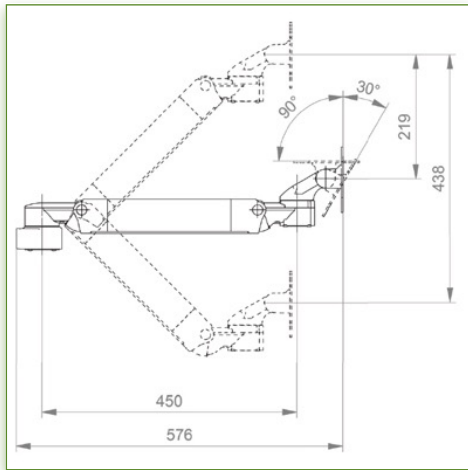
= Depending on the elements

993.113-1



Display Compatibility: 26" Wide ( Weight)  
 Supported Weight: 3-8 Kg  
 VESA standard: 75 / 100 mm

Up to 26" Wide ( Weight)  
 75/100 mm  
 3-8 Kg



Do not hesitate to contact us if you have any questions about this product.

**Warranty: 5 years**

000.993.113-1

Graphite Grey and White

On Measure

= Depending on the elements

993.113-1

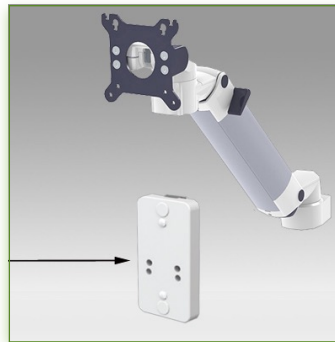
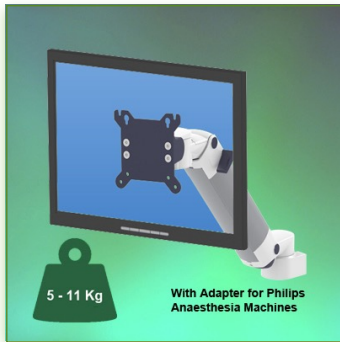


**PHILIPS**  
 Healthcare

**Monitor Arm For Philips Anaesthesia Machines**

**Anti-bacterial properties:**

IT medical arms are now designed with Microban antibacterial protection, a revolutionary treatment that guarantees optimal hygiene. IT medical arms integrate Microban and other antibacterial agents into all medical products. It inhibits the growth of bacteria of all types. This is not a surface treatment. It is 100% in the totality of the product. It does not alter the physico-mechanical properties of the medical arm lift system. Simulations over 30 years show that 100% of the antibacterial properties are maintained. All medical articulated arms incorporate Microban. Microban is the world's leading provider of anti-bacterial solutions. It has been successfully applied for more than 35 years in a wide range of products used in the hospital, construction and food industries.



Display Compatibility: 26" Wide ( Weight)  
 Supported Weight: 5-11 Kg  
 VESA standard: 75 / 100 mm

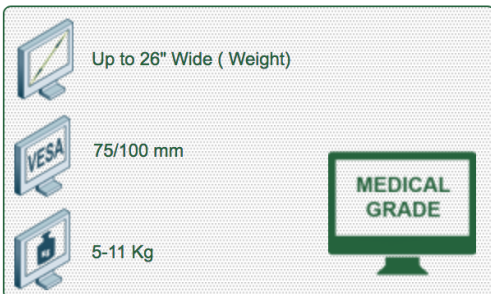
**300 mm Height Adjustable Medical Arm, Mounting on Philips IntelliSave Series/ Siesta i/ Siesta i Whispa/ Siesta i Breasy Anesthesia Machine**

This 300 mm Horizontal Medical Arm with gas spring height adjustment allows the LCD screen to be perfectly fixed, oriented and adjusted. It is coated with an anti-microbial agent offering hygiene and cleaning down to the last detail. Its modern design has been specially designed for healthcare environments.

**Technical specifications:**

- \* Integrated cable channel \* Equipotential bonding
- \* Mounting on Philips IntelliSave Series Anesthesia / Siesta i/ Siesta i Whispa/ Siesta i Breasy Machine . Side adapter included,
- \* This arm simply fits into the adapter rail for Philips machine to then adjust to the desired height and fixed.
- \* It has a safety stop button for the height adjustment, which allows the arm to remain in the chosen position.
- \* The head of this arm complies with the screen mounting standard: VESA MIS-D 75 mm and 100 mm.
- \* Compatible with screens whose weight does not exceed 5-11 Kg.
- \* Touch screen stability.
- \* Screen tilt: 50° down and 100° up \* Screen rotation: 110° right, 110° left.
- \* Arm rotation: 105° to the right, 105° to the left.
- \* Height adjustment: 45° down, 45° up
- \* Total length 576 mm
- \* Compatible with multimedia terminals (TMM)
- \* Colour RAL 7024 (Graphite grey) and White
- \* All our medical arms are in conformity: CE, ROHS, Medical Grade, Regulations MDD 93/42 ECC.
- \* Warranty: 5 years

Note: This arm can also be installed on one of our medical columns or trolleys.



Do not hesitate to contact us if you have any questions about this product.

**Warranty: 5 years**

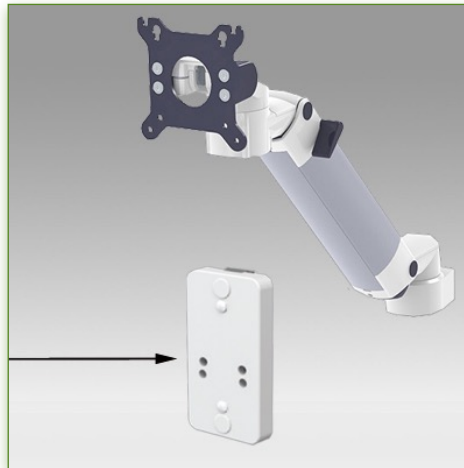
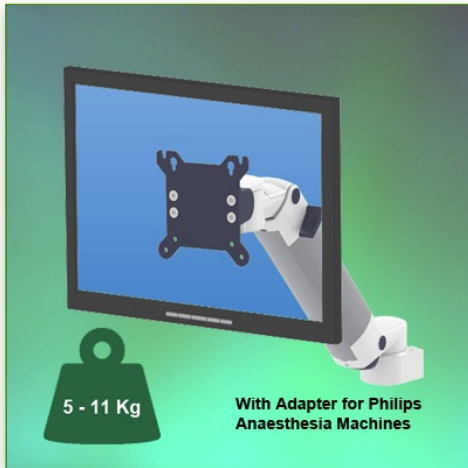
000.993.113-2

Graphite Grey and White

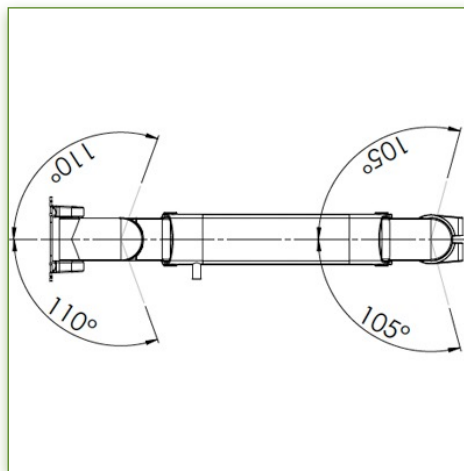
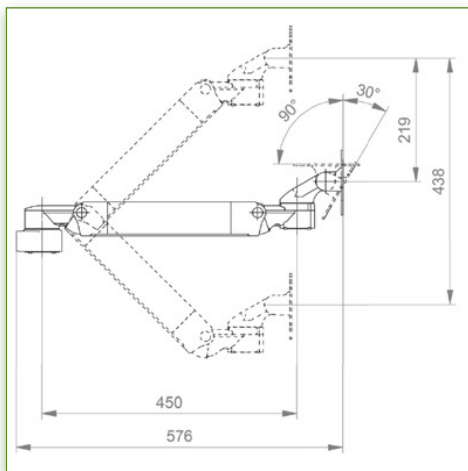
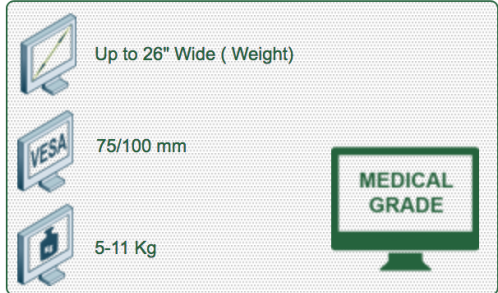
On Measure

= Depending on the elements

993.113-2

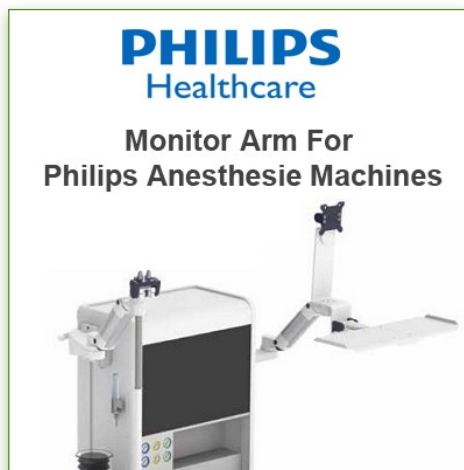


Display Compatibility: 26" Wide ( Weight)  
 Supported Weight: 5-11 Kg  
 VESA standard: 75 / 100 mm



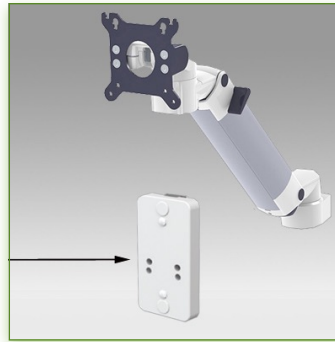
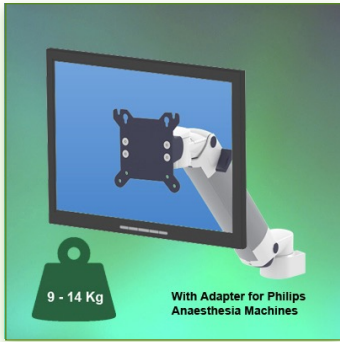
Do not hesitate to contact us if you have any questions about this product.

- Warranty: 5 years
- 000.993.113-2
- Graphite Grey and White
- On Measure
- = Depending on the elements
- 993.113-2



**Anti-bacterial properties:**

IT medical arms are now designed with Microban antibacterial protection, a revolutionary treatment that guarantees optimal hygiene. IT medical arms integrate Microban and other antibacterial agents into all medical products. It inhibits the growth of bacteria of all types. This is not a surface treatment. It is 100% in the totality of the product. It does not alter the physico-mechanical properties of the medical arm lift system. Simulations over 30 years show that 100% of the antibacterial properties are maintained. All medical articulated arms incorporate Microban. Microban is the world's leading provider of anti-bacterial solutions. It has been successfully applied for more than 35 years in a wide range of products used in the hospital, construction and food industries.



Display Compatibility: 26" Wide ( Weight)  
 Supported Weight: 5-11 Kg  
 VESA standard: 75 / 100 mm

Jusque 26" Wide ( Poids )  
 75/100 mm  
 9-14 Kg

Do not hesitate to contact us if you have any questions about this product.

**Warranty: 5 years**

000.993.113-3

Graphite Grey and White

On Measure

= Depending on the elements

993.113-3

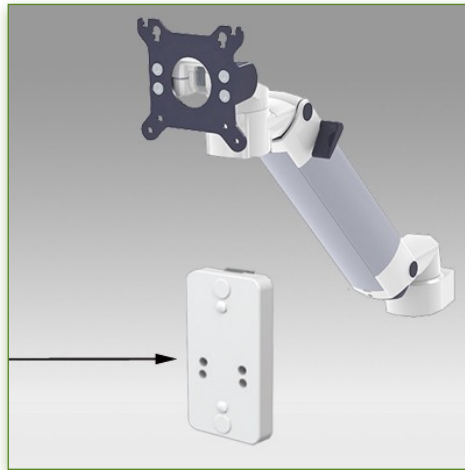
**300 mm Height Adjustable Medical Arm, Mounting on Philips IntelliSave Series/ Siesta i/ Siesta i Whispa/ Siesta i Breasy Anesthesia Machine**

This 300 mm Horizontal Medical Arm with gas spring height adjustment allows the LCD screen to be perfectly fixed, oriented and adjusted. It is coated with an anti-microbial agent offering hygiene and cleaning down to the last detail. Its modern design has been specially designed for healthcare environments.

**Technical specifications:**

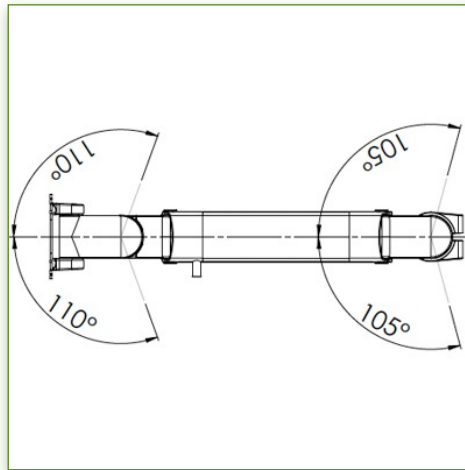
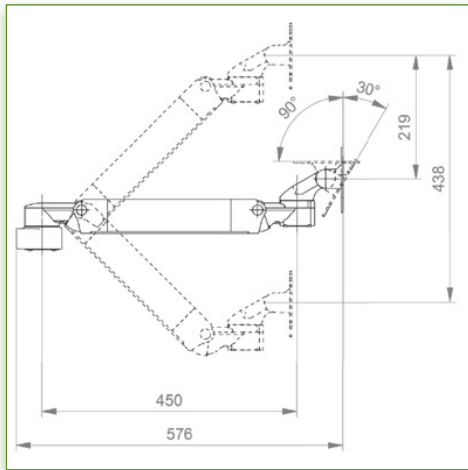
- \* Integrated cable channel \* Equipotential bonding
- \* Mounting on Philips IntelliSave Series Anesthesia / Siesta i/ Siesta i Whispa/ Siesta i Breasy Machine . Side adapter included,
- \* This arm simply fits into the adapter rail for Philips machine to then adjust to the desired height and fixed.
- \* It has a safety stop button for the height adjustment, which allows the arm to remain in the chosen position.
- \* The head of this arm complies with the screen mounting standard: VESA MIS-D 75 mm and 100 mm.
- \* Compatible with screens whose weight does not exceed 9-14 Kg.
- \* Touch screen stability.
- \* Screen tilt: 50° down and 100° up \* Screen rotation: 110° right, 110° left.
- \* Arm rotation: 105° to the right, 105° to the left.
- \* Height adjustment: 45° down, 45° up
- \* Total length 576 mm
- \* Compatible with multimedia terminals (TMM)
- \* Colour RAL 7024 (Graphite grey) and White
- \* All our medical arms are in conformity: CE, ROHS, Medical Grade, Regulations MDD 93/42 ECC.
- \* Warranty: 5 years

Note: This arm can also be installed on one of our medical columns or trolleys.



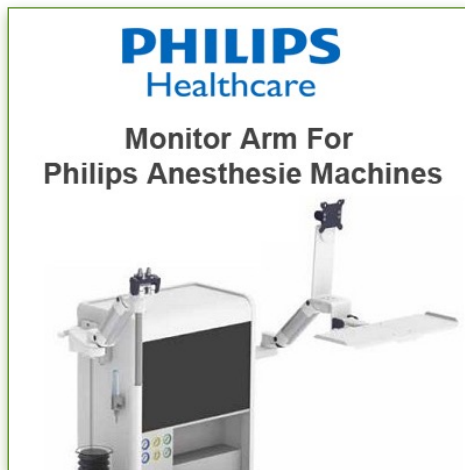
Display Compatibility: 26" Wide ( Weight)  
 Supported Weight: 5-11 Kg  
 VESA standard: 75 / 100 mm

Jusque 26" Wide ( Poids )  
 75/100 mm  
 9-14 Kg  
**MEDICAL GRADE**



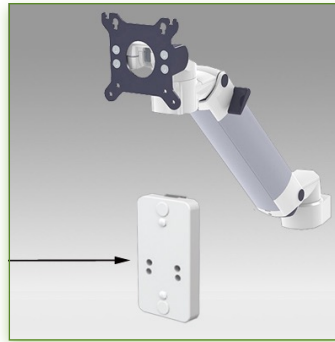
Do not hesitate to contact us if you have any questions about this product.

- Warranty: 5 years**
- 000.993.113-3**
- Graphite Grey and White**
- On Measure**
- = Depending on the elements**
- 993.113-3**

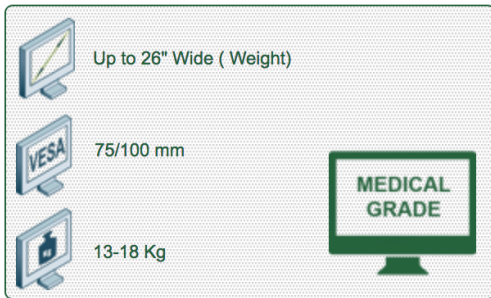


**Anti-bacterial properties:**

IT medical arms are now designed with Microban antibacterial protection, a revolutionary treatment that guarantees optimal hygiene. IT medical arms integrate Microban and other antibacterial agents into all medical products. It inhibits the growth of bacteria of all types. This is not a surface treatment. It is 100% in the totality of the product. It does not alter the physico-mechanical properties of the medical arm lift system. Simulations over 30 years show that 100% of the antibacterial properties are maintained. All medical articulated arms incorporate Microban. Microban is the world's leading provider of anti-bacterial solutions. It has been successfully applied for more than 35 years in a wide range of products used in the hospital, construction and food industries.



Display Compatibility: 26" Wide ( Weight)  
 Supported Weight: 13-18 Kg  
 VESA standard: 75 / 100 mm



Do not hesitate to contact us if you have any questions about this product.

Warranty: 5 years

000.993.113-4

Graphite Grey and White

On Measure

= Depending on the elements

993.113-4

**300 mm Height Adjustable Medical Arm, Mounting on Philips IntelliSave Series/ Siesta i/ Siesta i Whispa/ Siesta i Breasy Anesthesia Machine**

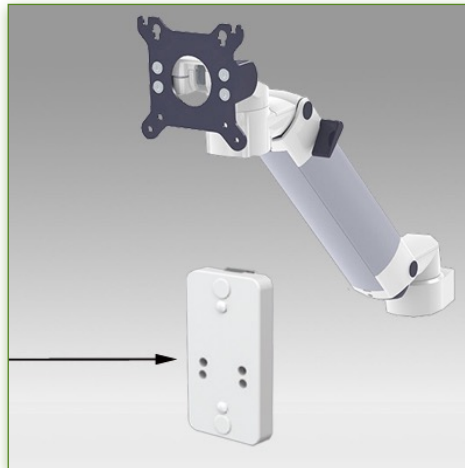
This 300 mm Horizontal Medical Arm with gas spring height adjustment allows the LCD screen to be perfectly fixed, oriented and adjusted. It is coated with an anti-microbial agent offering hygiene and cleaning down to the last detail. Its modern design has been specially designed for healthcare environments.

**Technical specifications:**

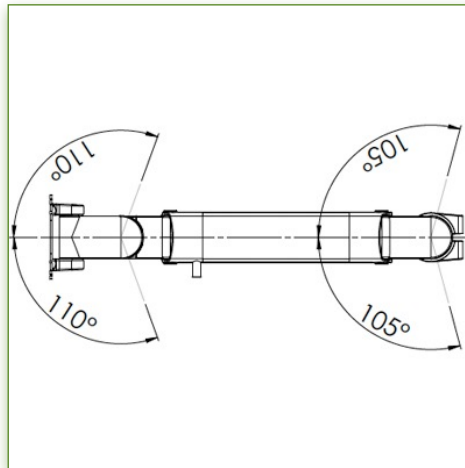
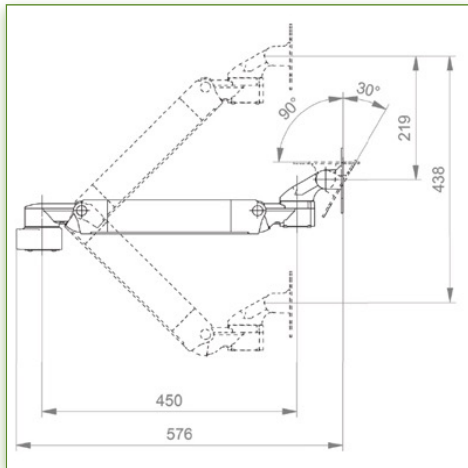
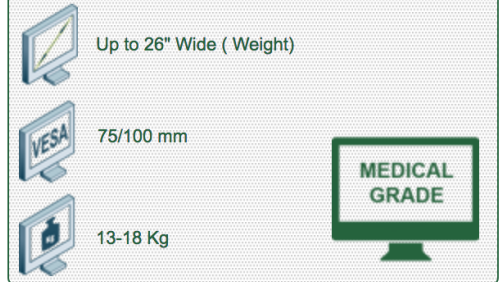
- \* Integrated cable channel \* Equipotential bonding
- \* Mounting on Philips IntelliSave Series Anesthesia / Siesta i/ Siesta i Whispa/ Siesta i Breasy Machine . Side adapter included,
- \* This arm simply fits into the adapter rail for Philips machine to then adjust to the desired height and fixed.
- \* It has a safety stop button for the height adjustment, which allows the arm to remain in the chosen position.
- \* The head of this arm complies with the screen mounting standard: VESA MIS-D 75 mm and 100 mm.
- \* Compatible with screens whose weight does not exceed 13-18 Kg.
- \* Touch screen stability.
- \* Screen tilt: 50° down and 100° up \* Screen rotation: 110° right, 110° left.
- \* Arm rotation: 105° to the right, 105° to the left.
- \* Height adjustment: 45° down, 45° up
- \* Total length 576 mm
- \* Compatible with multimedia terminals (TMM)
- \* Colour RAL 7024 (Graphite grey) and White
- \* All our medical arms are in conformity: CE, ROHS, Medical Grade, Regulations MDD 93/42 ECC.
- \* Warranty: 5 years

Note: This arm can also be installed on one of our medical columns or trolleys.



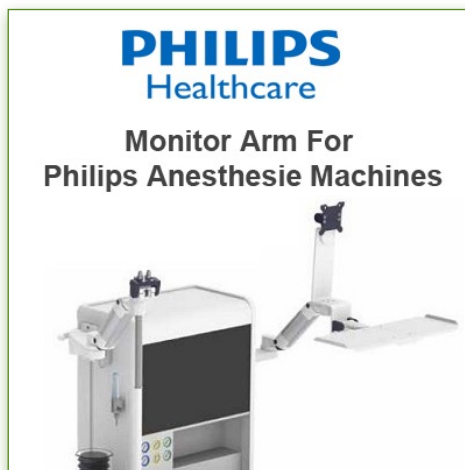


Display Compatibility: 26" Wide ( Weight)  
 Supported Weight: 13-18 Kg  
 VESA standard: 75 / 100 mm



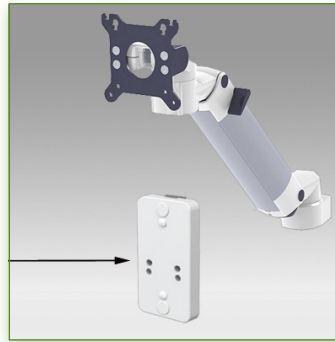
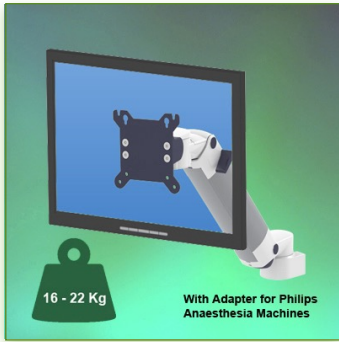
Do not hesitate to contact us if you have any questions about this product.

- Warranty: 5 years
- 000.993.113-4
- Graphite Grey and White
- On Measure
- = Depending on the elements
- 993.113-4



**Anti-bacterial properties:**

IT medical arms are now designed with Microban antibacterial protection, a revolutionary treatment that guarantees optimal hygiene. IT medical arms integrate Microban and other antibacterial agents into all medical products. It inhibits the growth of bacteria of all types. This is not a surface treatment. It is 100% in the totality of the product. It does not alter the physico-mechanical properties of the medical arm lift system. Simulations over 30 years show that 100% of the antibacterial properties are maintained. All medical articulated arms incorporate Microban. Microban is the world's leading provider of anti-bacterial solutions. It has been successfully applied for more than 35 years in a wide range of products used in the hospital, construction and food industries.



Display Compatibility: 26" Wide ( Weight)  
 Supported Weight: 16-22 Kg  
 VESA standard: 75 / 100 mm

**300 mm Height Adjustable Medical Arm, Mounting on Philips IntelliSave Series/ Siesta i/ Siesta i Whispa/ Siesta i Breasy Anesthesia Machine**

This 300 mm Horizontal Medical Arm with gas spring height adjustment allows the LCD screen to be perfectly fixed, oriented and adjusted. It is coated with an anti-microbial agent offering hygiene and cleaning down to the last detail. Its modern design has been specially designed for healthcare environments.

**Technical specifications:**

- \* Integrated cable channel
- \* Equipotential bonding
- \* Mounting on Philips IntelliSave Series Anesthesia / Siesta i/ Siesta i Whispa/ Siesta i Breasy Machine . Side adapter included,
- \* This arm simply fits into the adapter rail for Philips machine to then adjust to the desired height and fixed.
- \* It has a safety stop button for the height adjustment, which allows the arm to remain in the chosen position.
- \* The head of this arm complies with the screen mounting standard: VESA MIS-D 75 mm and 100 mm.
- \* Compatible with screens whose weight does not exceed 16-22 Kg.
- \* Touch screen stability.
- \* Screen tilt: 50° down and 100° up \* Screen rotation: 110° right, 110° left.
- \* Arm rotation: 105° to the right, 105° to the left.
- \* Height adjustment: 45° down, 45° up
- \* Total length 576 mm
- \* Compatible with multimedia terminals (TMM)
- \* Colour RAL 7024 (Graphite grey) and White
- \* All our medical arms are in conformity: CE, ROHS, Medical Grade, Regulations MDD 93/42 ECC.
- \* Warranty: 5 years

Note: This arm can also be installed on one of our medical columns or trolleys.

Up to 26" Wide ( Weight)  
 75/100 mm  
 16-22 Kg

**MEDICAL GRADE**

Do not hesitate to contact us if you have any questions about this product.

**Warranty: 5 years**

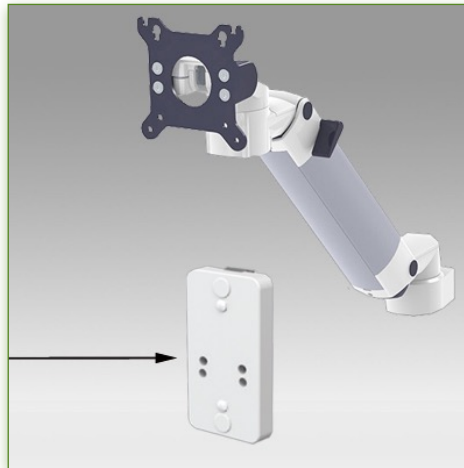
000.993.113-5

Graphite Grey and White

On Measure

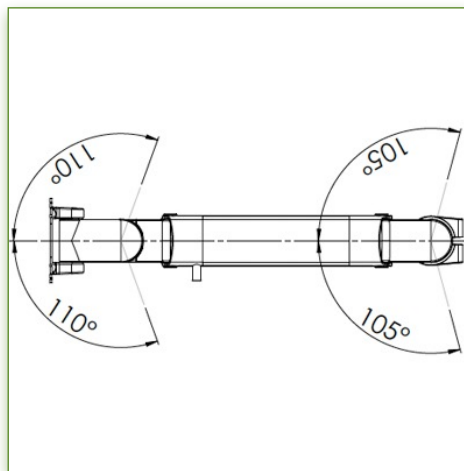
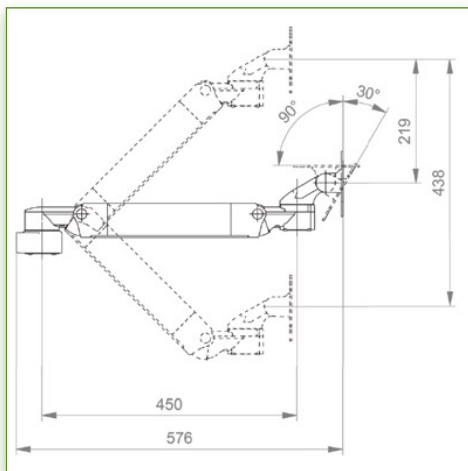
= Depending on the elements

993.113-5



Display Compatibility: 26" Wide ( Weight)  
 Supported Weight: 16-22 Kg  
 VESA standard: 75 / 100 mm

Up to 26" Wide ( Weight)  
 75/100 mm  
 16-22 Kg



Do not hesitate to contact us if you have any questions about this product.

- Warranty: 5 years**
- 000.993.113-5
- Graphite Grey and White
- On Measure
- = Depending on the elements
- 993.113-5

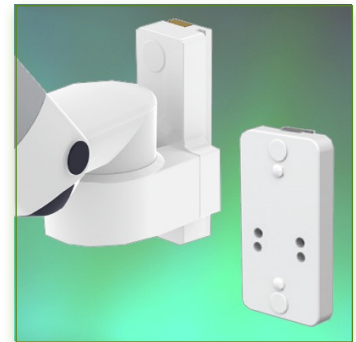
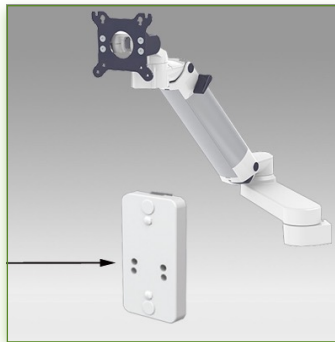
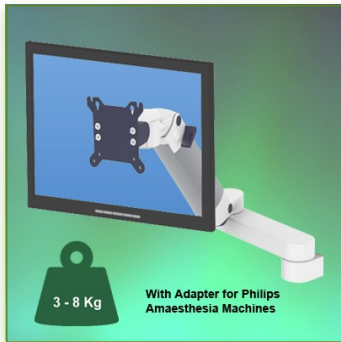


**PHILIPS Healthcare**

**Monitor Arm For Philips Anesthesia Machines**

**Anti-bacterial properties:**

IT medical arms are now designed with Microban antibacterial protection, a revolutionary treatment that guarantees optimal hygiene. IT medical arms integrate Microban and other antibacterial agents into all medical products. It inhibits the growth of bacteria of all types. This is not a surface treatment. It is 100% in the totality of the product. It does not alter the physico-mechanical properties of the medical arm lift system. Simulations over 30 years show that 100% of the antibacterial properties are maintained. All medical articulated arms incorporate Microban. Microban is the world's leading provider of anti-bacterial solutions. It has been successfully applied for more than 35 years in a wide range of products used in the hospital, construction and food industries.



Display Compatibility: 26" Wide ( Weight)  
Supported Weight: 3-8 Kg  
VESA standard: 75 / 100 mm

Do not hesitate to contact us if you have any questions about this product.

**Warranty: 5 years**

000.993.540-1

**Graphite Grey and White**

**On Measure**

= Depending on the elements

993.540-1

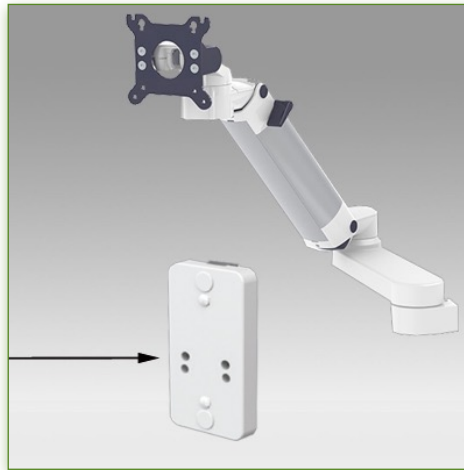
**300 + 240 mm Height Adjustable Medical Arm, Mounting on Philips IntelliSave Series/ Siesta i/ Siesta i Whispa/ Siesta i Breasy Anesthesia Machine**

This 300 + 240 mm Horizontal Medical Arm with gas spring height adjustment allows the LCD screen to be perfectly fixed, oriented and adjusted. It is coated with an anti-microbial agent offering hygiene and cleaning down to the last detail. Its modern design has been specially designed for healthcare environments.

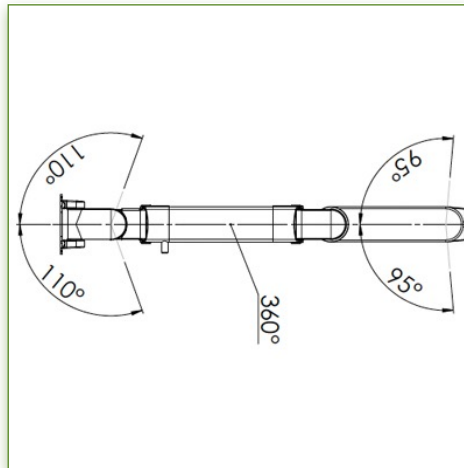
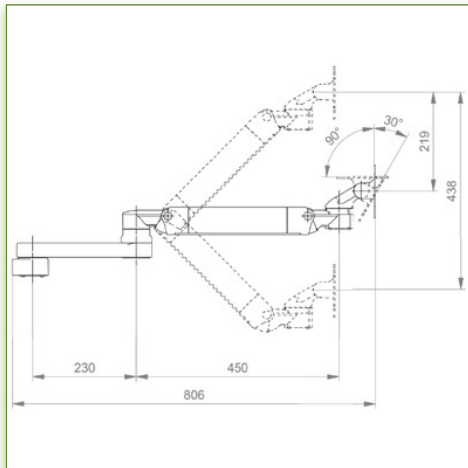
**Technical specifications:**

- \* Integrated cable channel
- \* Equipotential bonding
- \* Mounting on Philips IntelliSave Series Anesthesia / Siesta i/ Siesta i Whispa/ Siesta i Breasy Machine . Side adapter included,
- \* This arm simply fits into the adapter rail for Philips machine to then adjust to the desired height and fixed.
- \* It has a safety stop button for the height adjustment, which allows the arm to remain in the chosen position.
- \* The head of this arm complies with the screen mounting standard: VESA MIS-D 75 mm and 100 mm.
- \* Compatible with screens whose weight does not exceed 3-8 Kg.
- \* Touch screen stability. \* Screen tilt: 50° down and 100° up
- \* Screen rotation: 110° right, 110° left.
- \* Arm rotation: 105° to the right, 105° to the left.
- \* Height adjustment: 45° down, 45° up \* Total length 806 mm
- \* Compatible with multimedia terminals (TMM)
- \* Colour RAL 7024 (Graphite grey) and White
- \* All our medical arms are in conformity: CE, ROHS, Medical Grade, Regulations MDD 93/42 ECC.
- \* Warranty: 5 years

Note: This arm can also be installed on one of our medical columns or trolleys.

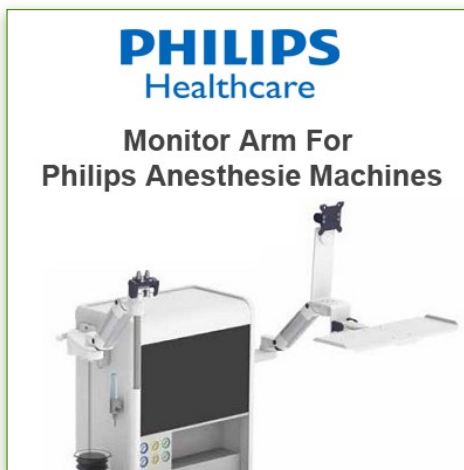


Display Compatibility: 26" Wide ( Weight)  
 Supported Weight: 3-8 Kg  
 VESA standard: 75 / 100 mm



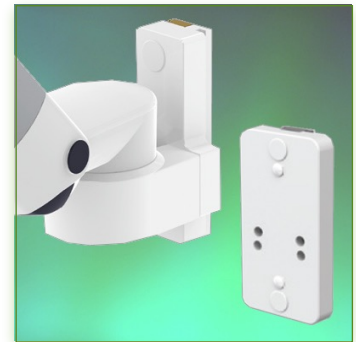
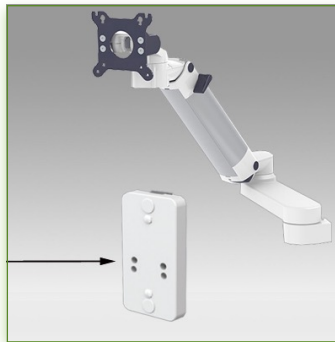
Do not hesitate to contact us if you have any questions about this product.

- Warranty: 5 years**
- 000.993.540-1
- Graphite Grey and White
- On Measure
- = Depending on the elements
- 993.540-1



**Anti-bacterial properties:**

IT medical arms are now designed with Microban antibacterial protection, a revolutionary treatment that guarantees optimal hygiene. IT medical arms integrate Microban and other antibacterial agents into all medical products. It inhibits the growth of bacteria of all types. This is not a surface treatment. It is 100% in the totality of the product. It does not alter the physico-mechanical properties of the medical arm lift system. Simulations over 30 years show that 100% of the antibacterial properties are maintained. All medical articulated arms incorporate Microban. Microban is the world's leading provider of anti-bacterial solutions. It has been successfully applied for more than 35 years in a wide range of products used in the hospital, construction and food industries.



Display Compatibility: 26" Wide ( Weight)  
Supported Weight: 5-11 Kg  
VESA standard: 75 / 100 mm

Do not hesitate to contact us if you have any questions about this product.

Warranty: 5 years

000.993.540-2

Graphite Grey and White

On Measure

= Depending on the elements

993.540-2

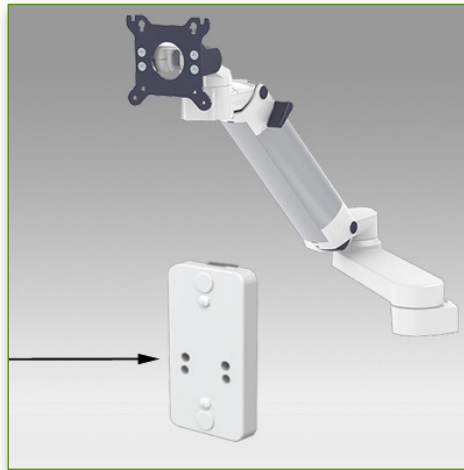
**300 + 240 mm Height Adjustable Medical Arm, Mounting on Philips IntelliSave Series/ Siesta i/ Siesta i Whispa/ Siesta i Breasy Anesthesia Machine**

This 300 + 240 mm Horizontal Medical Arm with gas spring height adjustment allows the LCD screen to be perfectly fixed, oriented and adjusted. It is coated with an anti-microbial agent offering hygiene and cleaning down to the last detail. Its modern design has been specially designed for healthcare environments.

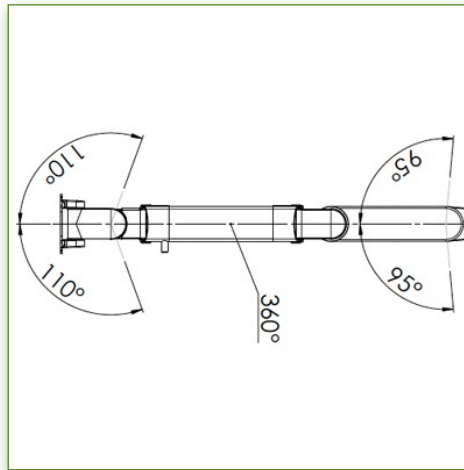
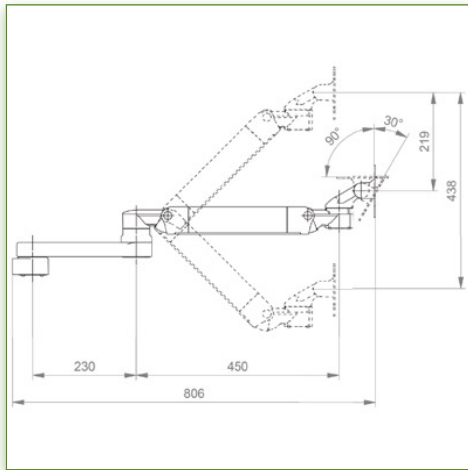
**Technical specifications:**

- \* Integrated cable channel
- \* Equipotential bonding
- \* Mounting on Philips IntelliSave Series Anesthesia / Siesta i/ Siesta i Whispa/ Siesta i Breasy Machine . Side adapter included,
- \* This arm simply fits into the adapter rail for Philips machine to then adjust to the desired height and fixed.
- \* It has a safety stop button for the height adjustment, which allows the arm to remain in the chosen position.
- \* The head of this arm complies with the screen mounting standard: VESA MIS-D 75 mm and 100 mm.
- \* Compatible with screens whose weight does not exceed 5-11 Kg.
- \* Touch screen stability. \* Screen tilt: 50° down and 100° up
- \* Screen rotation: 110° right, 110° left.
- \* Arm rotation: 105° to the right, 105° to the left.
- \* Height adjustment: 45° down, 45° up \* Total length 806 mm
- \* Compatible with multimedia terminals (TMM)
- \* Colour RAL 7024 (Graphite grey) and White
- \* All our medical arms are in conformity: CE, ROHS, Medical Grade, Regulations MDD 93/42 ECC.
- \* Warranty: 5 years

Note: This arm can also be installed on one of our medical columns or trolleys.



Display Compatibility: 26" Wide ( Weight)  
 Supported Weight: 5-11 Kg  
 VESA standard: 75 / 100 mm



Do not hesitate to contact us if you have any questions about this product.

**Warranty: 5 years**

000.993.540-2

**Graphite Grey and White**

**On Measure**

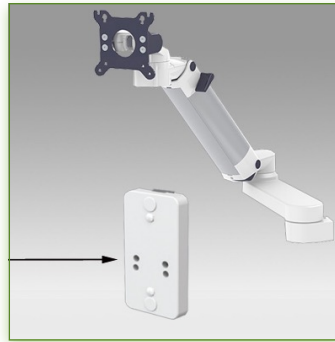
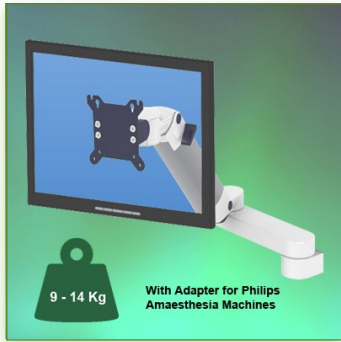
= Depending on the elements

993.540-2



**Anti-bacterial properties:**

IT medical arms are now designed with Microban antibacterial protection, a revolutionary treatment that guarantees optimal hygiene. IT medical arms integrate Microban and other antibacterial agents into all medical products. It inhibits the growth of bacteria of all types. This is not a surface treatment. It is 100% in the totality of the product. It does not alter the physico-mechanical properties of the medical arm lift system. Simulations over 30 years show that 100% of the antibacterial properties are maintained. All medical articulated arms incorporate Microban. Microban is the world's leading provider of anti-bacterial solutions. It has been successfully applied for more than 35 years in a wide range of products used in the hospital, construction and food industries.



Display Compatibility: 26" Wide ( Weight)  
Supported Weight: 9-14 Kg  
VESA standard: 75 / 100 mm

Do not hesitate to contact us if you have any questions about this product.

**Warranty: 5 years**

000.993.540-3

Graphite Grey and White

On Measure

= Depending on the elements

993.540-3

**300 + 240 mm Height Adjustable Medical Arm, Mounting on Philips IntelliSave Series/ Siesta i/ Siesta i Whispa/ Siesta i Breasy Anesthesia Machine**

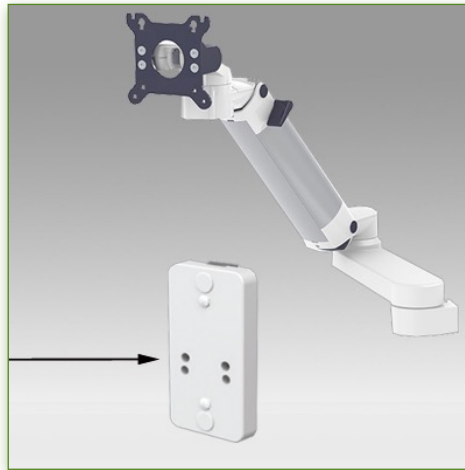
This 300 + 240 mm Horizontal Medical Arm with gas spring height adjustment allows the LCD screen to be perfectly fixed, oriented and adjusted. It is coated with an anti-microbial agent offering hygiene and cleaning down to the last detail. Its modern design has been specially designed for healthcare environments.

**Technical specifications:**

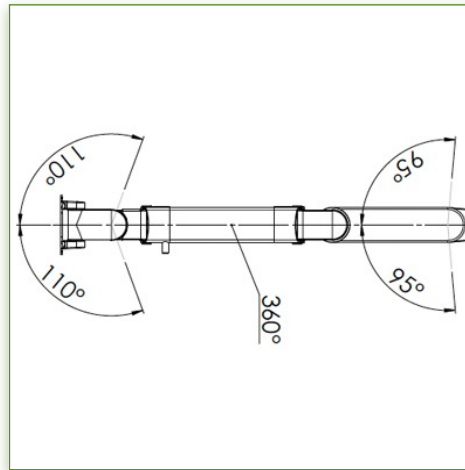
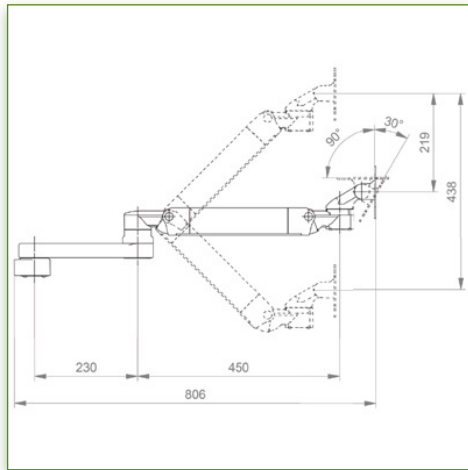
- \* Integrated cable channel
- \* Equipotential bonding
- \* Mounting on Philips IntelliSave Series Anesthesia / Siesta i/ Siesta i Whispa/ Siesta i Breasy Machine . Side adapter included,
- \* This arm simply fits into the adapter rail for Philips machine to then adjust to the desired height and fixed.
- \* It has a safety stop button for the height adjustment, which allows the arm to remain in the chosen position.
- \* The head of this arm complies with the screen mounting standard: VESA MIS-D 75 mm and 100 mm.
- \* Compatible with screens whose weight does not exceed 9-14 Kg.
- \* Touch screen stability. \* Screen tilt: 50° down and 100° up
- \* Screen rotation: 110° right, 110° left.
- \* Arm rotation: 105° to the right, 105° to the left.
- \* Height adjustment: 45° down, 45° up \* Total length 806 mm
- \* Compatible with multimedia terminals (TMM)
- \* Colour RAL 7024 (Graphite grey) and White
- \* All our medical arms are in conformity: CE, ROHS, Medical Grade, Regulations MDD 93/42 ECC.
- \* Warranty: 5 years

Note: This arm can also be installed on one of our medical columns or trolleys.





Display Compatibility: 26" Wide ( Weight)  
 Supported Weight: 9-14 Kg  
 VESA standard: 75 / 100 mm



Do not hesitate to contact us if you have any questions about this product.

**Warranty: 5 years**

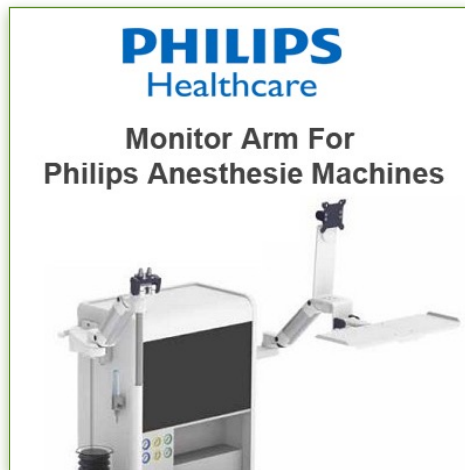
000.993.540-3

**Graphite Grey and White**

**On Measure**

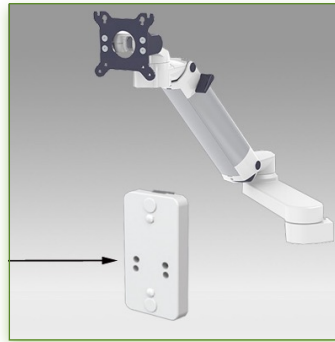
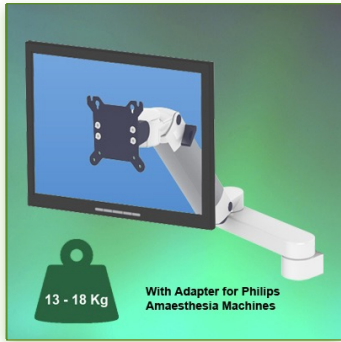
= Depending on the elements

**993.540-3**



**Anti-bacterial properties:**

IT medical arms are now designed with Microban antibacterial protection, a revolutionary treatment that guarantees optimal hygiene. IT medical arms integrate Microban and other antibacterial agents into all medical products. It inhibits the growth of bacteria of all types. This is not a surface treatment. It is 100% in the totality of the product. It does not alter the physico-mechanical properties of the medical arm lift system. Simulations over 30 years show that 100% of the antibacterial properties are maintained. All medical articulated arms incorporate Microban. Microban is the world's leading provider of anti-bacterial solutions. It has been successfully applied for more than 35 years in a wide range of products used in the hospital, construction and food industries.



Display Compatibility: 26" Wide ( Weight)  
Supported Weight: 13-18 Kg  
VESA standard: 75 / 100 mm

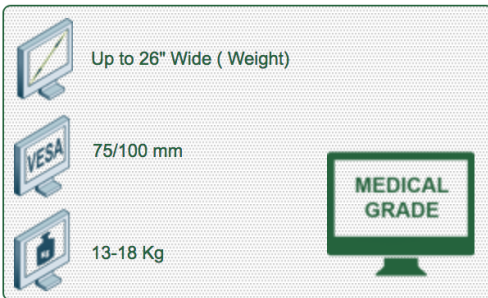
**300 + 240 mm Height Adjustable Medical Arm, Mounting on Philips IntelliSave Series/ Siesta i/ Siesta i Whispa/ Siesta i Breasy Anesthesia Machine**

This 300 + 240 mm Horizontal Medical Arm with gas spring height adjustment allows the LCD screen to be perfectly fixed, oriented and adjusted. It is coated with an anti-microbial agent offering hygiene and cleaning down to the last detail. Its modern design has been specially designed for healthcare environments.

**Technical specifications:**

- \* Integrated cable channel
- \* Equipotential bonding
- \* Mounting on Philips IntelliSave Series Anesthesia / Siesta i/ Siesta i Whispa/ Siesta i Breasy Machine . Side adapter included,
- \* This arm simply fits into the adapter rail for Philips machine to then adjust to the desired height and fixed.
- \* It has a safety stop button for the height adjustment, which allows the arm to remain in the chosen position.
- \* The head of this arm complies with the screen mounting standard: VESA MIS-D 75 mm and 100 mm.
- \* Compatible with screens whose weight does not exceed 13-18 Kg.
- \* Touch screen stability. \* Screen tilt: 50° down and 100° up
- \* Screen rotation: 110° right, 110° left.
- \* Arm rotation: 105° to the right, 105° to the left.
- \* Height adjustment: 45° down, 45° up \* Total length 806 mm
- \* Compatible with multimedia terminals (TMM)
- \* Colour RAL 7024 (Graphite grey) and White
- \* All our medical arms are in conformity: CE, ROHS, Medical Grade, Regulations MDD 93/42 ECC.
- \* Warranty: 5 years

Note: This arm can also be installed on one of our medical columns or trolleys.



Do not hesitate to contact us if you have any questions about this product.

Warranty: 5 years

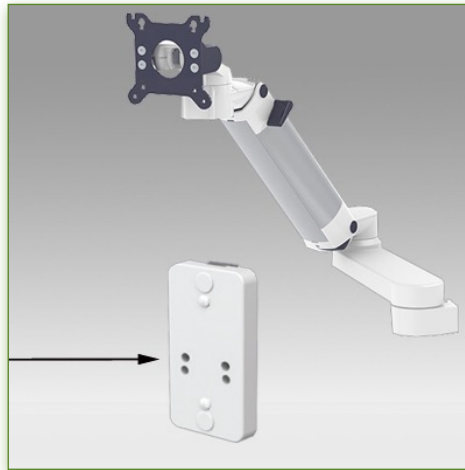
000.993.540-4

Graphite Grey and White

On Measure

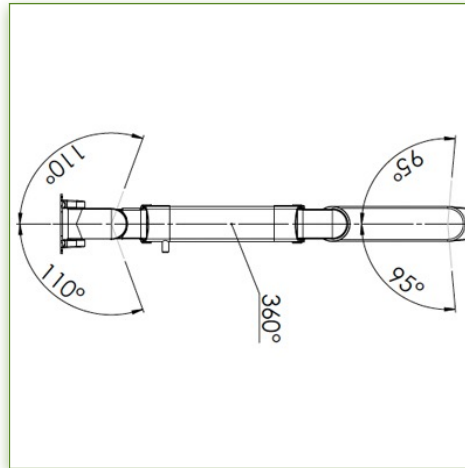
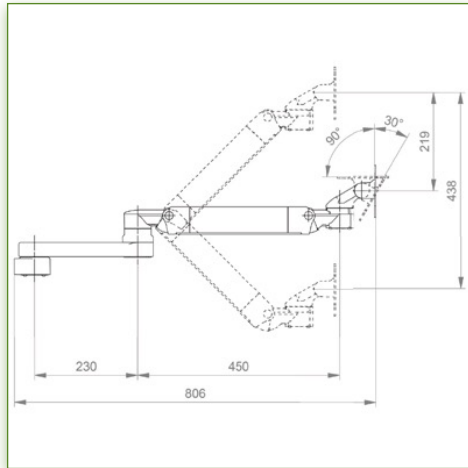
= Depending on the elements

993.540-4



Display Compatibility: 26" Wide ( Weight)  
 Supported Weight: 13-18 Kg  
 VESA standard: 75 / 100 mm

Up to 26" Wide ( Weight)  
 75/100 mm  
 13-18 Kg



Do not hesitate to contact us if you have any questions about this product.

- Warranty: 5 years**
- 000.993.540-4
- Graphite Grey and White
- On Measure
- = Depending on the elements
- 993.540-4

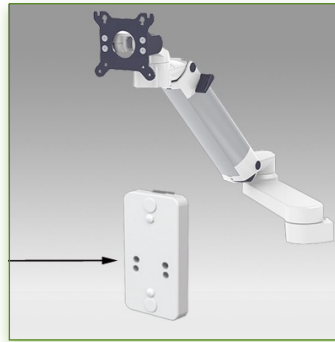
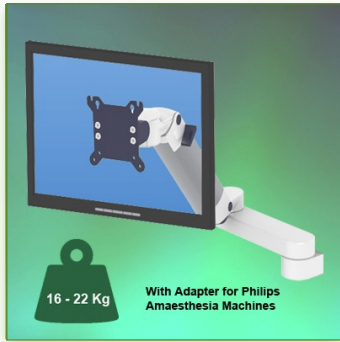


**PHILIPS**  
 Healthcare

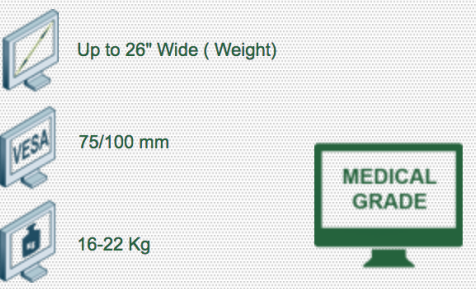
**Monitor Arm For Philips Anesthesia Machines**

**Anti-bacterial properties:**

IT medical arms are now designed with Microban antibacterial protection, a revolutionary treatment that guarantees optimal hygiene. IT medical arms integrate Microban and other antibacterial agents into all medical products. It inhibits the growth of bacteria of all types. This is not a surface treatment. It is 100% in the totality of the product. It does not alter the physico-mechanical properties of the medical arm lift system. Simulations over 30 years show that 100% of the antibacterial properties are maintained. All medical articulated arms incorporate Microban. Microban is the world's leading provider of anti-bacterial solutions. It has been successfully applied for more than 35 years in a wide range of products used in the hospital, construction and food industries.



Display Compatibility: 26" Wide ( Weight)  
Supported Weight: 16-22 Kg  
VESA standard: 75 / 100 mm



Do not hesitate to contact us if you have any questions about this product.

Warranty: 5 years

000.993.540-5

Graphite Grey and White

On Measure

= Depending on the elements

993.540-5

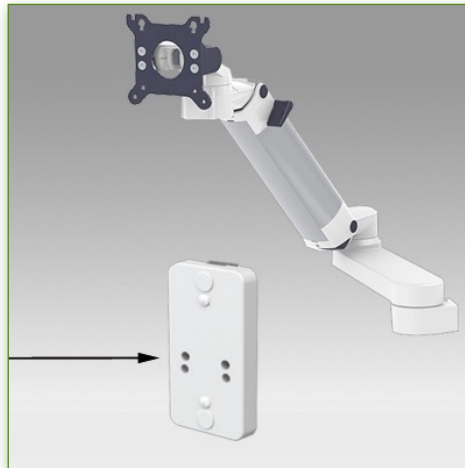
**300 + 240 mm Height Adjustable Medical Arm, Mounting on Philips IntelliSave Series/ Siesta i/ Siesta i Whispa/ Siesta i Breasy Anesthesia Machine**

This 300 + 240 mm Horizontal Medical Arm with gas spring height adjustment allows the LCD screen to be perfectly fixed, oriented and adjusted. It is coated with an anti-microbial agent offering hygiene and cleaning down to the last detail. Its modern design has been specially designed for healthcare environments.

**Technical specifications:**

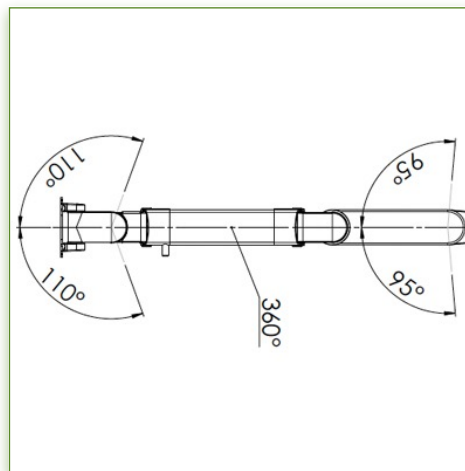
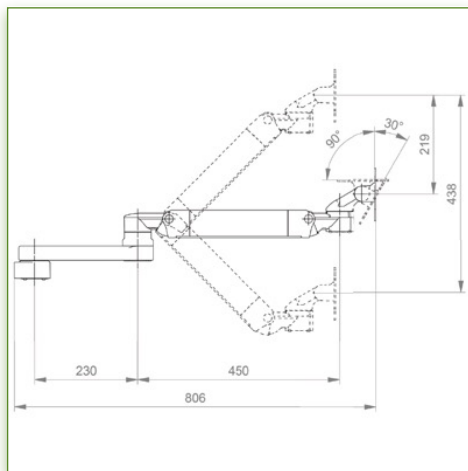
- \* Integrated cable channel
- \* Equipotential bonding
- \* Mounting on Philips IntelliSave Series Anesthesia / Siesta i/ Siesta i Whispa/ Siesta i Breasy Machine . Side adapter included,
- \* This arm simply fits into the adapter rail for Philips machine to then adjust to the desired height and fixed.
- \* It has a safety stop button for the height adjustment, which allows the arm to remain in the chosen position.
- \* The head of this arm complies with the screen mounting standard: VESA MIS-D 75 mm and 100 mm.
- \* Compatible with screens whose weight does not exceed 16-22 Kg.
- \* Touch screen stability. \* Screen tilt: 50° down and 100° up
- \* Screen rotation: 110° right, 110° left.
- \* Arm rotation: 105° to the right, 105° to the left.
- \* Height adjustment: 45° down, 45° up \* Total length 806 mm
- \* Compatible with multimedia terminals (TMM)
- \* Colour RAL 7024 (Graphite grey) and White
- \* All our medical arms are in conformity: CE, ROHS, Medical Grade, Regulations MDD 93/42 ECC.
- \* Warranty: 5 years

Note: This arm can also be installed on one of our medical columns or trolleys.



Display Compatibility: 26" Wide ( Weight)  
 Supported Weight: 16-22 Kg  
 VESA standard: 75 / 100 mm

Up to 26" Wide ( Weight)  
 75/100 mm  
 16-22 Kg  
**MEDICAL GRADE**



Do not hesitate to contact us if you have any questions about this product.

- Warranty: 5 years**
- 000.993.540-5
- Graphite Grey and White
- On Measure
- = Depending on the elements
- 993.540-5

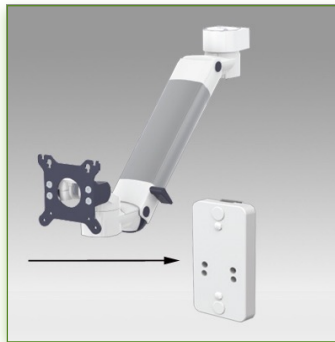
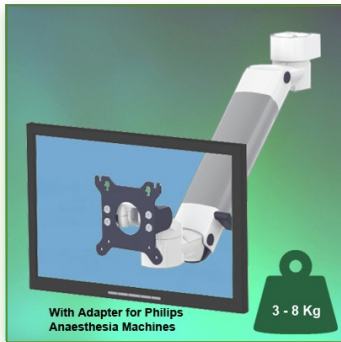


**PHILIPS**  
 Healthcare

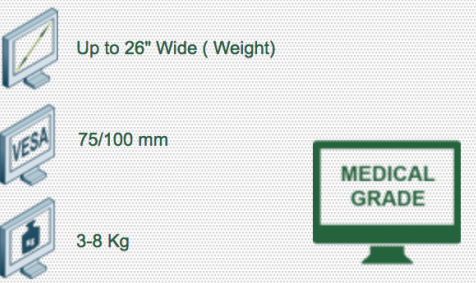
**Monitor Arm For Philips Anesthesia Machines**

**Anti-bacterial properties:**

IT medical arms are now designed with Microban antibacterial protection, a revolutionary treatment that guarantees optimal hygiene. IT medical arms integrate Microban and other antibacterial agents into all medical products. It inhibits the growth of bacteria of all types. This is not a surface treatment. It is 100% in the totality of the product. It does not alter the physico-mechanical properties of the medical arm lift system. Simulations over 30 years show that 100% of the antibacterial properties are maintained. All medical articulated arms incorporate Microban. Microban is the world's leading provider of anti-bacterial solutions. It has been successfully applied for more than 35 years in a wide range of products used in the hospital, construction and food industries.



Display Compatibility: 26" Wide ( Weight)  
Supported Weight: 3-8 Kg  
VESA standard: 75 / 100 mm



Do not hesitate to contact us if you have any questions about this product.

Warranty: 5 years

000.993.530-1

Graphite Grey and White

On Measure

= Depending on the elements

993.530-1

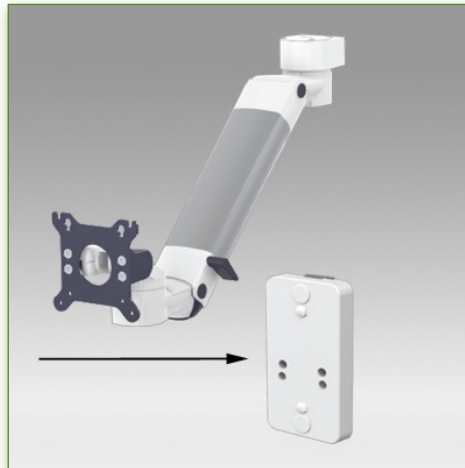
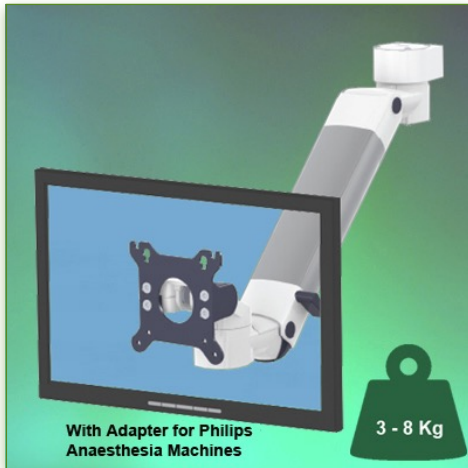
**PH Medical Monitor Arm (High Position) height adjustable 300 mm,  
Mounting on Philips IntelliSave Series/ Siesta i/ Siesta i Whispa/ Siesta i  
Breasy Anesthesia Machine**

This PH (High Position) Horizontal Medical Arm 300 mm with gas spring height adjustment allows the LCD screen to be perfectly fixed, oriented and adjusted. It is coated with an anti-microbial agent offering hygiene and cleaning down to the last detail. Its modern design has been specially designed for healthcare environments.

**Technical specifications:**

- \* Integrated cable channel
- \* Equipotential bonding
- \* Mounting on Philips IntelliSave Series Anesthesia / Siesta i/ Siesta i Whispa/ Siesta i Breasy Machine . Side adapter included,
- \* This arm simply fits into the adapter rail for Philips machines and then adjust to the desired and fixed height.
- \* It has a safety stop button for the height adjustment, which allows the arm to remain in the chosen position.
- \* Installation specific to the high position (PH)
- \* The head of this arm complies with the screen mounting standard: VESA MIS-D 75 mm and 100 mm.
- \* Compatible with screens whose weight does not exceed 3-8 Kg.
- \* Touch screen stability. \* Screen tilt: 50° down and 100° up
- \* Screen rotation: 110° right, 110° left.
- \* Arm rotation: 105° to the right, 105° to the left.
- \* Height adjustment: 45° down, 45° up \* Total length 576 mm
- \* Compatible with multimedia terminals (TMM)
- \* Colour RAL 7024 (Graphite grey) and White
- \* All our medical arms are in conformity: CE, ROHS, Medical Grade, Regulations MDD 93/42 ECC.
- \* Warranty: 5 years

Note: This arm can also be installed on one of our medical columns or trolleys.

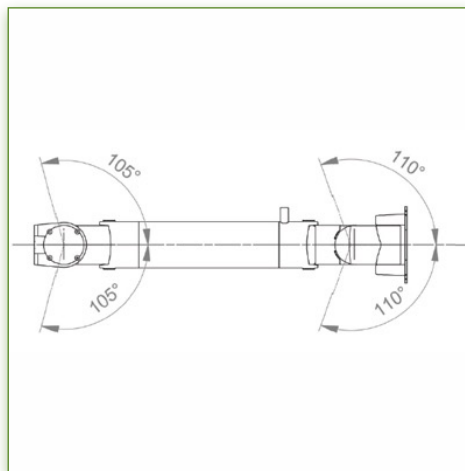
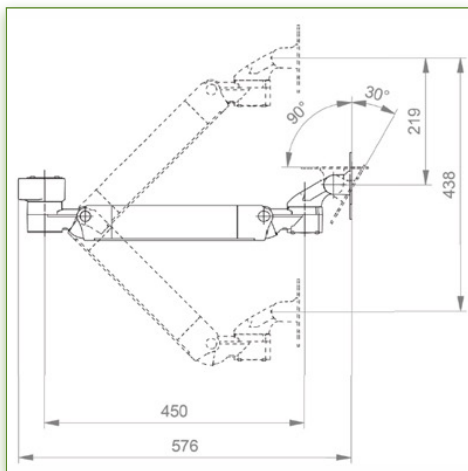


Display Compatibility: 26" Wide ( Weight)  
Supported Weight: 3-8 Kg  
VESA standard: 75 / 100 mm

Up to 26" Wide ( Weight)

75/100 mm

3-8 Kg



Do not hesitate to contact us if you have any questions about this product.

Warranty: 5 years

000.993.530-1

Graphite Grey and White

On Measure

= Depending on the elements

993.530-1



**PHILIPS**  
Healthcare

Monitor Arm For  
Philips Anesthesia Machines

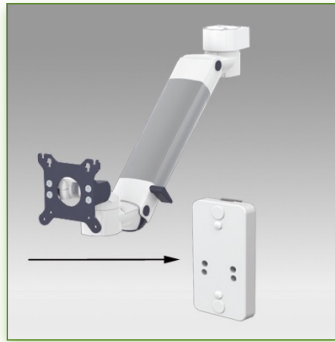
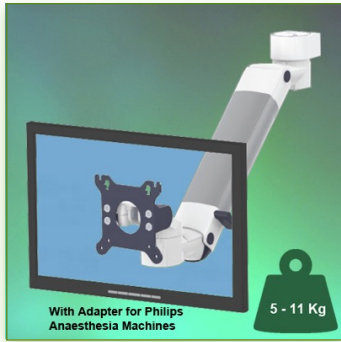
**Anti-bacterial properties:**

IT medical arms are now designed with Microban antibacterial protection, a revolutionary treatment that guarantees optimal hygiene. IT medical arms integrate Microban and other antibacterial agents into all medical products. It inhibits the growth of bacteria of all types. This is not a surface treatment.

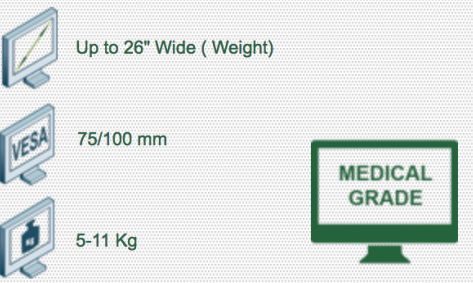
It is 100% in the totality of the product.

It does not alter the physico-mechanical properties of the medical arm lift system. Simulations over 30 years show that 100% of the antibacterial properties are maintained.

All medical articulated arms incorporate Microban. Microban is the world's leading provider of anti-bacterial solutions. It has been successfully applied for more than 35 years in a wide range of products used in the hospital, construction and food industries.



Display Compatibility: 26" Wide ( Weight)  
Supported Weight: 5-11 Kg  
VESA standard: 75 / 100 mm



Do not hesitate to contact us if you have any questions about this product.

Warranty: 5 years

000.993.530-2

Graphite Grey and White

On Measure

= Depending on the elements

993.530-2

**PH Medical Monitor Arm (High Position) height adjustable 300 mm, Mounting on Philips IntelliSave Series/ Siesta i/ Siesta i Whispa/ Siesta i Breasy Anesthesia Machine**

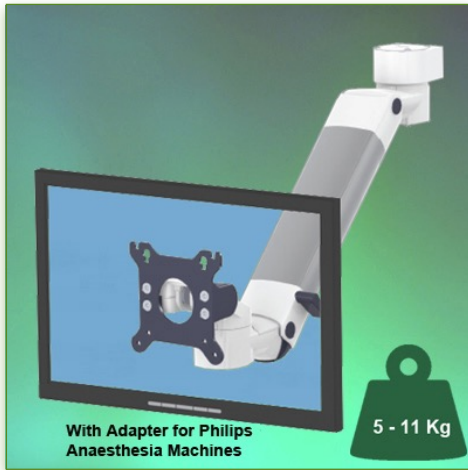
This PH (High Position) Horizontal Medical Arm 300 mm with gas spring height adjustment allows the LCD screen to be perfectly fixed, oriented and adjusted. It is coated with an anti-microbial agent offering hygiene and cleaning down to the last detail. Its modern design has been specially designed for healthcare environments.

**Technical specifications:**

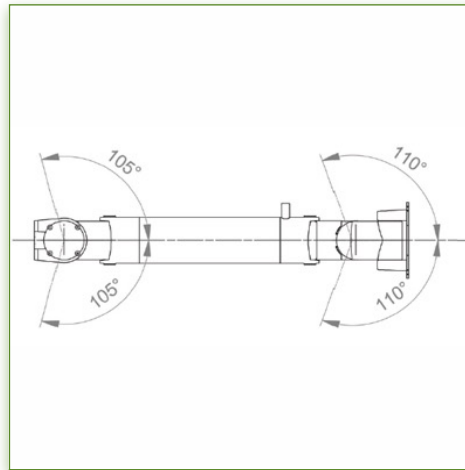
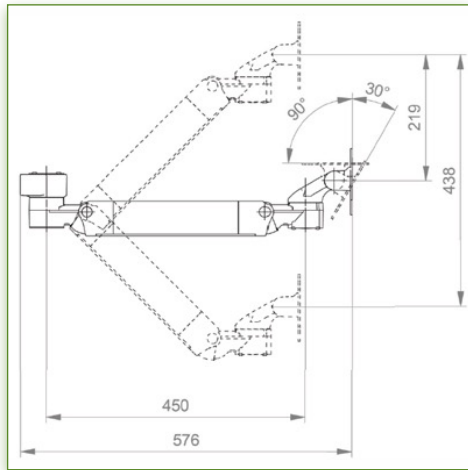
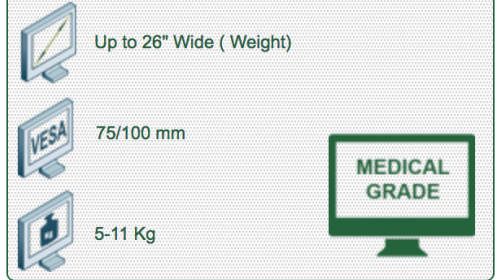
- \* Integrated cable channel
- \* Equipotential bonding
- \* Mounting on Philips IntelliSave Series Anesthesia / Siesta i/ Siesta i Whispa/ Siesta i Breasy Machine . Side adapter included,
- \* This arm simply fits into the adapter rail for Philips machines and then adjust to the desired and fixed height.
- \* It has a safety stop button for the height adjustment, which allows the arm to remain in the chosen position.
- \* Installation specific to the high position (PH)
- \* The head of this arm complies with the screen mounting standard: VESA MIS-D 75 mm and 100 mm.
- \* Compatible with screens whose weight does not exceed 5-11 Kg.
- \* Touch screen stability. \* Screen tilt: 50° down and 100° up
- \* Screen rotation: 110° right, 110° left.
- \* Arm rotation: 105° to the right, 105° to the left.
- \* Height adjustment: 45° down, 45° up \* Total length 576 mm
- \* Compatible with multimedia terminals (TMM)
- \* Colour RAL 7024 (Graphite grey) and White
- \* All our medical arms are in conformity: CE, ROHS, Medical Grade, Regulations MDD 93/42 ECC.
- \* Warranty: 5 years

Note: This arm can also be installed on one of our medical columns or trolleys.





Display Compatibility: 26" Wide ( Weight)  
Supported Weight: 5-11 Kg  
VESA standard: 75 / 100 mm



Do not hesitate to contact us if you have any questions about this product.

Warranty: 5 years

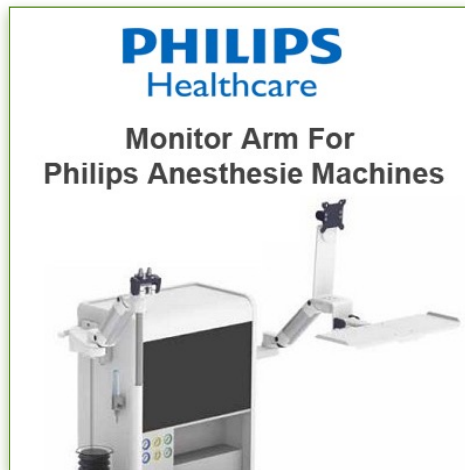
000.993.530-2

Graphite Grey and White

On Measure

= Depending on the elements

993.530-2



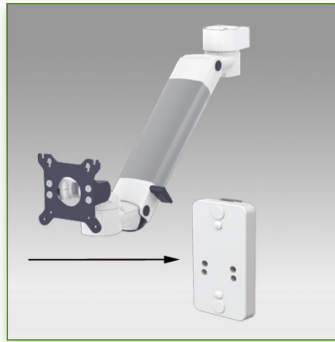
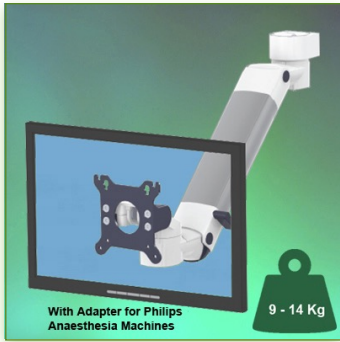
**Anti-bacterial properties:**

IT medical arms are now designed with Microban antibacterial protection, a revolutionary treatment that guarantees optimal hygiene. IT medical arms integrate Microban and other antibacterial agents into all medical products. It inhibits the growth of bacteria of all types. This is not a surface treatment. It is 100% in the totality of the product. It does not alter the physico-mechanical properties of the medical arm lift system. Simulations over 30 years show that 100% of the antibacterial properties are maintained. All medical articulated arms incorporate Microban. Microban is the world's leading provider of anti-bacterial solutions. It has been successfully applied for more than 35 years in a wide range of products used in the hospital, construction and food industries.

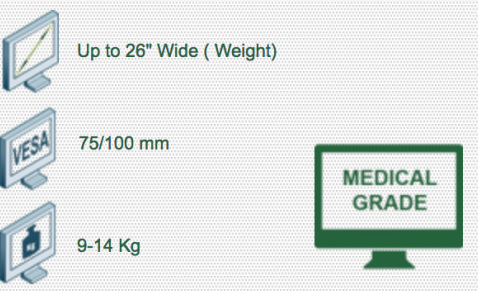


## Part Number: 993.530-3— Presentation

**PH Medical Monitor Arm (High Position) height adjustable 300 mm, Mounting on Philips IntelliSave Series/ Siesta i/ Siesta i Whispa/ Siesta i Breasy Anesthesia Machine**



Display Compatibility: 26" Wide ( Weight)  
Supported Weight: 9-14 Kg  
VESA standard: 75 / 100 mm



## PH Medical Monitor Arm (High Position) height adjustable 300 mm, Mounting on Philips IntelliSave Series/ Siesta i/ Siesta i Whispa/ Siesta i Breasy Anesthesia Machine

This PH (High Position) Horizontal Medical Arm 300 mm with gas spring height adjustment allows the LCD screen to be perfectly fixed, oriented and adjusted. It is coated with an anti-microbial agent offering hygiene and cleaning down to the last detail. Its modern design has been specially designed for healthcare environments.

### Technical specifications:

- \* Integrated cable channel
- \* Equipotential bonding
- \* Mounting on Philips IntelliSave Series Anesthesia / Siesta i/ Siesta i Whispa/ Siesta i Breasy Machine . Side adapter included,
- \* This arm simply fits into the adapter rail for Philips machines and then adjust to the desired and fixed height.
- \* It has a safety stop button for the height adjustment, which allows the arm to remain in the chosen position.
- \* Installation specific to the high position (PH)
- \* The head of this arm complies with the screen mounting standard: VESA MIS-D 75 mm and 100 mm.
- \* Compatible with screens whose weight does not exceed 9-14 Kg.
- \* Touch screen stability. \* Screen tilt: 50° down and 100° up
- \* Screen rotation: 110° right, 110° left.
- \* Arm rotation: 105° to the right, 105° to the left.
- \* Height adjustment: 45° down, 45° up \* Total length 576 mm
- \* Compatible with multimedia terminals (TMM)
- \* Colour RAL 7024 (Graphite grey) and White
- \* All our medical arms are in conformity: CE, ROHS, Medical Grade, Regulations MDD 93/42 ECC.
- \* Warranty: 5 years

Note: This arm can also be installed on one of our medical columns or trolleys.

Do not hesitate to contact us if you have any questions about this product.

Warranty: 5 years

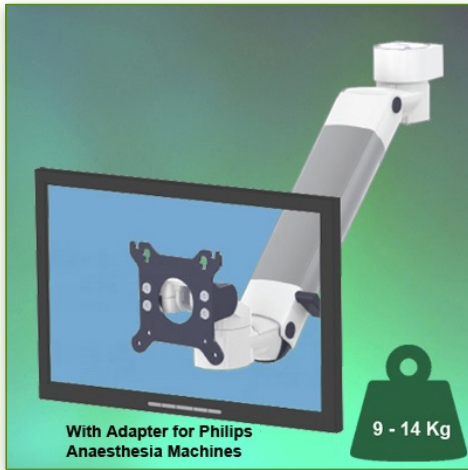
000.993.530-3

Graphite Grey and White

On Measure

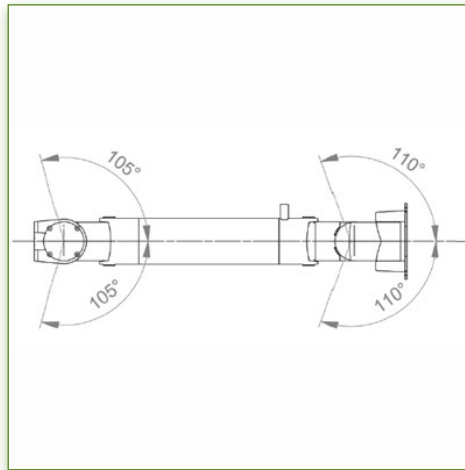
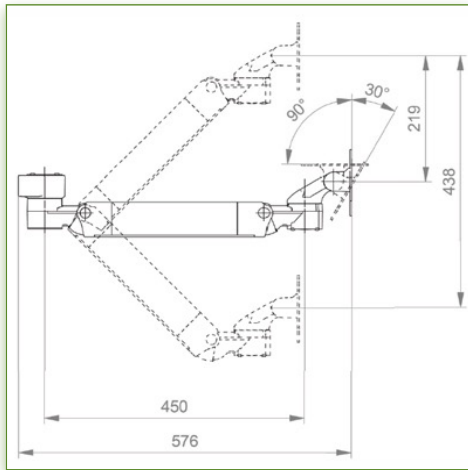
= Depending on the elements

993.530-3



Display Compatibility: 26" Wide ( Weight)  
Supported Weight: 9-14 Kg  
VESA standard: 75 / 100 mm

Up to 26" Wide ( Weight)  
75/100 mm  
9-14 Kg



Do not hesitate to contact us if you have any questions about this product.

- Warranty: 5 years**
- 000.993.530-3**
- Graphite Grey and White**
- On Measure**
- = Depending on the elements**
- 993.530-3**



**PHILIPS**  
Healthcare

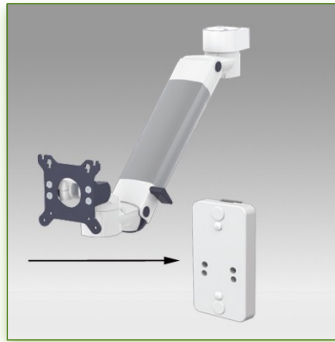
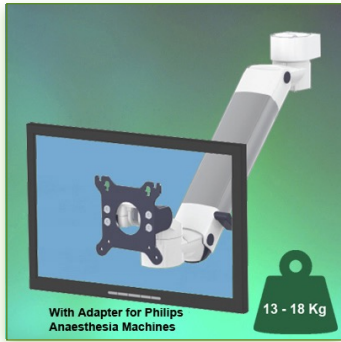
**Monitor Arm For Philips Anaesthesia Machines**

**Anti-bacterial properties:**

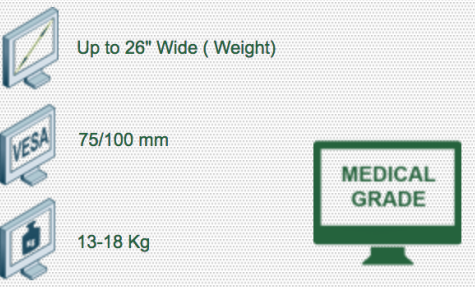
IT medical arms are now designed with Microban antibacterial protection, a revolutionary treatment that guarantees optimal hygiene. IT medical arms integrate Microban and other antibacterial agents into all medical products. It inhibits the growth of bacteria of all types. This is not a surface treatment.

It is 100% in the totality of the product. It does not alter the physico-mechanical properties of the medical arm lift system. Simulations over 30 years show that 100% of the antibacterial properties are maintained.

All medical articulated arms incorporate Microban. Microban is the world's leading provider of anti-bacterial solutions. It has been successfully applied for more than 35 years in a wide range of products used in the hospital, construction and food industries.



Display Compatibility: 26" Wide ( Weight)  
Supported Weight: 13-18 Kg  
VESA standard: 75 / 100 mm



Do not hesitate to contact us if you have any questions about this product.

Warranty: 5 years

000.993.530-4

Graphite Grey and White

On Measure

= Depending on the elements

993.530-4

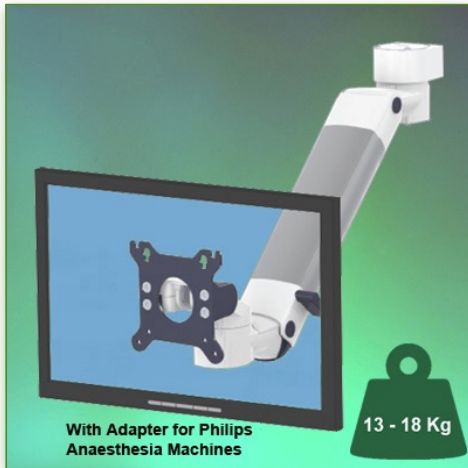
**PH Medical Monitor Arm (High Position) height adjustable 300 mm,  
Mounting on Philips IntelliSave Series/ Siesta i/ Siesta i Whispa/ Siesta i  
Breasy Anesthesia Machine**

This PH (High Position) Horizontal Medical Arm 300 mm with gas spring height adjustment allows the LCD screen to be perfectly fixed, oriented and adjusted. It is coated with an anti-microbial agent offering hygiene and cleaning down to the last detail. Its modern design has been specially designed for healthcare environments.

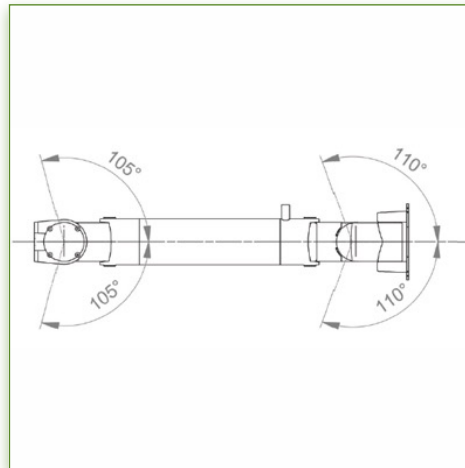
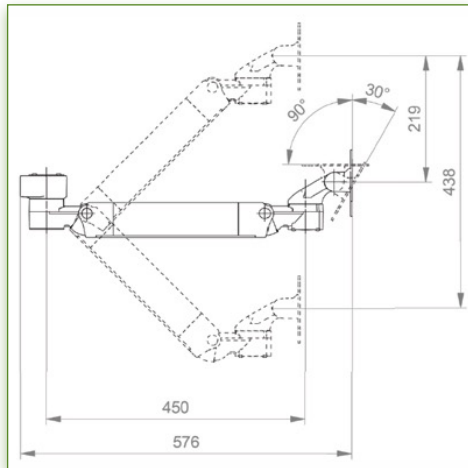
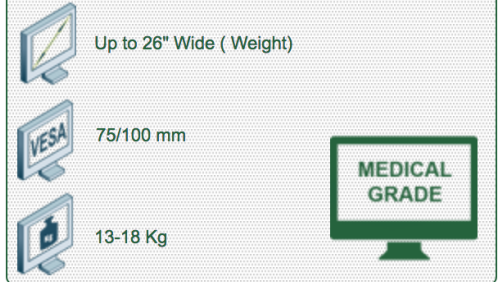
**Technical specifications:**

- \* Integrated cable channel
- \* Equipotential bonding
- \* Mounting on Philips IntelliSave Series Anesthesia / Siesta i/ Siesta i Whispa/ Siesta i Breasy Machine . Side adapter included,
- \* This arm simply fits into the adapter rail for Philips machines and then adjust to the desired and fixed height.
- \* It has a safety stop button for the height adjustment, which allows the arm to remain in the chosen position.
- \* Installation specific to the high position (PH)
- \* The head of this arm complies with the screen mounting standard: VESA MIS-D 75 mm and 100 mm.
- \* Compatible with screens whose weight does not exceed 13-18 Kg.
- \* Touch screen stability. \* Screen tilt: 50° down and 100° up
- \* Screen rotation: 110° right, 110° left.
- \* Arm rotation: 105° to the right, 105° to the left.
- \* Height adjustment: 45° down, 45° up \* Total length 576 mm
- \* Compatible with multimedia terminals (TMM)
- \* Colour RAL 7024 (Graphite grey) and White
- \* All our medical arms are in conformity: CE, ROHS, Medical Grade, Regulations MDD 93/42 ECC.
- \* Warranty: 5 years

Note: This arm can also be installed on one of our medical columns or trolleys.



Display Compatibility: 26" Wide ( Weight)  
Supported Weight: 13-18 Kg  
VESA standard: 75 / 100 mm



Do not hesitate to contact us if you have any questions about this product.

Warranty: 5 years

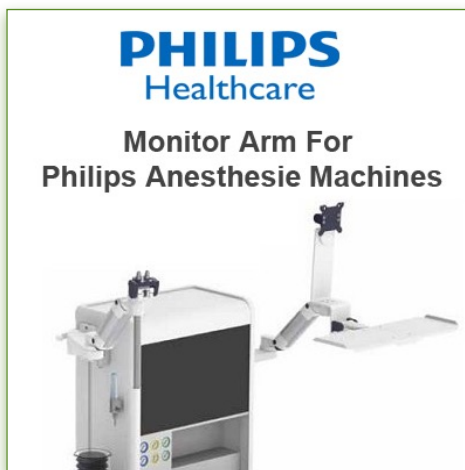
000.993.530-4

Graphite Grey and White

On Measure

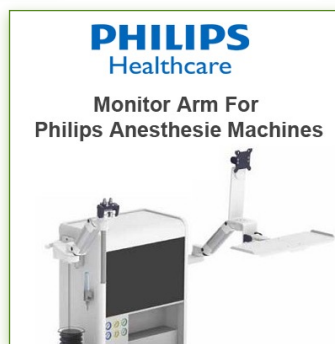
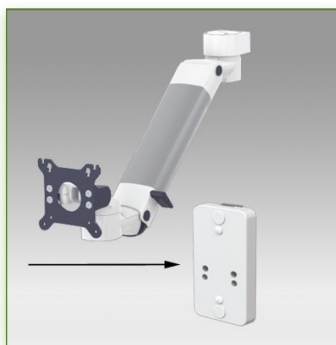
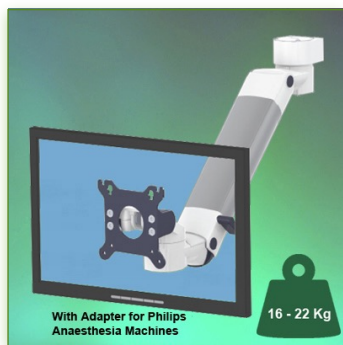
= Depending on the elements

993.530-4



**Anti-bacterial properties:**

IT medical arms are now designed with Microban antibacterial protection, a revolutionary treatment that guarantees optimal hygiene. IT medical arms integrate Microban and other antibacterial agents into all medical products. It inhibits the growth of bacteria of all types. This is not a surface treatment. It is 100% in the totality of the product. It does not alter the physico-mechanical properties of the medical arm lift system. Simulations over 30 years show that 100% of the antibacterial properties are maintained. All medical articulated arms incorporate Microban. Microban is the world's leading provider of anti-bacterial solutions. It has been successfully applied for more than 35 years in a wide range of products used in the hospital, construction and food industries.



Display Compatibility: 26" Wide ( Weight)  
Supported Weight: 16-22 Kg  
VESA standard: 75 / 100 mm

**PH Medical Monitor Arm (High Position) height adjustable 300 mm, Mounting on Philips IntelliSave Series/ Siesta i/ Siesta i Whispa/ Siesta i Breasy Anesthesia Machine**

This PH (High Position) Horizontal Medical Arm 300 mm with gas spring height adjustment allows the LCD screen to be perfectly fixed, oriented and adjusted. It is coated with an anti-microbial agent offering hygiene and cleaning down to the last detail. Its modern design has been specially designed for healthcare environments.

**Technical specifications:**

- \* Integrated cable channel
- \* Equipotential bonding
- \* Mounting on Philips IntelliSave Series Anesthesia / Siesta i/ Siesta i Whispa/ Siesta i Breasy Machine . Side adapter included,
- \* This arm simply fits into the adapter rail for Philips machines and then adjust to the desired and fixed height.
- \* It has a safety stop button for the height adjustment, which allows the arm to remain in the chosen position.
- \* Installation specific to the high position (PH)
- \* The head of this arm complies with the screen mounting standard: VESA MIS-D 75 mm and 100 mm.
- \* Compatible with screens whose weight does not exceed 16-22 Kg.
- \* Touch screen stability. \* Screen tilt: 50° down and 100° up
- \* Screen rotation: 110° right, 110° left.
- \* Arm rotation: 105° to the right, 105° to the left.
- \* Height adjustment: 45° down, 45° up \* Total length 576 mm
- \* Compatible with multimedia terminals (TMM)
- \* Colour RAL 7024 (Graphite grey) and White
- \* All our medical arms are in conformity: CE, ROHS, Medical Grade, Regulations MDD 93/42 ECC.
- \* Warranty: 5 years

Note: This arm can also be installed on one of our medical columns or trolleys.

Up to 26" Wide ( Weight)  
75/100 mm  
16-22 Kg

**MEDICAL GRADE**

Do not hesitate to contact us if you have any questions about this product.

Warranty: 5 years

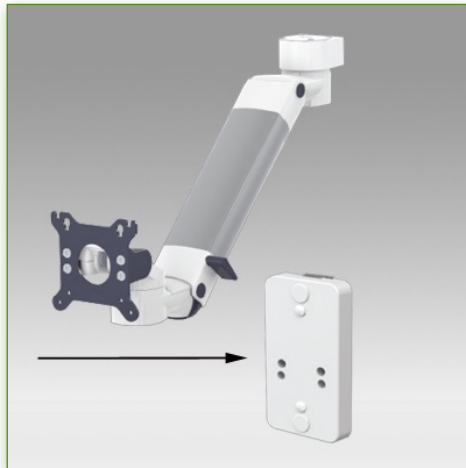
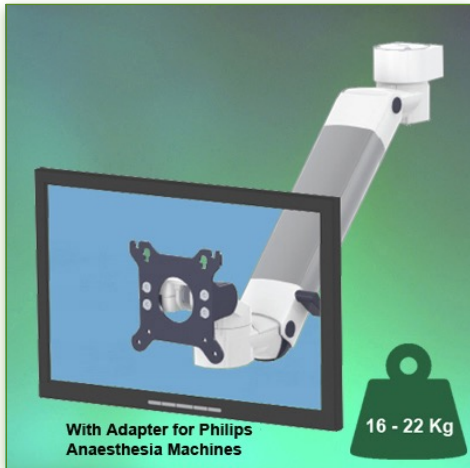
000.993.530-5

Graphite Grey and White

On Measure

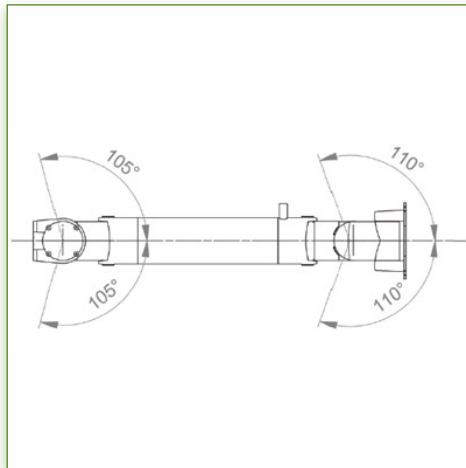
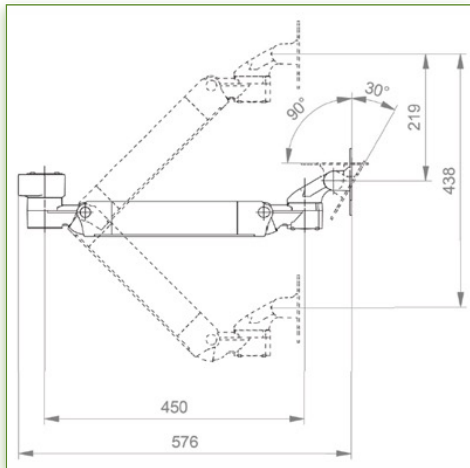
= Depending on the elements

993.530-5



Display Compatibility: 26" Wide ( Weight)  
Supported Weight: 16-22 Kg  
VESA standard: 75 / 100 mm

Up to 26" Wide ( Weight)  
75/100 mm  
16-22 Kg



Do not hesitate to contact us if you have any questions about this product.

**Warranty: 5 years**

000.993.530-5

**Graphite Grey and White**

**On Measure**

= Depending on the elements

**993.530-5**

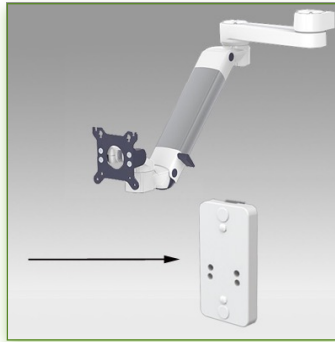
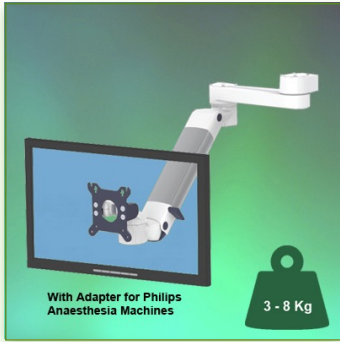


**PHILIPS Healthcare**

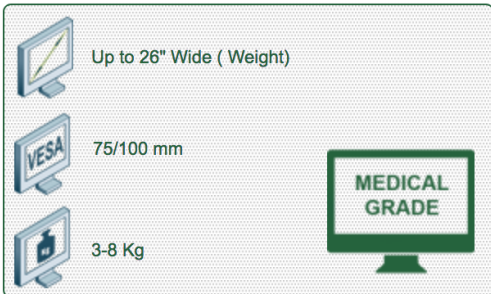
**Monitor Arm For Philips Anaesthesia Machines**

**Anti-bacterial properties:**

IT medical arms are now designed with Microban antibacterial protection, a revolutionary treatment that guarantees optimal hygiene. IT medical arms integrate Microban and other antibacterial agents into all medical products. It inhibits the growth of bacteria of all types. This is not a surface treatment. It is 100% in the totality of the product. It does not alter the physico-mechanical properties of the medical arm lift system. Simulations over 30 years show that 100% of the antibacterial properties are maintained. All medical articulated arms incorporate Microban. Microban is the world's leading provider of anti-bacterial solutions. It has been successfully applied for more than 35 years in a wide range of products used in the hospital, construction and food industries.



Display Compatibility: 26" Wide ( Weight)  
 Supported Weight: 3-8 Kg  
 VESA standard: 75 / 100 mm



Do not hesitate to contact us if you have any questions about this product.

Warranty: 5 years

000.993.114-1

Graphite Grey and White

On Measure

= Depending on the elements

993.114-1

**PH Medical Monitor Arm (High Position) height adjustable 300 + 240 mm, Mounting on Philips IntelliSave Series/ Siesta i/ Siesta i Whispa/ Siesta i Breasy Anesthesia Machine**

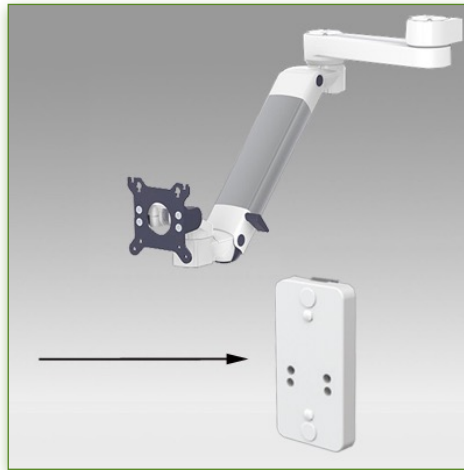
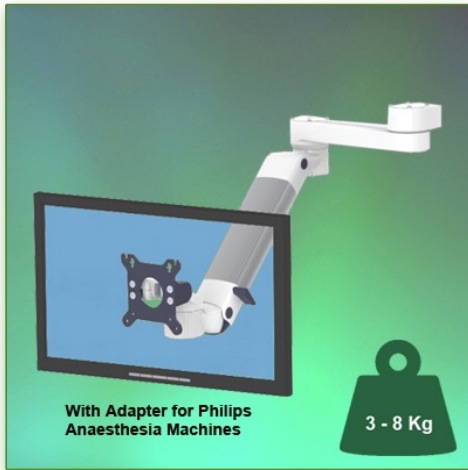
This PH (High Position) Horizontal Medical Arm 300 + 240 mm with gas spring height adjustment allows the LCD screen to be perfectly fixed, oriented and adjusted. It is coated with an anti-microbial agent offering hygiene and cleaning down to the last detail. Its modern design has been specially designed for healthcare environments.

**Technical specifications:**

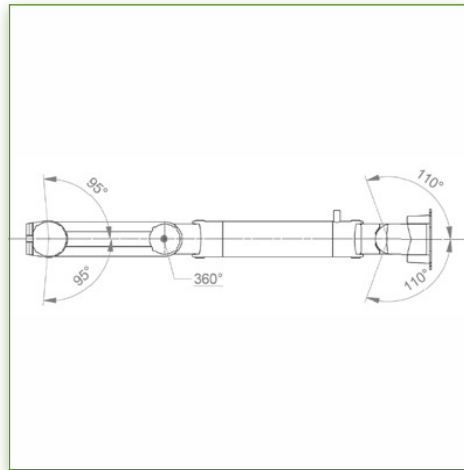
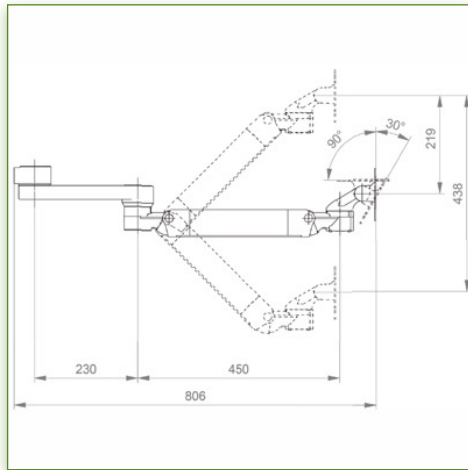
- \* Integrated cable channel
- \* Equipotential bonding
- \* Mounting on Philips IntelliSave Series Anesthesia / Siesta i/ Siesta i Whispa/ Siesta i Breasy Machine . Side adapter included,
- \* This arm simply fits into the adapter rail for Philips machines and then adjust to the desired and fixed height.
- \* It has a safety stop button for height adjustment, which allows the arm to remain in the chosen position.
- \* Installation specific to the high position (PH)
- \* The head of this arm complies with the screen mounting standard: VESA MIS-D 75 mm and 100 mm.
- \* Compatible with screens whose weight does not exceed 3-8 Kg.
- \* Touch screen stability.
- \* Screen tilt: 50° down and 100° up \* Screen rotation: 110° right, 110° left.
- \* Arm rotation: 105° to the right, 105° to the left.
- \* Height adjustment: 45° down, 45° up \* Total length 806 mm
- \* Compatible with multimedia terminals (TMM)
- \* Colour RAL 7024 (Graphite grey) and White
- \* All our medical arms are in conformity: CE, ROHS, Medical Grade, Regulations MDD 93/42 ECC.
- \* Warranty: 5 years

Note: This arm can also be installed on one of our medical columns or trolleys.





Display Compatibility: 26" Wide ( Weight)  
 Supported Weight: 3-8 Kg  
 VESA standard: 75 / 100 mm



Do not hesitate to contact us if you have any questions about this product.

- Warranty: 5 years**
- 000.993.114-1
- Graphite Grey and White**
- On Measure**
- = Depending on the elements
- 993.114-1**

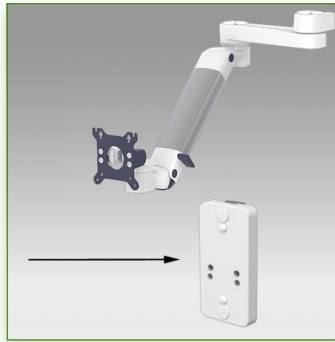


**PHILIPS**  
 Healthcare

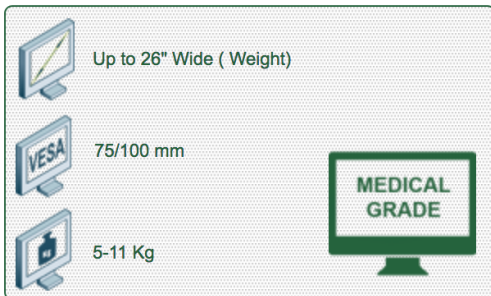
**Monitor Arm For Philips Anesthesia Machines**

**Anti-bacterial properties:**

IT medical arms are now designed with Microban antibacterial protection, a revolutionary treatment that guarantees optimal hygiene. IT medical arms integrate Microban and other antibacterial agents into all medical products. It inhibits the growth of bacteria of all types. This is not a surface treatment. It is 100% in the totality of the product. It does not alter the physico-mechanical properties of the medical arm lift system. Simulations over 30 years show that 100% of the antibacterial properties are maintained. All medical articulated arms incorporate Microban. Microban is the world's leading provider of anti-bacterial solutions. It has been successfully applied for more than 35 years in a wide range of products used in the hospital, construction and food industries.



Display Compatibility: 26" Wide ( Weight)  
 Supported Weight: 5-11 Kg  
 VESA standard: 75 / 100 mm



Do not hesitate to contact us if you have any questions about this product.

Warranty: 5 years

000.993.114-2

Graphite Grey and White

On Measure

= Depending on the elements

993.114-2

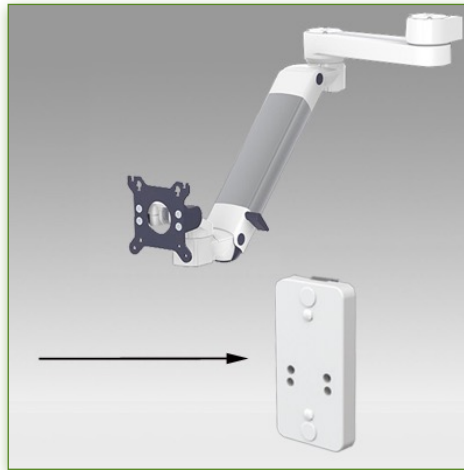
**PH Medical Monitor Arm (High Position) height adjustable 300 + 240 mm, Mounting on Philips IntelliSave Series/ Siesta i/ Siesta i Whispa/ Siesta i Breasy Anesthesia Machine**

This PH (High Position) Horizontal Medical Arm 300 + 240 mm with gas spring height adjustment allows the LCD screen to be perfectly fixed, oriented and adjusted. It is coated with an anti-microbial agent offering hygiene and cleaning down to the last detail. Its modern design has been specially designed for healthcare environments.

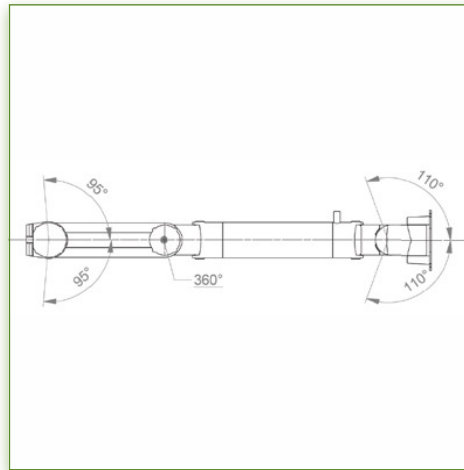
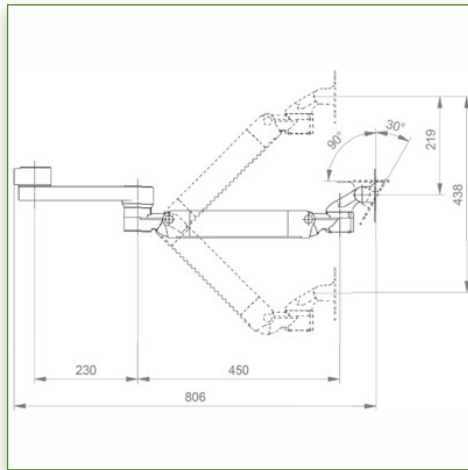
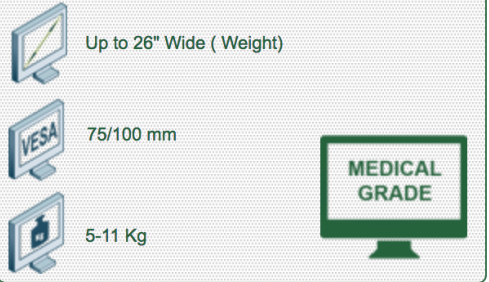
**Technical specifications:**

- \* Integrated cable channel
- \* Equipotential bonding
- \* Mounting on Philips IntelliSave Series Anesthesia / Siesta i/ Siesta i Whispa/ Siesta i Breasy Machine . Side adapter included,
- \* This arm simply fits into the adapter rail for Philips machines and then adjust to the desired and fixed height.
- \* It has a safety stop button for height adjustment, which allows the arm to remain in the chosen position.
- \* Installation specific to the high position (PH)
- \* The head of this arm complies with the screen mounting standard: VESA MIS-D 75 mm and 100 mm.
- \* Compatible with screens whose weight does not exceed 5-11 Kg.
- \* Touch screen stability.
- \* Screen tilt: 50° down and 100° up
- \* Screen rotation: 110° right, 110° left.
- \* Arm rotation: 105° to the right, 105° to the left.
- \* Height adjustment: 45° down, 45° up
- \* Total length 806 mm
- \* Compatible with multimedia terminals (TMM)
- \* Colour RAL 7024 (Graphite grey) and White
- \* All our medical arms are in conformity: CE, ROHS, Medical Grade, Regulations MDD 93/42 ECC.
- \* Warranty: 5 years

Note: This arm can also be installed on one of our medical columns or trolleys.



Display Compatibility: 26" Wide ( Weight)  
 Supported Weight: 5-11 Kg  
 VESA standard: 75 / 100 mm



Do not hesitate to contact us if you have any questions about this product.

Warranty: 5 years

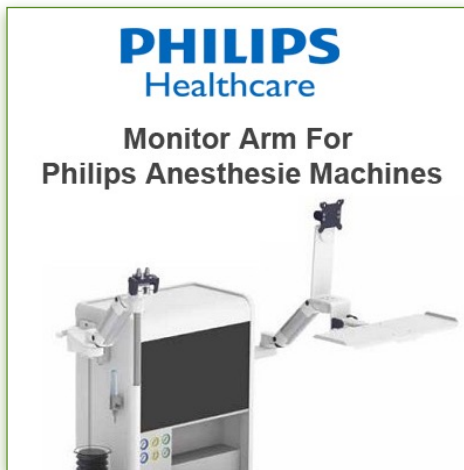
000.993.114-2

Graphite Grey and White

On Measure

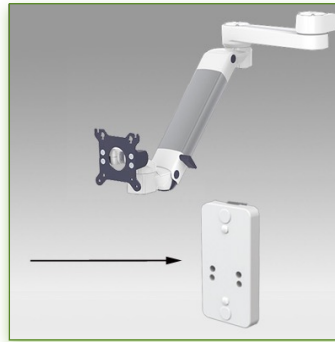
= Depending on the elements

993.114-2

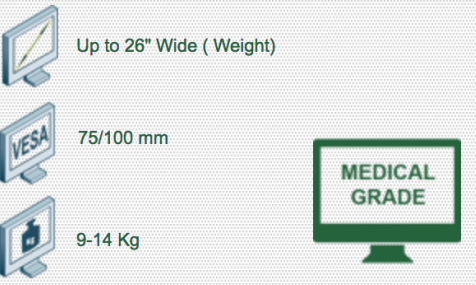


**Anti-bacterial properties:**

IT medical arms are now designed with Microban antibacterial protection, a revolutionary treatment that guarantees optimal hygiene. IT medical arms integrate Microban and other antibacterial agents into all medical products. It inhibits the growth of bacteria of all types. This is not a surface treatment. It is 100% in the totality of the product. It does not alter the physico-mechanical properties of the medical arm lift system. Simulations over 30 years show that 100% of the antibacterial properties are maintained. All medical articulated arms incorporate Microban. Microban is the world's leading provider of anti-bacterial solutions. It has been successfully applied for more than 35 years in a wide range of products used in the hospital, construction and food industries.



Display Compatibility: 26" Wide ( Weight)  
 Supported Weight: 9-14 Kg  
 VESA standard: 75 / 100 mm



Do not hesitate to contact us if you have any questions about this product.

**Warranty: 5 years**

000.993.114-3

Graphite Grey and White

On Measure

= Depending on the elements

993.114-3

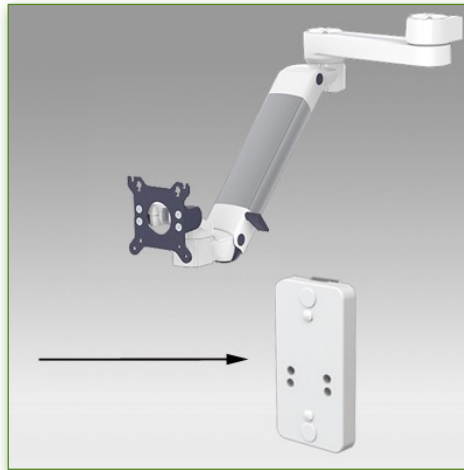
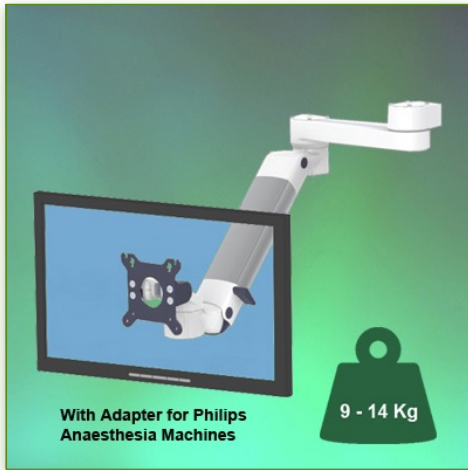
**PH Medical Monitor Arm (High Position) height adjustable 300 + 240 mm, Mounting on Philips IntelliSave Series/ Siesta i/ Siesta i Whispa/ Siesta i Breasy Anesthesia Machine**

This PH (High Position) Horizontal Medical Arm 300 + 240 mm with gas spring height adjustment allows the LCD screen to be perfectly fixed, oriented and adjusted. It is coated with an anti-microbial agent offering hygiene and cleaning down to the last detail. Its modern design has been specially designed for healthcare environments.

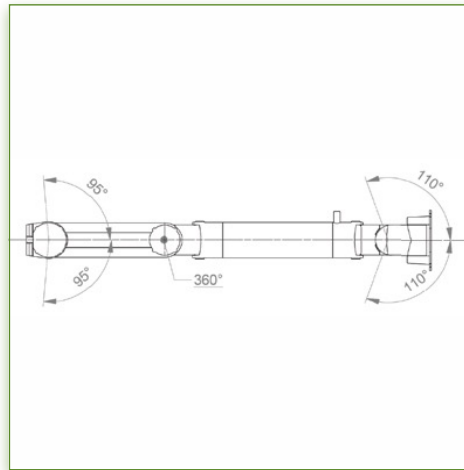
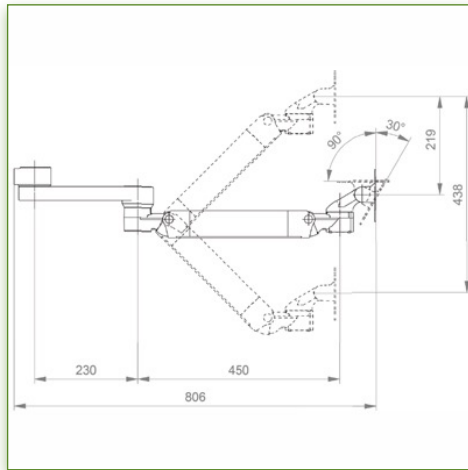
**Technical specifications:**

- \* Integrated cable channel
- \* Equipotential bonding
- \* Mounting on Philips IntelliSave Series Anesthesia / Siesta i/ Siesta i Whispa/ Siesta i Breasy Machine . Side adapter included,
- \* This arm simply fits into the adapter rail for Philips machines and then adjust to the desired and fixed height.
- \* It has a safety stop button for height adjustment, which allows the arm to remain in the chosen position.
- \* Installation specific to the high position (PH)
- \* The head of this arm complies with the screen mounting standard: VESA MIS-D 75 mm and 100 mm.
- \* Compatible with screens whose weight does not exceed 9-14 Kg.
- \* Touch screen stability.
- \* Screen tilt: 50° down and 100° up
- \* Screen rotation: 110° right, 110° left.
- \* Arm rotation: 105° to the right, 105° to the left.
- \* Height adjustment: 45° down, 45° up
- \* Total length 806 mm
- \* Compatible with multimedia terminals (TMM)
- \* Colour RAL 7024 (Graphite grey) and White
- \* All our medical arms are in conformity: CE, ROHS, Medical Grade, Regulations MDD 93/42 ECC.
- \* Warranty: 5 years

Note: This arm can also be installed on one of our medical columns or trolleys.



Display Compatibility: 26" Wide ( Weight)  
 Supported Weight: 9-14 Kg  
 VESA standard: 75 / 100 mm



Do not hesitate to contact us if you have any questions about this product.

**Warranty: 5 years**

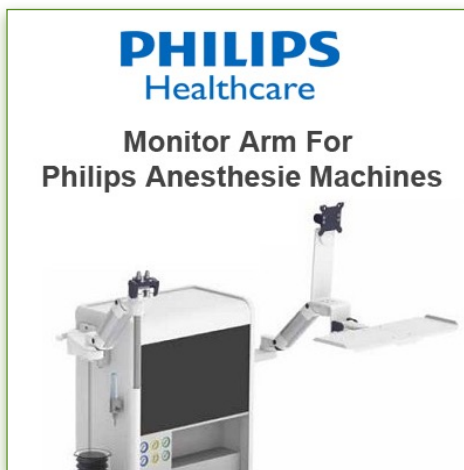
000.993.114-3

Graphite Grey and White

On Measure

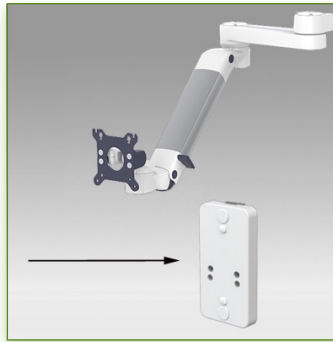
= Depending on the elements

993.114-3

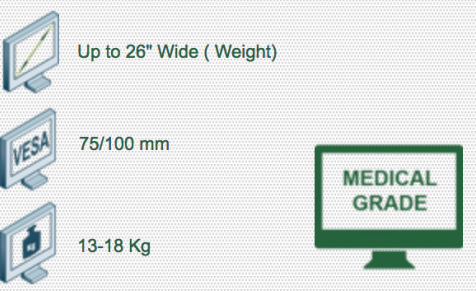


**Anti-bacterial properties:**

IT medical arms are now designed with Microban antibacterial protection, a revolutionary treatment that guarantees optimal hygiene. IT medical arms integrate Microban and other antibacterial agents into all medical products. It inhibits the growth of bacteria of all types. This is not a surface treatment. It is 100% in the totality of the product. It does not alter the physico-mechanical properties of the medical arm lift system. Simulations over 30 years show that 100% of the antibacterial properties are maintained. All medical articulated arms incorporate Microban. Microban is the world's leading provider of anti-bacterial solutions. It has been successfully applied for more than 35 years in a wide range of products used in the hospital, construction and food industries.



Display Compatibility: 26" Wide ( Weight)  
 Supported Weight: 13-18 Kg  
 VESA standard: 75 / 100 mm



Do not hesitate to contact us if you have any questions about this product.

**Warranty: 5 years**

000.993.114-4

Graphite Grey and White

On Measure

= Depending on the elements

993.114-4

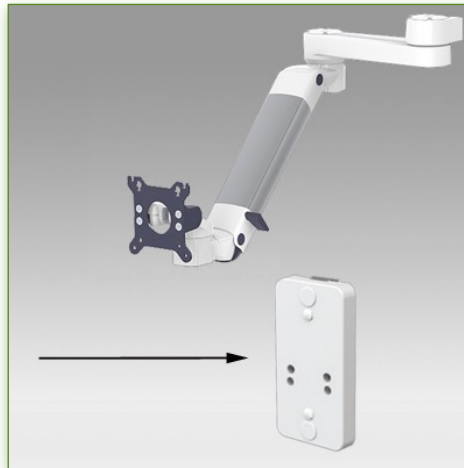
**PH Medical Monitor Arm (High Position) height adjustable 300 + 240 mm, Mounting on Philips IntelliSave Series/ Siesta i/ Siesta i Whispa/ Siesta i Breasy Anesthesia Machine**

This PH (High Position) Horizontal Medical Arm 300 + 240 mm with gas spring height adjustment allows the LCD screen to be perfectly fixed, oriented and adjusted. It is coated with an anti-microbial agent offering hygiene and cleaning down to the last detail. Its modern design has been specially designed for healthcare environments.

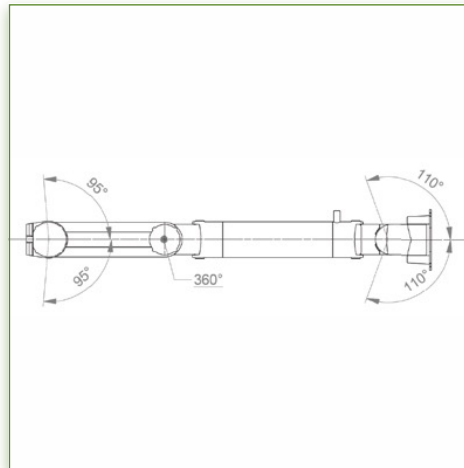
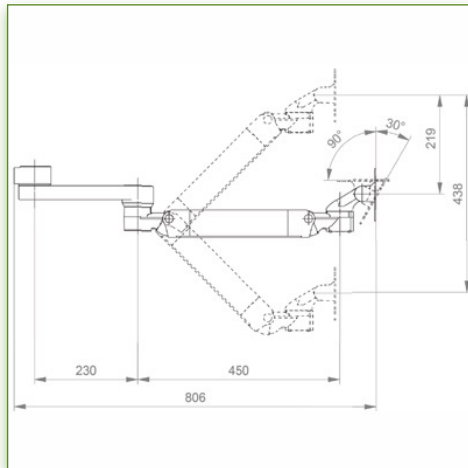
**Technical specifications:**

- \* Integrated cable channel \* Equipotential bonding
- \* Mounting on Philips IntelliSave Series Anesthesia / Siesta i/ Siesta i Whispa/ Siesta i Breasy Machine . Side adapter included,
- \* This arm simply fits into the adapter rail for Philips machines and then adjust to the desired and fixed height.
- \* It has a safety stop button for height adjustment, which allows the arm to remain in the chosen position.
- \* Installation specific to the high position (PH)
- \* The head of this arm complies with the screen mounting standard: VESA MIS-D 75 mm and 100 mm.
- \* Compatible with screens whose weight does not exceed 13-18 Kg.
- \* Touch screen stability.
- \* Screen tilt: 50° down and 100° up \* Screen rotation: 110° right, 110° left.
- \* Arm rotation: 105° to the right, 105° to the left.
- \* Height adjustment: 45° down, 45° up \* Total length 806 mm
- \* Compatible with multimedia terminals (TMM)
- \* Colour RAL 7024 (Graphite grey) and White
- \* All our medical arms are in conformity: CE, ROHS, Medical Grade, Regulations MDD 93/42 ECC.
- \* Warranty: 5 years

Note: This arm can also be installed on one of our medical columns or trolleys.



Display Compatibility: 26" Wide ( Weight)  
 Supported Weight: 13-18 Kg  
 VESA standard: 75 / 100 mm



Do not hesitate to contact us if you have any questions about this product.

- Warranty: 5 years**
- 000.993.114-4
- Graphite Grey and White
- On Measure
- = Depending on the elements
- 993.114-4



**PHILIPS**  
 Healthcare

**Monitor Arm For Philips Anaesthesia Machines**

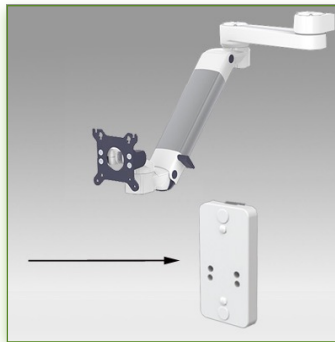
**Anti-bacterial properties:**

IT medical arms are now designed with Microban antibacterial protection, a revolutionary treatment that guarantees optimal hygiene. IT medical arms integrate Microban and other antibacterial agents into all medical products. It inhibits the growth of bacteria of all types. This is not a surface treatment.

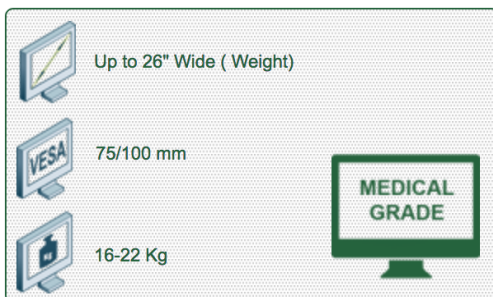
It is 100% in the totality of the product.

It does not alter the physico-mechanical properties of the medical arm lift system. Simulations over 30 years show that 100% of the antibacterial properties are maintained.

All medical articulated arms incorporate Microban. Microban is the world's leading provider of anti-bacterial solutions. It has been successfully applied for more than 35 years in a wide range of products used in the hospital, construction and food industries.



Display Compatibility: 26" Wide ( Weight)  
Supported Weight: 16-22 Kg  
VESA standard: 75 / 100 mm



Do not hesitate to contact us if you have any questions about this product.

Warranty: 5 years

000.993.114-5

Graphite Grey and White

On Measure

= Depending on the elements

993.114-5

**PH Medical Monitor Arm (High Position) height adjustable 300 + 240 mm, Mounting on Philips IntelliSave Series/ Siesta i/ Siesta i Whispa/ Siesta i Breasy Anesthesia Machine**

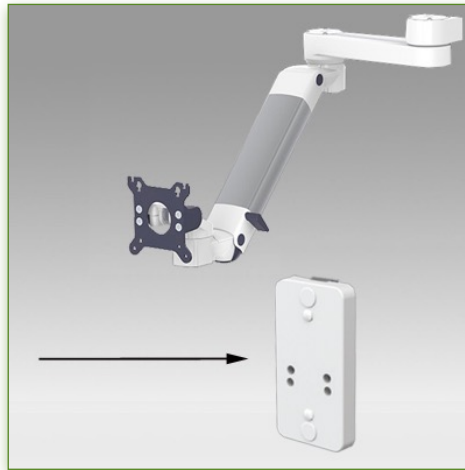
This PH (High Position) Horizontal Medical Arm 300 + 240 mm with gas spring height adjustment allows the LCD screen to be perfectly fixed, oriented and adjusted. It is coated with an anti-microbial agent offering hygiene and cleaning down to the last detail. Its modern design has been specially designed for healthcare environments.

**Technical specifications:**

- \* Integrated cable channel
- \* Equipotential bonding
- \* Mounting on Philips IntelliSave Series Anesthesia / Siesta i/ Siesta i Whispa/ Siesta i Breasy Machine . Side adapter included,
- \* This arm simply fits into the adapter rail for Philips machines and then adjust to the desired and fixed height.
- \* It has a safety stop button for height adjustment, which allows the arm to remain in the chosen position.
- \* Installation specific to the high position (PH)
- \* The head of this arm complies with the screen mounting standard: VESA MIS-D 75 mm and 100 mm.
- \* Compatible with screens whose weight does not exceed 16-22 Kg.
- \* Touch screen stability.
- \* Screen tilt: 50° down and 100° up
- \* Screen rotation: 110° right, 110° left.
- \* Arm rotation: 105° to the right, 105° to the left.
- \* Height adjustment: 45° down, 45° up
- \* Total length 806 mm
- \* Compatible with multimedia terminals (TMM)
- \* Colour RAL 7024 (Graphite grey) and White
- \* All our medical arms are in conformity: CE, ROHS, Medical Grade, Regulations MDD 93/42 ECC.
- \* Warranty: 5 years

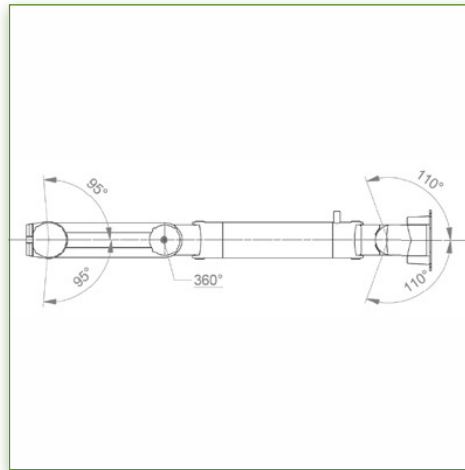
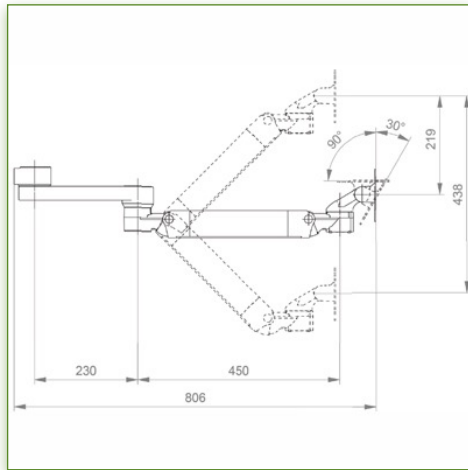
Note: This arm can also be installed on one of our medical columns or trolleys.





Display Compatibility: 26" Wide ( Weight)  
 Supported Weight: 16-22 Kg  
 VESA standard: 75 / 100 mm

Up to 26" Wide ( Weight)  
 75/100 mm  
 16-22 Kg  
**MEDICAL GRADE**



Do not hesitate to contact us if you have any questions about this product.

**Warranty: 5 years**

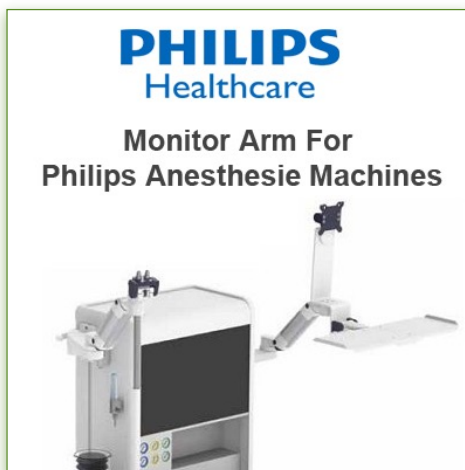
000.993.114-5

**Graphite Grey and White**

**On Measure**

= Depending on the elements

**993.114-5**



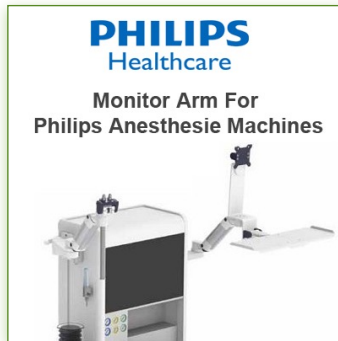
**Anti-bacterial properties:**

IT medical arms are now designed with Microban antibacterial protection, a revolutionary treatment that guarantees optimal hygiene. IT medical arms integrate Microban and other antibacterial agents into all medical products. It inhibits the growth of bacteria of all types. This is not a surface treatment.

It is 100% in the totality of the product.

It does not alter the physico-mechanical properties of the medical arm lift system. Simulations over 30 years show that 100% of the antibacterial properties are maintained.

All medical articulated arms incorporate Microban. Microban is the world's leading provider of anti-bacterial solutions. It has been successfully applied for more than 35 years in a wide range of products used in the hospital, construction and food industries.



Philips IntelliSave Series/  
Siesta i/ Siesta i Whispa/  
Siesta i Breasy Side Adapter  
Part Number: 993.145

**Philips IntelliSave Series/ Siesta i/ Siesta i Whispa/ Siesta i Breasy Anesthesia Machine Mounting Side Adapter**

Philips IntelliSave adapter compatible with all medical arms .  
It integrates all cables.  
Delivered with cable cover.

It is coated with an anti-microbial agent offering hygiene and cleaning down to the last detail. Its modern design has been specially designed for healthcare environments.

**Technical specifications:**

- \* Side Vertical Mounting
- \* Colour Aluminium
- \* All our medical arms are in conformity:  
CE, ROHS, Medical Grade, Regulations MDD 93/42 ECC.

Do not hesitate to contact us if you have any questions about this product.

Warranty: 5 years

000.993.145

Aluminium

On Measure

= Depending on the elements

993.145



Philips IntelliSave Series/  
Siesta i/ Siesta i Whispa/  
Siesta i Breasy Side Adapter  
Part Number: 993.145



Medical Grade



**PHILIPS**  
Healthcare  
Monitor Arm For  
Philips Anesthesie Machines



Do not hesitate to contact us if you have any questions about this product.



Warranty: 5 years



000.993.145



Aluminium



On Measure



= Depending on the elements



993.145

**Anti-bacterial properties:**

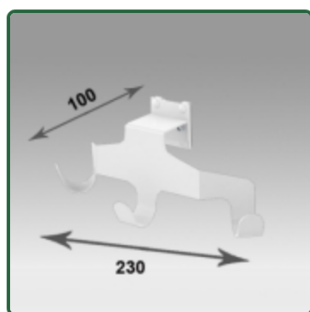
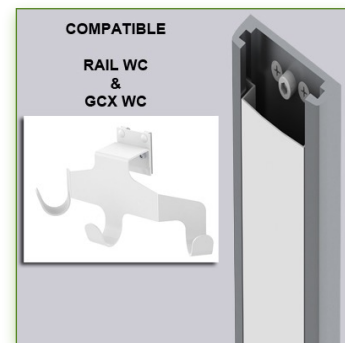
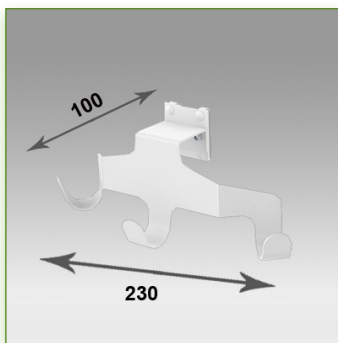
IT medical arms are now designed with Microban antibacterial protection, a revolutionary treatment that guarantees optimal hygiene. IT medical arms integrate Microban and other antibacterial agents into all medical products. It inhibits the growth of bacteria of all types. This is not a surface treatment.

It is 100% in the totality of the product.

It does not alter the physico-mechanical properties of the medical arm lift system. Simulations over 30 years show that 100% of the antibacterial properties are maintained.

All medical articulated arms incorporate Microban.

Microban is the world's leading provider of anti-bacterial solutions. It has been successfully applied for more than 35 years in a wide range of products used in the hospital, construction and food industries.



Triple cable hooks, mounting on Wall Rail  
 Part Number: 999.157

Do not hesitate to contact us if you have any questions about this product.

**Warranty: 5 years**

000.999.157

Graphite grey

On Measure

= Depending on the elements

999.157

**Triple cable hooks for vertical sliding wall rail mounting**

This cable hook with its vertical wall rail mounting interface is the ideal complement when certain cables that are too long have to be suspended.

It is coated with an anti-microbial agent offering hygiene and cleaning down to the last detail. Its modern design has been specially designed for healthcare environments.

**Technical specifications:**

\* Optional Vertical Wall Rail Mounting, several lengths available (480 mm - 720 mm - 960 mm - 1200 mm).

These wall rails can be easily cut to the required size. All cables also pass through the wall rail.

\* Optional mounting on worktop or floor or ceiling column, several heights of which are available:  
 ( 300 mm - 500 mm - 1500 mm - 2000 mm )

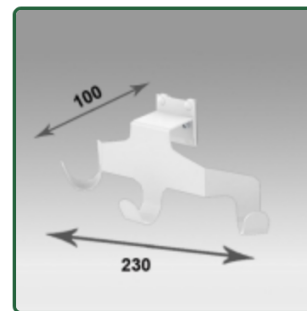
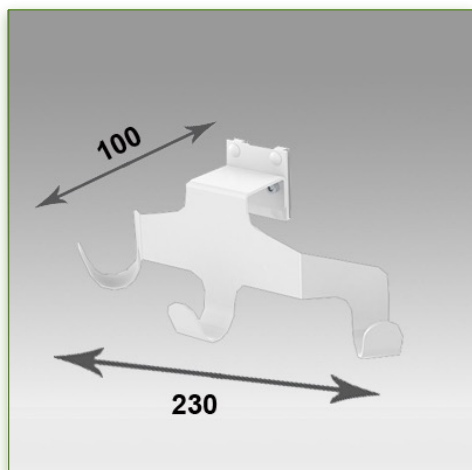
\* Hook for cable with three pins

\* Length 230 mm

\* Wall Mount

\* Colour RAL 7024 (Graphite grey)

\* All our medical arms are in conformity:  
 CE, ROHS, Medical Grade, Regulations MDD 93/42 ECC.  
 Warranty: 5 years



Triple cable hooks, mounting  
on Wall Rail

Part Number: 999.157



Medical Grade



Do not hesitate to contact us if you have any questions about this product.



Warranty: 5 years



000.999.157



Graphite grey



On Measure



= Depending on the elements



999.157

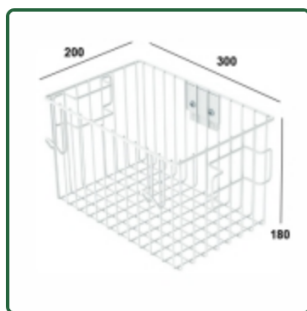
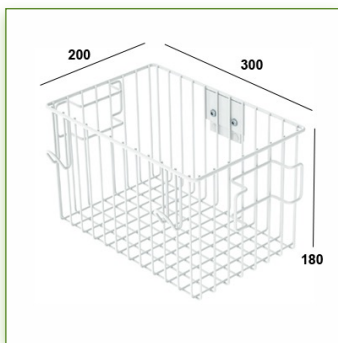
**Anti-bacterial properties:**

IT medical arms are now designed with Microban antibacterial protection, a revolutionary treatment that guarantees optimal hygiene. IT medical arms integrate Microban and other antibacterial agents into all medical products. It inhibits the growth of bacteria of all types. This is not a surface treatment.

It is 100% in the totality of the product.

It does not alter the physico-mechanical properties of the medical arm lift system. Simulations over 30 years show that 100% of the antibacterial properties are maintained.

All medical articulated arms incorporate Microban. Microban is the world's leading provider of anti-bacterial solutions. It has been successfully applied for more than 35 years in a wide range of products used in the hospital, construction and food industries.



Large Service Basket  
Mounting on Wall Rail

Part Number: 999.154



Do not hesitate to contact us if you have any questions about this product.



Warranty: 5 years



000.999.154



Anodised aluminium



On Measure



= Depending on the elements



999.154

### Large service basket 200 x 300 x 180 mm on vertical sliding wall rail

Large service basket in anodised aluminium.

Its open structure allows direct access to its contents.

It is coated with an anti-microbial agent offering hygiene and cleaning down to the last detail. Its modern design has been specially designed for healthcare environments.

#### Technical specifications:

\* Optional Vertical Wall Rail Mounting, several lengths available (480 mm - 720 mm - 960 mm - 1200 mm).

These wall rails can be easily cut to the required size. All cables also pass through the wall rail.

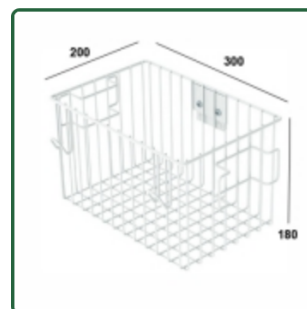
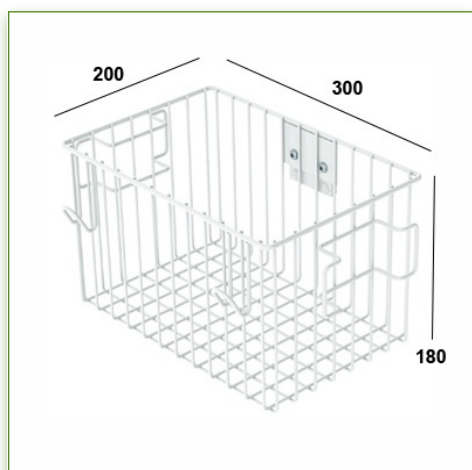
\* Optional mounting on worktop or floor or ceiling column, several heights of which are available:  
( 300 mm - 500 mm - 1500 mm - 2000 mm )

\* Dimensions: 180 x 300 x 200 mm

\* Colour Anodised aluminium

\* All our medical arms are in conformity:  
CE, ROHS, Medical Grade, Regulations MDD 93/42 ECC.

\* Warranty: 5 years



Large Service Basket  
Mounting on Wall Rail

Part Number: 999.154



Medical Grade



Do not hesitate to contact us if you have any questions about this product.



Warranty: 5 years



000.999.154



Anodised aluminium



On Measure



= Depending on the elements



999.154

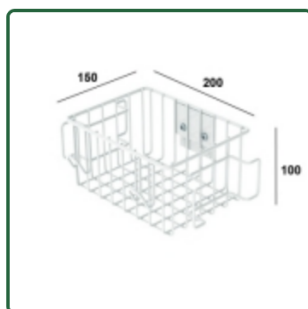
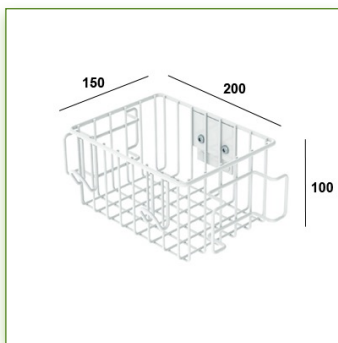
**Anti-bacterial properties:**

IT medical arms are now designed with Microban antibacterial protection, a revolutionary treatment that guarantees optimal hygiene. IT medical arms integrate Microban and other antibacterial agents into all medical products. It inhibits the growth of bacteria of all types. This is not a surface treatment.

It is 100% in the totality of the product.

It does not alter the physico-mechanical properties of the medical arm lift system. Simulations over 30 years show that 100% of the antibacterial properties are maintained.

All medical articulated arms incorporate Microban. Microban is the world's leading provider of anti-bacterial solutions. It has been successfully applied for more than 35 years in a wide range of products used in the hospital, construction and food industries.



Small Service Basket  
Mounting on Wall Rail

Part Number: 999.155



Do not hesitate to contact us if you have any questions about this product.



Warranty: 5 years



000.999.155



Anodised aluminium



On Measure



= Depending on the elements



999.155

### Small service basket 100 x 150 x 200 mm on vertical sliding wall rail

Small service basket in anodized aluminium.

Its open structure allows direct access to its contents.

It is coated with an anti-microbial agent offering hygiene and cleaning down to the last detail. Its modern design has been specially designed for healthcare environments.

#### Technical specifications:

\* Optional Vertical Wall Rail Mounting, several lengths available (480 mm - 720 mm - 960 mm - 1200 mm).

These wall rails can be easily cut to the required size. All cables also pass through the wall rail.

\* Optional mounting on worktop or floor or ceiling column, several heights of which are available:  
( 300 mm - 500 mm - 1500 mm - 2000 mm )

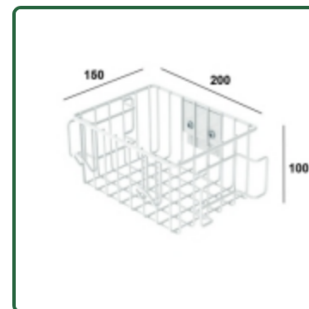
\* Dimensions: 100 x 150 x 200 mm

\* Colour Anodised aluminium

\* All our medical arms are in conformity:  
CE, ROHS, Medical Grade, Regulations MDD 93/42 ECC.

\* Warranty: 5 years





Small Service Basket  
Mounting on Wall Rail

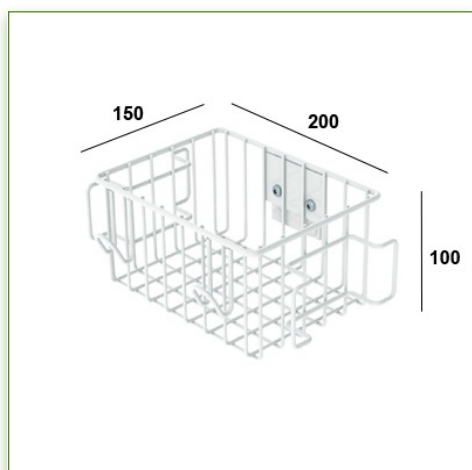
Part Number: 999.155



Medical Grade



Do not hesitate to contact us if you have any questions about this product.



Warranty: 5 years



000.999.155



Anodised aluminium



On Measure



= Depending on the elements



999.155

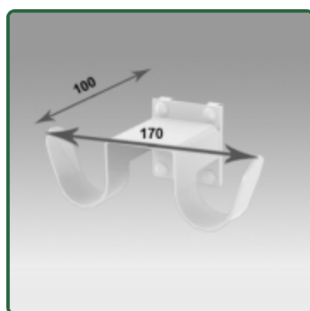
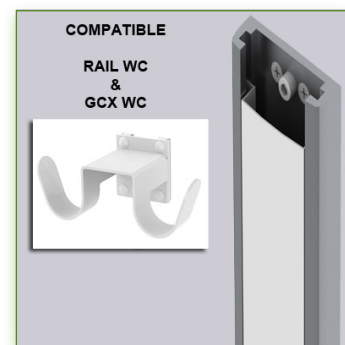
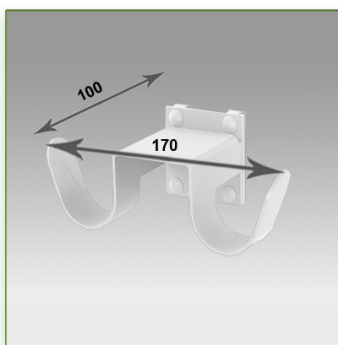
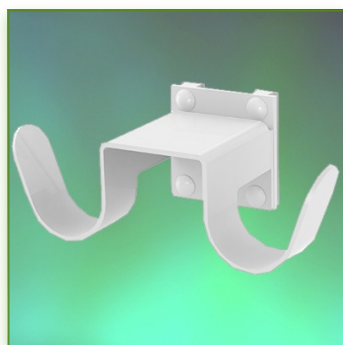
**Anti-bacterial properties:**

IT medical arms are now designed with Microban antibacterial protection, a revolutionary treatment that guarantees optimal hygiene. IT medical arms integrate Microban and other antibacterial agents into all medical products. It inhibits the growth of bacteria of all types. This is not a surface treatment.


It is 100% in the totality of the product.

It does not alter the physico-mechanical properties of the medical arm lift system. Simulations over 30 years show that 100% of the antibacterial properties are maintained.


All medical articulated arms incorporate Microban. Microban is the world's leading provider of anti-bacterial solutions. It has been successfully applied for more than 35 years in a wide range of products used in the hospital, construction and food industries.



Double cable hooks Mounting on Wall Rail  
 Part Number: 999.156

 Do not hesitate to contact us if you have any questions about this product.

 **Warranty: 5 years**

 000.999.156

 Graphite grey

 On Measure

 = Depending on the elements

 999.156

### Double cable hooks for vertical sliding wall rail mounting

This cable hook with its vertical wall rail mounting interface is the ideal complement when certain cables that are too long have to be suspended.

It is coated with an anti-microbial agent offering hygiene and cleaning down to the last detail. Its modern design has been specially designed for healthcare environments.

#### Technical specifications:

\* Optional Vertical Wall Rail Mounting, several lengths available (480 mm - 720 mm - 960 mm - 1200 mm).

These wall rails can be easily cut to the required size. All cables also pass through the wall rail.

\* Optional mounting on worktop or floor or ceiling column, several heights of which are available:  
 ( 300 mm - 500 mm - 1500 mm - 2000 mm )

\* Cable hook with two pins

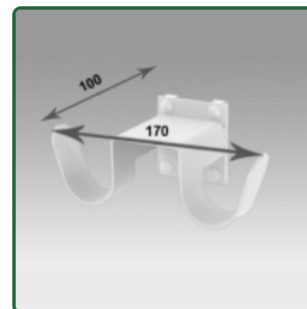
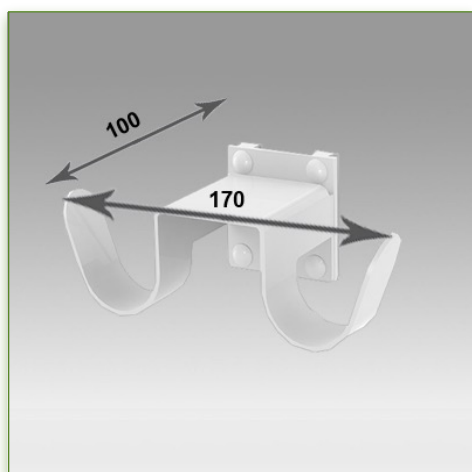
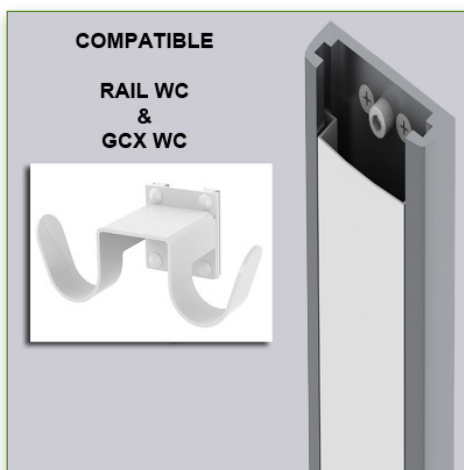
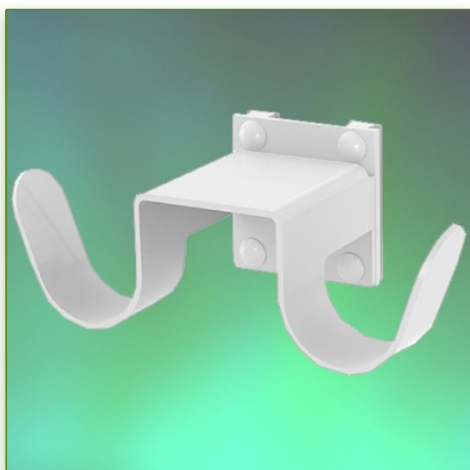
\* Length 170 mm

\* Wall Mount

\* Colour RAL 7024 (Graphite grey)

\* All our medical arms are in conformity:  
 CE, ROHS, Medical Grade, Regulations MDD 93/42 ECC.

\* Warranty: 5 years



Double cable hooks Mounting on Wall Rail

Part Number: 999.156



Medical Grade



Do not hesitate to contact us if you have any questions about this product.



Warranty: 5 years



000.999.156



Graphite grey



On Measure



= Depending on the elements



999.156

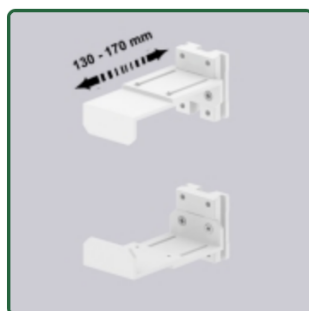
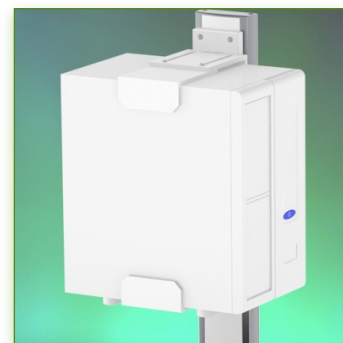
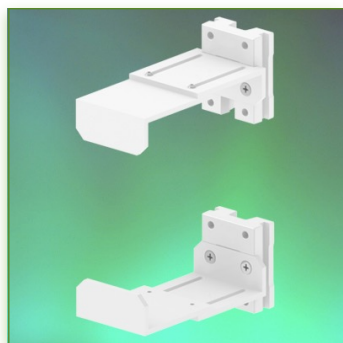
**Anti-bacterial properties:**

IT medical arms are now designed with Microban antibacterial protection, a revolutionary treatment that guarantees optimal hygiene. IT medical arms integrate Microban and other antibacterial agents into all medical products. It inhibits the growth of bacteria of all types. This is not a surface treatment.

It is 100% in the totality of the product.

It does not alter the physico-mechanical properties of the medical arm lift system. Simulations over 30 years show that 100% of the antibacterial properties are maintained.

All medical articulated arms incorporate Microban. Microban is the world's leading provider of anti-bacterial solutions. It has been successfully applied for more than 35 years in a wide range of products used in the hospital, construction and food industries.



CPU holder Adjustable  
 130-170 mm mounting on  
 Wall Rail

Part Number: 999.161



Do not hesitate to contact us if you have any questions about this product.



Warranty: 5 years



000.999.161



Graphite Grey



On Measure



= Depending on the elements



999.161

### Adjustable CPU Holder 130-170 mm on vertical sliding wall rail

This CPU support is adjustable in width and height and is suitable for the majority of CPU's on the market.

It is coated with an anti-microbial agent offering hygiene and cleaning down to the last detail. Its modern design has been specially designed for healthcare environments.

#### Technical specifications:

\* Optional Vertical Wall Rail Mounting, several lengths available (480 mm - 720 mm - 960 mm - 1200 mm).

These wall rails can be easily cut to the required size. All cables also pass through the wall rail.

\* Optional mounting on worktop or floor or ceiling column, several heights of which are available:  
 ( 300 mm - 500 mm - 1500 mm - 2000 mm )

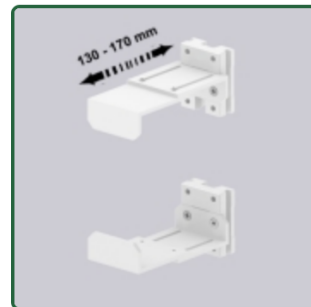
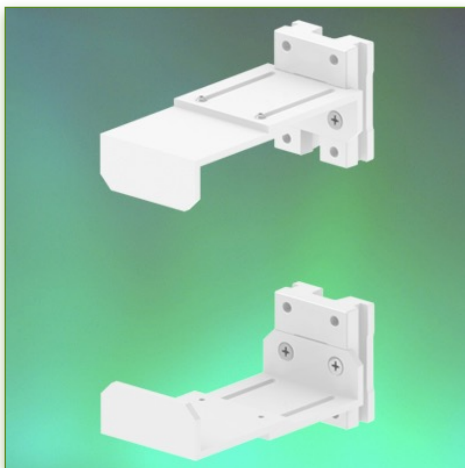
\* Adjustable in height according to the length of the wall rail

\* Adjustable width from 130 to 170 mm

\* Colour RAL 7024 (Graphite grey)

\* All our medical arms are in conformity:  
 CE, ROHS, Medical Grade, Regulations MDD 93/42 ECC.

\* Warranty: 5 years



CPU holder Adjustable  
130-170 mm mounting on  
Wall Rail

Part Number: 999.161



Medical Grade



Do not hesitate to contact us if you have any questions about this product.



Warranty: 5 years



000.999.161



Graphite Grey



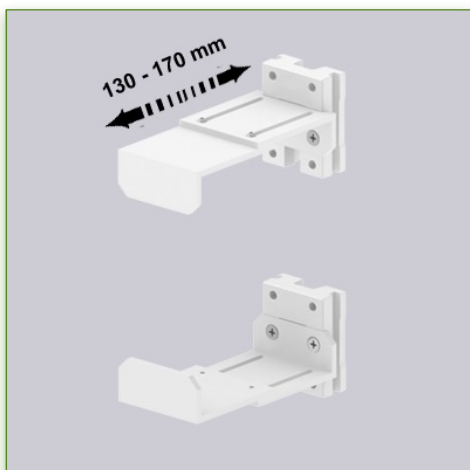
On Measure



= Depending on the elements



999.161



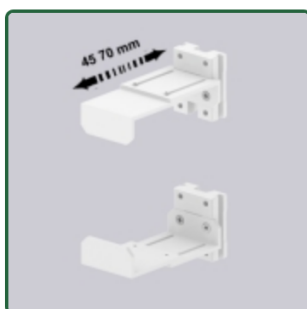
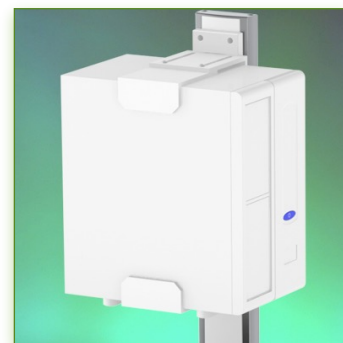
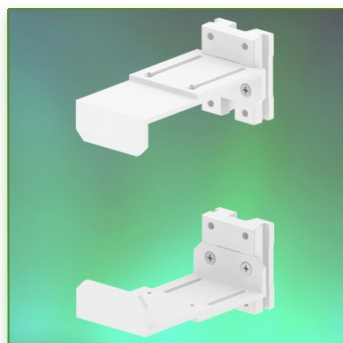
**Anti-bacterial properties:**

IT medical arms are now designed with Microban antibacterial protection, a revolutionary treatment that guarantees optimal hygiene. IT medical arms integrate Microban and other antibacterial agents into all medical products. It inhibits the growth of bacteria of all types. This is not a surface treatment.

It is 100% in the totality of the product.

It does not alter the physico-mechanical properties of the medical arm lift system. Simulations over 30 years show that 100% of the antibacterial properties are maintained.

All medical articulated arms incorporate Microban. Microban is the world's leading provider of anti-bacterial solutions. It has been successfully applied for more than 35 years in a wide range of products used in the hospital, construction and food industries.



CPU holder Adjustable  
45-70 mm  
mounting on Wall Rail

Part Number: 999.158



Do not hesitate to contact us if you have any questions about this product.



Warranty: 5 years



000.999.158



Graphite Grey



On Measure



= Depending on the elements



999.158

### Adjustable CPU Holder 45-70 mm on vertical sliding wall rail

This CPU support is adjustable in width and height and is suitable for the majority of CPU's on the market.

It is coated with an anti-microbial agent offering hygiene and cleaning down to the last detail. Its modern design has been specially designed for healthcare environments.

#### Technical specifications:

\* Optional Vertical Wall Rail Mounting, several lengths available (480 mm - 720 mm - 960 mm - 1200 mm).

These wall rails can be easily cut to the required size. All cables also pass through the wall rail.

\* Optional mounting on worktop or floor or ceiling column, several heights of which are available:  
( 300 mm - 500 mm - 1500 mm - 2000 mm )

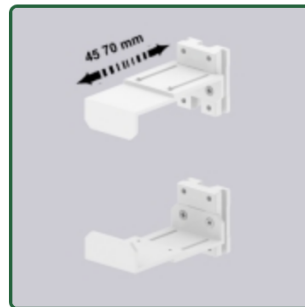
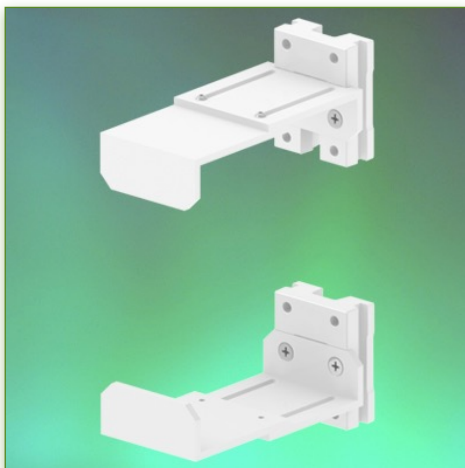
\* Adjustable in height according to the length of the wall rail

\* Adjustable width from 45 to 70 mm

\* Colour RAL 7024 (Graphite grey)

\* All our medical arms are in conformity:  
CE, ROHS, Medical Grade, Regulations MDD 93/42 ECC.

\* Warranty: 5 years



CPU holder Adjustable  
45-70 mm  
mounting on Wall Rail

Part Number: 999.158



Medical Grade



Do not hesitate to contact us if you have any questions about this product.



COMPATIBLE

RAIL WC  
&  
GCX WC



Warranty: 5 years



000.999.158



Graphite Grey



On Measure



= Depending on the elements



999.158

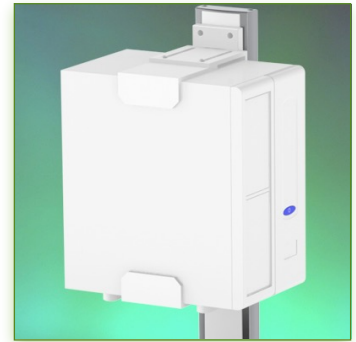
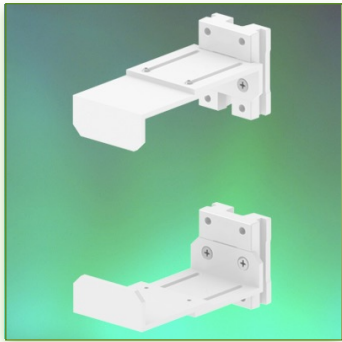
**Anti-bacterial properties:**

IT medical arms are now designed with Microban antibacterial protection, a revolutionary treatment that guarantees optimal hygiene. IT medical arms integrate Microban and other antibacterial agents into all medical products. It inhibits the growth of bacteria of all types. This is not a surface treatment.

It is 100% in the totality of the product.

It does not alter the physico-mechanical properties of the medical arm lift system. Simulations over 30 years show that 100% of the antibacterial properties are maintained.

All medical articulated arms incorporate Microban. Microban is the world's leading provider of anti-bacterial solutions. It has been successfully applied for more than 35 years in a wide range of products used in the hospital, construction and food industries.



CPU holder Adjustable  
60-100 mm  
mounting on Wall Rail

Part Number: 999.159



Do not hesitate to contact us if you have any questions about this product.



Warranty: 5 years



000.999.159



Graphite Grey



On Measure



= Depending on the elements



999.159

### Adjustable CPU Holder 60-100 mm on vertical sliding wall rail

This CPU support is adjustable in width and height and is suitable for the majority of CPU's on the market.

It is coated with an anti-microbial agent offering hygiene and cleaning down to the last detail. Its modern design has been specially designed for healthcare environments.

#### Technical specifications:

\* Optional Vertical Wall Rail Mounting, several lengths available (480 mm - 720 mm - 960 mm - 1200 mm).

These wall rails can be easily cut to the required size. All cables also pass through the wall rail.

\* Optional mounting on worktop or floor or ceiling column, several heights of which are available:  
( 300 mm - 500 mm - 1500 mm - 2000 mm )

\* Adjustable in height according to the length of the wall rail

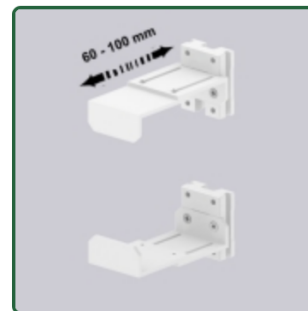
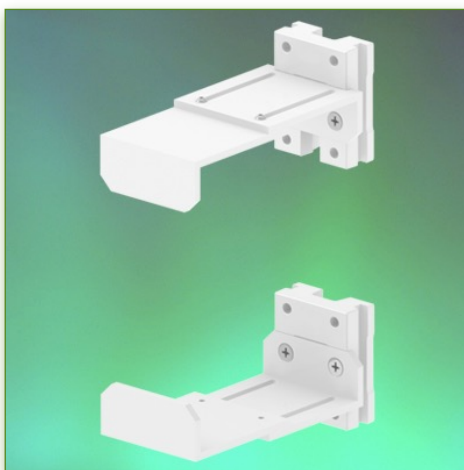
\* Adjustable width from 60 to 100 mm

\* Colour RAL 7024 (Graphite grey)

\* All our medical arms are in conformity:  
CE, ROHS, Medical Grade, Regulations MDD 93/42 ECC.

\* Warranty: 5 years





CPU holder Adjustable  
60-100 mm  
mounting on Wall Rail

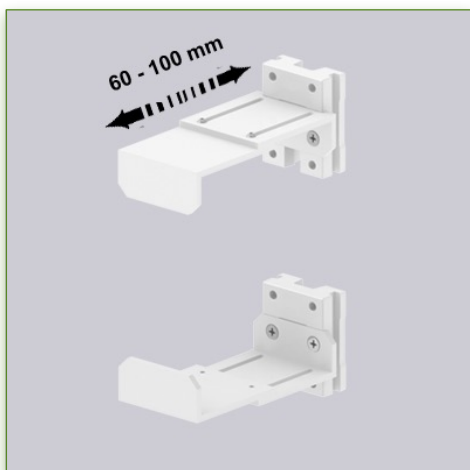
Part Number: 999.159



**Medical Grade**



Do not hesitate to contact us if you have any questions about this product.



Warranty: 5 years



000.999.159



Graphite Grey



On Measure



= Depending on the elements



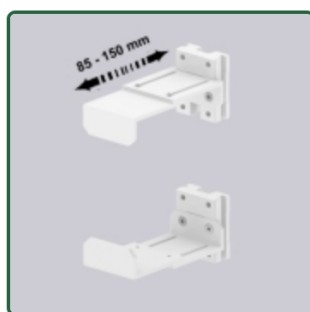
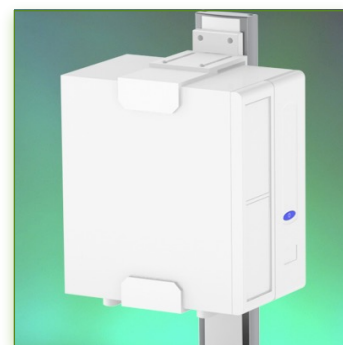
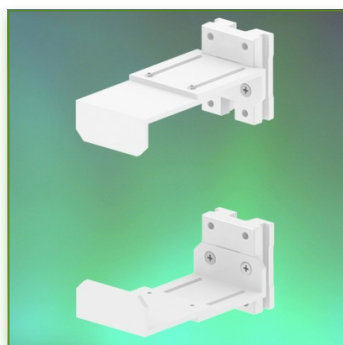
999.159

**Anti-bacterial properties:**

IT medical arms are now designed with Microban antibacterial protection, a revolutionary treatment that guarantees optimal hygiene. IT medical arms integrate Microban and other antibacterial agents into all medical products. It inhibits the growth of bacteria of all types. This is not a surface treatment.

It is 100% in the totality of the product. It does not alter the physico-mechanical properties of the medical arm lift system. Simulations over 30 years show that 100% of the antibacterial properties are maintained.

All medical articulated arms incorporate Microban. Microban is the world's leading provider of anti-bacterial solutions. It has been successfully applied for more than 35 years in a wide range of products used in the hospital, construction and food industries.



CPU holder Adjustable  
 85-150 mm  
 mounting on Wall Rail  
 Part Number: 999.160

Do not hesitate to contact us if you have any questions about this product.

**Warranty: 5 years**

000.999.160

Graphite Grey

On Measure

= Depending on the elements

999.160

### Adjustable CPU Holder 85-150 mm on vertical sliding wall rail

This CPU support is adjustable in width and height and is suitable for the majority of CPU's on the market.

It is coated with an anti-microbial agent offering hygiene and cleaning down to the last detail. Its modern design has been specially designed for healthcare environments.

#### Technical specifications:

\* Optional Vertical Wall Rail Mounting, several lengths available (480 mm - 720 mm - 960 mm - 1200 mm).

These wall rails can be easily cut to the required size. All cables also pass through the wall rail.

\* Optional mounting on worktop or floor or ceiling column, several heights of which are available:  
 ( 300 mm - 500 mm - 1500 mm - 2000 mm )

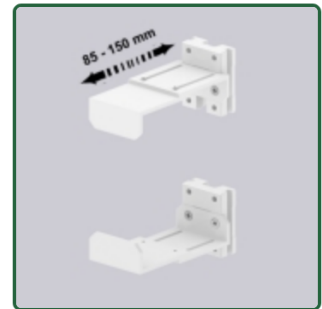
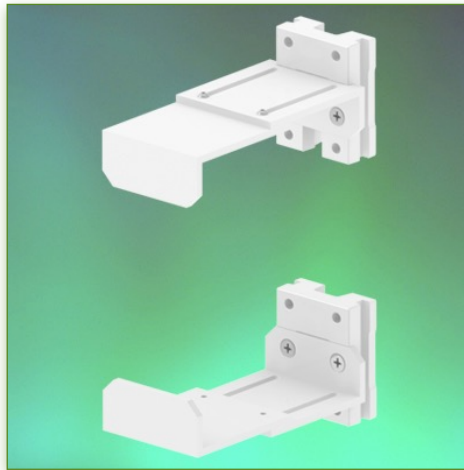
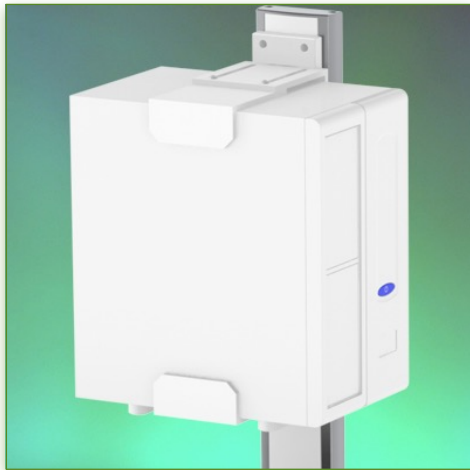
\* Adjustable in height according to the length of the wall rail

\* Adjustable width from 85 to 150 mm

\* Colour RAL 7024 (Graphite grey)

\* All our medical arms are in conformity:  
 CE, ROHS, Medical Grade, Regulations MDD 93/42 ECC.

\* Warranty: 5 years



CPU holder Adjustable  
85-150 mm  
mounting on Wall Rail

Part Number: 999.160



Medical Grade



Do not hesitate to contact us if you have any questions about this product.



Warranty: 5 years



000.999.160



Graphite Grey



On Measure



= Depending on the elements



999.160



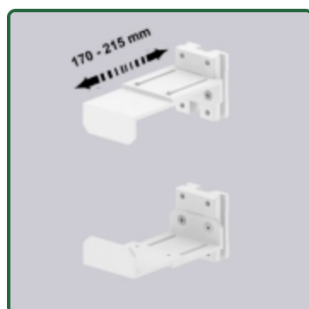
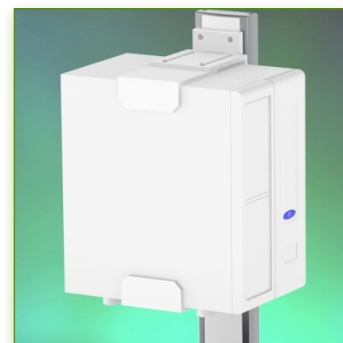
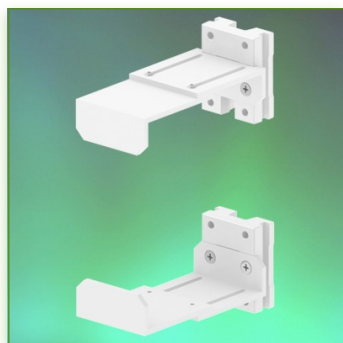
**Anti-bacterial properties:**

IT medical arms are now designed with Microban antibacterial protection, a revolutionary treatment that guarantees optimal hygiene. IT medical arms integrate Microban and other antibacterial agents into all medical products. It inhibits the growth of bacteria of all types. This is not a surface treatment.

It is 100% in the totality of the product.

It does not alter the physico-mechanical properties of the medical arm lift system. Simulations over 30 years show that 100% of the antibacterial properties are maintained.

All medical articulated arms incorporate Microban. Microban is the world's leading provider of anti-bacterial solutions. It has been successfully applied for more than 35 years in a wide range of products used in the hospital, construction and food industries.



CPU holder Adjustable  
170-215 mm mounting on  
Wall Rail

Part Number: 999.162



Do not hesitate to contact us if you have any questions about this product.



Warranty: 5 years



000.999.162



Graphite Grey



On Measure



= Depending on the elements



999.162

### Adjustable CPU Holder 170-215 mm on vertical sliding wall rail

This CPU support is adjustable in width and height and is suitable for the majority of CPU's on the market.

It is coated with an anti-microbial agent offering hygiene and cleaning down to the last detail. Its modern design has been specially designed for healthcare environments.

#### Technical specifications:

\* Optional Vertical Wall Rail Mounting, several lengths available (480 mm - 720 mm - 960 mm - 1200 mm).

These wall rails can be easily cut to the required size. All cables also pass through the wall rail.

\* Optional mounting on worktop or floor or ceiling column, several heights of which are available:  
( 300 mm - 500 mm - 1500 mm - 2000 mm )

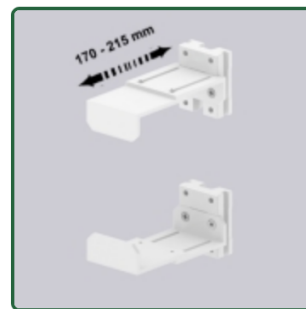
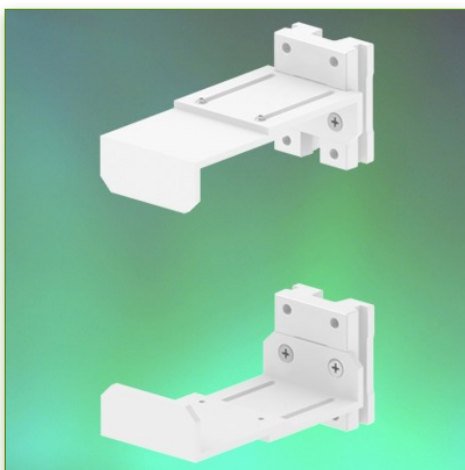
\* Adjustable in height according to the length of the wall rail

\* Adjustable width from 170 to 215 mm

\* Colour RAL 7024 (Graphite grey)

\* All our medical arms are in conformity:  
CE, ROHS, Medical Grade, Regulations MDD 93/42 ECC.

\* Warranty: 5 years



CPU holder Adjustable  
170-215 mm mounting on  
Wall Rail

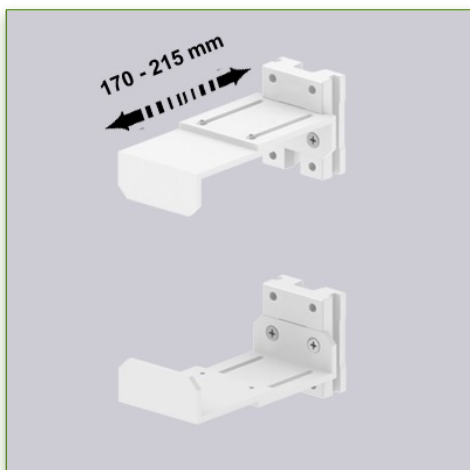
Part Number: 999.162



**Medical Grade**



Do not hesitate to contact us if you have any questions about this product.



Warranty: 5 years



000.999.162



Graphite Grey



On Measure



= Depending on the elements



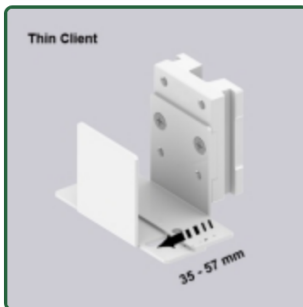
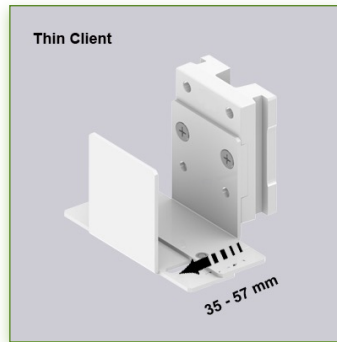
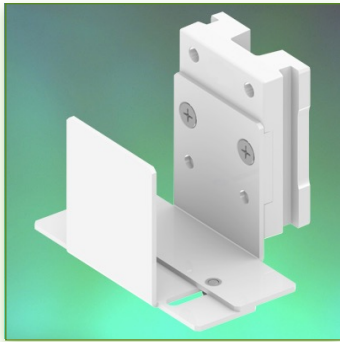
999.162

**Anti-bacterial properties:**

IT medical arms are now designed with Microban antibacterial protection, a revolutionary treatment that guarantees optimal hygiene. IT medical arms integrate Microban and other antibacterial agents into all medical products. It inhibits the growth of bacteria of all types. This is not a surface treatment.

It is 100% in the totality of the product. It does not alter the physico-mechanical properties of the medical arm lift system. Simulations over 30 years show that 100% of the antibacterial properties are maintained.

All medical articulated arms incorporate Microban. Microban is the world's leading provider of anti-bacterial solutions. It has been successfully applied for more than 35 years in a wide range of products used in the hospital, construction and food industries.



Universal Stand Adjustable  
 35-57 mm mounting on Wall  
 Rail

Part Number: 999.163



Do not hesitate to contact us if you have any questions about this product.



Warranty: 5 years



000.999.163



Graphite Grey



On Measure



= Depending on the elements



999.163

### Adjustable 35-57 mm Universal Holder on vertical sliding wall rail

This universal adjustable width and height support is suitable for the majority of small machines on the market.

It is coated with an anti-microbial agent offering hygiene and cleaning down to the last detail. Its modern design has been specially designed for healthcare environments.

#### Technical specifications:

\* Optional Vertical Wall Rail Mounting, several lengths available (480 mm - 720 mm - 960 mm - 1200 mm).

These wall rails can be easily cut to the required size. All cables also pass through the wall rail.

\* Optional mounting on worktop or floor or ceiling column, several heights of which are available:  
 ( 300 mm - 500 mm - 1500 mm - 2000 mm )

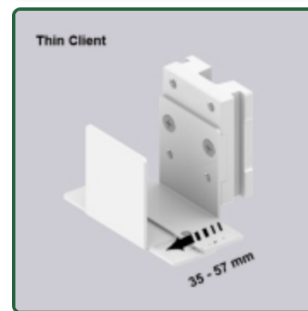
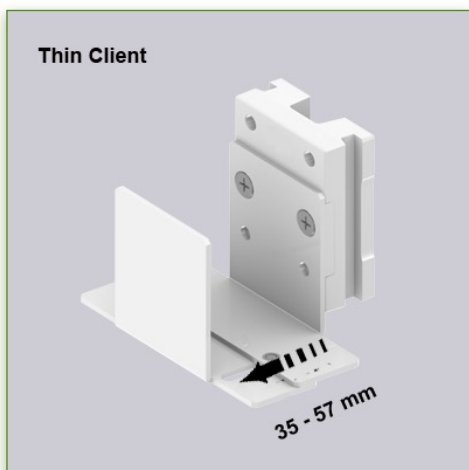
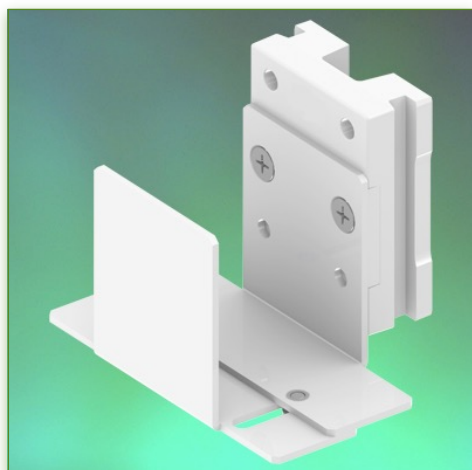
\* Adjustable in height according to the length of the wall rail

\* Adjustable width from 35 to 57 mm

\* Colour RAL 7024 (Graphite grey)


\* All our medical arms are in conformity:  
 CE, ROHS, Medical Grade, Regulations MDD 93/42 ECC.

\* Warranty: 5 years



Universal Stand Adjustable  
35-57 mm mounting on Wall  
Rail  
Part Number: 999.163



 Do not hesitate to contact us if you have any questions about this product.

 Warranty: 5 years

 000.999.163

 Graphite Grey

 On Measure

 = Depending on the elements

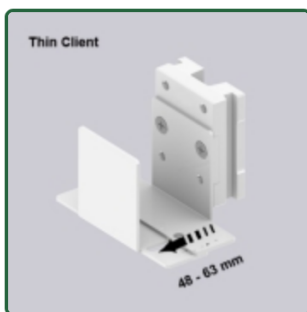
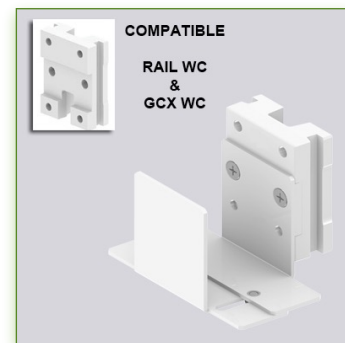
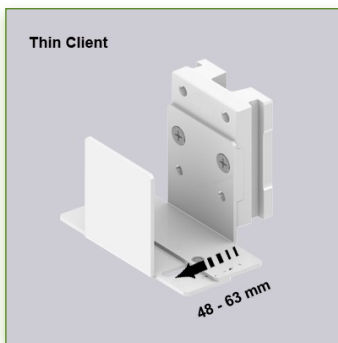
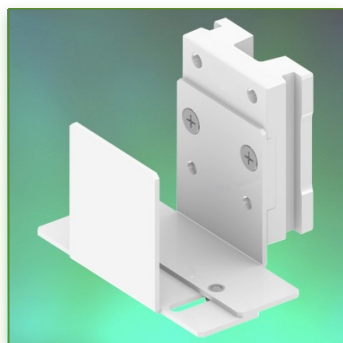
 999.163

**Anti-bacterial properties:**

IT medical arms are now designed with Microban antibacterial protection, a revolutionary treatment that guarantees optimal hygiene. IT medical arms integrate Microban and other antibacterial agents into all medical products. It inhibits the growth of bacteria of all types. This is not a surface treatment.

It is 100% in the totality of the product. It does not alter the physico-mechanical properties of the medical arm lift system. Simulations over 30 years show that 100% of the antibacterial properties are maintained.

All medical articulated arms incorporate Microban. Microban is the world's leading provider of anti-bacterial solutions. It has been successfully applied for more than 35 years in a wide range of products used in the hospital, construction and food industries.



Universal Stand Adjustable  
 48-63 mm mounting on Wall  
 Rail  
 Part Number: 999.164



Do not hesitate to contact us if you have any questions about this product.



Warranty: 5 years



000.999.164



Graphite Grey



On Measure



= Depending on the elements



999.164

### Adjustable 48-63 mm Universal Holder on vertical sliding wall rail

This universal adjustable width and height support is suitable for the majority of small machines on the market.

It is coated with an anti-microbial agent offering hygiene and cleaning down to the last detail. Its modern design has been specially designed for healthcare environments.

#### Technical specifications:

\* Optional Vertical Wall Rail Mounting, several lengths available (480 mm - 720 mm - 960 mm - 1200 mm).

These wall rails can be easily cut to the required size. All cables also pass through the wall rail.

\* Optional mounting on worktop or floor or ceiling column, several heights of which are available:  
 ( 300 mm - 500 mm - 1500 mm - 2000 mm )

\* Adjustable in height according to the length of the wall rail

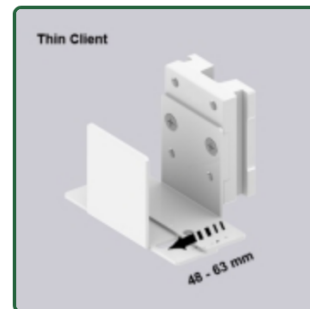
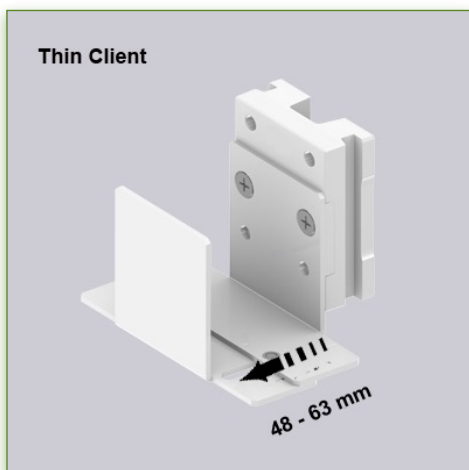
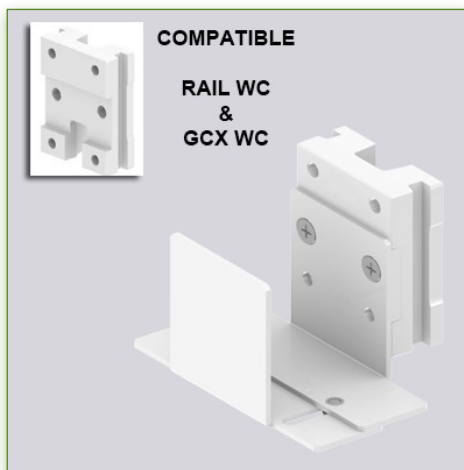
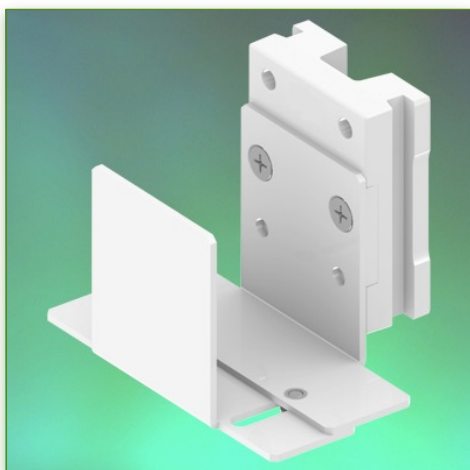
\* Adjustable width from 48 to 63 mm

\* Colour RAL 7024 (Graphite grey)

\* All our medical arms are in conformity:  
 CE, ROHS, Medical Grade, Regulations MDD 93/42 ECC.

\* Warranty: 5 years





Universal Stand Adjustable  
48-63 mm mounting on Wall  
Rail

Part Number: 999.164



Do not hesitate to contact us if you have any questions about this product.



Warranty: 5 years



000.999.164



Graphite Grey



On Measure



= Depending on the elements



999.164

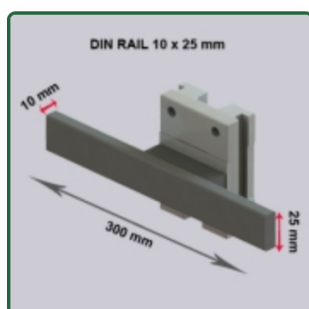
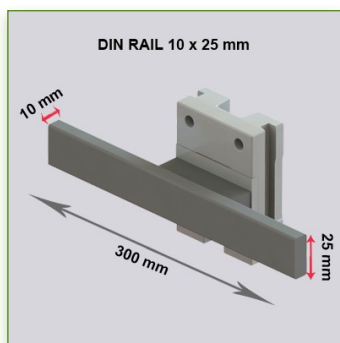
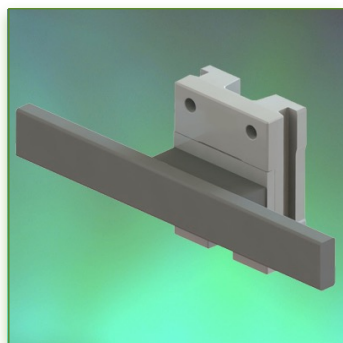
**Anti-bacterial properties:**

IT medical arms are now designed with Microban antibacterial protection, a revolutionary treatment that guarantees optimal hygiene. IT medical arms integrate Microban and other antibacterial agents into all medical products. It inhibits the growth of bacteria of all types. This is not a surface treatment.

It is 100% in the totality of the product.

It does not alter the physico-mechanical properties of the medical arm lift system. Simulations over 30 years show that 100% of the antibacterial properties are maintained.

All medical articulated arms incorporate Microban. Microban is the world's leading provider of anti-bacterial solutions. It has been successfully applied for more than 35 years in a wide range of products used in the hospital, construction and food industries.



Din Rail 10 x 25 mm.  
Length of 300 mm  
Mounting on Wall Rail  
Référence: 999.169



Do not hesitate to contact us if you have any questions about this product.



Warranty: 5 years



000.999.169



Graphite Grey



On Measure



= Depending on the elements



999.169

### Din Rail adapter 10 x 25 mm. Length 300 mm Mounting on vertical sliding wall rail

This Din Rail Horizontal adapter allows the attachment of all medical accessories with the Din Rail 10 x 25 mm interface. Ideal complement when no Din Rails are available or absent to add other elements. It is coated with an anti-microbial agent offering hygiene and cleaning down to the last detail. Its modern design has been specially designed for healthcare environments.

#### Technical specifications:

\* Optional Vertical Wall Rail Mounting, several lengths available (480 mm - 720 mm - 960 mm - 1200 mm).

These wall rails can be easily cut to the required size. All cables also pass through the wall rail.

\* Optional mounting on worktop or floor or ceiling column, several heights of which are available:  
( 300 mm - 500 mm - 1500 mm - 2000 mm )

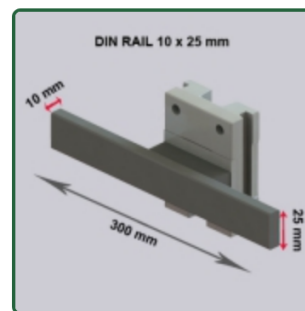
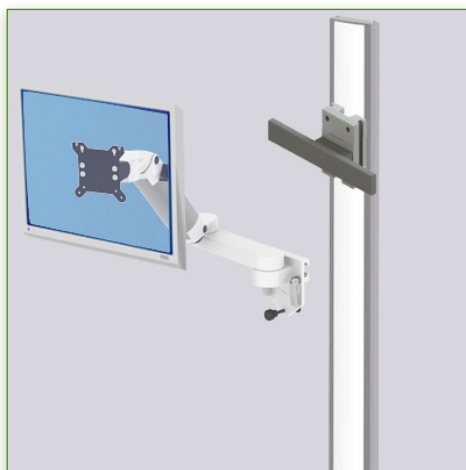
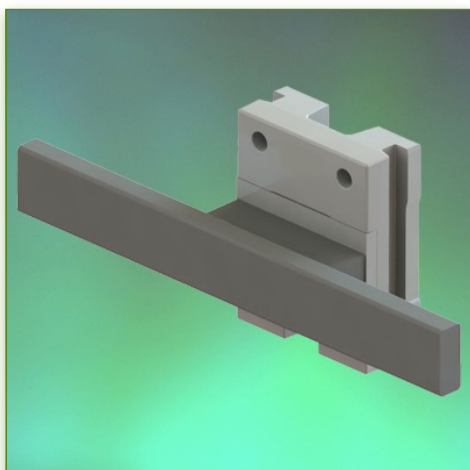
\* Length 300 mm

\* Din Rail 10 x 25 mm

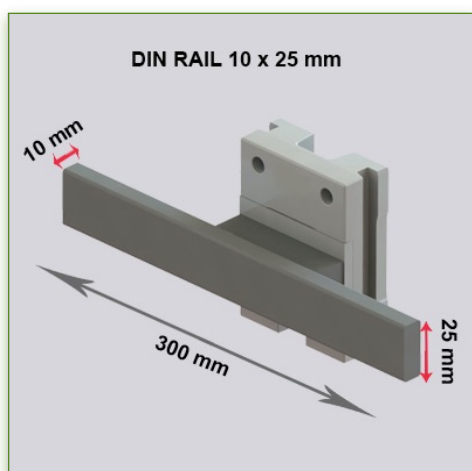
\* Colour RAL 7024 (Graphite grey)

\* All our medical arms are in conformity:  
CE, ROHS, Medical Grade, Regulations MDD 93/42 ECC.

\* Warranty: 5 years



Din Rail 10 x 25 mm.  
Length of 300 mm  
Mounting on Wall Rail  
Référence: 999.169



Do not hesitate to contact us if you have any questions about this product.



Warranty: 5 years



000.999.169



Graphite Grey



On Measure



= Depending on the elements



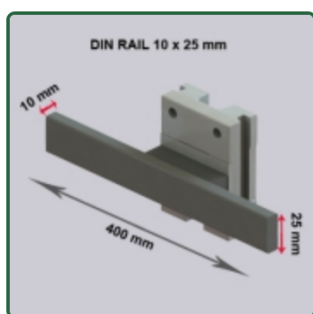
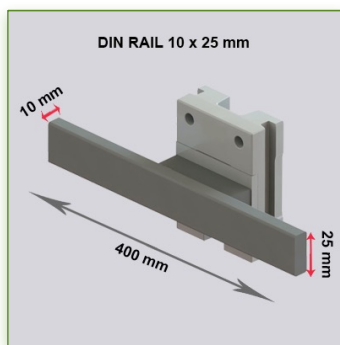
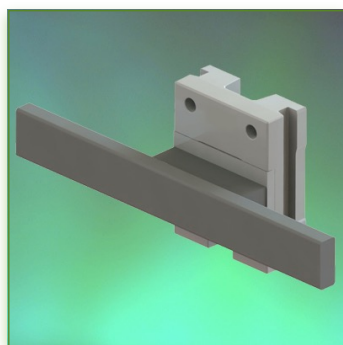
999.169

**Anti-bacterial properties:**

IT medical arms are now designed with Microban antibacterial protection, a revolutionary treatment that guarantees optimal hygiene. IT medical arms integrate Microban and other antibacterial agents into all medical products. It inhibits the growth of bacteria of all types. This is not a surface treatment.

It is 100% in the totality of the product. It does not alter the physico-mechanical properties of the medical arm lift system. Simulations over 30 years show that 100% of the antibacterial properties are maintained.

All medical articulated arms incorporate Microban. Microban is the world's leading provider of anti-bacterial solutions. It has been successfully applied for more than 35 years in a wide range of products used in the hospital, construction and food industries.



Din Rail 10 x 25 mm.  
Length of 400 mm  
Mounting on Wall Rail  
Référence: 999.170



Do not hesitate to contact us if you have any questions about this product.



Warranty: 5 years



000.999.170



Graphite Grey



On Measure



= Depending on the elements



999.170

### Din Rail adapter 10 x 25 mm. Length 400 mm Mounting on vertical sliding wall rail

This Din Rail Horizontal adapter allows the attachment of all medical accessories with the Din Rail 10 x 25 mm interface. Ideal complement when no Din Rails are available or absent to add other elements. It is coated with an anti-microbial agent offering hygiene and cleaning down to the last detail. Its modern design has been specially designed for healthcare environments.

#### Technical specifications:

\* Optional Vertical Wall Rail Mounting, several lengths available (480 mm - 720 mm - 960 mm - 1200 mm).

These wall rails can be easily cut to the required size. All cables also pass through the wall rail.

\* Optional mounting on worktop or floor or ceiling column, several heights of which are available:  
( 300 mm - 500 mm - 1500 mm - 2000 mm )

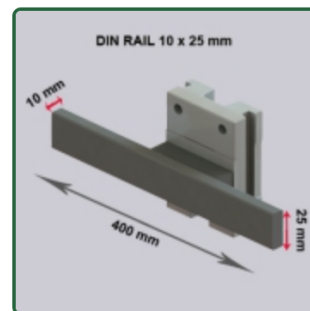
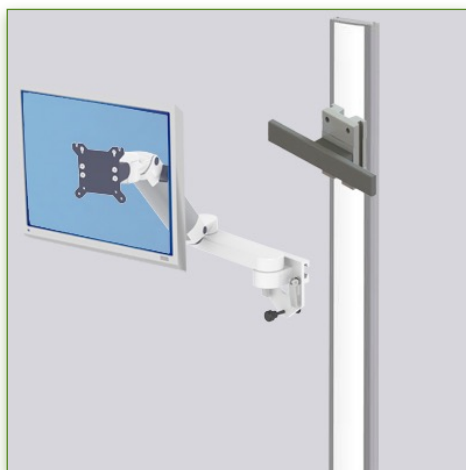
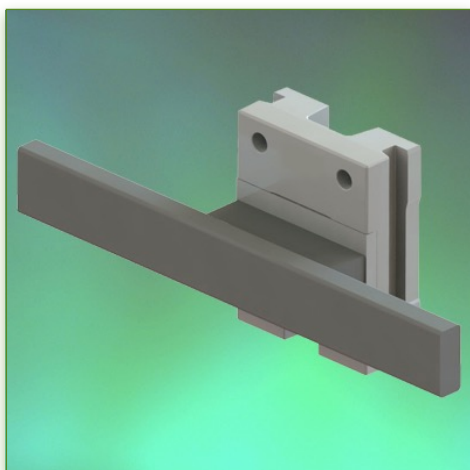
\* Length 400 mm

\* Din Rail 10 x 25 mm

\* Colour RAL 7024 (Graphite grey)

\* All our medical arms are in conformity:  
CE, ROHS, Medical Grade, Regulations MDD 93/42 ECC.

\* Warranty: 5 years



Din Rail 10 x 25 mm.  
Length of 400 mm  
Mounting on Wall Rail  
Référence: 999.170



Do not hesitate to contact us if you have any questions about this product.

Warranty: 5 years

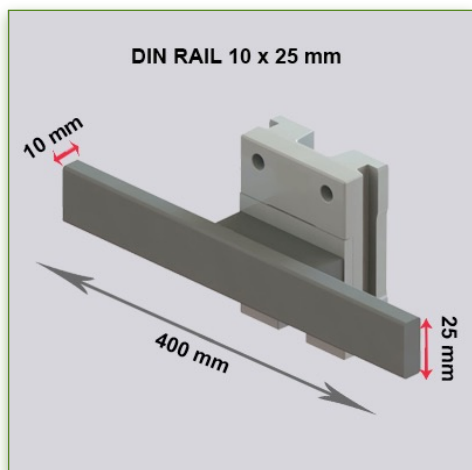
000.999.170

Graphite Grey

On Measure

= Depending on the elements

999.170

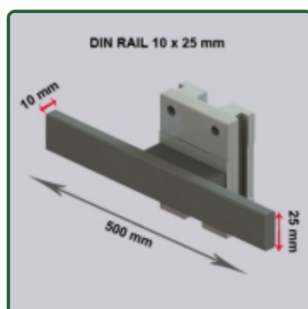
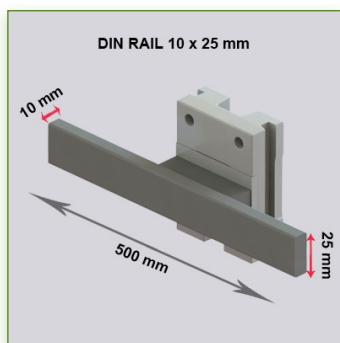
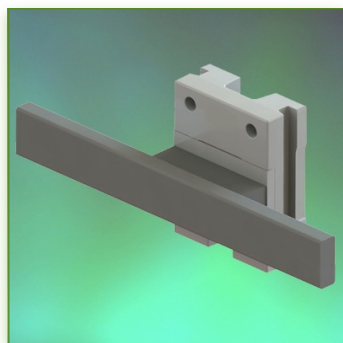


**Anti-bacterial properties:**

IT medical arms are now designed with Microban antibacterial protection, a revolutionary treatment that guarantees optimal hygiene. IT medical arms integrate Microban and other antibacterial agents into all medical products. It inhibits the growth of bacteria of all types. This is not a surface treatment.

It is 100% in the totality of the product. It does not alter the physico-mechanical properties of the medical arm lift system. Simulations over 30 years show that 100% of the antibacterial properties are maintained.

All medical articulated arms incorporate Microban. Microban is the world's leading provider of anti-bacterial solutions. It has been successfully applied for more than 35 years in a wide range of products used in the hospital, construction and food industries.



Din Rail 10 x 25 mm.  
Length of 500 mm  
Mounting on Wall Rail  
Référence: 999.171



Do not hesitate to contact us if you have any questions about this product.



Warranty: 5 years



000.999.171



Gris graphite



On Measure



= Depending on the elements



999.171

### Din Rail adapter 10 x 25 mm. Length 500 mm Mounting on vertical sliding wall rail

This Din Rail Horizontal adapter allows the attachment of all medical accessories with the Din Rail 10 x 25 mm interface. Ideal complement when no Din Rails are available or absent to add other elements. It is coated with an anti-microbial agent offering hygiene and cleaning down to the last detail. Its modern design has been specially designed for healthcare environments.

#### Technical specifications:

\* Optional Vertical Wall Rail Mounting, several lengths available (480 mm - 720 mm - 960 mm - 1200 mm).

These wall rails can be easily cut to the required size. All cables also pass through the wall rail.

\* Optional mounting on worktop or floor or ceiling column, several heights of which are available:  
( 300 mm - 500 mm - 1500 mm - 2000 mm )

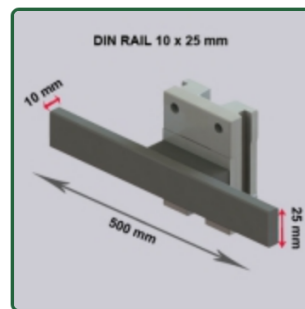
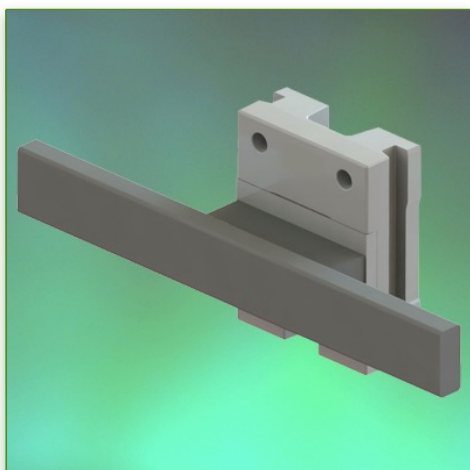
\* Length 500 mm

\* Din Rail 10 x 25 mm

\* Colour RAL 7024 (Graphite grey)

\* All our medical arms are in conformity:  
CE, ROHS, Medical Grade, Regulations MDD 93/42 ECC.

\* Warranty: 5 years



Din Rail 10 x 25 mm.  
Length of 500 mm  
Mounting on Wall Rail  
Référence: 999.171



Do not hesitate to contact us if you have any questions about this product.

Warranty: 5 years

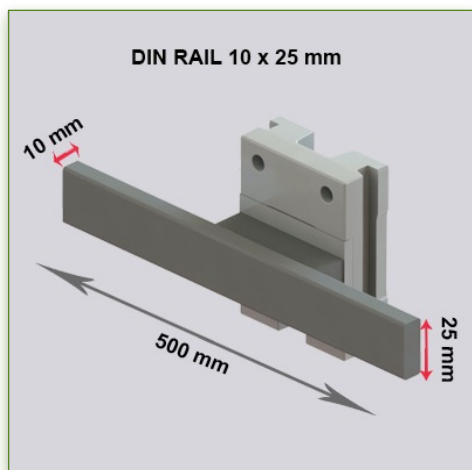
000.999.171

Gris graphite

On Measure

= Depending on the elements

999.171

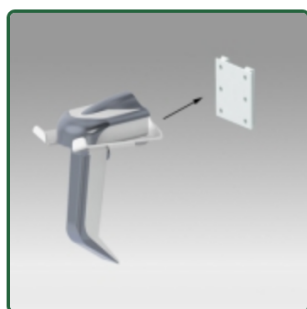
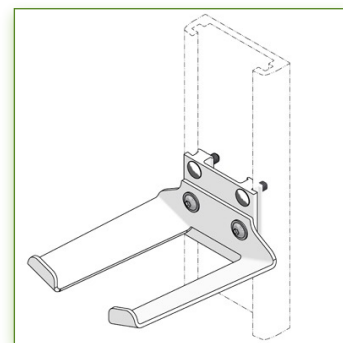
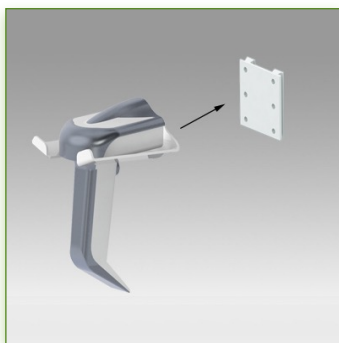


**Anti-bacterial properties:**

IT medical arms are now designed with Microban antibacterial protection, a revolutionary treatment that guarantees optimal hygiene. IT medical arms integrate Microban and other antibacterial agents into all medical products. It inhibits the growth of bacteria of all types. This is not a surface treatment.

It is 100% in the totality of the product. It does not alter the physico-mechanical properties of the medical arm lift system. Simulations over 30 years show that 100% of the antibacterial properties are maintained.

All medical articulated arms incorporate Microban. Microban is the world's leading provider of anti-bacterial solutions. It has been successfully applied for more than 35 years in a wide range of products used in the hospital, construction and food industries.



Holder for barcode hand shower  
 Mounting on Wall Rail  
 Part Number: 999.174



Do not hesitate to contact us if you have any questions about this product.



Warranty: 5 years



000.999.174



Graphite Grey and White



On Measure



= Depending on the elements



999.174

### Universal Hand Shower Barcode Holder Wall Mount

Universal barcode hand shower holder ideal for keeping the hand shower close to the medical facility. This 13.5 x 10.31 x 6 cm barcode reader holder can be attached along the vertical wall rail

This rugged barcode scanner stand is the perfect storage or scanning application.

Color: Graphite Grey and White

#### Technical specifications:

\* Optional Vertical Wall Rail Mounting, several lengths available (480 mm - 720 mm - 960 mm - 1200 mm).

These wall rails can be easily cut to the required size. All cables also pass through the wall rail.

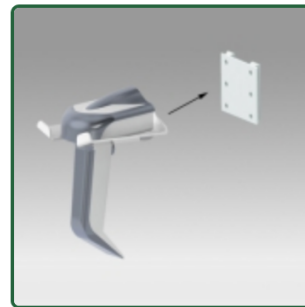
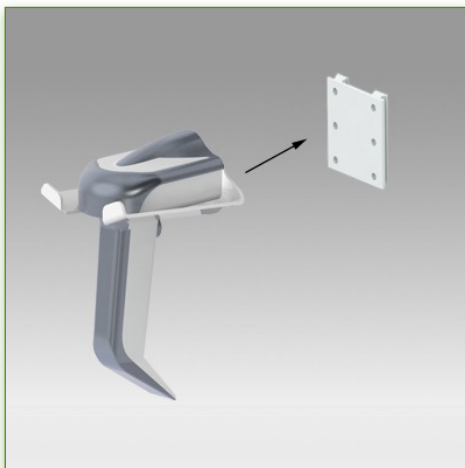
\* Optional mounting on worktop or floor or ceiling column, several heights of which are available: ( 300 mm - 500 mm - 1500 mm - 2000 mm )

\* Keeps the hand shower safe

\* All our medical arms are in conformity: CE, ROHS, Medical Grade, Regulations MDD 93/42 ECC.

\* Warranty: 5 years





Holder for barcode hand shower  
 Mounting on Wall Rail  
 Part Number: 999.174



Medical Grade



Do not hesitate to contact us if you have any questions about this product.



Warranty: 5 years



000.999.174



Graphite Grey and White



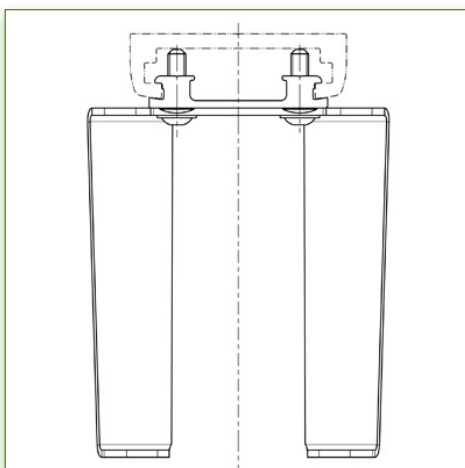
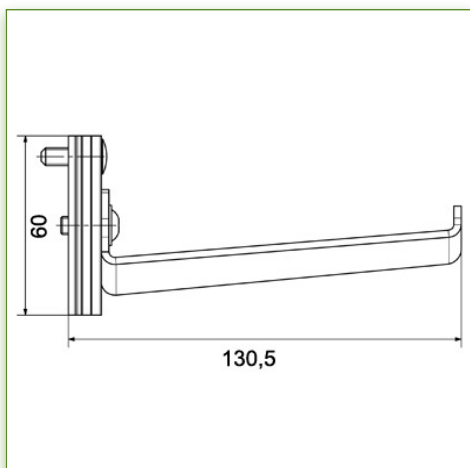
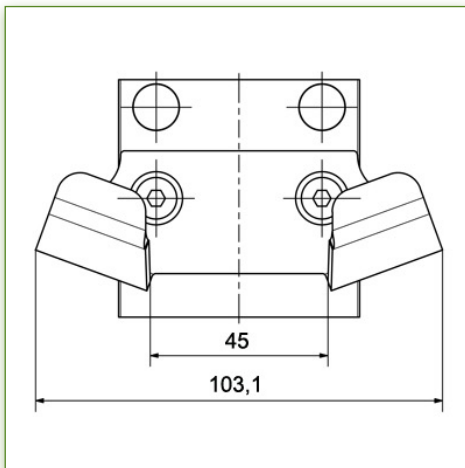
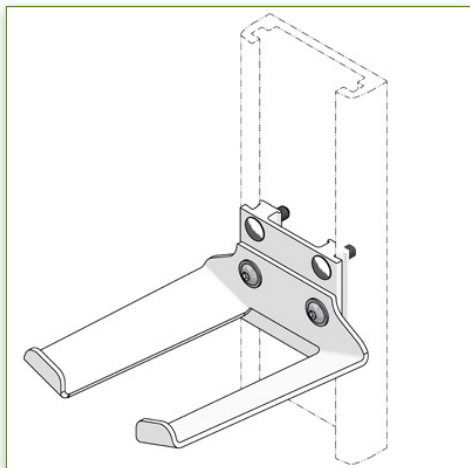
On Measure



= Depending on the elements



999.174



**Anti-bacterial properties:**

IT medical arms are now designed with Microban antibacterial protection, a revolutionary treatment that guarantees optimal hygiene. IT medical arms integrate Microban and other antibacterial agents into all medical products. It inhibits the growth of bacteria of all types. This is not a surface treatment.

It is 100% in the totality of the product. It does not alter the physico-mechanical properties of the medical arm lift system. Simulations over 30 years show that 100% of the antibacterial properties are maintained.

All medical articulated arms incorporate Microban. Microban is the world's leading provider of anti-bacterial solutions. It has been successfully applied for more than 35 years in a wide range of products used in the hospital, construction and food industries.

## **Médical Grade**

Innovative designs, a StS® shortened elevator technology with a factor 6 gas lift that makes computer medical elevation effortlessly unmatched in the industry.

This StS® technology offers smooth adjustment flexibility regardless of the size and strength of the user, allowing him to maximize his comfort of use both sitting and standing. The revolutionary design of the StS technology separates from conventional technologies that do not meet the safety factor standards generally used in this type of design.

A StS elevator technology that is not under pressure, which means that your long-term performance will remain higher.

Designed for prolonged sitting or permanent applications. The StS technology offers a true revolution in ergonomic design that can be used by a wide range of clinicians and caregivers of all sizes, allowing them to adjust the height of the medical arm.

Robust, anodized aluminum construction, complemented by a small footprint, makes computer medical arms accessible even in places where space is at a premium.

These computerized medical workstations contribute to the encoding of critical patient care information with comfort at the patient's bedside with unmatched travel comfort.

Computerized medical arms comply with hospital hygiene standards, effectively they contain less than 5% of plastic harmful to bacteria and can be disinfected in the smallest details.

An anti-bacterial coating (microban) ensures perfect hygiene of arms and all parts are therefore impermeable to bacteria, no asperities in their designs aimed at a complete cleaning, fast and easy, helping to control infections.

It takes only 10 minutes to completely disinfect the workstation.

Human-centered designs place mobile computing exactly where it needs to be, reducing the time spent on each task for more efficiency.

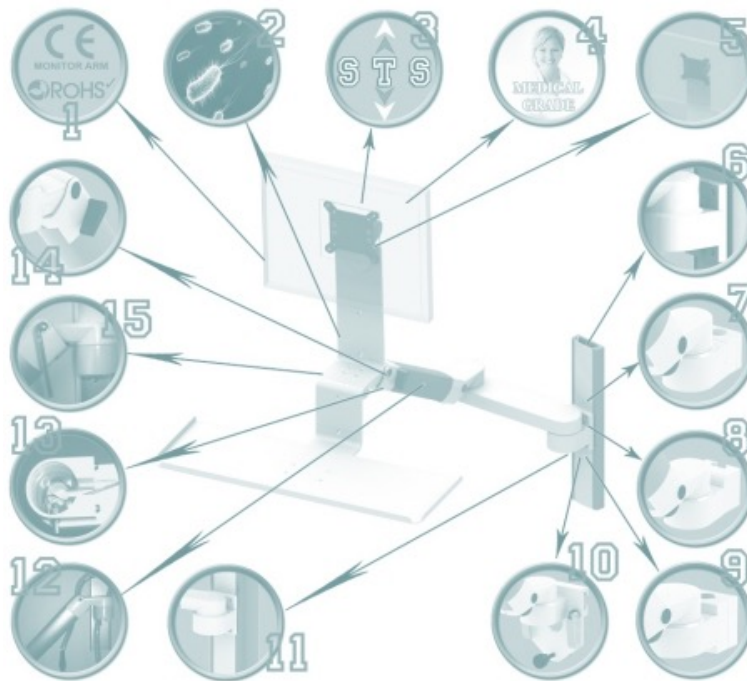
the fruit of a close collaboration with the nurses, the computer scientists, the doctors, offering them a comfort and an ergonomics unparalleled in the data entry.

These medical computer arm solutions offer healthy computing environments that promote work efficiency.

Developed for superior performance, quality, durability for a better return on investment. Designed and created to minimize the impact of energy consumption and thereby reduce the harmful effects of air emissions and pollution.

Backed by a 5 year warranty, our solutions will give you all satisfactions.

### An Exceptional Experience! "Often copied, never equaled"



#### Unmatched in technology, comfort and installation

- 1 / Compliant and CE and ROHS / DIN EN ISO 9001: 2008 certified
- 2 / Anti-bacterial coating
- 3 / Height adjustable technology
- 4 / Medical Standards
- 5 / VESA 75 and 100 mm
- 6 / Possibility of mounting on Din Wall Rail optional
- 7 / Possibility of mounting on fixed pole, 25 - 35 - 38 mm
- 8 / Possibility of mounting on Din Vertical Rail 10 x 25 mm
- 9 / Possibility of mounting on variable pole between 20 and 40 mm
- 10 / Possible installation on DIN Rail Horizontal, 10 x 25 - 8 x 35 - 10 x 30 - 10 x 50 mm
- 11 / Optional column mounting option
- 12 / Cable entry and internal connector on the arm (internal chute supplied)
- 13 / Equipotential bonding and connector
- 14 / Adjustment and safety lever
- 15 / Adjustment and easy control of the gas cylinder

## **Bacteria-proof**

Plastic, even food, is porous. This porosity, accentuated by scratches can cause bacteria nests in computerized medical arms during these constant manipulations. A biofilm can be put in place in a few hours, and allow the bacteria there to become resistant to external agents.

This is why our Computer Medical Arms, contrary to what we find on the market have a complete structure in anodized aluminum. Less than 5% of plastic in their designs dedicated specifically to the medical and hospital sector.

## **Aluminum, its characteristics, its properties, its utility:**

### **Main characteristics**

Density: 2700 kg / m<sup>3</sup>

Density: 2.7 (three times less than steel)

The use of aluminum is therefore essential in the areas of the construction of our computer arms.

### **Corrosion resistance:**

Aluminum alloys are highly oxidizable. In the air, a layer of a few micrometers of aluminum oxide (Al<sub>2</sub>O<sub>3</sub>) is formed. Thanks to this thin film, aluminum alloys become resistant to corrosion. Unlike most metals, aluminum needs to oxidize to be used. Without this film of oxide, it would be unsuitable for most of its applications.

Thus, under normal atmospheric conditions, exterior building claddings or aluminum alloy parts have minimal maintenance and extended service life.

### **Anodizing:**

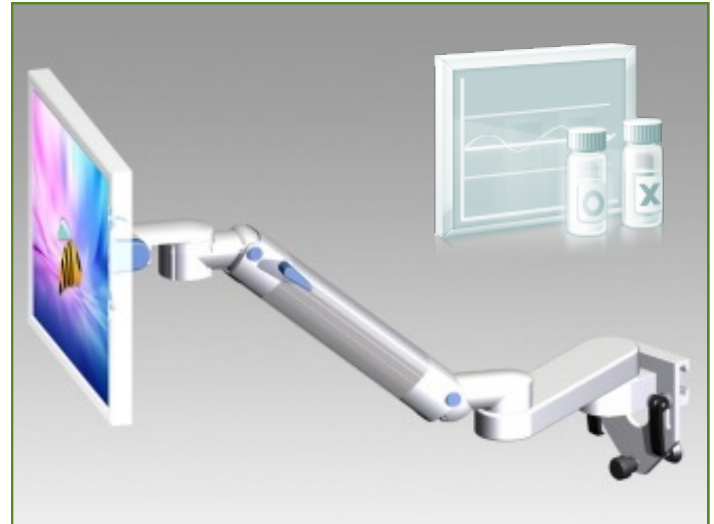
Forced oxidation with an electrolyte makes it possible to obtain coloring of the parts. This anodizing can also be colorless to keep the shine of the pieces (aluminum color). The protective oxide layer can be made thicker by anodization.

### **Recycling:**

To recycle aluminum, there is nothing simpler: just melt it. In addition to environmental benefits, aluminum recycling is much less expensive than extraction from bauxite ore. It requires 95% less energy. And a ton of recycled aluminum saves four tons of bauxite. By skipping the electrolysis stage, which requires a lot of energy, we avoid the pollutant emissions associated with it. Aluminum is almost infinitely recyclable without losing its qualities. In France, aluminum is recovered as part of selective sorting. In sorting centers, it is sorted thanks to eddy currents. It is then broken and crushed and melted. The downside, aluminum remains on the market an expensive material.

**Benefit:**

- \* Resistant to corrosion
- \* Unalterable color
- \* Rigid
- \* Allows 100% recycling
- \* Light
- \* Noise and vibration reduction
- \* Do not rust
- \* Longevity is three to four times greater than steel
- \* Absorbs considerable pressure and effort
- \* Insulation
- \* Effective barrier against bacteria
- \* Raincoat
- \* Resistant to high and low temperatures
- \* Sterilizable
- \* Strength, weight, versatility
- \* Do not burn
- \* Anti acid

**Antibacterial Micoban:**

The medical computer arms are now designed with Microban antibacterial protection, a revolutionary treatment that guarantees optimal hygiene. Medical computer arms integrate Microban and other anti-bacterial agents into all medical products. It inhibits the growth of bacteria of all types. It is not a superficial treatment. It is 100% in the entire product. It does not entail any alteration of the physico-mechanical properties of the lift system of the medical arms. 30-year simulations show that 100% of anti-bacterial properties are maintained. All medical articulated arms incorporate Microban. Microban is a world leader in anti-bacterial solutions. It has been successfully applied for more than 35 years in multiple products used in the hospital, construction and food sectors.

### Safety factor - Load with sixfold safety factor

The factor of safety is the use of more elements than necessary to compensate for the effects of unknown variables and to prevent system failures.

Design requires dealing with the unknown. Whatever the designer's level of knowledge and the quality of the specifications, hypotheses are inevitable in any design process.

The safety factors are used to offset the potential effects of these unknowns. The idea is to add materials and components to the system so that the design exceeds the specifications defined as necessary to meet the needs.

For example, designing an internet service that can support thousands of users is straightforward and straightforward. However, to take into account unanticipated needs for example downloading large files, the specifications of the need can be multiplied (here in threes).

In this case, the safety factor of three means that the service is qualified as being able to support 1000 users but is designated to actually support 3000.

The level of the safety factor corresponds directly to the level of ignorance of the design parameters. The higher the level of ignorance, the more the safety factor will be increased. More elements mean a higher cost.

The novelties require an important factor of safety. If a design becomes reliable over time, the confidence that the unknowns of the system disappear combined with the pressure to reduce costs causes a process of trimming and reducing the factor of safety.

Unfortunately, this process usually continues until an accident or malfunction occurs.

The safety factor must be used to minimize the risk of design failure. When the level of confidence in the design increases, we can then decrease the coefficient of safety but we must be careful not to go too far.

It is necessary to observe the nominal capacity of a system to make decisions that stress the limits of the system and not the expected capacity.

**That is why all our medical arms are certified with a safety factor of 6 for your safety and that of your patients.**

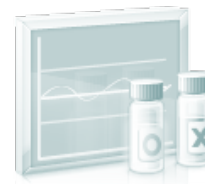
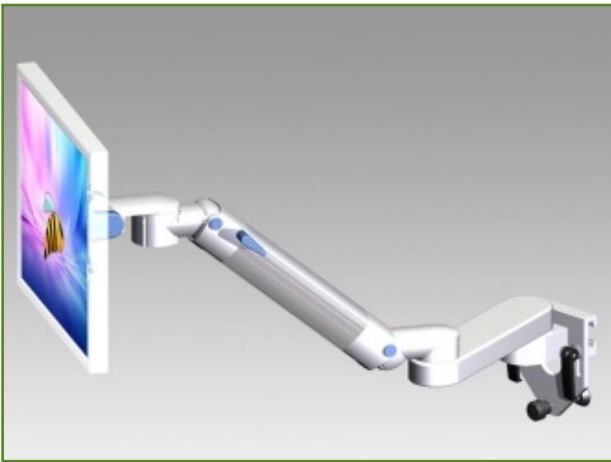


### Disinfection, cleaning and hygiene of medical arms

Innovative designs, a StS® shortened lift technology with a factor 6 gas jack that allows the arms Hospital-acquired infections are a real public health problem. There are nowadays in France, about 10,000 deaths per year of these infections contracted at the hospital. They represent a very heavy burden for society, from a human, economic and social point of view. As a result, medical computer trolleys have been designed to be disinfected in their totality and disinfection takes only a very short time for the hygienist (less than 10 minutes).

### WHY KEEP THE SAFE SURFACES?

- \* Pathogenic microorganisms that enter the premises can survive on surfaces for long periods of time. periods of time.
- \* Microorganisms that settle on surfaces can then be transmitted to the hands.
- \* The germs of the hands can spread by contact, and be transmitted to other people and cause an infection.
- \* Clean or disinfect surfaces to reduce the risk of cross-contamination.
- \* Clean water may become contaminated if its container is not clean.



### Recommended disinfectants:

1. Chlorine-based (10% max solution) - Chlorox, Novalsan, etc.
2. Formaldehyde base - 37% formaldehyde solution, Vinco Formaldegen, etc.
3. Glutaraldehyde-based stock - Aldacide 200, Lysofume, Wavicide, etc.
4. Phenol stock base - Lysol IC, many, Magna Clean, Tek-Trol, etc.
5. Alcohol Based - CaviCide, Isopropyl Alcohol, Medicide (POL-0.3), etc.
6. Oxidants - Hydrogen Peroxide Solution 3%, VikronS, Lifegard series, etc.
7. Ammonium quaternaries - Roccal-D, Bacto-Sep, Ascend, Parvosol, etc.
8. Soap and hot water

### DO NOT USE:

1. Oil-based liquid cleaners, such as gasoline, turpentine or petroleum
2. Acetone
3. More than 10% bleach solutions
4. Temperature or sterilization pressure

### Ergonomics of workstations on screen

#### Determination of posture

#### A good design of an on-screen workstation allows:

- \* increase the postural margin of the operator; any posture, however ideal, becoming uncomfortable after a certain time (pain in the shoulders, arms, hands, neck, back and legs),
- \* to reduce the stresses of the cervical vertebrae and the muscles supporting the head (cervicalgia, muscular fatigue),
- \* \* to reduce the disorders due to a sustained cognitive and visual activity (headache, tingling, tearing, visual discomfort, etc.),
- \* to increase blood circulation in the legs, ...

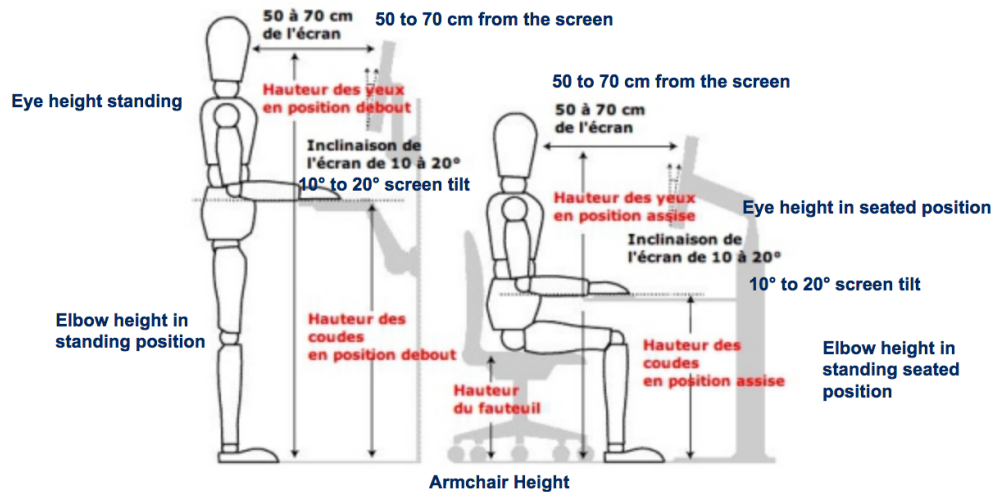
Follow these two steps to improve the comfort of your workstation:

#### 1. Select your size (in cm):

Size in cm	Eyes in a sitting position	Eyes in a standing position	Elbow in sitting position	Elbow in Standing Position	Armchair
152	105	141	57	93	36
155	107	144	58	94	37
157	110	146	59	95	38
160	111	148	60	97	38
163	113	151	61	99	39
165	115	153	62	101	40
168	117	156	63	102	41
170	118	158	64	104	41
173	120	161	65	106	42
175	122	163	66	108	43
178	124	166	67	109	44
180	125	168	68	111	44
183	127	171	68	112	46
185	129	173	69	113	46
188	131	175	72	116	48
191	133	178	72	117	48



**2. Install / adjust the workstation components as described below:**



**Positions**

The eyes should be aligned with the top of the display surface of the screen (specifically, the center of the screen should be at an angle of 15 degrees to the horizontal at eye level).

Exception: For wearers of progressive lenses, lower the monitor and tilt the screen up to avoid neck pain.

The height of the elbows should be adjusted with the top of the keyboard.

The height of the chair should help to keep the feet flat when the hips are at a 90 ° angle.

A seat slightly inclined downward (3 to 5 degrees) allows to better respect the natural curvature of the spine in double "S", which relieves the lumbar vertebrae.

**Remarks**

These values do not take into account the clothing elements. Remember to add the height of the shoes to make the right measurements.

Remember that no posture can be preserved for a long time, the postural margin being a fundamental element of comfort.

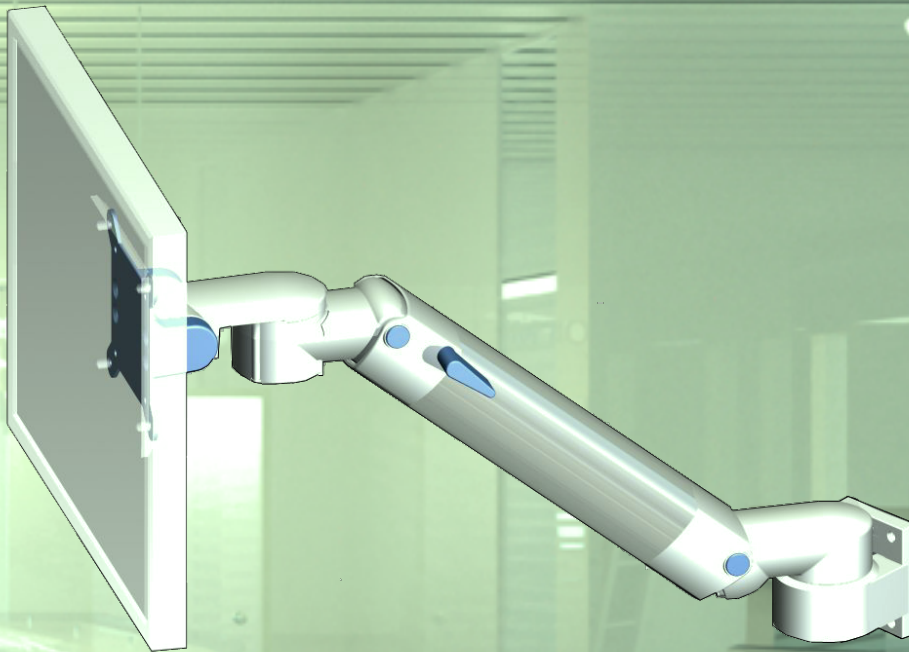
Beyond its standard recommendations, it is important to consider the location of the various elements at the station, the characteristics and distribution of the various tasks, the environmental context (thermal, acoustic and luminous environment), the collective context of the activity. (stress, mutual assistance, conflicting injunctions, etc.) and any particularities or restrictions of aptitude of the operator concerned.

Be careful not to make the mistake (made by both the operators and the companies specialized in tertiary installations) to position the screen face or back to the window but perpendicular to avoid direct glare (sometimes effective but not perceived) or the reflections of the screen.



## MEDICAL MONITOR ARMS

### MOUNTING ON PHILIPS ANAESTHESIA MACHINE



We have all the solutions and offer you the widest choice of

professional medical systems and supports compatible

with the widest possible range of medical and computer monitors.