

**MEDICAL STATIONS COMBO WT H CLASS
HEIGHT ADJUSTABLE WALL MOUNT**



**We have all the solutions and offer you the widest choice of professional
medical media systems compatible with the widest possible
range of medical and computer monitors.**



Medical Stations WT H Class Combo Adjustable in Height, Wall Mount

INDEX :

Medical Stations WT H Class Combo Adjustable in Height, Wall Mount

Vue d'ensemble et options.....	Page 4 - 5
Overview and options.....	Page 6 - 22
Advantages	Page 23 - 27





Medical Stations WT H Class Combo Adjustable in Height, Wall Mount

Orient and position your screen, keyboard and mouse effortlessly from the wall

This range of products has been designed to meet all the needs for fixing a flat screen with its keyboard and mouse that many users in the healthcare sector.

The Combo Medical Arms for Monitor, Keyboard and Mouse help create a larger, quieter, more ergonomic and individual medical workstation.

However, Combo medical arms are not all identical. We offer several types of medical Combo arms available in several series each of which is intended for a specific application: depth adjustment, height adjustment or simply both.

We assist you in choosing the Medical Combo Monitor / Keyboard / Mouse Arm that best suits your needs. Position your LCD screen at the height appropriate for your viewing comfort.

We have all the solutions and offer the widest choice of professional medical media systems compatible with the widest possible range of medical and computer displays.



Medical Stations WT H Class Combo Adjustable in Height, Wall Mount

OVERVIEW



Combo H Class Medical Arm
WT 32 Adjustable in height
104 cm wall mounting

Part Number: 111.000



Combo H Class Medical Arm
WT 48 Adjustable in height
104 cm wall mounting

Part Number: 111.001



Combo H Class Medical Arm
WT 32 Adjustable in height
150 cm wall mounting

Part Number: 111.002



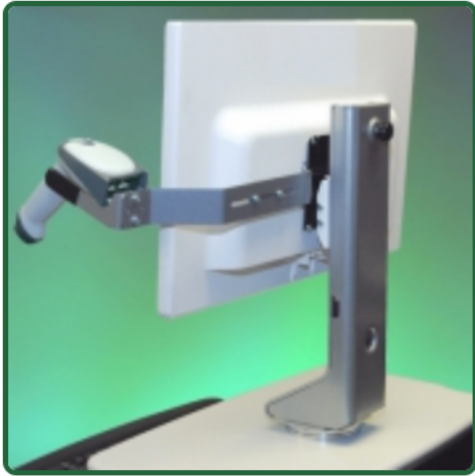
Combo H Class Medical Arm
WT 38 Adjustable in height
150 cm wall mounting

Part Number: 111.003



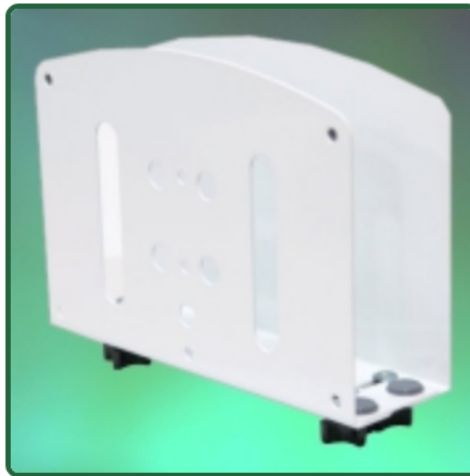
Medical Stations WT H Class Combo Adjustable in Height, Wall Mount

OVERVIEW OPTIONS



Barcode gun holder H Class
Adjustable VESA

Part Number: 221.880



UC Holder for Medical Arm
Combo H Class WT Wall
Mount

Part Number: 112.001



UC Protective Case for
Medical Arm Combo H Class
WT Wall Mount

Part Number: 112.002



Barcode Gun Holder for
Medical Arm Combo H Class
WT Wall Mount

Part Number: 112.003



Display Compatibility: 26" Wide (Weight)
Supported Weight: 2- 5 Kg
VESA standard: 75 / 100 mm
Keyboard-Mouse holder: 300 x 210 mm

 Up to 26" Wide (Weight)
 75/100 mm
 1,8 - 9 Kg
 60,32 x 18,41 cm

Medical Arm Combo H Class WT 32, height adjustable, 104 cm, wall mount

- * Beauty - Strength - Exceptional Range
- * Rock solid and out of the wall

This wall-mounted workstation provides optimum technological access, thanks to effortless positioning of the monitor and keyboard to meet the ergonomic requirements of a seated or standing person. H Class WT restores the standard for suspended workstations. The H Class WT workstation is the best of both worlds with generous storage and working space as well as keyboard and mouse space.

Flap keyboard platform. The flap keyboard platform includes the mouse and keyboard.

LCD swivel arm 180 ° adjustable in height of the notch on a range of 5 cm
It is equipped with a large worktop on its upper part.

Our H Class WT workstations facilitate highly efficient interactions. Whatever the work requirements, our H Class WT workstations are designed to exceed requirements and are designed to last.

Technical specifications:

Standard Features

- * 81 cm wall rail
- * 23 cm keyboard and mouse holder with flap (60.96 x 22.22 cm)
- * Integrated cable management system
- * Ergonomic and cleanable wrist support
- * Top shelf with anti-spill lip (62.23 x 24.13 cm)
- * Swivel limiter

Arm Specifications

- * LCD rotates 180° independently
- * Mounting standard: VESA 75mm / 100mm
- * Weight capacity: 1,81 - 9 Kg
- * 33 cm LCD screen height adjustment
- * Outstanding arm reach: 22.86 - 104.14 cm
- * Recorded depth: 25.40 cm
- * Height adjustment range: 35.56 cm
- * LCD screen tilt range: + 60 ° / -40 °
- * Color White
- * All our medical arms are in conformity: CE, ROHS, Medical Grade, Regulations MDD 93/42 ECC.
- * Warranty: 5 years

Do not hesitate to contact us if you have any questions about this product.

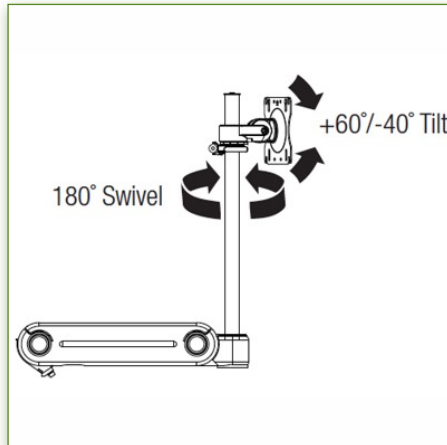
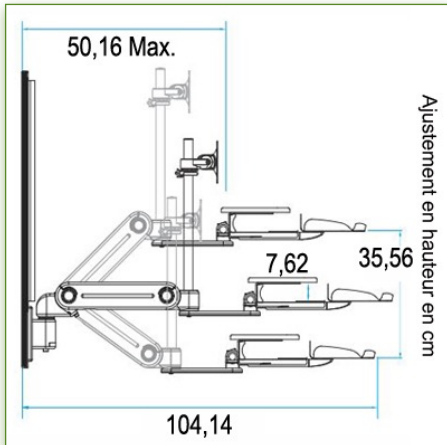
Warranty: 5 years

000.111.000

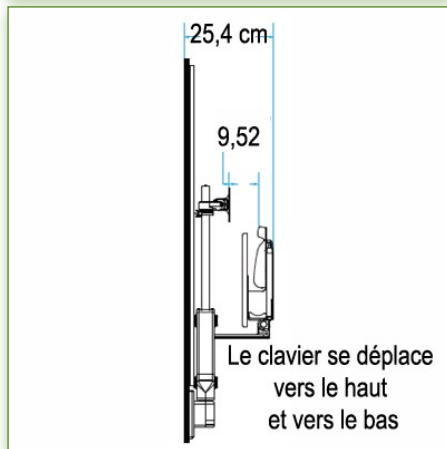
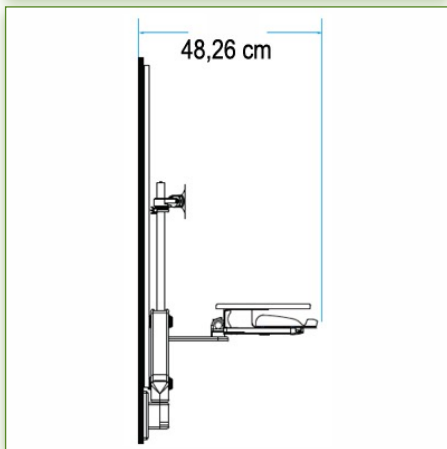
White
On Measure

-

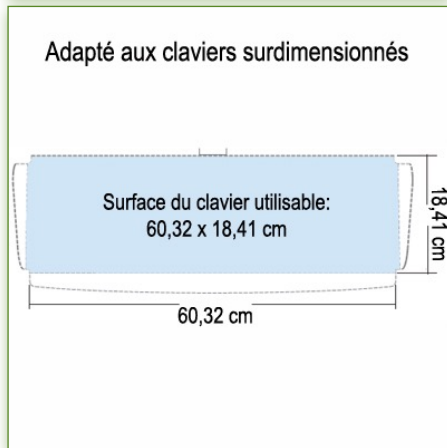
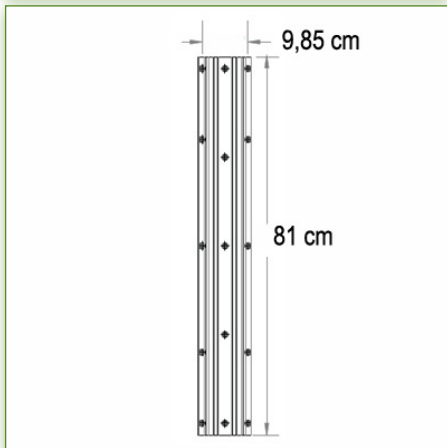
111.000



Display Compatibility: 26" Wide (Weight)
Supported Weight: 2- 5 Kg
VESA standard: 75 / 100 mm
Keyboard-Mouse holder: 300 x 210 mm




Do not hesitate to contact us if you have any questions about this product.



Warranty: 5 years

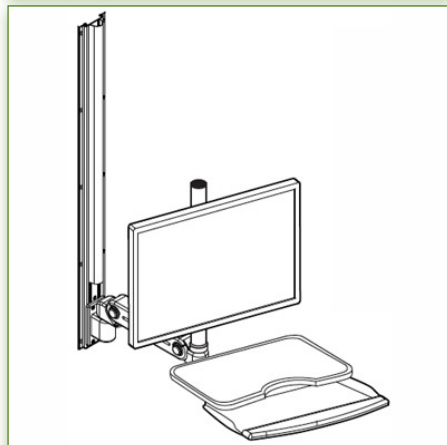
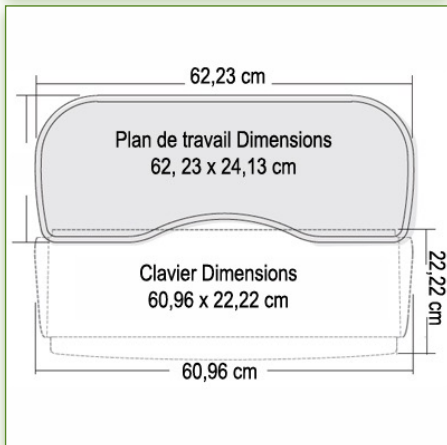
000.111.000

White

On Measure

-

111.000



Anti-bacterial properties:

IT medical arms are now designed with Microban antibacterial protection, a revolutionary treatment that guarantees optimal hygiene. IT medical arms integrate Microban and other antibacterial agents into all medical products. It inhibits the growth of bacteria of all types. This is not a surface treatment. It is 100% in the totality of the product. It does not alter the physico-mechanical properties of the medical arm lift system. Simulations over 30 years show that 100% of the antibacterial properties are maintained. All medical articulated arms incorporate Microban. Microban is the world's leading provider of anti-bacterial solutions. It has been successfully applied for more than 35 years in a wide range of products used in the hospital, construction and food industries.



Display Compatibility: 26" Wide (Weight)
Supported Weight: 2- 5 Kg
VESA standard: 75 / 100 mm
Keyboard-Mouse holder: 300 x 210 mm

 Up to 26" Wide (Weight)

 75/100 mm

 1,8 - 9 Kg

 60,32 x 18,41 cm

Medical Arm Combo H Class WT 48, height adjustable, 104 cm, wall mount

- * Beauty - Strength - Exceptional Range
- * Rock solid and out of the wall

This wall-mounted workstation provides optimum technological access, thanks to effortless positioning of the monitor and keyboard to meet the ergonomic requirements of a seated or standing person. H Class WT restores the standard for suspended workstations. The H Class WT workstation is the best of both worlds with generous storage and working space as well as keyboard and mouse space.

Flap keyboard platform. The flap keyboard platform includes the mouse and keyboard.

LCD swivel arm 180 ° adjustable in height of the notch on a range of 5 cm. It is equipped with a large worktop on its upper part. Our H Class WT workstations facilitate highly efficient interactions. Whatever the work requirements, our H Class WT workstations are designed to exceed requirements and are designed to last.

Technical specifications:

Standard Features

- * 122 cm wall rail
- * 23 cm keyboard and mouse holder with flap (60.96 x 22.22 cm)
- * Integrated cable management system
- * Ergonomic and cleanable wrist support
- * Top shelf with anti-spill lip (62.23 x 24.13 cm)
- * Swivel limiter

Arm Specifications

- * LCD rotates 180° independently
- * Mounting standard: VESA 75mm / 100mm
- * Weight capacity: 1,81 - 9 Kg
- * 33 cm LCD screen height adjustment
- * Outstanding arm reach: 22.86 - 104.14 cm
- * Recorded depth: 25.40 cm
- * Height adjustment range: 35.56 cm
- * LCD screen tilt range: + 60 ° / -40 °
- * Color White
- * All our medical arms are in conformity: CE, ROHS, Medical Grade, Regulations MDD 93/42 ECC.
- * Warranty: 5 years

Do not hesitate to contact us if you have any questions about this product.

Warranty: 5 years

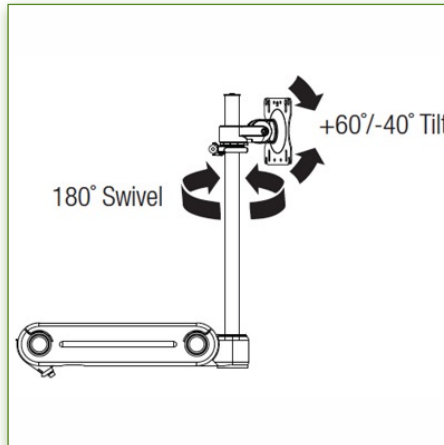
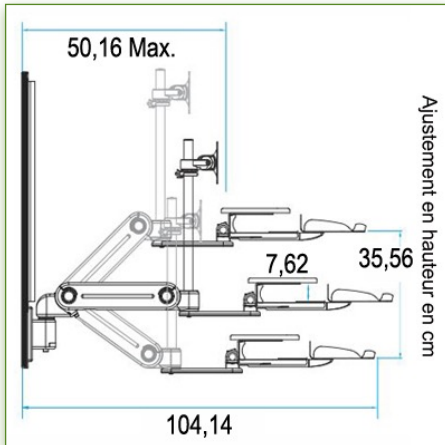
000.111.001

White

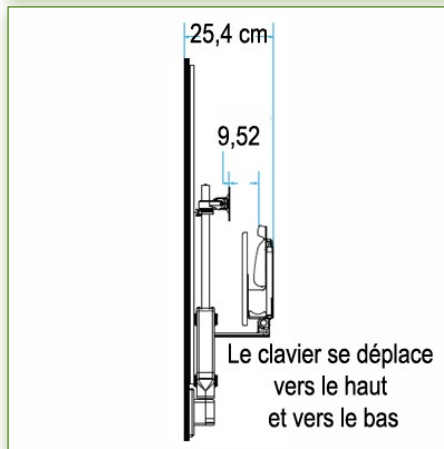
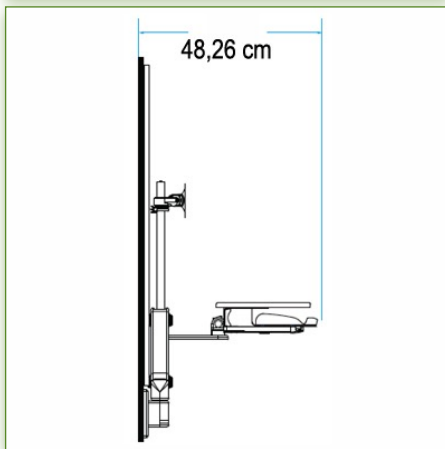
On Measure

-

111.001



Display Compatibility: 26" Wide (Weight)
Supported Weight: 2- 5 Kg
VESA standard: 75 / 100 mm
Keyboard-Mouse holder: 300 x 210 mm




Do not hesitate to contact us if you have any questions about this product.

Warranty: 5 years

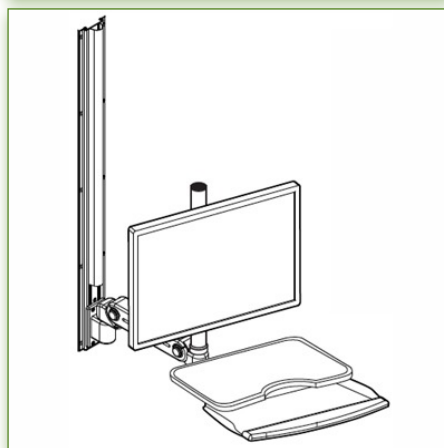
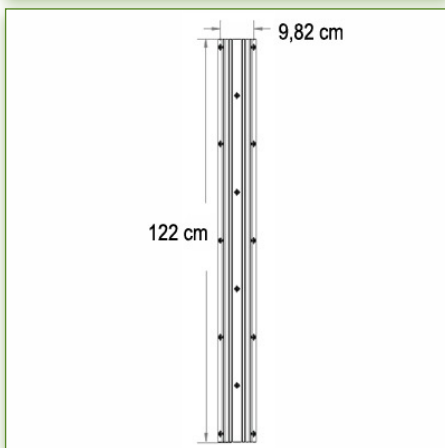
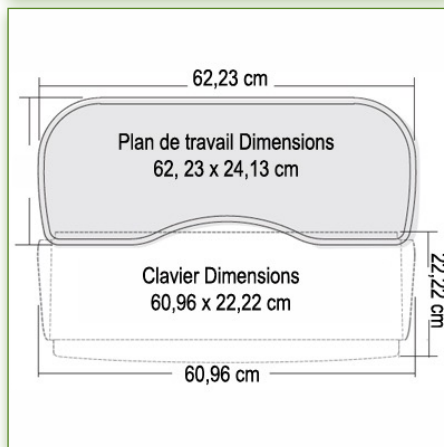
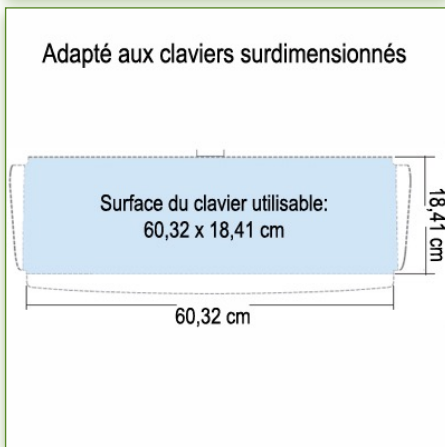
000.111.001

White

On Measure

-

111.001



Anti-bacterial properties:

IT medical arms are now designed with Microban antibacterial protection, a revolutionary treatment that guarantees optimal hygiene. IT medical arms integrate Microban and other antibacterial agents into all medical products. It inhibits the growth of bacteria of all types. This is not a surface treatment. It is 100% in the totality of the product. It does not alter the physico-mechanical properties of the medical arm lift system. Simulations over 30 years show that 100% of the antibacterial properties are maintained. All medical articulated arms incorporate Microban. Microban is the world's leading provider of anti-bacterial solutions. It has been successfully applied for more than 35 years in a wide range of products used in the hospital, construction and food industries.



Display Compatibility: 26" Wide (Weight)
 Supported Weight: 2- 5 Kg
 VESA standard: 75 / 100 mm
 Keyboard-Mouse holder: 300 x 210 mm

Medical Arm Combo H Class WT 32, height adjustable, 150 cm, wall mount

- * Beauty - Strength - Exceptional Range
- * Rock solid and out of the wall

This wall-mounted workstation provides optimum technological access, thanks to effortless positioning of the monitor and keyboard to meet the ergonomic requirements of a seated or standing person. H Class WT restores the standard for suspended workstations. The H Class WT workstation is the best of both worlds with generous storage and working space as well as keyboard and mouse space. Flap keyboard platform. The flap keyboard platform includes the mouse and keyboard. LCD swivel arm 180 ° adjustable in height of the notch on a range of 5 cm. It is equipped with a large worktop on its upper part.

Our H Class WT workstations facilitate highly efficient interactions. Whatever the work requirements, our H Class WT workstations are designed to exceed requirements and are designed to last.

Technical specifications:

Standard Features

- * 81 cm wall rail
- * 23 cm keyboard and mouse holder with flap (60.96 x 22.22 cm)
- * Integrated cable management system
- * Ergonomic and cleanable wrist support
- * Top shelf with anti-spill lip (62.23 x 24.13 cm)
- * Swivel limiter

Arm Specifications

- * LCD rotates 180° independently
- * Mounting standard: VESA 75mm / 100mm
- * Weight capacity: 1,81 - 9 Kg
- * 33 cm LCD screen height adjustment
- * Exceptional arm reach: 48.26- 149.86 cm
- * Recorded depth: 25.40 cm
- * Height adjustment range: 35.56 cm
- * LCD screen tilt range: + 60 ° / -40 °
- * 45.72 cm extension arm
- * Color White
- * All our medical arms are in conformity: CE, ROHS, Medical Grade, Regulations MDD 93/42 ECC.
- * Warranty: 5 years

Up to 26" Wide (Weight)
 75/100 mm
 1,8 - 9 Kg
 60,32 x 18,41 cm

Class
 Combo H CLASS
 MEDICAL GRADE

Do not hesitate to contact us if you have any questions about this product.

Warranty: 5 years

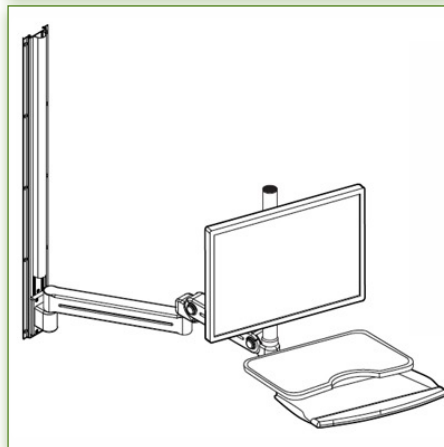
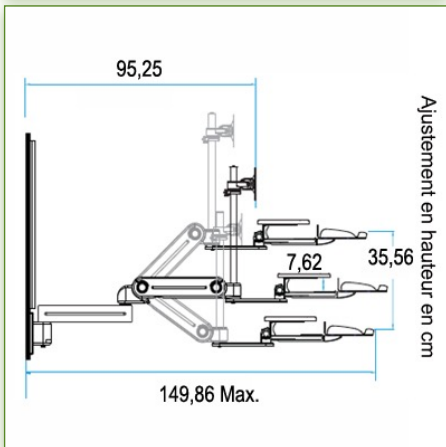
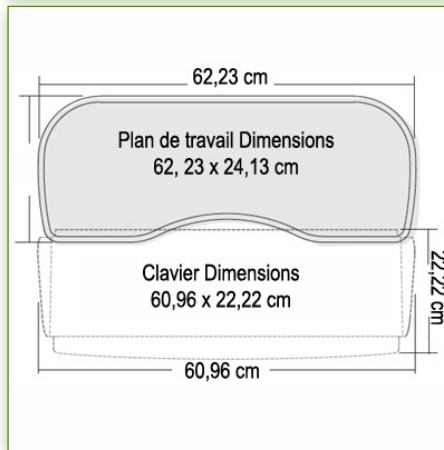
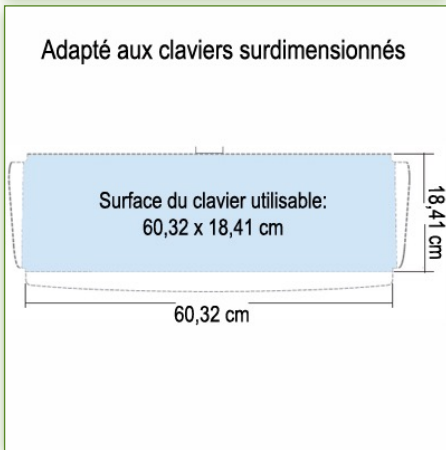
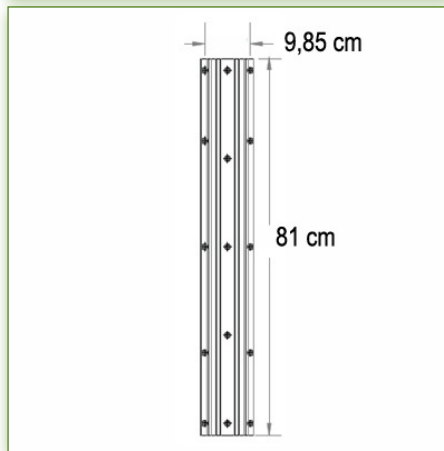
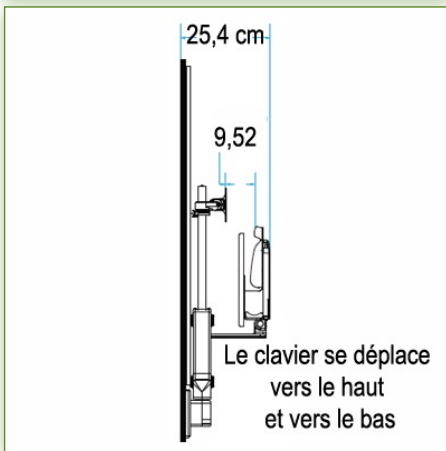
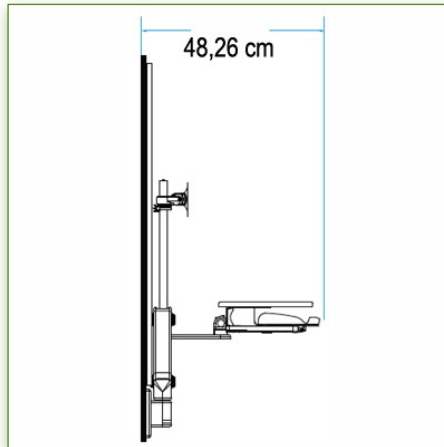
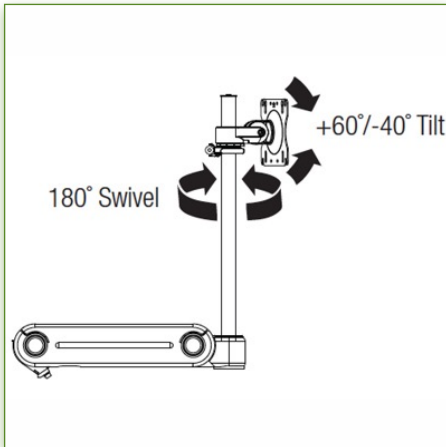
000.111.002

White

On Measure

-

111.002



Display Compatibility: 26" Wide (Weight)
Supported Weight: 2- 5 Kg
VESA standard: 75 / 100 mm
Keyboard-Mouse holder: 300 x 210 mm

Up to 26" Wide (Weight)

VESA 75/100 mm

1,8 - 9 Kg

60,32 x 18,41 cm

Class

Combo H CLASS

MEDICAL GRADE



Do not hesitate to contact us if you have any questions about this product.

Warranty: 5 years

000.111.002

White

On Measure

-

111.002

Anti-bacterial properties:

IT medical arms are now designed with Microban antibacterial protection, a revolutionary treatment that guarantees optimal hygiene. IT medical arms integrate Microban and other antibacterial agents into all medical products. It inhibits the growth of bacteria of all types. This is not a surface treatment. It is 100% in the totality of the product.

It does not alter the physico-mechanical properties of the medical arm lift system. Simulations over 30 years show that 100% of the antibacterial properties are maintained.

All medical articulated arms incorporate Microban. Microban is the world's leading provider of anti-bacterial solutions. It has been successfully applied for more than 35 years in a wide range of products used in the hospital, construction and food industries.



Display Compatibility: 26" Wide (Weight)
Supported Weight: 2- 5 Kg
VESA standard: 75 / 100 mm
Keyboard-Mouse holder: 300 x 210 mm

Medical Arm Combo H Class WT 48, height adjustable, 150 cm, wall mount

- * Beauty - Strength - Exceptional Range
- * Rock solid and out of the wall

This wall-mounted workstation provides optimum technological access, thanks to effortless positioning of the monitor and keyboard to meet the ergonomic requirements of a seated or standing person. H Class WT restores the standard for suspended workstations. The H Class WT workstation is the best of both worlds with generous storage and working space as well as keyboard and mouse space.

Flap keyboard platform. The flap keyboard platform includes the mouse and keyboard. LCD swivel arm 180 ° adjustable in height of the notch on a range of 5 cm. It is equipped with a large worktop on its upper part.

Our H Class WT workstations facilitate highly efficient interactions. Whatever the work requirements, our H Class WT workstations are designed to exceed requirements and are designed to last.

Technical specifications:

Standard Features

- * 122 cm wall rail
- * 23 cm keyboard and mouse holder with flap (60.96 x 22.22 cm)
- * Integrated cable management system
- * Ergonomic and cleanable wrist support
- * Top shelf with anti-spill lip (62.23 x 24.13 cm)
- * Swivel limiter

Arm Specifications

- * LCD rotates 180° independently
- * Mounting standard: VESA 75mm / 100mm
- * Weight capacity: 1,81 - 9 Kg
- * 33 cm LCD screen height adjustment
- * Exceptional arm reach: 48.26- 149.86 cm
- * Recorded depth: 25.40 cm
- * Height adjustment range: 35.56 cm
- * LCD screen tilt range: + 60 ° / -40 °
- * 45.72 cm extension arm
- * Color White
- * All our medical arms are in conformity: CE, ROHS, Medical Grade, Regulations MDD 93/42 ECC.
- * Warranty: 5 years

Do not hesitate to contact us if you have any questions about this product.

Warranty: 5 years

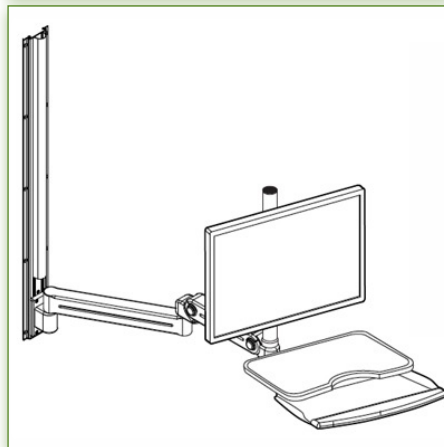
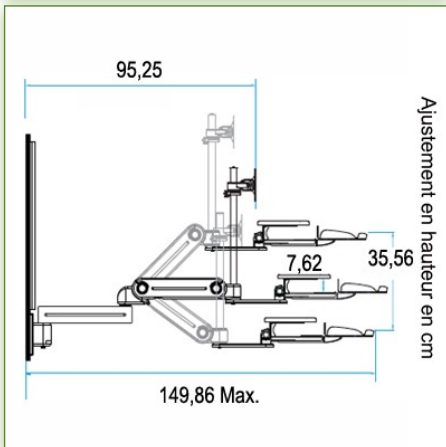
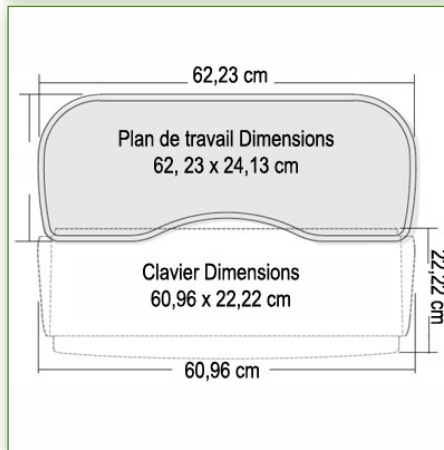
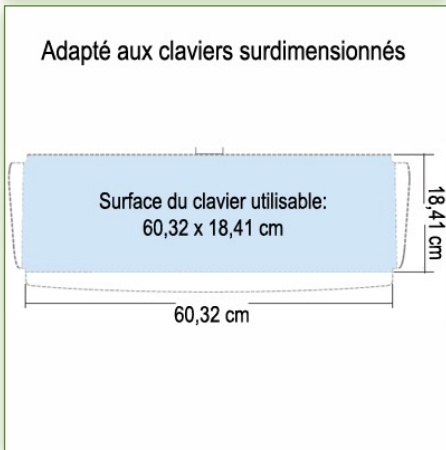
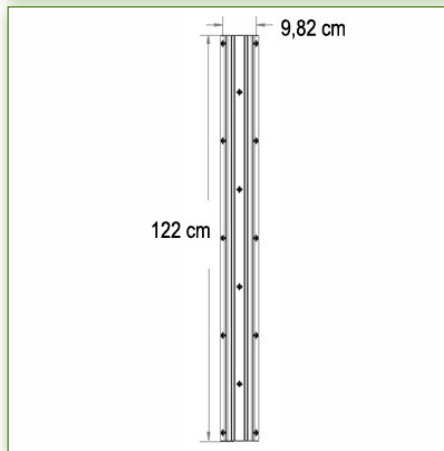
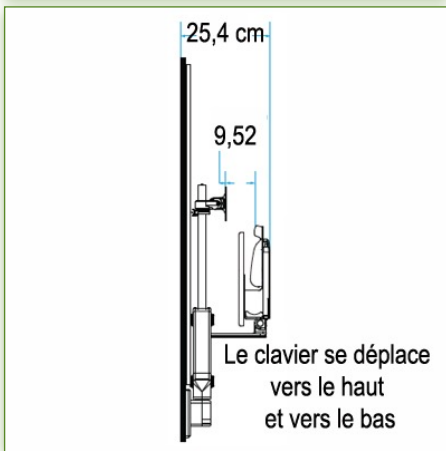
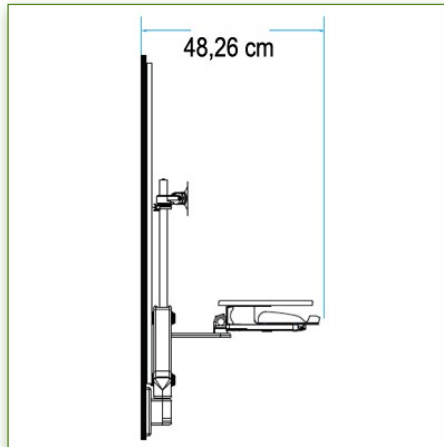
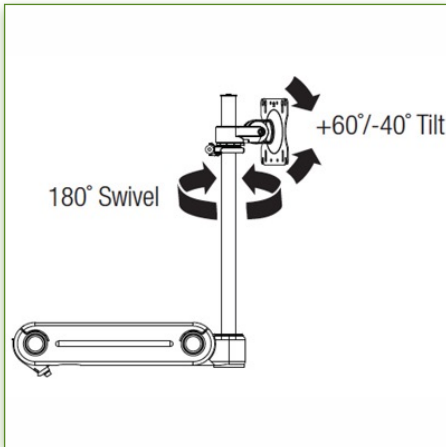
000.111.003

White

On Measure

-

111.003



Display Compatibility: 26" Wide (Weight)
Supported Weight: 2- 5 Kg
VESA standard: 75 / 100 mm
Keyboard-Mouse holder: 300 x 210 mm

Up to 26" Wide (Weight)

75/100 mm

1,8 - 9 Kg

60,32 x 18,41 cm

Class
Combo
H CLASS
MEDICAL
GRADE



Do not hesitate to contact us if you have any questions about this product.

Warranty: 5 years

000.111.003

White

On Measure

-

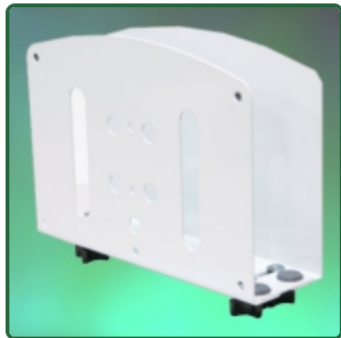
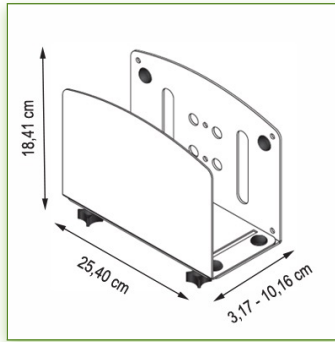
111.003

Anti-bacterial properties:

IT medical arms are now designed with Microban antibacterial protection, a revolutionary treatment that guarantees optimal hygiene. IT medical arms integrate Microban and other antibacterial agents into all medical products. It inhibits the growth of bacteria of all types. This is not a surface treatment.

It is 100% in the totality of the product. It does not alter the physico-mechanical properties of the medical arm lift system. Simulations over 30 years show that 100% of the antibacterial properties are maintained.

All medical articulated arms incorporate Microban. Microban is the world's leading provider of anti-bacterial solutions. It has been successfully applied for more than 35 years in a wide range of products used in the hospital, construction and food industries.



UC Holder for Medical Arm
Combo H Class WT Wall
Mount
Part Number: 112.001

UC Holder for Medical Arm Combo H Class WT Wall Mount

UC Holder for Medical Arm Combo H Class WT Wall Mount

* This central unit holder is mounted on the wall rail of the H Class WT series of medical arms.

Technical specifications:

- * Depth adjustment from 3.17 to 10.16 cm
- * Height 18.41 cm
- * Width 25.40 cm
- * Has 2 depth adjustment knobs to securely and properly attach the computer.
- * Color White



Do not hesitate to contact us if you have any questions about this product.



Warranty: 5 years



000.112.001



White



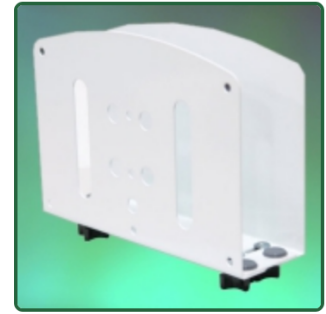
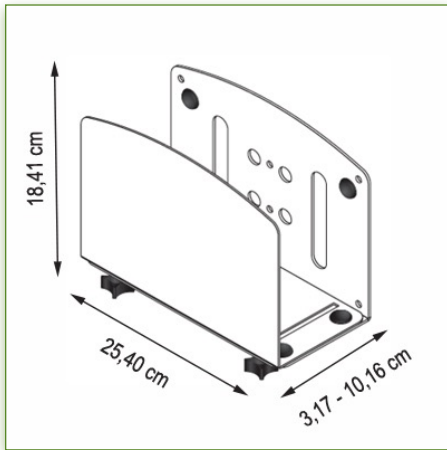
On Measure



-



112.001



UC Holder for Medical Arm
 Combo H Class WT Wall
 Mount
 Part Number: 112.001



Medical Grade



Do not hesitate to contact us if you have any questions about this product.



Warranty: 5 years



000.112.001



White



On Measure



-



112.001

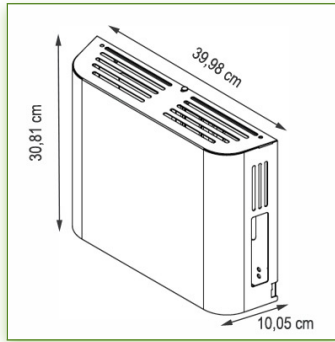
Anti-bacterial properties:

IT medical arms are now designed with Microban antibacterial protection, a revolutionary treatment that guarantees optimal hygiene. IT medical arms integrate Microban and other antibacterial agents into all medical products. It inhibits the growth of bacteria of all types. This is not a surface treatment.

It is 100% in the totality of the product.

It does not alter the physico-mechanical properties of the medical arm lift system. Simulations over 30 years show that 100% of the antibacterial properties are maintained.

All medical articulated arms incorporate Microban. Microban is the world's leading provider of anti-bacterial solutions. It has been successfully applied for more than 35 years in a wide range of products used in the hospital, construction and food industries.



UC Protective Case for
Medical Arm Combo H Class
WT Wall Mount
Part Number: 112.002

UC Protective Case for Medical Arm Combo H Class WT Wall Mount

* This CPU protection box comes to be fixed on the reference CPU support 112.001 in order to protect the computer it is only suitable for the medical arm series H Class WT

Technical specifications:

Height 30.81 cm

Width 39.98 cm

Depth 10,05 cm

Color White



Do not hesitate to contact us if you have any questions about this product.



Warranty: 5 years



000.112.002



White



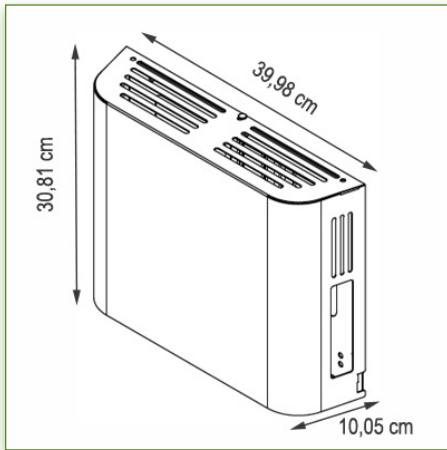
On Measure



-



112.002



UC Protective Case for
Medical Arm Combo H Class
WT Wall Mount
Part Number: 112.002



Medical Grade



Do not hesitate to contact us if you have any questions about this product.



Warranty: 5 years



000.112.002



White



On Measure



-



112.002

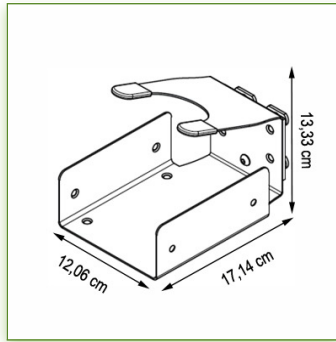
Anti-bacterial properties:

IT medical arms are now designed with Microban antibacterial protection, a revolutionary treatment that guarantees optimal hygiene. IT medical arms integrate Microban and other antibacterial agents into all medical products. It inhibits the growth of bacteria of all types. This is not a surface treatment.

It is 100% in the totality of the product.

It does not alter the physico-mechanical properties of the medical arm lift system. Simulations over 30 years show that 100% of the antibacterial properties are maintained.

All medical articulated arms incorporate Microban. Microban is the world's leading provider of anti-bacterial solutions. It has been successfully applied for more than 35 years in a wide range of products used in the hospital, construction and food industries.



Barcode Gun Holder for
Medical Arm Combo H Class
WT Wall Mount
Part Number: 112.003

Barcode Gun Holder for Medical Arm Combo H Class WT Wall Mount

* This support for bar code gun comes to be fixed on the vertical wall rail, it also makes it possible to accomodate its magazine.

Technical specifications:

Height 13.33 cm

Width 12.06 cm

Depth 17.14 cm

Colour Platinum



Do not hesitate to contact us if you have any questions about this product.



Warranty: 5 years



000.112.003



Platinum



On Measure



-



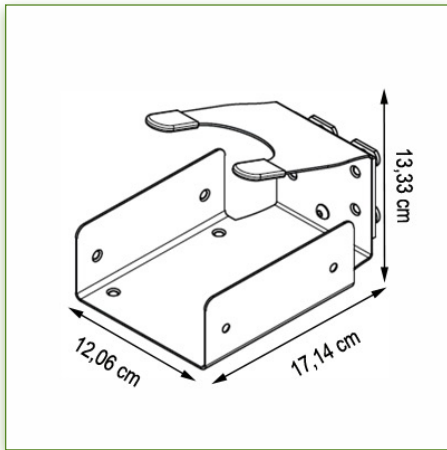
112.003



Barcode Gun Holder for
 Medical Arm Combo H Class
 WT Wall Mount
 Part Number: 112.003



Medical Grade



Do not hesitate to contact us if you have any questions about this product.



Warranty: 5 years



000.112.003



Platinum



On Measure



-



112.003

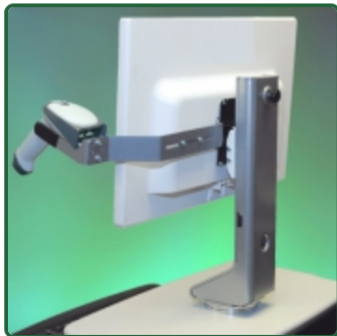
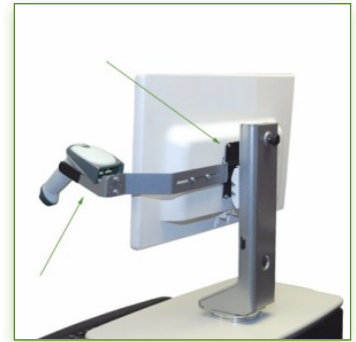
Anti-bacterial properties:

IT medical arms are now designed with Microban antibacterial protection, a revolutionary treatment that guarantees optimal hygiene. IT medical arms integrate Microban and other antibacterial agents into all medical products. It inhibits the growth of bacteria of all types. This is not a surface treatment.

It is 100% in the totality of the product.

It does not alter the physico-mechanical properties of the medical arm lift system. Simulations over 30 years show that 100% of the antibacterial properties are maintained.

All medical articulated arms incorporate Microban. Microban is the world's leading provider of anti-bacterial solutions. It has been successfully applied for more than 35 years in a wide range of products used in the hospital, construction and food industries.



Barcode gun holder H Class
Adjustable VESA

Part Number: 221.880

Barcode gun holder H Class Adjustable VESA

Universal barcode hand shower holder ideal to keep the hand shower close to the trolley without obstruction.

This barcode reader holder is attached to the VESA plate on the monitor. It is adjustable in length from 25.40 cm to 30.48 cm

This rugged barcode scanner stand is the perfect storage or scanning application.

Colour: Platinum

Weight: 0,68 Kg

Note:

When selecting additional accessories, please call our customer service to verify precise placement, positioning and limits.



Do not hesitate to contact us if you have any questions about this product.



Warranty: 5 years



000.221.880



Platinum



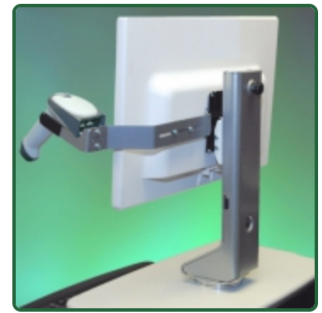
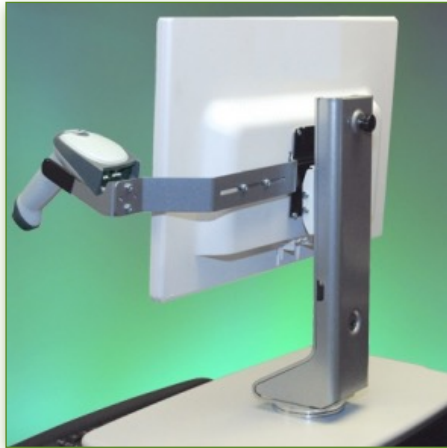
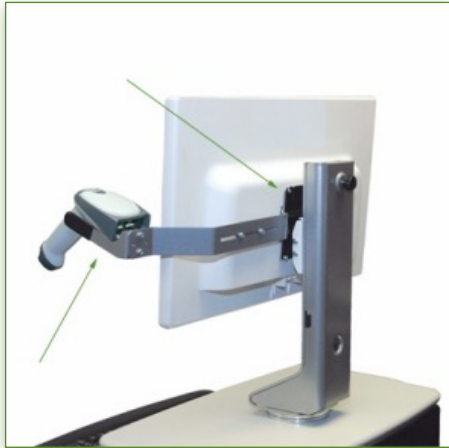
-



-



221.880



Barcode gun holder H Class
Adjustable VESA

Part Number: 221.880



Medical Grade



Do not hesitate to contact us if you have any questions about this product.



Warranty: 5 years



000.221.880



Platinum



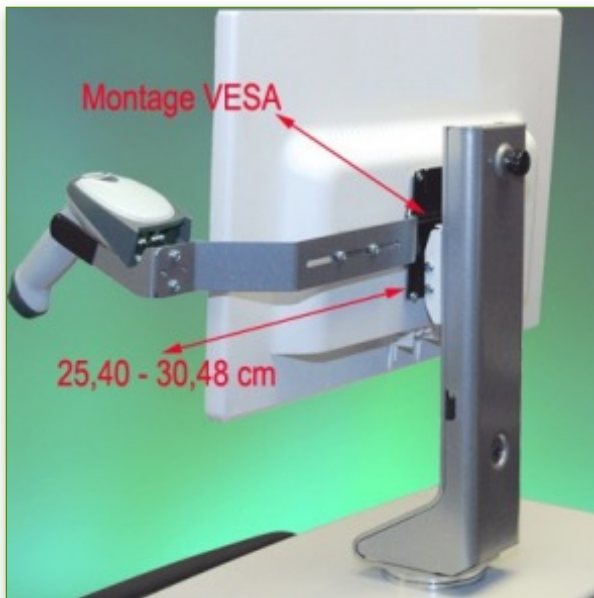
-



-



221.880



Anti-bacterial properties:

IT medical arms are now designed with Microban antibacterial protection, a revolutionary treatment that guarantees optimal hygiene. IT medical arms integrate Microban and other antibacterial agents into all medical products. It inhibits the growth of bacteria of all types. This is not a surface treatment.

It is 100% in the totality of the product.

It does not alter the physico-mechanical properties of the medical arm lift system. Simulations over 30 years show that 100% of the antibacterial properties are maintained.

All medical articulated arms incorporate Microban. Microban is the world's leading provider of anti-bacterial solutions. It has been successfully applied for more than 35 years in a wide range of products used in the hospital, construction and food industries.



Medical Stations WT H Class Combo Adjustable in Height, Wall Mount Medical Grade

Medical Grade

Innovative designs, a StS® shortened elevator technology with a factor 6 gas lift that makes computer medical elevation effortlessly unmatched in the industry.

This StS ® technology offers smooth adjustment flexibility regardless of the size and strength of the user, allowing him to maximize his comfort of use both sitting and standing. The revolutionary design of the StS technology separates from conventional technologies that do not meet the safety factor standards generally used in this type of design.

A sTs elevator technology that is not under pressure, which means that your long-term performance will remain higher.

Designed for prolonged sitting or permanent applications. The sTs technology offers a true revolution in ergonomic design that can be used by a wide range of clinicians and caregivers of all sizes, allowing them to adjust the height of the medical arm.

Robust, anodized aluminum construction, complemented by a small footprint, makes computer medical arms accessible even in places where space is at a premium.

These computerized medical workstations contribute to the encoding of critical patient care information with comfort at the patient's bedside with unmatched travel comfort. Computerized medical arms comply with hospital hygiene standards, effectively they contain less than 5% of plastic harmful to bacteria and can be disinfected in the smallest details.

An anti-bacterial coating (microban) ensures perfect hygiene of arms and all parts are therefore impermeable to bacteria, no asperities in their designs aimed at a complete cleaning, fast and easy, helping to control infections. It takes only 10 minutes to completely disinfect the workstation.

Human-centered designs place mobile computing exactly where it needs to be, reducing the time spent on each task for more efficiency. The fruit of a close collaboration with the nurses, the computer scientists, the doctors, offering them a comfort and an ergonomics unparalleled in the data entry.

These medical computer arm solutions offer healthy computing environments that promote work efficiency. Developed for superior performance, quality, durability for a better return on investment. Designed and created to minimize the impact of energy consumption and thereby reduce the harmful effects of air emissions and pollution.

Backed by a 5 year warranty, our solutions will give you all satisfactions.

An Exceptional Experience! "Often copied, never equaled"

Unmatched in technology, comfort and installation

- 1 / Compliant and CE and ROHS / DIN EN ISO 9001: 2008 certified
- 2 / Anti-bacterial coating
- 3 / Height adjustable technology
- 4 / Medical Standards
- 5 / VESA 75 and 100 mm
- 6 / Adjustment and easy control of the gas cylinder
- 7 / Toughness
- 8 / Very large movement of the arm
- 9 / Medical Design and Finishing



Bacteria-proof

Plastic, even food, is porous. This porosity, accentuated by scratches can cause bacteria nests in computerized medical arms during these constant manipulations. A biofilm can be put in place in a few hours, and allow the bacteria there to become resistant to external agents. This is why our Computer Medical Arms, contrary to what we find on the market have a complete structure in anodized aluminum. Less than 5% of plastic in their designs dedicated specifically to the medical and hospital sector.

Aluminum, its characteristics, its properties, its utility:

Main characteristics

Density: 2700 kg / m³

Density: 2.7 (three times less than steel)

The use of aluminum is therefore essential in the areas of the construction of our computer arms

Corrosion resistance:

Aluminum alloys are highly oxidizable. In the air, a layer of a few micrometers of aluminum oxide (Al₂O₃) is formed. Thanks to this thin film, aluminum alloys become resistant to corrosion. Unlike most metals, aluminum needs to oxidize to be used. Without this film of oxide, it would be unsuitable for most of its applications. Thus, under normal atmospheric conditions, exterior building claddings or aluminum alloy parts have minimal maintenance and extended service life.

Anodizing:

Forced oxidation with an electrolyte makes it possible to obtain coloring of the parts. This anodizing can also be colorless to keep the shine of the pieces (aluminum color). The protective oxide layer can be made thicker by anodization.

Recycling:

To recycle aluminum, there is nothing simpler: just melt it. In addition to environmental benefits, aluminum recycling is much less expensive than extraction from bauxite ore. It requires 95% less energy. And a ton of recycled aluminum saves four tons of bauxite. By skipping the electrolysis stage, which requires a lot of energy, we avoid the pollutant emissions associated with it. Aluminum is almost infinitely recyclable without losing its qualities. In France, aluminum is recovered as part of selective sorting. In sorting centers, it is sorted thanks to eddy currents. It is then broken and crushed and melted. The downside, aluminum remains on the market an expensive material.



Benefit:

- * Resistant to corrosion
- * Unalterable color
- * Rigid
- * Allows 100% recycling
- * Light
- * Noise and vibration reduction
- * Do not rust
- * Longevity is three to four times greater than steel
- * Absorbs considerable pressure and effort
- * Insulation
- * Effective barrier against bacteria
- * Raincoat
- * Resistant to high and low temperatures
- * Sterilizable
- * Strength, weight, versatility
- * Do not burn
- * Anti acid

Advantages of WT H Class Combo Medical Monitor Arms



Rock solid and out of the wall

Wall-mounted WT H Class workstations allow the nurse to sit or stand up while encoding the patient record. The ability to easily share information. The ability to rotate / rotate the workstation and create a healthy work environment for the caregiver also gives the patient a stress-free visit.

Maximize your efficiency Our WT H Class workstations make interaction easy by being very efficient. Whatever the job requirements, our WT H Class Workstations are designed to exceed the requirements and are designed to last.

Access to technology anytime, anywhere, working safely in health care.

Improved productivity are just some of the ways we make the difference with the Combo series WT H Class.

Below are the other important points that this WT H Class series stands out in today's health market.



1. Innovative and streamlined design:

The shape follows the function with our simple and classic aesthetic. Our simplified design promotes a healing environment and a soothing health environment.

2. Strong and Robust Construction:

Professionally designed to withstand rigorous requirements of the health care environment.

3. Compact design:

Storage 24.54 cm from the wall.

4. Easy adjustment:

35.56 cm incremental height adjustment and 270 ° rotation (with extension arm) Movement movement with one hand.

5. Worn from the wall:

Up to 150 cm range off the wall.

6. Sit-Stand Adjustment:

Whatever your size you will always find the best comfort in the chosen working position Sitting or standing.

7. Swivel independent LCD screen:

The independent LCD stand rotates 180 °, allowing the caregiver and the patient to interact.

8. A workstation, several users:

In the field of health care, the Workstations for the patient record are used by several nurses and this workstation responds all ergonomic requirements.

9. Internal management of the cables:

The internal management of the cables allows a clean and organized installation and the cables are thus out of the way.

10. Easy assembly:

Minimum installation for economical installation.

11. Disinfection:

It takes only 10 minutes to disinfect the WT H Class workstation.



Disinfection, cleaning and hygiene of medical arms WT H Class

Innovative designs, a StS® shortened lift technology with a factor 6 gas jack that allows the arms Hospital-acquired infections are a real public health problem. There are nowadays in France, about 10,000 deaths per year of these infections contracted at the hospital. They represent a very heavy burden for society, from a human, economic and social point of view. As a result, medical computer trolleys have been designed to be disinfected in their totality and disinfection takes only a very short time for the hygienist (less than 10 minutes).

WHY KEEP THE SAFE SURFACES?

- * Pathogenic microorganisms that enter the premises can survive on surfaces for long periods of time. periods of time.
- * Microorganisms that settle on surfaces can then be transmitted to the hands.
- * The germs of the hands can spread by contact, and be transmitted to other people and cause an infection.
- * Clean or disinfect surfaces to reduce the risk of cross-contamination.
- * Clean water may become contaminated if its container is not clean.



Recommended disinfectants:

1. Chlorine-based (10% max solution) - Chlorox, Novalsan, etc.
2. Formaldehyde base - 37% formaldehyde solution, Vinco Formaldegen, etc.
3. Glutaraldehyde-based stock - Aldacide 200, Lysofume, Wavicide, etc.
4. Phenol stock base - Lysol IC, many, Magna Clean, Tek-Trol, etc.
5. Alcohol Based - CaviCide, Isopropyl Alcohol, Medicide (POL-0.3), etc.
6. Oxidants - Hydrogen Peroxide Solution 3%, VikronS, Lifeguard series, etc.
7. Ammonium quaternaries - Roccal-D, Bacto-Sep, Ascend, Parvosol, etc.
8. Soap and hot water

DO NOT USE:

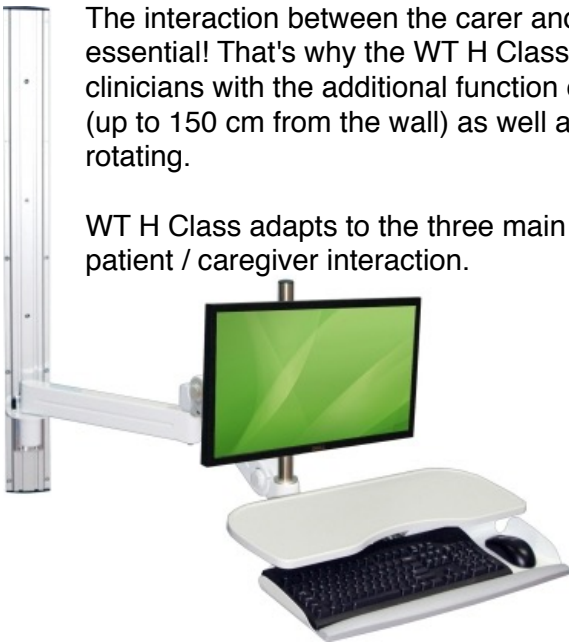
1. Oil-based liquid cleaners, such as gasoline, turpentine or petroleum
2. Acetone
3. More than 10% bleach solutions
4. Temperature or sterilization pressure

Workstation Ergonomics Combo WT H Class

Triangle of care for your patients

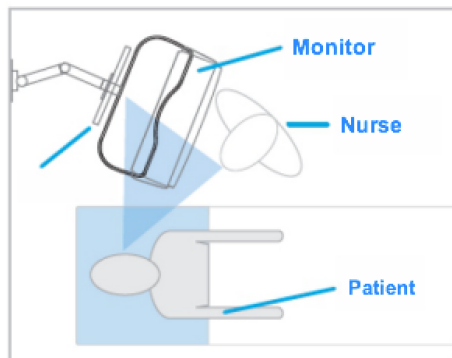
The interaction between the carer and the patient is essential! That's why the WT H Class series provides clinicians with the additional function of extended reach (up to 150 cm from the wall) as well as pivoting and rotating.

WT H Class adapts to the three main protocols of patient / caregiver interaction.

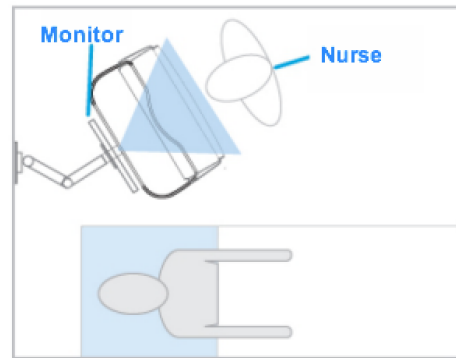


- 1 - Direct eye contact between the caregiver and the patient
- 2 - Direct contact between the caregiver and the instructor
- 3 - Direct contact between the patient and the monitor

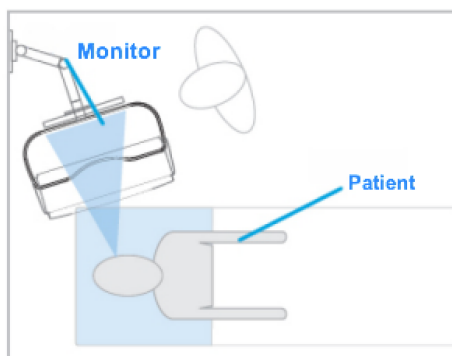
1 - Role of the carer and the patient



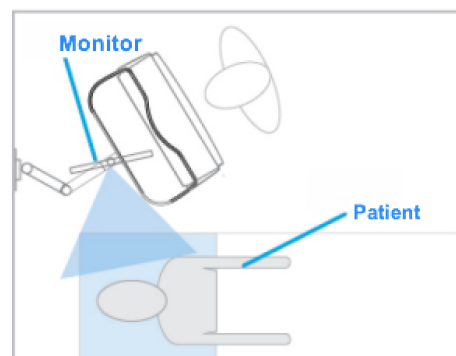
2 - Role of the carer and the monitor

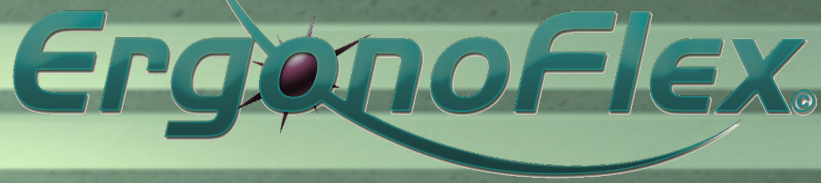


3A - Role of the patient and the monitor



**3B - Role of the patient and the monitor
Independent pivoting LCD only**





**MEDICAL STATIONS COMBO WT H CLASS
HEIGHT ADJUSTABLE WALL MOUNT**



**We have all the solutions and offer you the widest choice of professional
medical media systems compatible with the widest possible
range of medical and computer monitors.**