

MEDICAL MONITOR ARMS FIXING ON DIN VERTICAL RAIL



**We have all the solutions and offer you the widest choice of professional
medical systems and supports compatible with the widest
possible range of medical and computer monitors.**



Our Medical Products for screen

MEDICAL MONITOR ARMS FIXING ON DIN RAIL VERTICAL 10 x 25 mm

INDEX :

Medical Monitor arms mounting on Din Rail Vertical

Medical Monitor arms Din Rail Vertical mounting overview.....Page 4 - 17
Optional Accessories OverviewPage 88 - 89

Medical Monitor Arms Presentations and Data SheetsPage 18 - 87
Optional Accessories Presentations and Data SheetsPage 90 - 117

Advantages of Medical ArmsPage 118 - 125





Our Medical Products for screen

MEDICAL MONITOR ARMS FIXING ON DIN RAIL VERTICAL 10 x 25 mm

Orient and position your screen effortlessly from a vertical DIN rail

Cette gamme de produits a été conçue pour répondre à tous les besoins en matière de fixation de 1 This range of products has been designed to meet all the needs for flat screen fixation experienced by many users in the healthcare sector. Medical monitor arms help create a larger, quiet, ergonomic and individual medical workstation.

However, the medical monitor arms are not all identical. We offer several types of arms, each of which is intended for a specific application: depth adjustment, height adjustment or simply both.

We assist you in choosing the medical monitor arm that best suits your needs. Position your LCD screen at the height appropriate for your viewing comfort.

We have all the solutions and offer the widest choice of professional medical media systems compatible with the widest possible range of medical and computer displays.



Medical Monitor arms mounting on Din Rail Vertical

Depth-adjustable Medical Monitor Arms

OVERVIEW



Short Swivel Medical Arm
100 mm for screen
mounting on DIN rail Vertical

Part Number: 995.110








Medical Monitor Horizontal Arm
240mm, Mounted on
DIN Vertical Rail






Part Number: 995.504





Medical Monitor Horizontal Arm
300mm, Mounted on
DIN Vertical Rail

Part Number: 995.111

 26" Wide (Weight)
 75/100 mm
 18 Kg



 26" Wide (Weight)
 75/100 mm
 18 Kg



 26" Wide (Weight)
 75/100 mm
 18 Kg



Medical Monitor arms mounting on Din Rail Vertical






Depth-adjustable Medical Monitor Arms

OVERVIEW



Medical Monitor Horizontal Arm
2 x 300mm, Mounted on
DIN Vertical Rail

Part Number: 995.112

	26" Wide (Weight)	
	75/100 mm	
	12,5 Kg	

Medical Monitor arms mounting on Din Rail Vertical

Medical Monitor arms adjustable in depth and height

OVERVIEW



Medical Monitor Arm, Height Adjustable, 300 mm mounting on DIN rail Vertical
Part Number: 995.113-1

26" Wide (Weight)

VESA 75/100 mm

3-8 Kg

MEDICAL GRADE



Medical Monitor Arm, Height Adjustable, 300 mm mounting on DIN rail Vertical
Part Number: 995.113-2

26" Wide (Weight)

VESA 75/100 mm

5-11 Kg

MEDICAL GRADE



Medical Monitor Arm, Height Adjustable, 300 mm mounting on DIN rail Vertical
Part Number: 995.113-3

26" Wide (Weight)

VESA 75/100 mm

9-14 Kg

MEDICAL GRADE

Medical Monitor arms mounting on Din Rail Vertical

Medical Monitor arms adjustable in depth and height

OVERVIEW



Medical Monitor Arm, Height Adjustable, 300 mm mounting on DIN rail Vertical

Part Number: 995.113-4



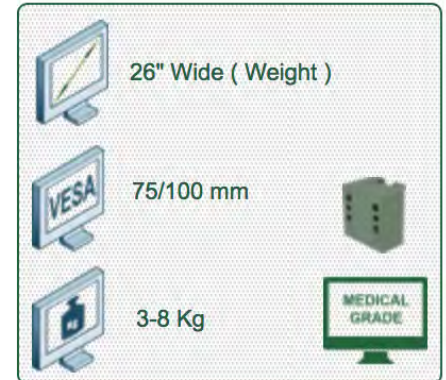
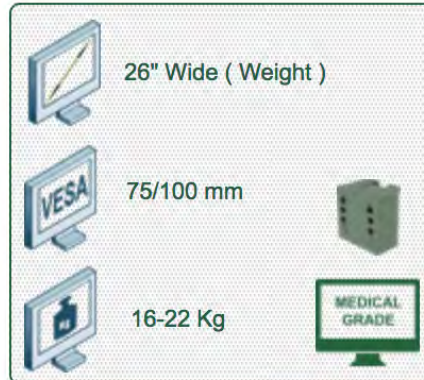
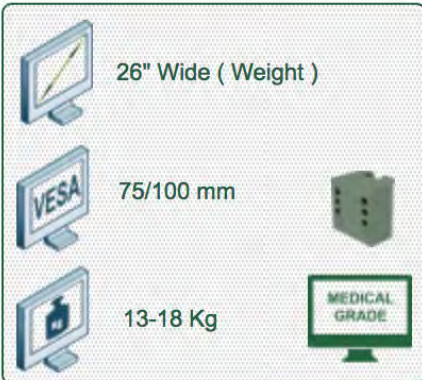
Medical Monitor Arm, Height Adjustable, 300 mm mounting on DIN rail Vertical

Part Number: 995.113-5



Medical Monitor Arm, Adjustable height, 300 + 240 mm mounting on DIN rail Vertical

Part Number: 995.540-1



Medical Monitor arms mounting on Din Rail Vertical

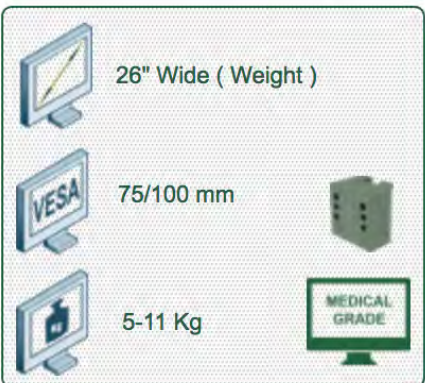
Medical Monitor arms adjustable in depth and height

OVERVIEW



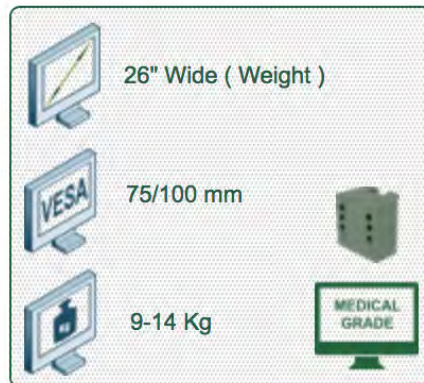
Medical Monitor Arm, Adjustable height, 300 + 240 mm mounting on DIN rail Vertical

Part Number: 995.540-2



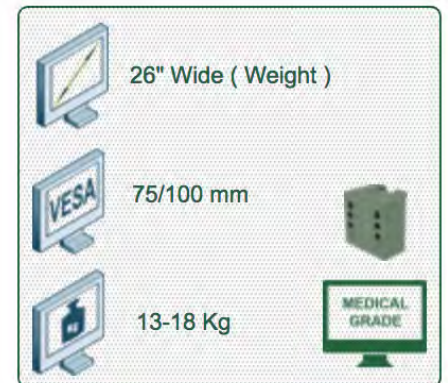
Medical Monitor Arm, Adjustable height, 300 + 240 mm mounting on DIN rail Vertical

Part Number: 995.540-3



Medical Monitor Arm, Adjustable height, 300 + 240 mm mounting on DIN rail Vertical

Part Number: 995.540-4



Medical Monitor arms mounting on Din Rail Vertical

Medical Monitor arms adjustable in depth and height

OVERVIEW



Medical Monitor Arm, Adjustable height, 300 + 240 mm mounting on DIN rail Vertical
Part Number: 995.540-5

Medical Monitor Arm PH, Height Adjustable, 300 mm mounting on DIN rail Vertical
Part Number: 995.530-1

Medical Monitor Arm PH, Height Adjustable, 300 mm mounting on DIN rail Vertical
Part Number: 995.530-2

26" Wide (Weight)

VESA 75/100 mm

16-22 Kg

MEDICAL GRADE

26" Wide (Weight)

VESA 75/100 mm

3-8 Kg

MEDICAL GRADE

26" Wide (Weight)

VESA 75/100 mm

5-11 Kg

MEDICAL GRADE

Medical Monitor arms mounting on Din Rail Vertical

Medical Monitor arms adjustable in depth and height

OVERVIEW



Medical Monitor Arm PH, Height Adjustable, 300 mm mounting on DIN rail Vertical
Part Number: 995.530-3

Medical Monitor Arm PH, Height Adjustable, 300 mm mounting on DIN rail Vertical
Part Number: 995.530-4

Medical Monitor Arm PH, Height Adjustable, 300 mm mounting on DIN rail Vertical
Part Number: 995.530-5

26" Wide (Weight)

VESA 75/100 mm

9-14 Kg

MEDICAL GRADE

26" Wide (Weight)

VESA 75/100 mm

13-18 Kg

MEDICAL GRADE

26" Wide (Weight)

VESA 75/100 mm

16-22 Kg

MEDICAL GRADE

Medical Monitor arms mounting on Din Rail Vertical

Medical Monitor arms adjustable in depth and height

OVERVIEW



Medical Monitor Arm PH, Height Adjustable, 300 + 240 mm mounting on DIN rail Vertical

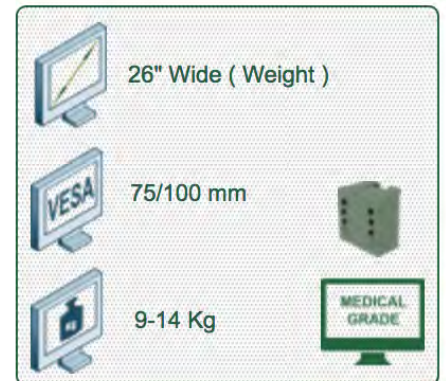
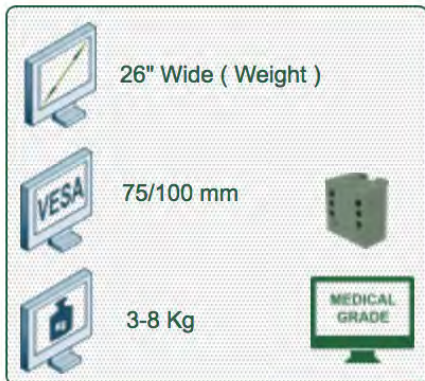
Part Number: 995.114-1

Medical Monitor Arm PH, Height Adjustable, 300 + 240 mm mounting on DIN rail Vertical

Part Number: 995.114-2

Medical Monitor Arm PH, Height Adjustable, 300 + 240 mm mounting on DIN rail Vertical

Part Number: 995.114-3



Medical Monitor arms mounting on Din Rail Vertical

Medical Monitor arms adjustable in depth and height

OVERVIEW

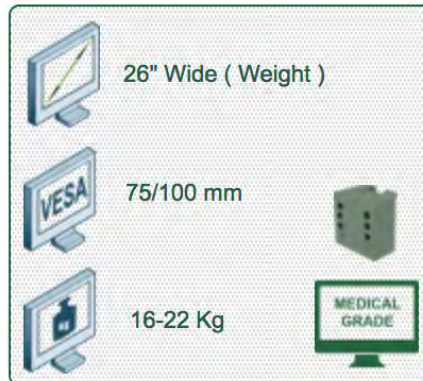
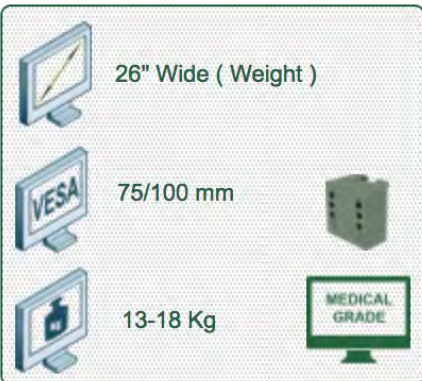


Medical Monitor Arm PH, Height Adjustable, 300 + 240 mm mounting on DIN rail Vertical

Part Number: 995.114-4

Medical Monitor Arm PH, Height Adjustable, 300 + 240 mm mounting on DIN rail Vertical

Part Number: 995.114-5



Medical Monitor arms mounting on Din Rail Vertical Medical Monitor arms adjustable in depth and height OVERVIEW



240 mm horizontal arm equipped
with a pole for two screens fixing on
Din Vertical rail

Part Number: 995.843



26" Wide (Weight)



75/100 mm



2 x 10 Kg

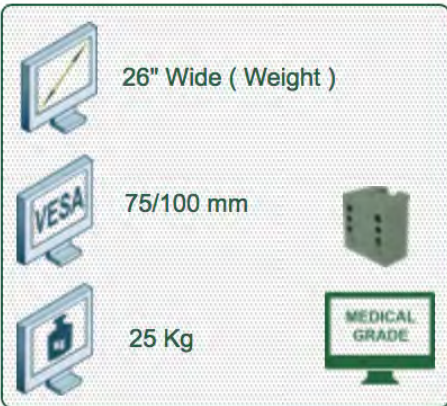


Medical Monitor arms mounting on Din Rail Vertical Medical Monitor arms adjustable in depth and height OVERVIEW

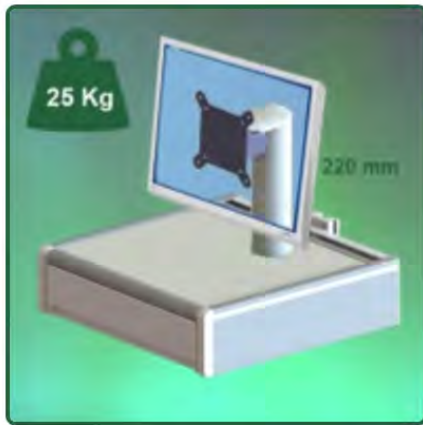


306 mm Swivel Stand Arm with 10 °
to 15 ° Tilt Foot, Vertical Din Rail
Mount

Part Number: 995.845

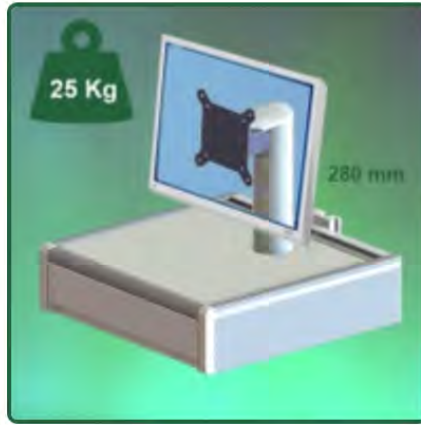


Medical Monitor arms mounting on Din Rail Vertical Medical consoles for displays OVERVIEW



Medical Monitor Console,
Height 220 mm, 1 drawer
Din Rail Vertical Mount

Part Number: 995.858



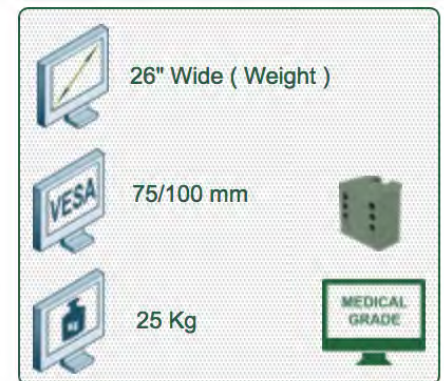
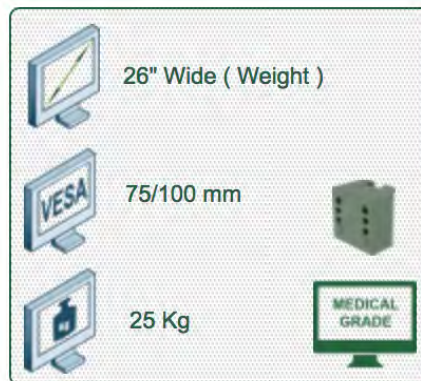
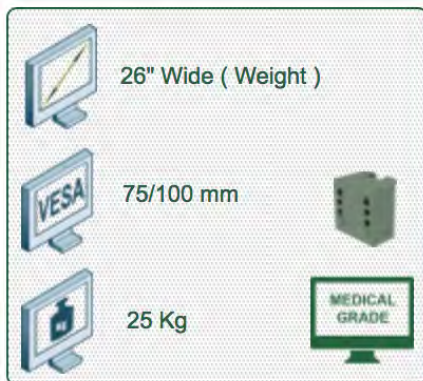
Medical Monitor Console,
Height 280 mm, 1 drawer
Din Rail Vertical Mount

Part Number: 995.859

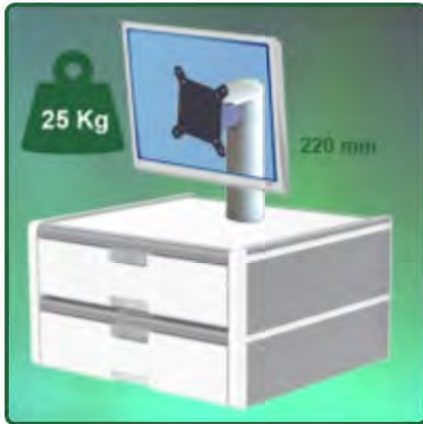


Medical Monitor Console,
Height 340 mm, 1 drawer
Din Rail Vertical Mount

Part Number: 995.860

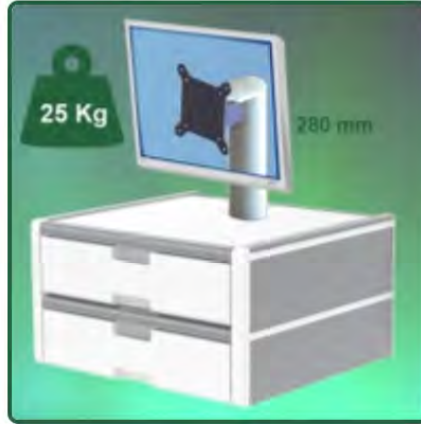


Medical Monitor arms mounting on Din Rail Vertical Medical consoles for displays OVERVIEW



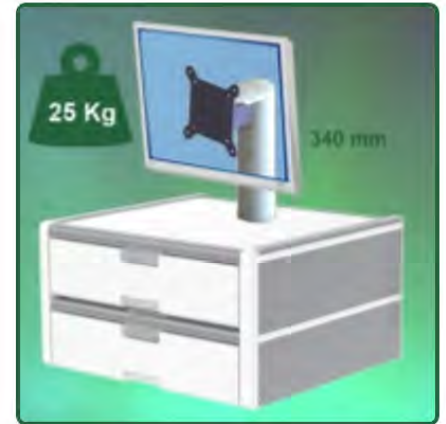
Medical Monitor Console,
Height 220 mm, 2 drawers
Din Rail Vertical Mount

Part Number: 995.861



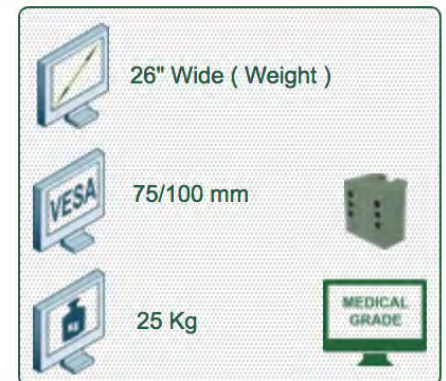
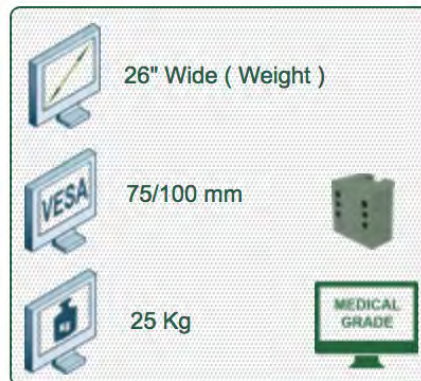
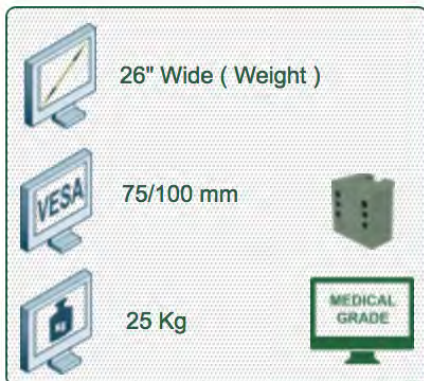
Medical Monitor Console,
Height 280 mm, 2 drawers
Din Rail Vertical Mount

Part Number: 995.862

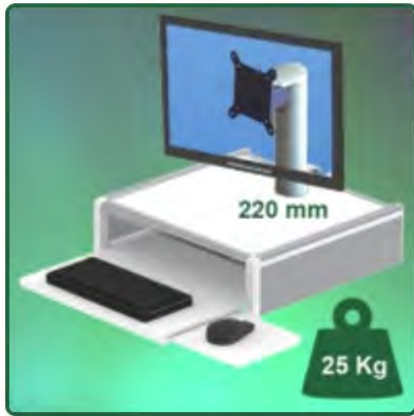


Medical Monitor Console,
Height 340 mm, 2 drawers
Din Rail Vertical Mount

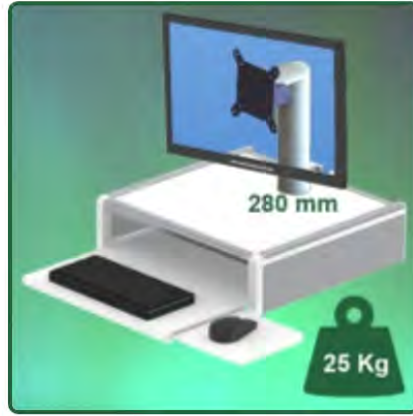
Part Number: 995.863



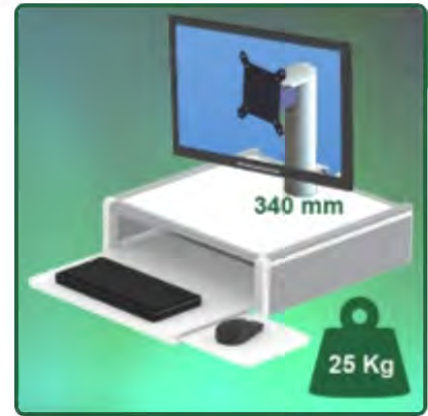
Medical Monitor arms mounting on Din Rail Vertical Medical consoles for displays OVERVIEW



New Product



New Product

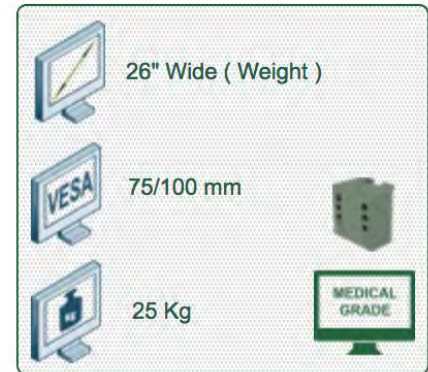
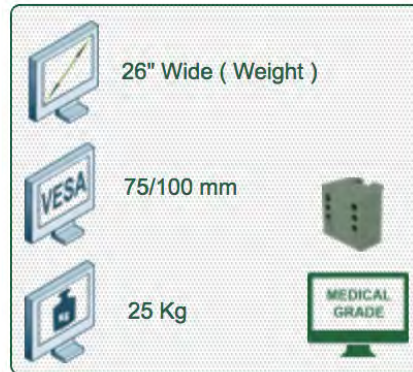
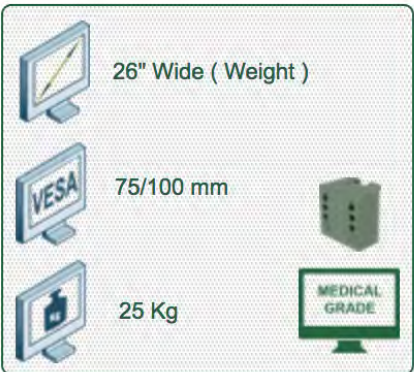


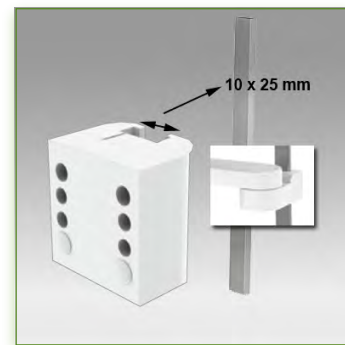
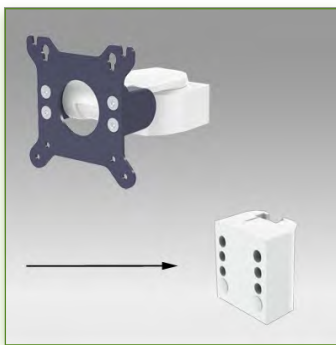
New Product

Medical Monitor Console,
Height 220 mm,
Keyboard Platform
Din Rail Vertical Mount
Part Number: 995.864

Medical Monitor Console,
Height 280 mm,
Keyboard Platform
Din Rail Vertical Mount
Part Number: 995.865

Medical Monitor Console,
Height 340 mm,
Keyboard Platform
Din Rail Vertical Mount
Part Number: 995.866





Display Compatibility: 26" Wide (Weight)
 Supported Weight: 18 Kg
 VESA standard: 75 / 100 mm

100 mm Short Pivot Medical Monitor, Mounted on Din Rail Vertical 10 x 25 mm

This mini medical arm with short pivot of 100 mm makes it possible to fix, direct and adjust perfectly the LCD screen. It is coated with an anti-microbial agent offering hygiene and cleaning down to the last detail.

Its modern design has been specially designed for healthcare environments.

Technical specifications:

- * Integrated cable channel
- * Mounting on Din Vertical Rail 10 x 25 mm adapter included (10 x 25 mm)
- * This medical arm is simply attached to the Din rail for then adjust to the vertical rail.
- * The head of this mini arm complies with the screen mounting standard: VESA MIS-D 75 mm and 100 mm.
- * Compatible with screens whose weight does not exceed 18 Kg.
- * Touch screen stability.
- * Screen tilt: 50° down and 100° up
- * Screen rotation: 105° to the right, 105° to the left.
- * Total length 146 mm
- * Compatible with multimedia terminals (TMM)
- * Colour RAL 7024 (Graphite grey) and White
- * All our medical arms are in conformity: CE, ROHS, Medical Grade, Regulations MDD 93/42 ECC.
- * Warranty: 5 years

Note: This arm can also be installed on one of our medical columns or trolleys.

Up to 26" Wide (Weight)
 75/100 mm
 18 Kg
MEDICAL GRADE

Do not hesitate to contact us if you have any questions about this product.

Warranty: 5 years

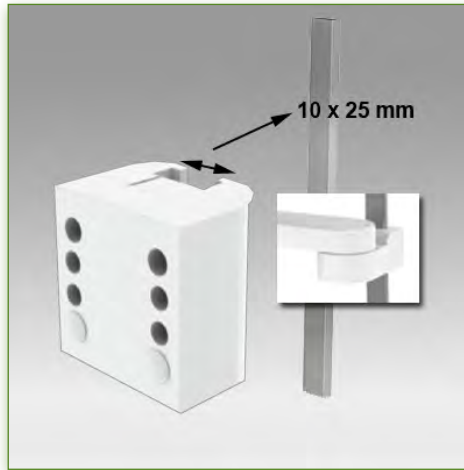
000.995.110

Graphite Grey and White

On Measure

= Depending on the elements

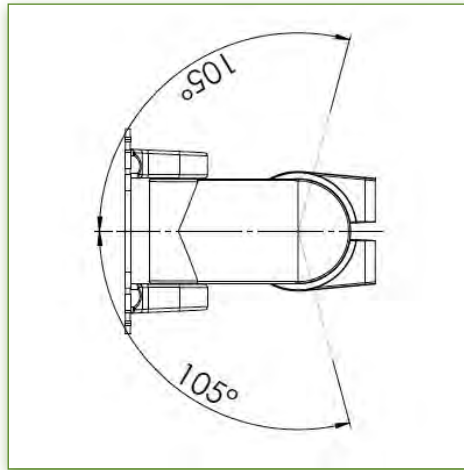
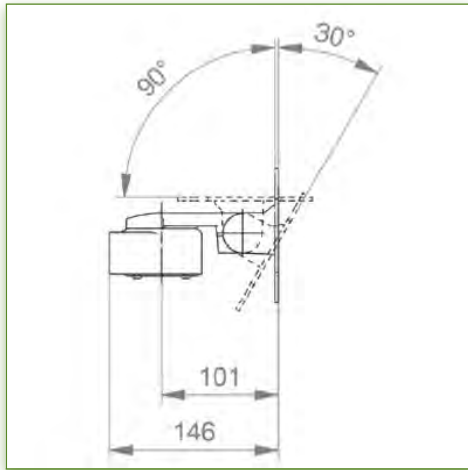
995.110



Display Compatibility: 26" Wide (Weight)
Supported Weight: 18 Kg
VESA standard: 75 / 100 mm

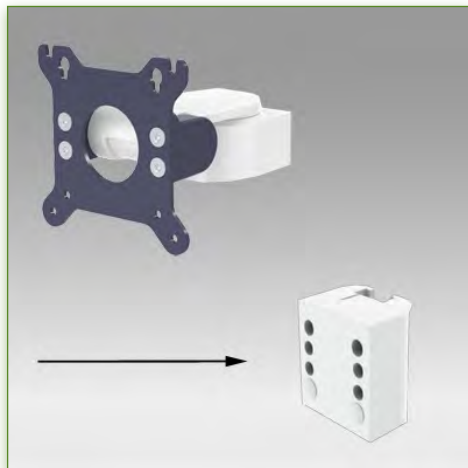
Up to 26" Wide (Weight)
75/100 mm
18 Kg

MEDICAL GRADE



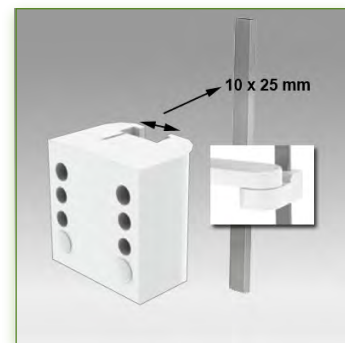
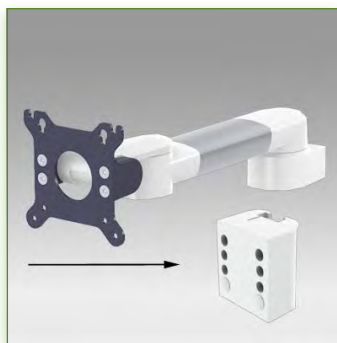
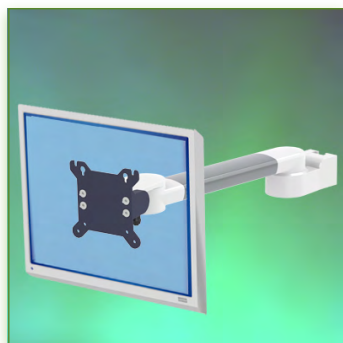
Do not hesitate to contact us if you have any questions about this product.

- Warranty: 5 years
- 000.995.110
- Graphite Grey and White
- On Measure
- = Depending on the elements
- 995.110




Anti-bacterial properties:

IT medical arms are now designed with Microban antibacterial protection, a revolutionary treatment that guarantees optimal hygiene. IT medical arms integrate Microban and other antibacterial agents into all medical products. It inhibits the growth of bacteria of all types. This is not a surface treatment. It is 100% in the totality of the product. It does not alter the physico-mechanical properties of the medical arm lift system. Simulations over 30 years show that 100% of the antibacterial properties are maintained. All medical articulated arms incorporate Microban. Microban is the world's leading provider of anti-bacterial solutions. It has been successfully applied for more than 35 years in a wide range of products used in the hospital, construction and food industries.



Display Compatibility: 26" Wide (Weight)
 Supported Weight: 18 Kg
 VESA standard: 75 / 100 mm



 Do not hesitate to contact us if you have any questions about this product.

 Warranty: 5 years

 000.995.504

 Graphite Grey and White

 On Measure

 = Depending on the elements

 995.504

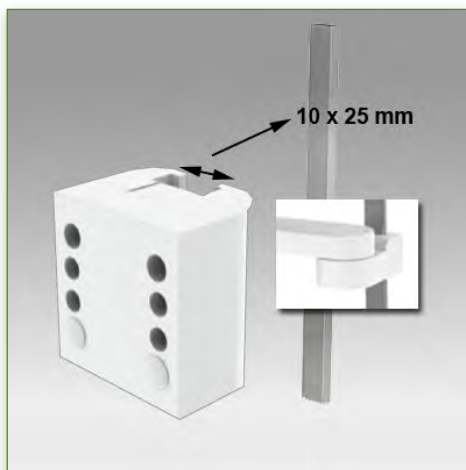
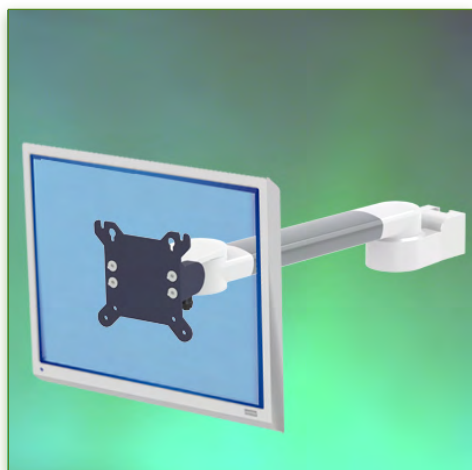
240 mm Horizontal Medical Monitor Arm , Mounted on Universal Vertical 10 x 25 mm Din Rail

This 240 mm Horizontal Arm allows the LCD screen to be perfectly fixed, oriented and adjusted. It is coated with an anti-microbial agent offering hygiene and cleaning down to the last detail. Its modern design has been specially designed for healthcare environments.

Technical specifications:

- * Integrated cable channel
- * Mounting on Din Vertical Rail 10 x 25 mm adapter included (10 x 25 mm)
- * This medical arm is simply attached to the Din rail fo then adjust to the vertical rail.
 - * The head of this arm complies with the screen mounting standard: VESA MIS-D 75 mm and 100 mm. Rotary head.
- * Compatible with screens whose weight does not exceed 18 Kg.
- * Touch screen stability.
- * Screen tilt: 50° down and 100° up
- * Screen rotation: 110° right, 110° left.
- * Arm rotation: 105° to the right, 105° to the left.
- * Total length 311 mm
- * Compatible with multimedia terminals (TMM)
- * Colour RAL 7024 (Graphite grey) and White
- * All our medical arms are in conformity: CE, ROHS, Medical Grade, Regulations MDD 93/42 ECC.
- * Warranty: 5 years

Note: This arm can also be installed on one of our medical columns or trolleys.



Display Compatibility: 26" Wide (Weight)
 Supported Weight: 18 Kg
 VESA standard: 75 / 100 mm



Up to 26" Wide (Weight)



75/100 mm



18 Kg



Medical Grade



Do not hesitate to contact us if you have any questions about this product.



Warranty: 5 years



000.995.504



Graphite Grey and White



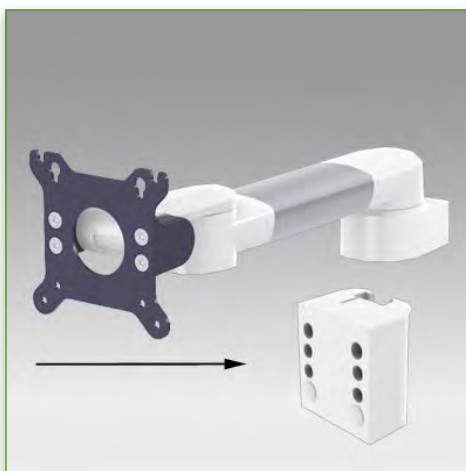
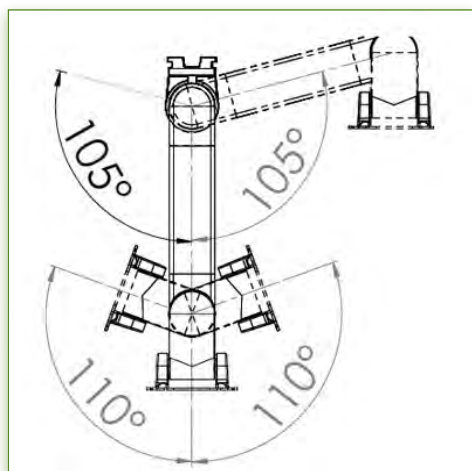
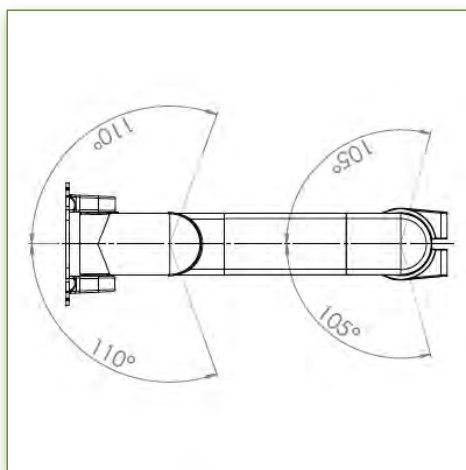
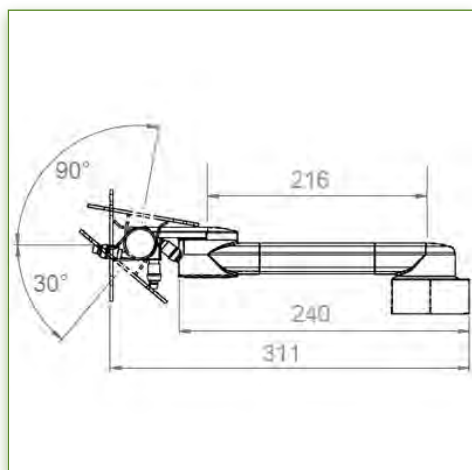
On Measure



= Depending on the elements



995.504

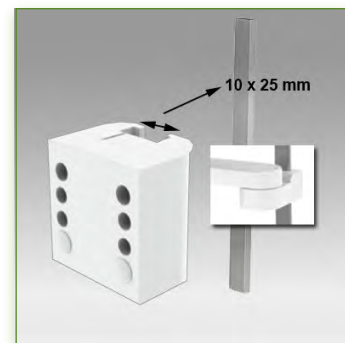
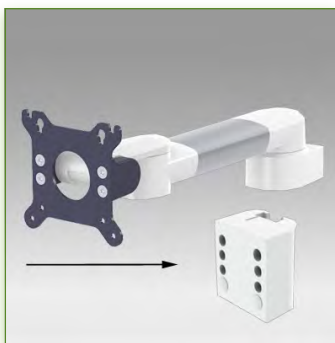
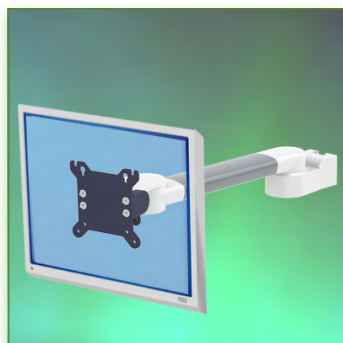


Anti-bacterial properties:

IT medical arms are now designed with Microban antibacterial protection, a revolutionary treatment that guarantees optimal hygiene. IT medical arms integrate Microban and other antibacterial agents into all medical products. It inhibits the growth of bacteria of all types. This is not a surface treatment.

It is 100% in the totality of the product. It does not alter the physico-mechanical properties of the medical arm lift system. Simulations over 30 years show that 100% of the antibacterial properties are maintained.

All medical articulated arms incorporate Microban. Microban is the world's leading provider of anti-bacterial solutions. It has been successfully applied for more than 35 years in a wide range of products used in the hospital, construction and food industries.



Display Compatibility: 26" Wide (Weight)
 Supported Weight: 18 Kg
 VESA standard: 75 / 100 mm

300 mm Horizontal Medical Monitor Arm, Din Rail Vertical
10 x 25 mm Mount

This 300 mm Horizontal Arm allows the LCD screen to be perfectly fixed, oriented and adjusted. It is coated with an anti-microbial agent offering hygiene and cleaning down to the last detail. Its modern design has been specially designed for healthcare environments.

Technical specifications:

- * Integrated cable channel
- * Mounting on Din Vertical Rail 10 x 25 mm adapter included (10 x 25 mm)
- * This medical arm is simply attached to the Din rail fo then adjust to the vertical rail.
- * It has no height adjustment.
- * The head of this arm complies with the screen mounting standard: VESA MIS-D 75 mm and 100 mm. Rotary head.
- * Compatible with screens whose weight does not exceed 18 Kg.
- * Touch screen stability.
- * Screen tilt: 50° down and 100° up
- * Screen rotation: 110° right, 110° left.
- * Arm rotation: 105° to the right, 105° to the left.
- * Total length 371 mm
- * Compatible with multimedia terminals (TMM)
- * Colour RAL 7024 (Graphite grey) and White
- * All our medical arms are in conformity: CE, ROHS, Medical Grade, Regulations MDD 93/42 ECC.
- * Warranty: 5 years

Note: This arm can also be installed on one of our medical columns or trolleys.

Up to 26" Wide (Weight)
 75/100 mm
 18 Kg
MEDICAL GRADE

Do not hesitate to contact us if you have any questions about this product.

Warranty: 5 years

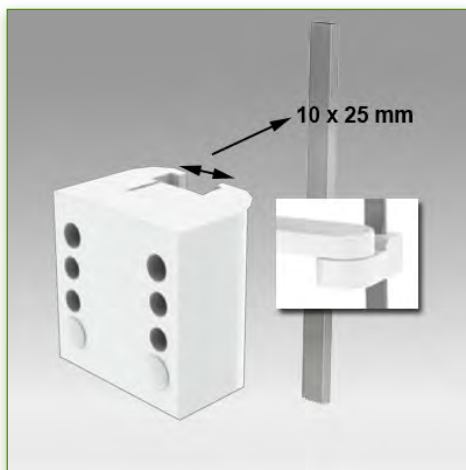
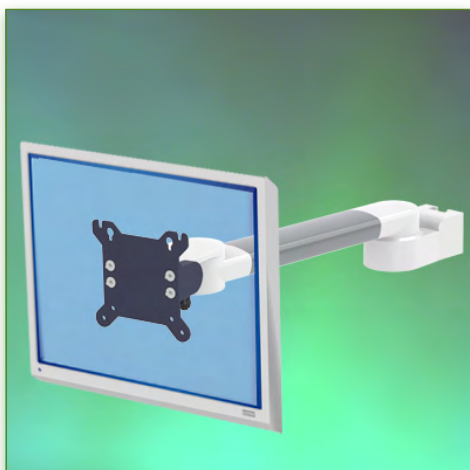
000.995.111

Graphite Grey and White

On Measure

= Depending on the elements

995.111



Display Compatibility: 26" Wide (Weight)
 Supported Weight: 18 Kg
 VESA standard: 75 / 100 mm



Up to 26" Wide (Weight)



75/100 mm



18 Kg



Medical Grade



Do not hesitate to contact us if you have any questions about this product.



Warranty: 5 years



000.995.111



Graphite Grey and White



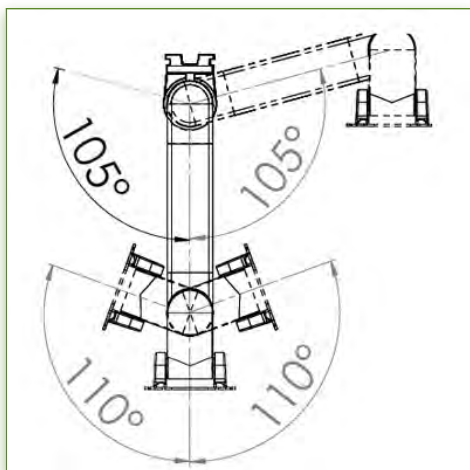
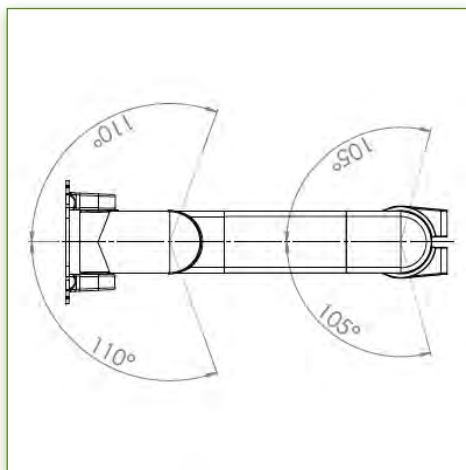
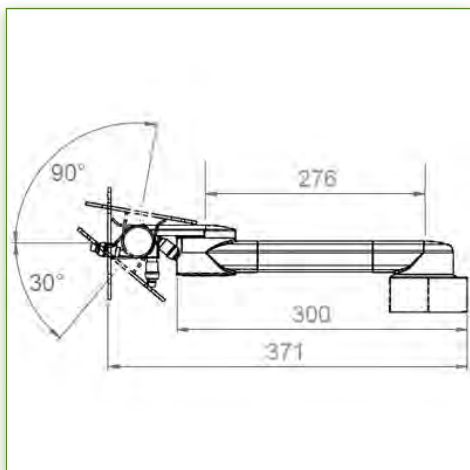
On Measure



= Depending on the elements



995.111



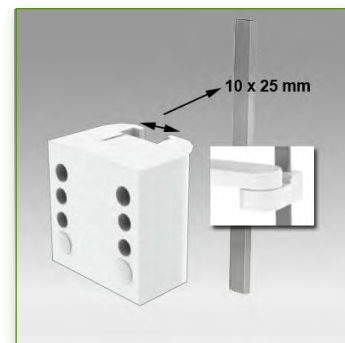
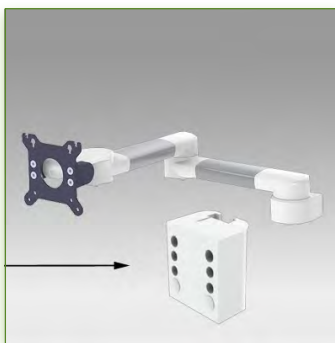
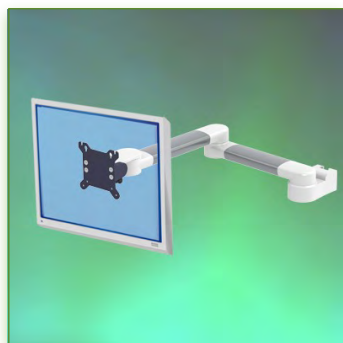
Anti-bacterial properties:

IT medical arms are now designed with Microban antibacterial protection, a revolutionary treatment that guarantees optimal hygiene. IT medical arms integrate Microban and other antibacterial agents into all medical products. It inhibits the growth of bacteria of all types. This is not a surface treatment.

It is 100% in the totality of the product.

It does not alter the physico-mechanical properties of the medical arm lift system. Simulations over 30 years show that 100% of the antibacterial properties are maintained.

All medical articulated arms incorporate Microban. Microban is the world's leading provider of anti-bacterial solutions. It has been successfully applied for more than 35 years in a wide range of products used in the hospital, construction and food industries.



Display Compatibility: 26" Wide (Weight)
 Supported Weight: 12,5 Kg
 VESA standard: 75 / 100 mm

2 x 300 mm Horizontal Medical Monitor Arm, Din Rail Vertical
10 x 25 mm Mount

This 300 mm Horizontal Arm allows the LCD screen to be perfectly fixed, oriented and adjusted. It is coated with an anti-microbial agent offering hygiene and cleaning down to the last detail. Its modern design has been specially designed for healthcare environments.

Technical specifications:

- * Integrated cable channel
- * Mounting on Din Vertical Rail 10 x 25 mm adapter included (10 x 25 mm)
- * This medical arm is simply attached to the Din rail fo then adjust to the vertical rail.
- * It has no height adjustment.
- * The head of this arm complies with the screen mounting standard: VESA MIS-D 75 mm and 100 mm. Rotary head.
- * Compatible with screens whose weight does not exceed 12,5 Kg.
- * Touch screen stability.
- * Screen tilt: 50° down and 100° up
- * Screen rotation: 110° right, 110° left.
- * Arm rotation: 105° to the right, 105° to the left.
- * Total length 604 mm
- * Compatible with multimedia terminals (TMM)
- * Colour RAL 7024 (Graphite grey) and White
- * All our medical arms are in conformity: CE, ROHS, Medical Grade, Regulations MDD 93/42 ECC.
- * Warranty: 5 years

Note: This arm can also be installed on one of our medical columns or trolleys.

Up to 26" Wide (Weight)

VESA 75/100 mm

12,5 Kg



Do not hesitate to contact us if you have any questions about this product.

Warranty: 5 years

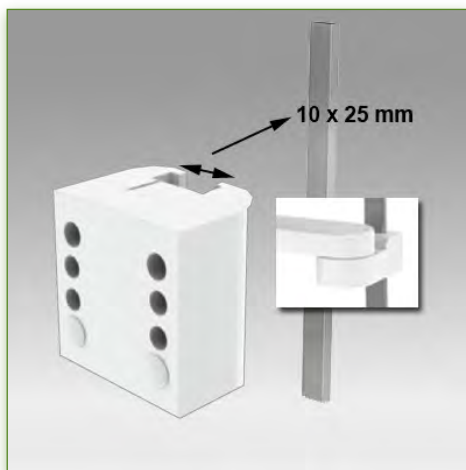
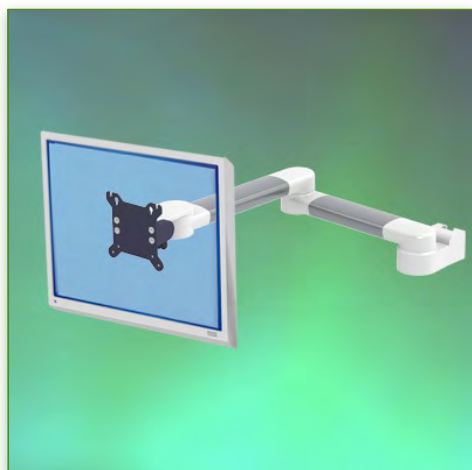
000.995.112

Graphite Grey and White

On Measure

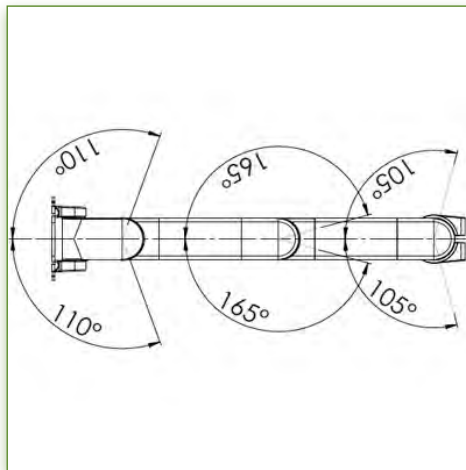
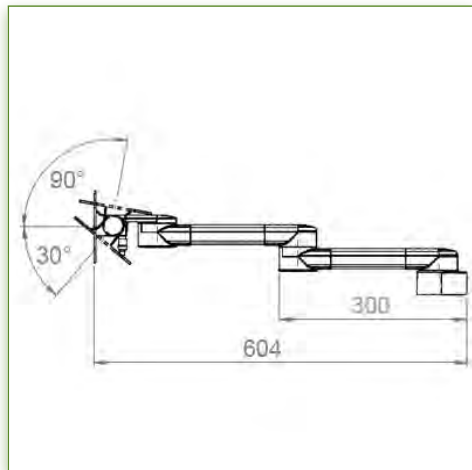
= Depending on the elements

995.112



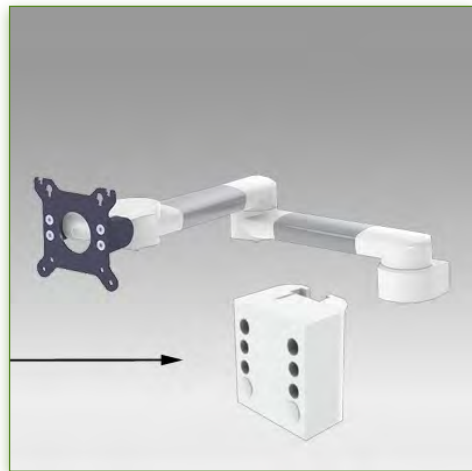
Display Compatibility: 26" Wide (Weight)
 Supported Weight: 12,5 Kg
 VESA standard: 75 / 100 mm

Up to 26" Wide (Weight)
 75/100 mm
 12,5 Kg



Do not hesitate to contact us if you have any questions about this product.

- Warranty: 5 years**
- 000.995.112
- Graphite Grey and White
- On Measure
- = Depending on the elements
- 995.112



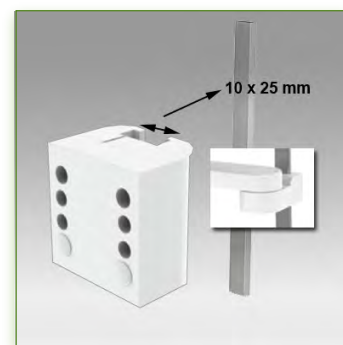
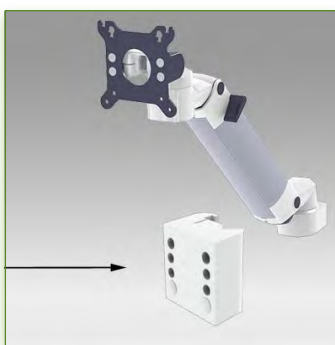
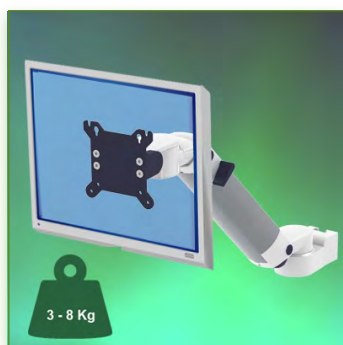
Anti-bacterial properties:

IT medical arms are now designed with Microban antibacterial protection, a revolutionary treatment that guarantees optimal hygiene. IT medical arms integrate Microban and other antibacterial agents into all medical products. It inhibits the growth of bacteria of all types. This is not a surface treatment.

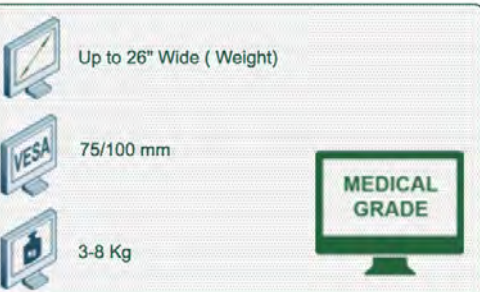
It is 100% in the totality of the product.

It does not alter the physico-mechanical properties of the medical arm lift system. Simulations over 30 years show that 100% of the antibacterial properties are maintained.

All medical articulated arms incorporate Microban. Microban is the world's leading provider of anti-bacterial solutions. It has been successfully applied for more than 35 years in a wide range of products used in the hospital, construction and food industries.



Display Compatibility: 26" Wide (Weight)
 Supported Weight: 3-8 Kg
 VESA standard: 75 / 100 mm



Do not hesitate to contact us if you have any questions about this product.

Warranty: 5 years

000.995.113-1

Graphite Grey and White

On Measure

= Depending on the elements

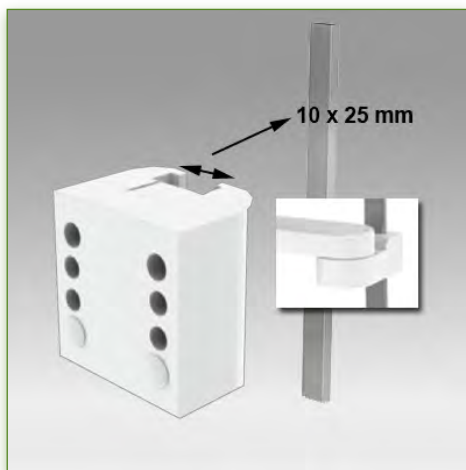
995.113-1

300 mm Height Adjustable Medical Arm, Mounted on Universal vertical Din Rail 10 x 25 mm

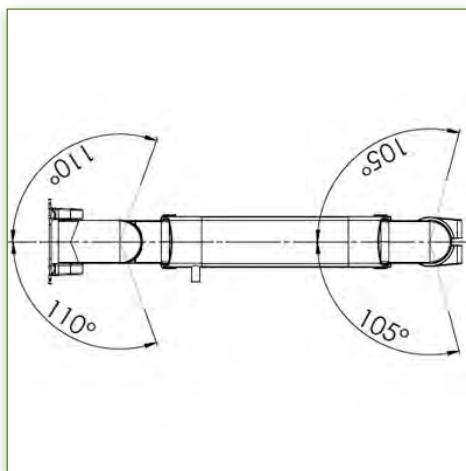
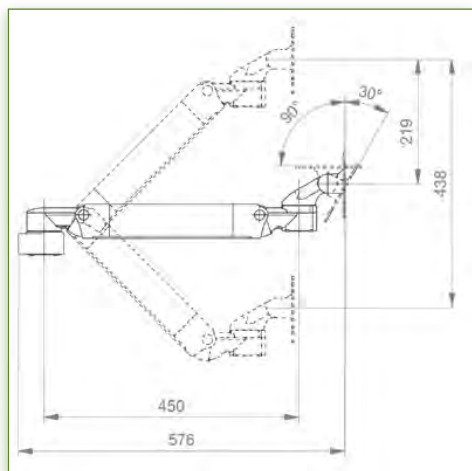
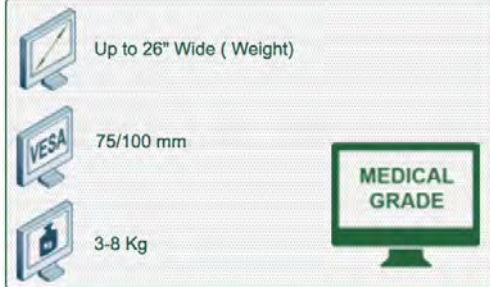
This 300 mm Horizontal Medical Arm with gas spring height adjustment allows the LCD screen to be perfectly fixed, oriented and adjusted. It is coated with an anti-microbial agent offering hygiene and cleaning down to the last detail. Its modern design has been specially designed for healthcare environments.

Technical specifications:

- * Integrated cable channel
 - * Equipotential bonding
 - * Mounting on Din Vertical Rail 10 x 25 mm adapter included (10 x 25 mm)
 - * This medical arm is simply attached to the Din rail fo then adjust to the vertical rail.
 - * It has a safety stop button for the height adjustment, which allows the arm to remain in the chosen position.
 - * The head of this arm complies with the screen mounting standard: VESA MIS-D 75 mm and 100 mm.
 - * Compatible with screens whose weight does not exceed 3-8 Kg.
 - * Touch screen stability.
 - * Screen tilt: 50° down and 100° up
 - * Screen rotation: 110° right, 110° left.
 - * Arm rotation: 105° to the right, 105° to the left.
 - * Height adjustment: 45° down, 45° up * Total length 576 mm
 - * Compatible with multimedia terminals (TMM)
 - * Colour RAL 7024 (Graphite grey) and White
 - * All our medical arms are in conformity: CE, ROHS, Medical Grade, Regulations MDD 93/42 ECC.
 - * Warranty: 5 years
- Note: This arm can also be installed on one of our medical columns or trolleys.

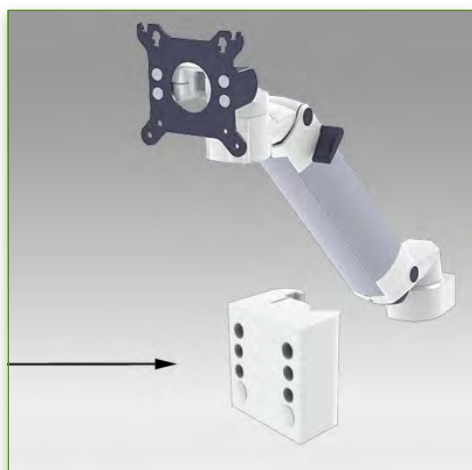


Display Compatibility: 26" Wide (Weight)
 Supported Weight: 3-8 Kg
 VESA standard: 75 / 100 mm



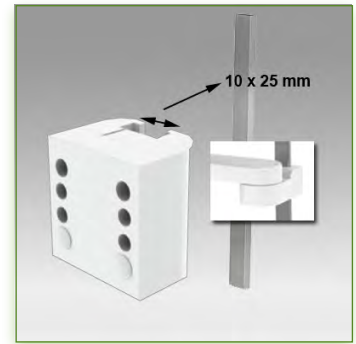
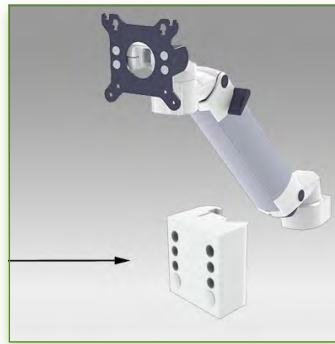
Do not hesitate to contact us if you have any questions about this product.

- Warranty: 5 years
- 000.995.113-1
- Graphite Grey and White
- On Measure
- = Depending on the elements
- 995.113-1



Anti-bacterial properties:

IT medical arms are now designed with Microban antibacterial protection, a revolutionary treatment that guarantees optimal hygiene. IT medical arms integrate Microban and other antibacterial agents into all medical products. It inhibits the growth of bacteria of all types. This is not a surface treatment. It is 100% in the totality of the product. It does not alter the physico-mechanical properties of the medical arm lift system. Simulations over 30 years show that 100% of the antibacterial properties are maintained. All medical articulated arms incorporate Microban. Microban is the world's leading provider of anti-bacterial solutions. It has been successfully applied for more than 35 years in a wide range of products used in the hospital, construction and food industries.



Display Compatibility: 26" Wide (Weight)
 Supported Weight: 5-11 Kg
 VESA standard: 75 / 100 mm



300 mm Height Adjustable Medical Arm, Mounted on Universal vertical Din Rail 10 x 25 mm

This 300 mm Horizontal Medical Arm with gas spring height adjustment allows the LCD screen to be perfectly fixed, oriented and adjusted. It is coated with an anti-microbial agent offering hygiene and cleaning down to the last detail. Its modern design has been specially designed for healthcare environments.

Technical specifications:

- * Integrated cable channel
- * Equipotential bonding
- * Mounting on Din Vertical Rail 10 x 25 mm adapter included (10 x 25 mm)
- * This medical arm is simply attached to the Din rail fo then adjust to the vertical rail.
- * It has a safety stop button for the height adjustment, which allows the arm to remain in the chosen position.
- * The head of this arm complies with the screen mounting standard: VESA MIS-D 75 mm and 100 mm.
- * Compatible with screens whose weight does not exceed 5-11 Kg.
- * Touch screen stability.
- * Screen tilt: 50° down and 100° up
- * Screen rotation: 110° right, 110° left.
- * Arm rotation: 105° to the right, 105° to the left.
- * Height adjustment: 45° down, 45° up * Total length 576 mm
- * Compatible with multimedia terminals (TMM)
- * Colour RAL 7024 (Graphite grey) and White
- * All our medical arms are in conformity: CE, ROHS, Medical Grade, Regulations MDD 93/42 ECC.
- * Warranty: 5 years

Note: This arm can also be installed on one of our medical columns or trolleys.

Do not hesitate to contact us if you have any questions about this product.

Warranty: 5 years

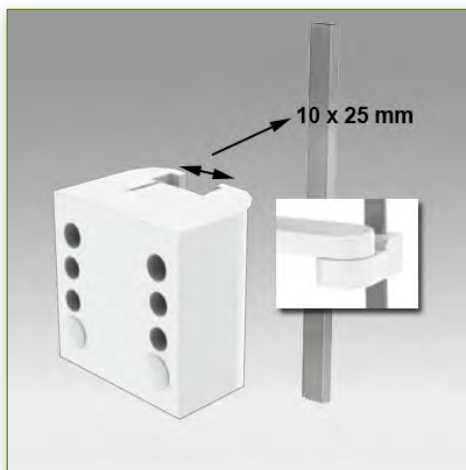
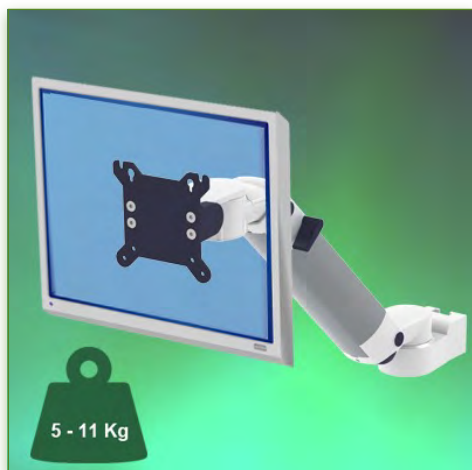
000.995.113-2

Graphite Grey and White

On Measure

= Depending on the elements

995.113-2



Display Compatibility: 26" Wide (Weight)
 Supported Weight: 5-11 Kg
 VESA standard: 75 / 100 mm



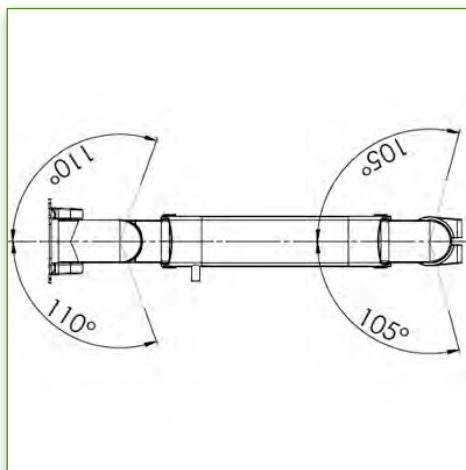
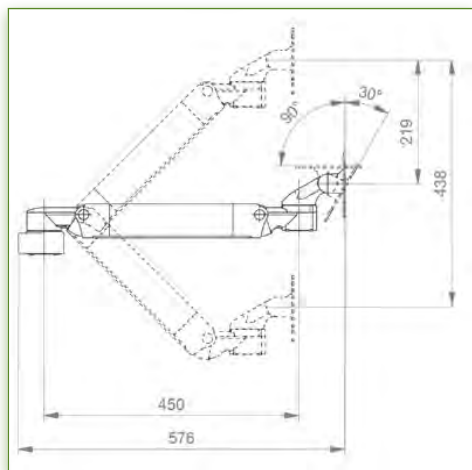
Up to 26" Wide (Weight)



75/100 mm



5-11 Kg



Medical Grade



Do not hesitate to contact us if you have any questions about this product.



Warranty: 5 years



000.995.113-2



Graphite Grey and White



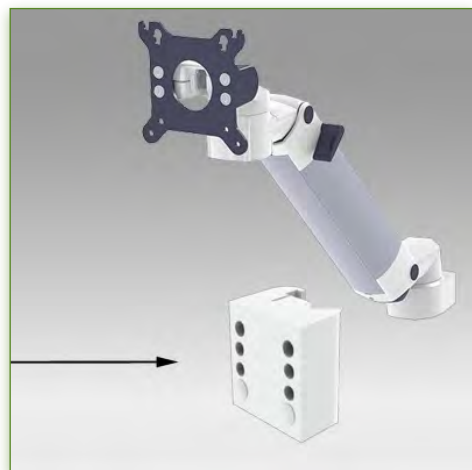
On Measure



= Depending on the elements

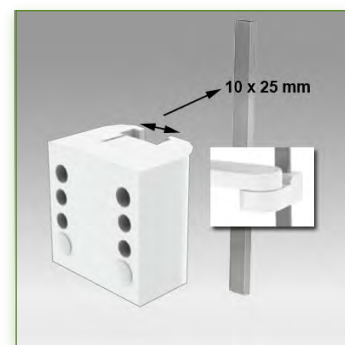
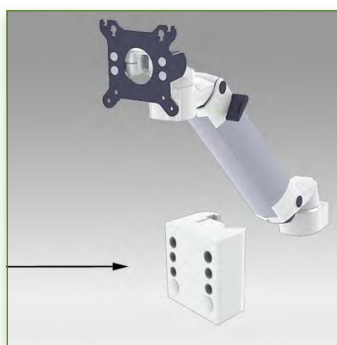
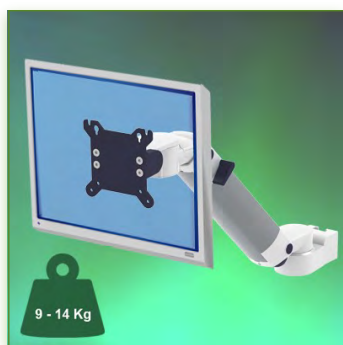


995.113-2



Anti-bacterial properties:

IT medical arms are now designed with Microban antibacterial protection, a revolutionary treatment that guarantees optimal hygiene. IT medical arms integrate Microban and other antibacterial agents into all medical products. It inhibits the growth of bacteria of all types. This is not a surface treatment. It is 100% in the totality of the product. It does not alter the physico-mechanical properties of the medical arm lift system. Simulations over 30 years show that 100% of the antibacterial properties are maintained. All medical articulated arms incorporate Microban. Microban is the world's leading provider of anti-bacterial solutions. It has been successfully applied for more than 35 years in a wide range of products used in the hospital, construction and food industries.



Display Compatibility: 26" Wide (Weight)
 Supported Weight: 9-14 Kg
 VESA standard: 75 / 100 mm

Up to 26" Wide (Weight)
 75/100 mm
 9-14 Kg
MEDICAL GRADE

Do not hesitate to contact us if you have any questions about this product.

Warranty: 5 years

000.995.113-3

Graphite Grey and White

On Measure

= Depending on the elements

995.113-3

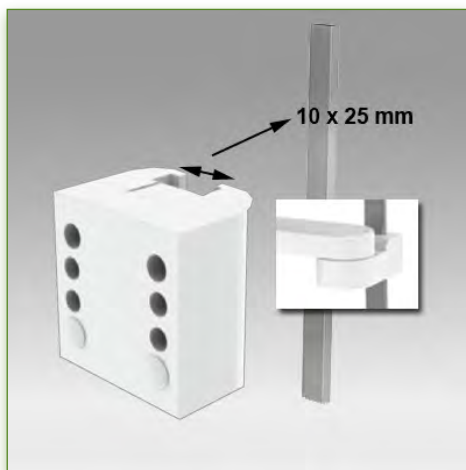
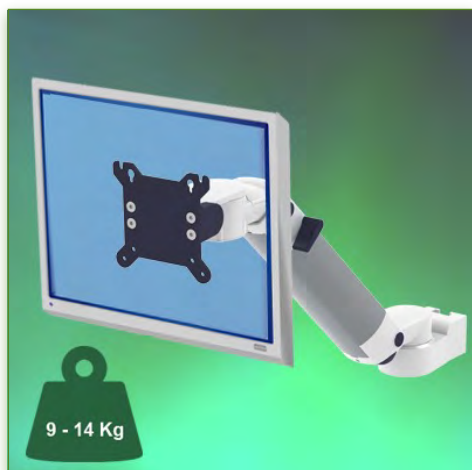
300 mm Height Adjustable Medical Arm, Mounted on Universal vertical Din Rail 10 x 25 mm

This 300 mm Horizontal Medical Arm with gas spring height adjustment allows the LCD screen to be perfectly fixed, oriented and adjusted. It is coated with an anti-microbial agent offering hygiene and cleaning down to the last detail. Its modern design has been specially designed for healthcare environments.

Technical specifications:

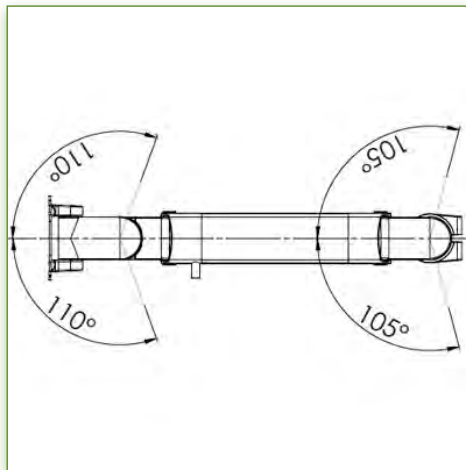
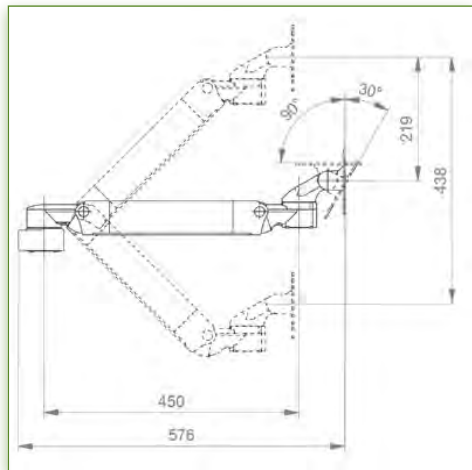
- * Integrated cable channel
- * Equipotential bonding
- * Mounting on Din Vertical Rail 10 x 25 mm adapter included (10 x 25 mm)
- * This medical arm is simply attached to the Din rail fo then adjust to the vertical rail.
- * It has a safety stop button for the height adjustment, which allows the arm to remain in the chosen position.
- * The head of this arm complies with the screen mounting standard: VESA MIS-D 75 mm and 100 mm.
- * Compatible with screens whose weight does not exceed 9-14 Kg.
- * Touch screen stability.
- * Screen tilt: 50° down and 100° up
- * Screen rotation: 110° right, 110° left.
- * Arm rotation: 105° to the right, 105° to the left.
- * Height adjustment: 45° down, 45° up * Total length 576 mm
- * Compatible with multimedia terminals (TMM)
- * Colour RAL 7024 (Graphite grey) and White
- * All our medical arms are in conformity: CE, ROHS, Medical Grade, Regulations MDD 93/42 ECC.
- * Warranty: 5 years

Note: This arm can also be installed on one of our medical columns or trolleys.



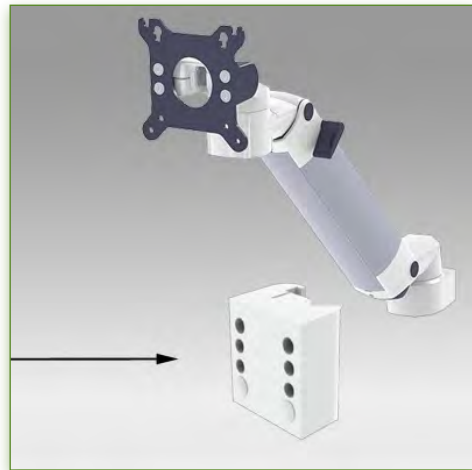
Display Compatibility: 26" Wide (Weight)
 Supported Weight: 9-14 Kg
 VESA standard: 75 / 100 mm

Up to 26" Wide (Weight)
 75/100 mm
 9-14 Kg



Do not hesitate to contact us if you have any questions about this product.

- Warranty: 5 years
- 000.995.113-3
- Graphite Grey and White
- On Measure
- = Depending on the elements
- 995.113-3

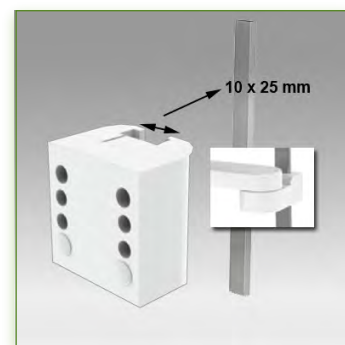
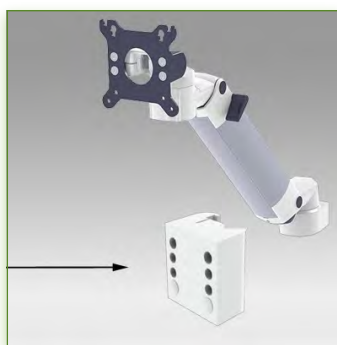
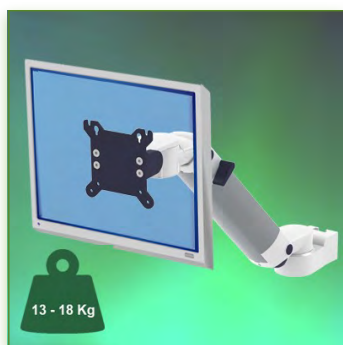


Anti-bacterial properties:

IT medical arms are now designed with Microban antibacterial protection, a revolutionary treatment that guarantees optimal hygiene. IT medical arms integrate Microban and other antibacterial agents into all medical products. It inhibits the growth of bacteria of all types. This is not a surface treatment.

It is 100% in the totality of the product. It does not alter the physico-mechanical properties of the medical arm lift system. Simulations over 30 years show that 100% of the antibacterial properties are maintained.

All medical articulated arms incorporate Microban. Microban is the world's leading provider of anti-bacterial solutions. It has been successfully applied for more than 35 years in a wide range of products used in the hospital, construction and food industries.



Display Compatibility: 26" Wide (Weight)
 Supported Weight: 13-18 Kg
 VESA standard: 75 / 100 mm

Up to 26" Wide (Weight)
 75/100 mm
 13-18 Kg

Do not hesitate to contact us if you have any questions about this product.

Warranty: 5 years

000.995.113-4

Graphite Grey and White

On Measure

= Depending on the elements

995.113-4

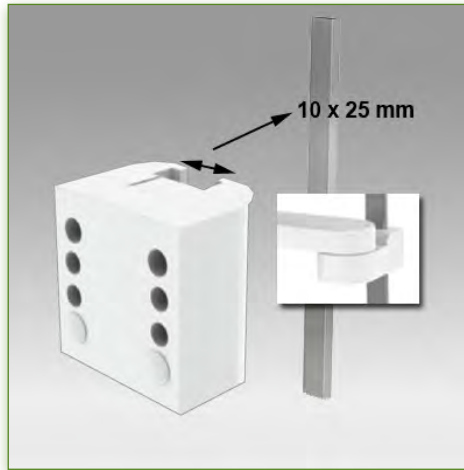
300 mm Height Adjustable Medical Arm, Mounted on Universal vertical Din Rail 10 x 25 mm

This 300 mm Horizontal Medical Arm with gas spring height adjustment allows the LCD screen to be perfectly fixed, oriented and adjusted. It is coated with an anti-microbial agent offering hygiene and cleaning down to the last detail. Its modern design has been specially designed for healthcare environments.

Technical specifications:

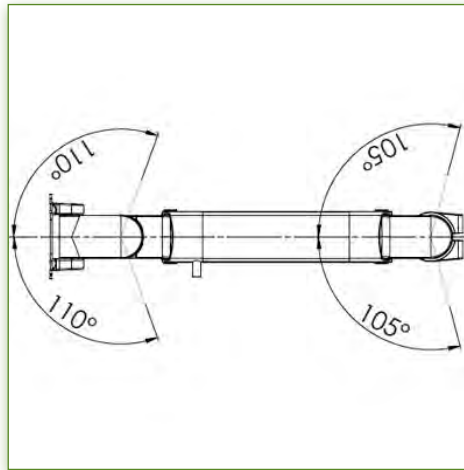
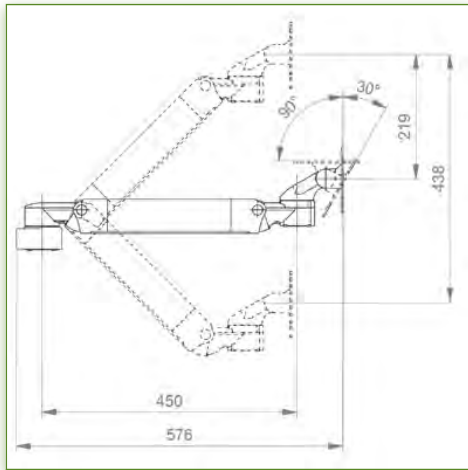
- * Integrated cable channel
- * Equipotential bonding
- * Mounting on Din Vertical Rail 10 x 25 mm adapter included (10 x 25 mm)
- * This medical arm is simply attached to the Din rail fo then adjust to the vertical rail.
- * It has a safety stop button for the height adjustment, which allows the arm to remain in the chosen position.
- * The head of this arm complies with the screen mounting standard: VESA MIS-D 75 mm and 100 mm.
- * Compatible with screens whose weight does not exceed 13-18 Kg.
- * Touch screen stability.
- * Screen tilt: 50° down and 100° up
- * Screen rotation: 110° right, 110° left.
- * Arm rotation: 105° to the right, 105° to the left.
- * Height adjustment: 45° down, 45° up * Total length 576 mm
- * Compatible with multimedia terminals (TMM)
- * Colour RAL 7024 (Graphite grey) and White
- * All our medical arms are in conformity: CE, ROHS, Medical Grade, Regulations MDD 93/42 ECC.
- * Warranty: 5 years

Note: This arm can also be installed on one of our medical columns or trolleys.



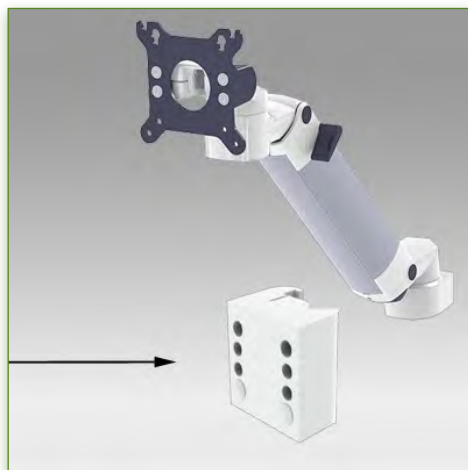
Display Compatibility: 26" Wide (Weight)
 Supported Weight: 13-18 Kg
 VESA standard: 75 / 100 mm

Up to 26" Wide (Weight)
 75/100 mm
 13-18 Kg



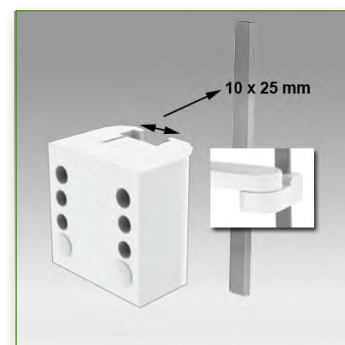
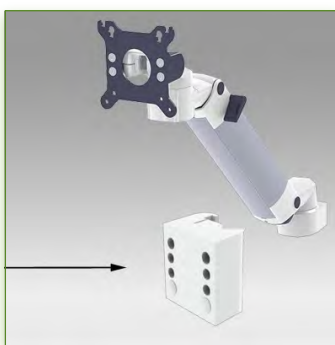
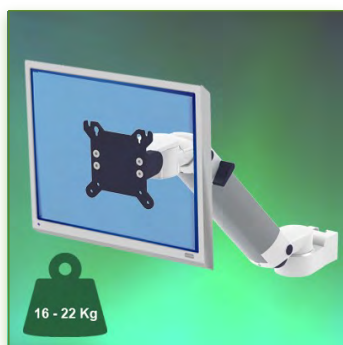
Do not hesitate to contact us if you have any questions about this product.

- Warranty: 5 years
- 000.995.113-4
- Graphite Grey and White
- On Measure
- = Depending on the elements
- 995.113-4



Anti-bacterial properties:

IT medical arms are now designed with Microban antibacterial protection, a revolutionary treatment that guarantees optimal hygiene. IT medical arms integrate Microban and other antibacterial agents into all medical products. It inhibits the growth of bacteria of all types. This is not a surface treatment. It is 100% in the totality of the product. It does not alter the physico-mechanical properties of the medical arm lift system. Simulations over 30 years show that 100% of the antibacterial properties are maintained. All medical articulated arms incorporate Microban. Microban is the world's leading provider of anti-bacterial solutions. It has been successfully applied for more than 35 years in a wide range of products used in the hospital, construction and food industries.



Display Compatibility: 26" Wide (Weight)
 Supported Weight: 16-22 Kg
 VESA standard: 75 / 100 mm

300 mm Height Adjustable Medical Arm, Mounted on Universal vertical Din Rail 10 x 25 mm

This 300 mm Horizontal Medical Arm with gas spring height adjustment allows the LCD screen to be perfectly fixed, oriented and adjusted. It is coated with an anti-microbial agent offering hygiene and cleaning down to the last detail. Its modern design has been specially designed for healthcare environments.

Technical specifications:

- * Integrated cable channel
- * Equipotential bonding
- * Mounting on Din Vertical Rail 10 x 25 mm adapter included (10 x 25 mm)
- * This medical arm is simply attached to the Din rail fo then adjust to the vertical rail.
- * It has a safety stop button for the height adjustment, which allows the arm to remain in the chosen position.
- * The head of this arm complies with the screen mounting standard: VESA MIS-D 75 mm and 100 mm.
- * Compatible with screens whose weight does not exceed 16-22 Kg.
- * Touch screen stability.
- * Screen tilt: 50° down and 100° up
- * Screen rotation: 110° right, 110° left.
- * Arm rotation: 105° to the right, 105° to the left.
- * Height adjustment: 45° down, 45° up * Total length 576 mm
- * Compatible with multimedia terminals (TMM)
- * Colour RAL 7024 (Graphite grey) and White
- * All our medical arms are in conformity: CE, ROHS, Medical Grade, Regulations MDD 93/42 ECC.
- * Warranty: 5 years

Note: This arm can also be installed on one of our medical columns or trolleys.

Up to 26" Wide (Weight)
 75/100 mm
 16-22 Kg
MEDICAL GRADE

Do not hesitate to contact us if you have any questions about this product.

Warranty: 5 years

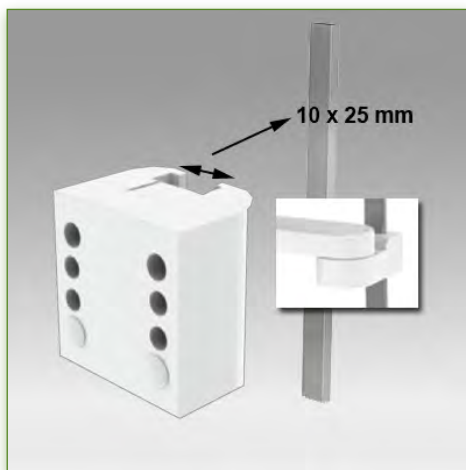
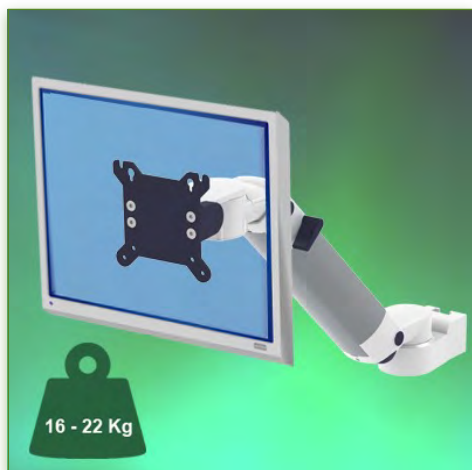
000.995.113-5

Graphite Grey and White

On Measure

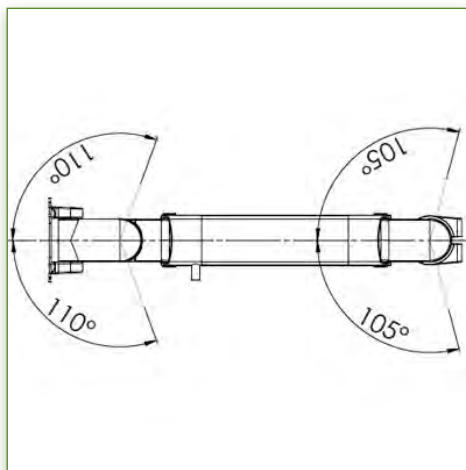
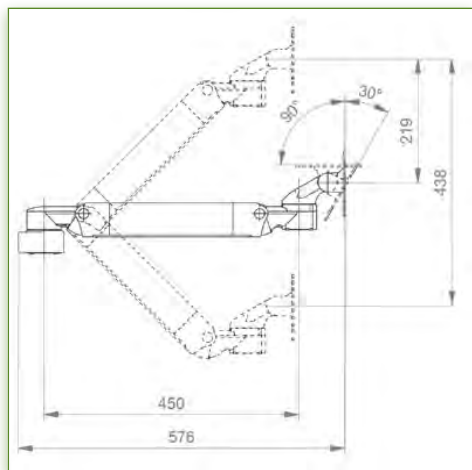
= Depending on the elements

995.113-5



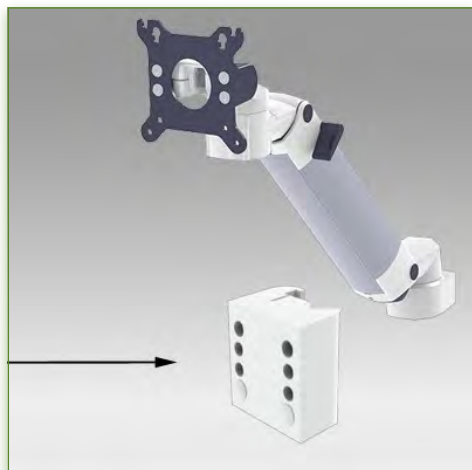
Display Compatibility: 26" Wide (Weight)
 Supported Weight: 16-22 Kg
 VESA standard: 75 / 100 mm

Up to 26" Wide (Weight)
 75/100 mm
 16-22 Kg



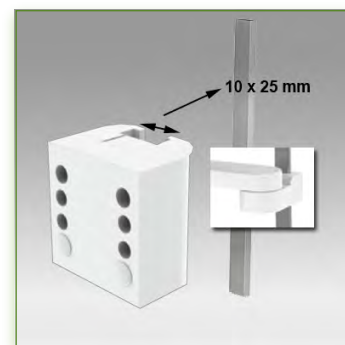
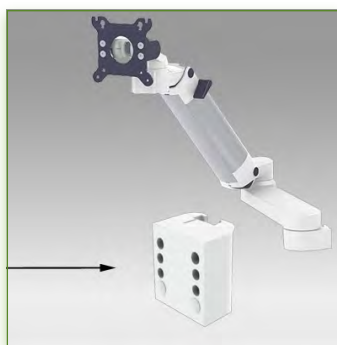
Do not hesitate to contact us if you have any questions about this product.

- Warranty: 5 years
- 000.995.113-5
- Graphite Grey and White
- On Measure
- = Depending on the elements
- 995.113-5



Anti-bacterial properties:

IT medical arms are now designed with Microban antibacterial protection, a revolutionary treatment that guarantees optimal hygiene. IT medical arms integrate Microban and other antibacterial agents into all medical products. It inhibits the growth of bacteria of all types. This is not a surface treatment. It is 100% in the totality of the product. It does not alter the physico-mechanical properties of the medical arm lift system. Simulations over 30 years show that 100% of the antibacterial properties are maintained. All medical articulated arms incorporate Microban. Microban is the world's leading provider of anti-bacterial solutions. It has been successfully applied for more than 35 years in a wide range of products used in the hospital, construction and food industries.



Display Compatibility: 26" Wide (Weight)
 Supported Weight: 3-8 Kg
 VESA standard: 75 / 100 mm

Up to 26" Wide (Weight)
 75/100 mm
 3-8 Kg
MEDICAL GRADE

Do not hesitate to contact us if you have any questions about this product.

Warranty: 5 years

000.995.540-1

Graphite Grey and White

On Measure

= Depending on the elements

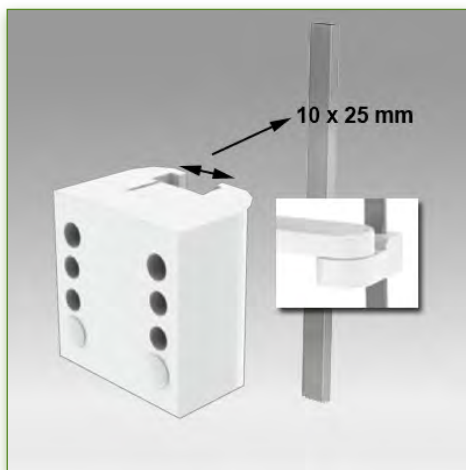
995.540-1

300 + 240 mm height adjustable medical monitor arm, Din Rail Vertical 10 x 25 mm mount

This 300 + 240 mm Horizontal Medical Arm with gas spring height adjustment allows the LCD screen to be perfectly fixed, oriented and adjusted. It is coated with an anti-microbial agent offering hygiene and cleaning down to the last detail. Its modern design has been specially designed for healthcare environments.

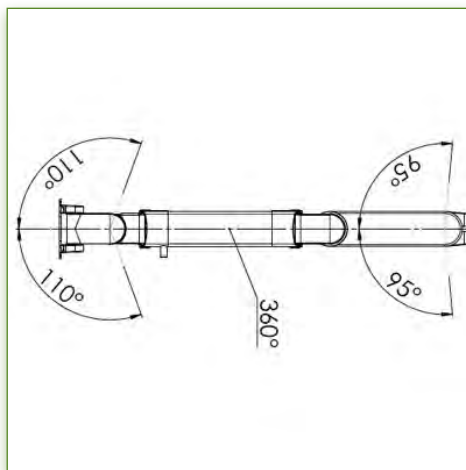
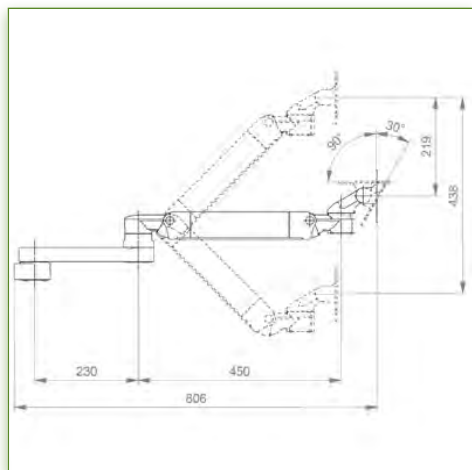
Technical specifications:

- * Integrated cable channel
 - * Equipotential bonding
 - * Mounting on Din Vertical Rail 10 x 25 mm adapter included (10 x 25 mm)
 - * This medical arm is simply attached to the Din rail fo then adjust to the vertical rail.
 - * It has a safety stop button for the height adjustment, which allows the arm to remain in the chosen position.
 - * The head of this arm complies with the screen mounting standard: VESA MIS-D 75 mm and 100 mm.
 - * Compatible with screens whose weight does not exceed 3-8 Kg.
 - * Touch screen stability. * Screen tilt: 50° down and 100° up
 - * Screen rotation: 110° right, 110° left.
 - * Arm rotation: 105° to the right, 105° to the left.
 - * Height adjustment: 45° down, 45° up * Total length 806 mm
 - * Compatible with multimedia terminals (TMM)
 - * Colour RAL 7024 (Graphite grey) and White
 - * All our medical arms are in conformity: CE, ROHS, Medical Grade, Regulations MDD 93/42 ECC.
 - * Warranty: 5 years
- Note: This arm can also be installed on one of our medical columns or trolleys.



Display Compatibility: 26" Wide (Weight)
Supported Weight: 3-8 Kg
VESA standard: 75 / 100 mm

Up to 26" Wide (Weight)
75/100 mm
3-8 Kg



Do not hesitate to contact us if you have any questions about this product.

Warranty: 5 years

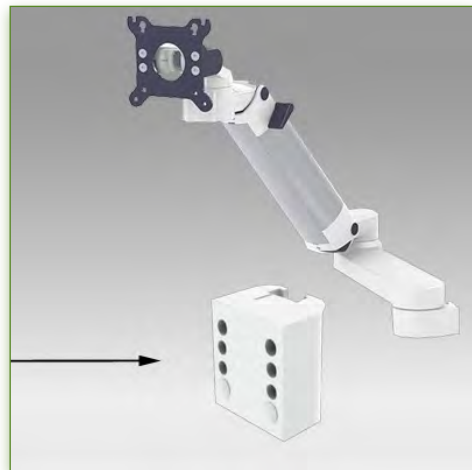
000.995.540-1

Graphite Grey and White

On Measure

= Depending on the elements

995.540-1



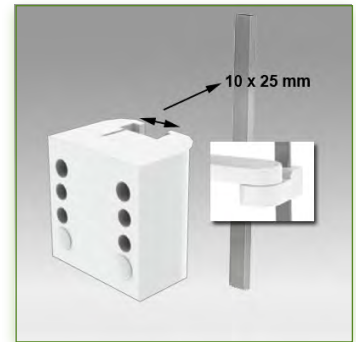
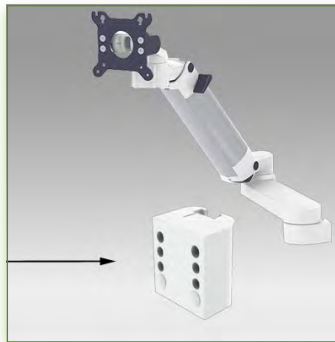
Anti-bacterial properties:

IT medical arms are now designed with Microban antibacterial protection, a revolutionary treatment that guarantees optimal hygiene. IT medical arms integrate Microban and other antibacterial agents into all medical products. It inhibits the growth of bacteria of all types. This is not a surface treatment.

It is 100% in the totality of the product.

It does not alter the physico-mechanical properties of the medical arm lift system. Simulations over 30 years show that 100% of the antibacterial properties are maintained.

All medical articulated arms incorporate Microban. Microban is the world's leading provider of anti-bacterial solutions. It has been successfully applied for more than 35 years in a wide range of products used in the hospital, construction and food industries.



Display Compatibility: 26" Wide (Weight)
 Supported Weight: 5-11 Kg
 VESA standard: 75 / 100 mm

Up to 26" Wide (Weight)
 75/100 mm
 5-11 Kg
MEDICAL GRADE

Do not hesitate to contact us if you have any questions about this product.

Warranty: 5 years

000.995.540-2

Graphite Grey and White

On Measure

= Depending on the elements

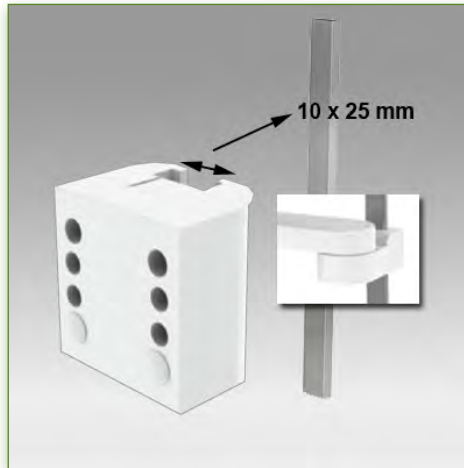
995.540-2

300 + 240 mm height adjustable medical monitor arm, Din Rail Vertical 10 x 25 mm mount

This 300 + 240 mm Horizontal Medical Arm with gas spring height adjustment allows the LCD screen to be perfectly fixed, oriented and adjusted. It is coated with an anti-microbial agent offering hygiene and cleaning down to the last detail. Its modern design has been specially designed for healthcare environments.

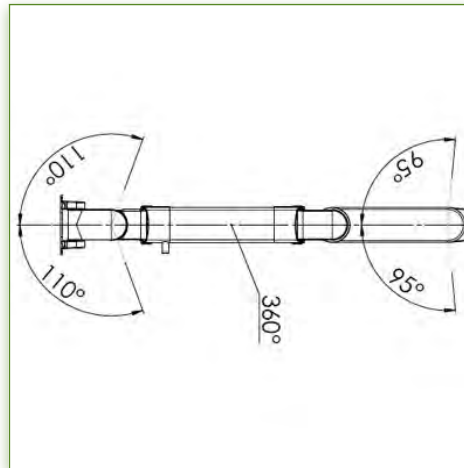
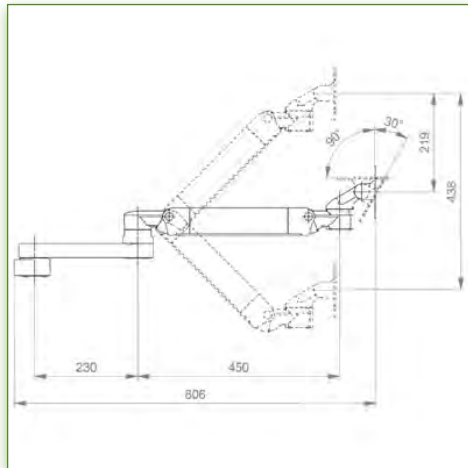
Technical specifications:

- * Integrated cable channel
 - * Equipotential bonding
 - * Mounting on Din Vertical Rail 10 x 25 mm adapter included (10 x 25 mm)
 - * This medical arm is simply attached to the Din rail fo then adjust to the vertical rail.
 - * It has a safety stop button for the height adjustment, which allows the arm to remain in the chosen position.
 - * The head of this arm complies with the screen mounting standard: VESA MIS-D 75 mm and 100 mm.
 - * Compatible with screens whose weight does not exceed 5-11 Kg.
 - * Touch screen stability. * Screen tilt: 50° down and 100° up
 - * Screen rotation: 110° right, 110° left.
 - * Arm rotation: 105° to the right, 105° to the left.
 - * Height adjustment: 45° down, 45° up * Total length 806 mm
 - * Compatible with multimedia terminals (TMM)
 - * Colour RAL 7024 (Graphite grey) and White
 - * All our medical arms are in conformity: CE, ROHS, Medical Grade, Regulations MDD 93/42 ECC.
 - * Warranty: 5 years
- Note: This arm can also be installed on one of our medical columns or trolleys.



Display Compatibility: 26" Wide (Weight)
Supported Weight: 5-11 Kg
VESA standard: 75 / 100 mm

Up to 26" Wide (Weight)
75/100 mm
5-11 Kg



Do not hesitate to contact us if you have any questions about this product.

Warranty: 5 years

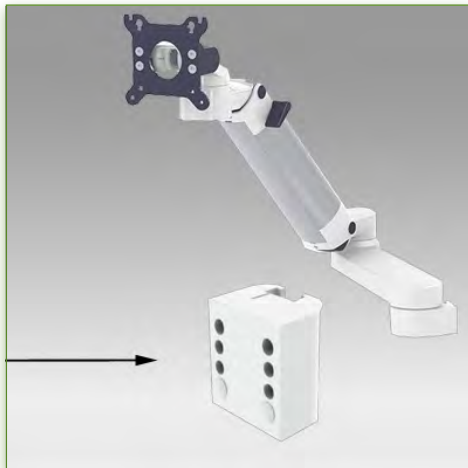
000.995.540-2

Graphite Grey and White

On Measure

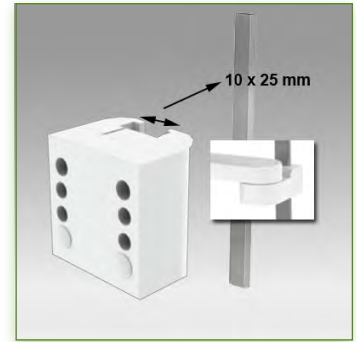
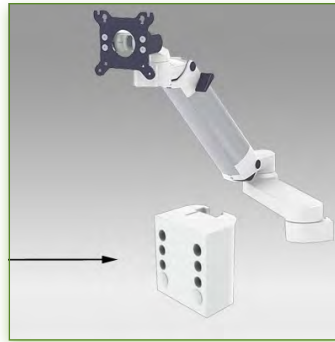
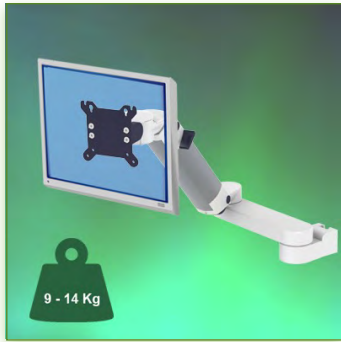
= Depending on the elements

995.540-2



Anti-bacterial properties:

IT medical arms are now designed with Microban antibacterial protection, a revolutionary treatment that guarantees optimal hygiene. IT medical arms integrate Microban and other antibacterial agents into all medical products. It inhibits the growth of bacteria of all types. This is not a surface treatment. It is 100% in the totality of the product. It does not alter the physico-mechanical properties of the medical arm lift system. Simulations over 30 years show that 100% of the antibacterial properties are maintained. All medical articulated arms incorporate Microban. Microban is the world's leading provider of anti-bacterial solutions. It has been successfully applied for more than 35 years in a wide range of products used in the hospital, construction and food industries.



Display Compatibility: 26" Wide (Weight)
 Supported Weight: 9-14 Kg
 VESA standard: 75 / 100 mm



300 + 240 mm height adjustable medical monitor arm, Din Rail Vertical 10 x 25 mm mount

This 300 + 240 mm Horizontal Medical Arm with gas spring height adjustment allows the LCD screen to be perfectly fixed, oriented and adjusted. It is coated with an anti-microbial agent offering hygiene and cleaning down to the last detail. Its modern design has been specially designed for healthcare environments.

Technical specifications:

- * Integrated cable channel
 - * Equipotential bonding
 - * Mounting on Din Vertical Rail 10 x 25 mm adapter included (10 x 25 mm)
 - * This medical arm is simply attached to the Din rail fo then adjust to the vertical rail.
 - * It has a safety stop button for the height adjustment, which allows the arm to remain in the chosen position.
 - * The head of this arm complies with the screen mounting standard: VESA MIS-D 75 mm and 100 mm.
 - * Compatible with screens whose weight does not exceed 9-14 Kg.
 - * Touch screen stability. * Screen tilt: 50° down and 100° up
 - * Screen rotation: 110° right, 110° left.
 - * Arm rotation: 105° to the right, 105° to the left.
 - * Height adjustment: 45° down, 45° up * Total length 806 mm
 - * Compatible with multimedia terminals (TMM)
 - * Colour RAL 7024 (Graphite grey) and White
 - * All our medical arms are in conformity: CE, ROHS, Medical Grade, Regulations MDD 93/42 ECC.
 - * Warranty: 5 years
- Note: This arm can also be installed on one of our medical columns or trolleys.

Do not hesitate to contact us if you have any questions about this product.

Warranty: 5 years

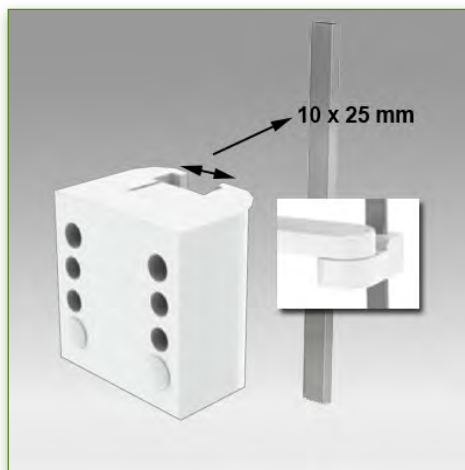
000.995.540-3

Graphite Grey and White

On Measure

= Depending on the elements

995.540-3



Display Compatibility: 26" Wide (Weight)
Supported Weight: 9-14 Kg
VESA standard: 75 / 100 mm

Up to 26" Wide (Weight)
75/100 mm
9-14 Kg

MEDICAL GRADE



Do not hesitate to contact us if you have any questions about this product.

Warranty: 5 years

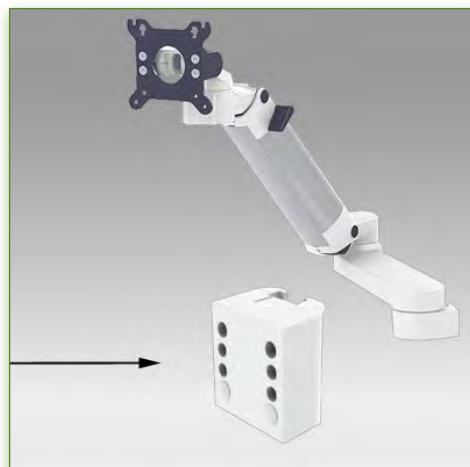
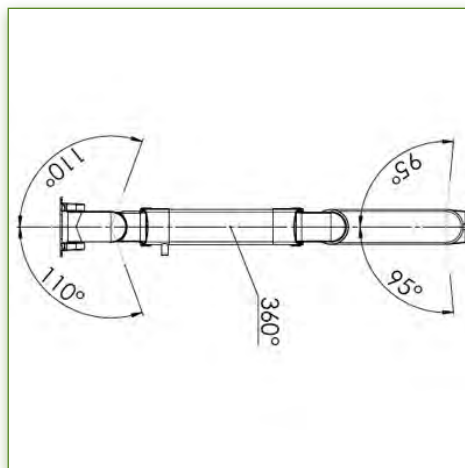
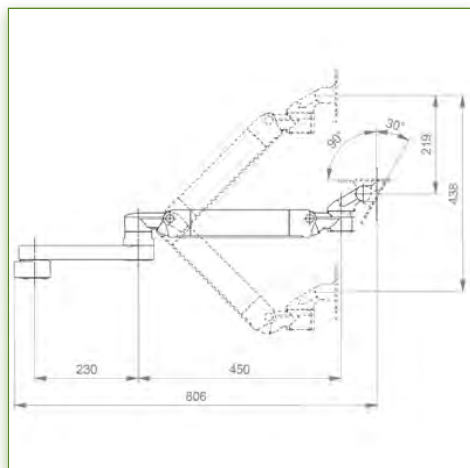
000.995.540-3

Graphite Grey and White

On Measure

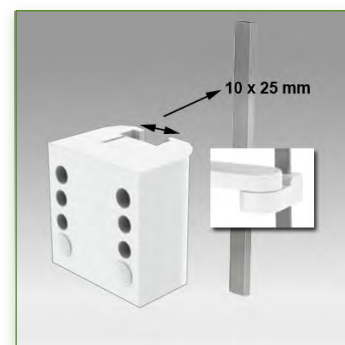
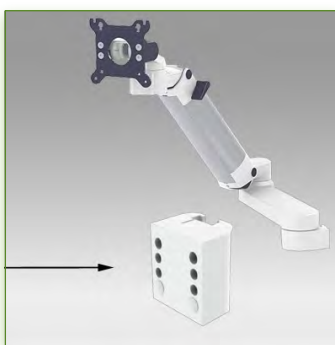
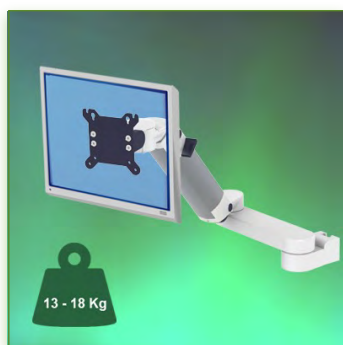
= Depending on the elements

995.540-3



Anti-bacterial properties:

IT medical arms are now designed with Microban antibacterial protection, a revolutionary treatment that guarantees optimal hygiene. IT medical arms integrate Microban and other antibacterial agents into all medical products. It inhibits the growth of bacteria of all types. This is not a surface treatment. It is 100% in the totality of the product. It does not alter the physico-mechanical properties of the medical arm lift system. Simulations over 30 years show that 100% of the antibacterial properties are maintained. All medical articulated arms incorporate Microban. Microban is the world's leading provider of anti-bacterial solutions. It has been successfully applied for more than 35 years in a wide range of products used in the hospital, construction and food industries.



300 + 240 mm height adjustable medical monitor arm, Din Rail Vertical 10 x 25 mm mount

This 300 + 240 mm Horizontal Medical Arm with gas spring height adjustment allows the LCD screen to be perfectly fixed, oriented and adjusted. It is coated with an anti-microbial agent offering hygiene and cleaning down to the last detail. Its modern design has been specially designed for healthcare environments.

Technical specifications:

- * Integrated cable channel
 - * Equipotential bonding
 - * Mounting on Din Vertical Rail 10 x 25 mm adapter included (10 x 25 mm)
 - * This medical arm is simply attached to the Din rail fo then adjust to the vertical rail.
 - * It has a safety stop button for the height adjustment, which allows the arm to remain in the chosen position.
 - * The head of this arm complies with the screen mounting standard: VESA MIS-D 75 mm and 100 mm.
 - * Compatible with screens whose weight does not exceed 13-18 Kg.
 - * Touch screen stability. * Screen tilt: 50° down and 100° up
 - * Screen rotation: 110° right, 110° left.
 - * Arm rotation: 105° to the right, 105° to the left.
 - * Height adjustment: 45° down, 45° up * Total length 806 mm
 - * Compatible with multimedia terminals (TMM)
 - * Colour RAL 7024 (Graphite grey) and White
 - * All our medical arms are in conformity: CE, ROHS, Medical Grade, Regulations MDD 93/42 ECC.
 - * Warranty: 5 years
- Note: This arm can also be installed on one of our medical columns or trolleys.

Display Compatibility: 26" Wide (Weight)
 Supported Weight: 13-18 Kg
 VESA standard: 75 / 100 mm

Up to 26" Wide (Weight)
 75/100 mm
 13-18 Kg

MEDICAL GRADE

Do not hesitate to contact us if you have any questions about this product.

Warranty: 5 years

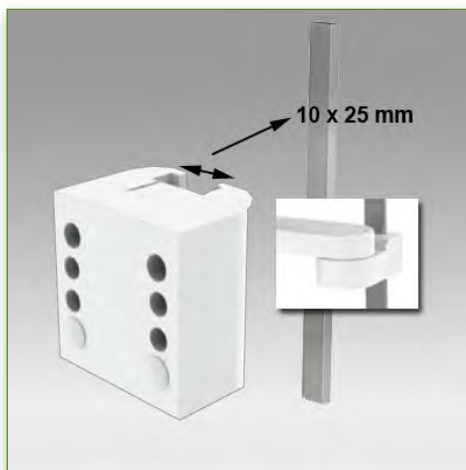
000.995.540-4

Graphite Grey and White

On Measure

= Depending on the elements

995.540-4



Display Compatibility: 26" Wide (Weight)
Supported Weight: 13-18 Kg
VESA standard: 75 / 100 mm



Up to 26" Wide (Weight)



75/100 mm



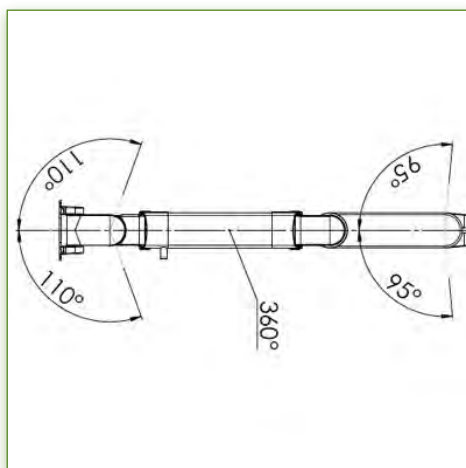
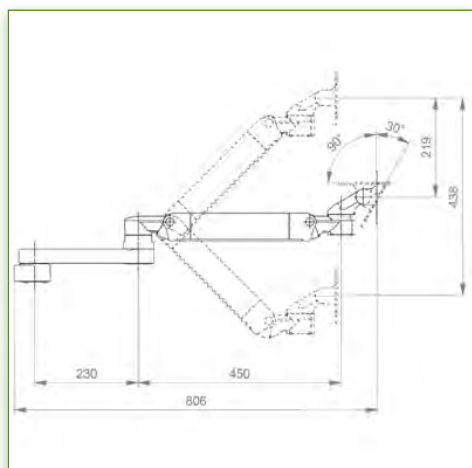
13-18 Kg



Medical Grade



Do not hesitate to contact us if you have any questions about this product.



Warranty: 5 years



000.995.540-4



Graphite Grey and White



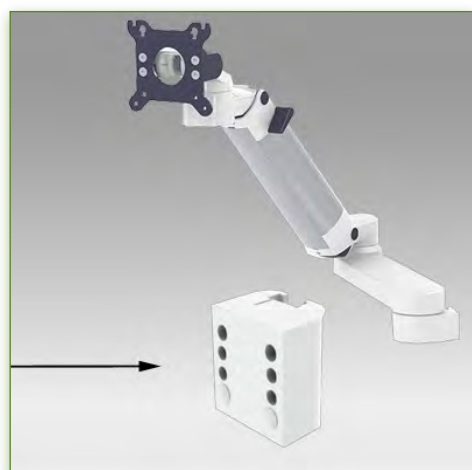
On Measure



= Depending on the elements

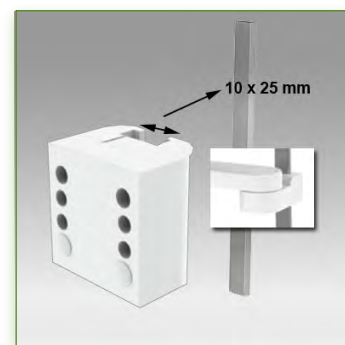
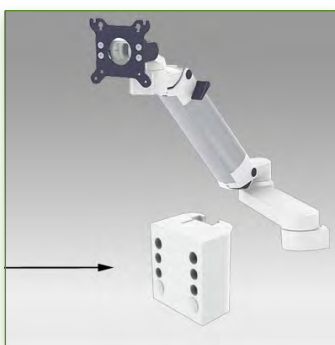
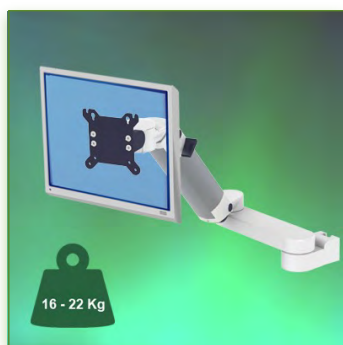


995.540-4



Anti-bacterial properties:

IT medical arms are now designed with Microban antibacterial protection, a revolutionary treatment that guarantees optimal hygiene. IT medical arms integrate Microban and other antibacterial agents into all medical products. It inhibits the growth of bacteria of all types. This is not a surface treatment. It is 100% in the totality of the product. It does not alter the physico-mechanical properties of the medical arm lift system. Simulations over 30 years show that 100% of the antibacterial properties are maintained. All medical articulated arms incorporate Microban. Microban is the world's leading provider of anti-bacterial solutions. It has been successfully applied for more than 35 years in a wide range of products used in the hospital, construction and food industries.



300 + 240 mm height adjustable medical monitor arm, Din Rail Vertical 10 x 25 mm mount

This 300 + 240 mm Horizontal Medical Arm with gas spring height adjustment allows the LCD screen to be perfectly fixed, oriented and adjusted. It is coated with an anti-microbial agent offering hygiene and cleaning down to the last detail. Its modern design has been specially designed for healthcare environments.

Technical specifications:

- * Integrated cable channel
 - * Equipotential bonding
 - * Mounting on Din Vertical Rail 10 x 25 mm adapter included (10 x 25 mm)
 - * This medical arm is simply attached to the Din rail fo then adjust to the vertical rail.
 - * It has a safety stop button for the height adjustment, which allows the arm to remain in the chosen position.
 - * The head of this arm complies with the screen mounting standard: VESA MIS-D 75 mm and 100 mm.
 - * Compatible with screens whose weight does not exceed 16-22 Kg.
 - * Touch screen stability. * Screen tilt: 50° down and 100° up
 - * Screen rotation: 110° right, 110° left.
 - * Arm rotation: 105° to the right, 105° to the left.
 - * Height adjustment: 45° down, 45° up * Total length 806 mm
 - * Compatible with multimedia terminals (TMM)
 - * Colour RAL 7024 (Graphite grey) and White
 - * All our medical arms are in conformity: CE, ROHS, Medical Grade, Regulations MDD 93/42 ECC.
 - * Warranty: 5 years
- Note: This arm can also be installed on one of our medical columns or trolleys.

Display Compatibility: 26" Wide (Weight)
 Supported Weight: 16-22 Kg
 VESA standard: 75 / 100 mm

Up to 26" Wide (Weight)
 75/100 mm
 16-22 Kg
MEDICAL GRADE

Do not hesitate to contact us if you have any questions about this product.

Warranty: 5 years

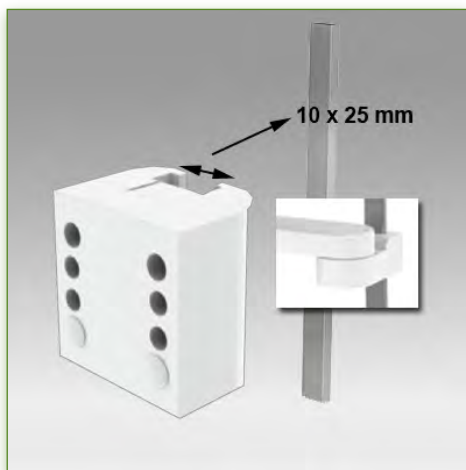
000.995.540-5

Graphite Grey and White

On Measure

= Depending on the elements

995.540-5

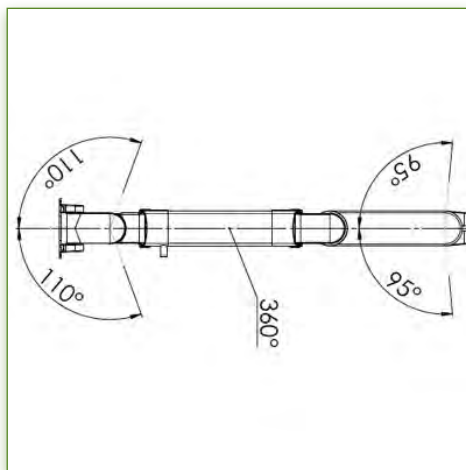
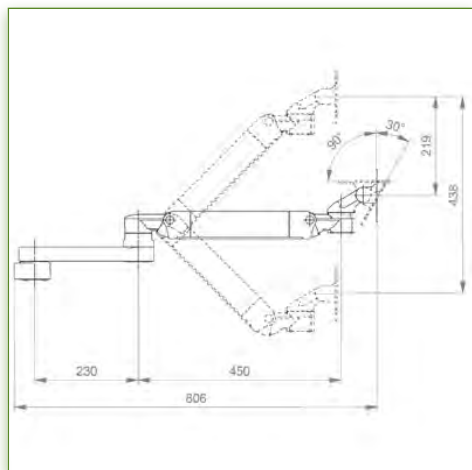


Display Compatibility: 26" Wide (Weight)
Supported Weight: 16-22 Kg
VESA standard: 75 / 100 mm

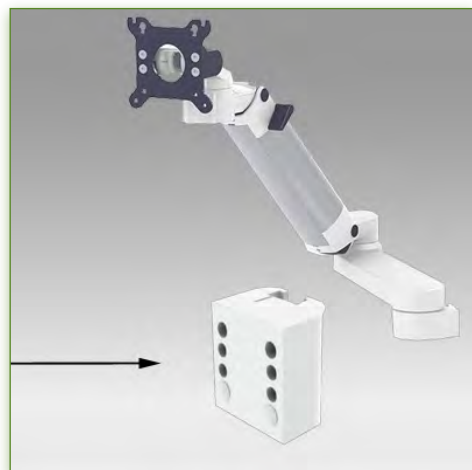
Up to 26" Wide (Weight)
75/100 mm
16-22 Kg



Do not hesitate to contact us if you have any questions about this product.

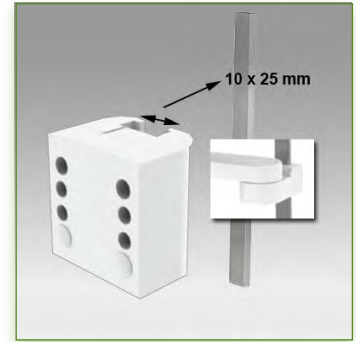
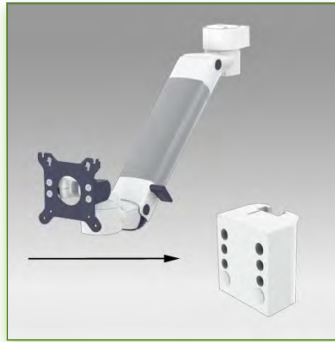
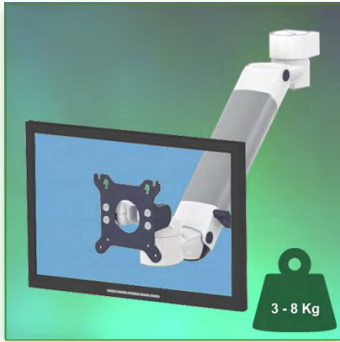


- Warranty: 5 years
- 000.995.540-5
- Graphite Grey and White
- On Measure
- = Depending on the elements
- 995.540-5



Anti-bacterial properties:

IT medical arms are now designed with Microban antibacterial protection, a revolutionary treatment that guarantees optimal hygiene. IT medical arms integrate Microban and other antibacterial agents into all medical products. It inhibits the growth of bacteria of all types. This is not a surface treatment. It is 100% in the totality of the product. It does not alter the physico-mechanical properties of the medical arm lift system. Simulations over 30 years show that 100% of the antibacterial properties are maintained. All medical articulated arms incorporate Microban. Microban is the world's leading provider of anti-bacterial solutions. It has been successfully applied for more than 35 years in a wide range of products used in the hospital, construction and food industries.



Display Compatibility: 26" Wide (Weight)
 Supported Weight: 3-8 Kg
 VESA standard: 75 / 100 mm

PH Medical Monitor Arm (High Position) height adjustable 300 mm, Din Rail Vertical 10 x 25 mm mount

This PH (High Position) Horizontal Medical Arm 300 mm with gas spring height adjustment allows the LCD screen to be perfectly fixed, oriented and adjusted. It is coated with an anti-microbial agent offering hygiene and cleaning down to the last detail. Its modern design has been specially designed for healthcare environments.

Technical specifications:

- * Integrated cable channel
- * Equipotential bonding
- * Mounting on Din Vertical Rail 10 x 25 mm adapter included (10 x 25 mm)
- * This medical arm is simply attached to the Din rail fo then adjust to the vertical rail.
- * It has a safety stop button for the height adjustment, which allows the arm to remain in the chosen position.
- * Installation specific to the high position (PH)
- * The head of this arm complies with the screen mounting standard: VESA MIS-D 75 mm and 100 mm.
- * Compatible with screens whose weight does not exceed 3-8 Kg.
- * Touch screen stability.
- * Screen tilt: 50° down and 100° up * Screen rotation: 110° right, 110° left.
- * Arm rotation: 105° to the right, 105° to the left.
- * Height adjustment: 45° down, 45° up * Total length 576 mm
- * Compatible with multimedia terminals (TMM)
- * Colour RAL 7024 (Graphite grey) and White
- * All our medical arms are in conformity: CE, ROHS, Medical Grade, Regulations MDD 93/42 ECC.
- * Warranty: 5 years

Note: This arm can also be installed on one of our medical columns or trolleys.

Up to 26" Wide (Weight)

VESA 75/100 mm

3-8 Kg



Do not hesitate to contact us if you have any questions about this product.

Warranty: 5 years

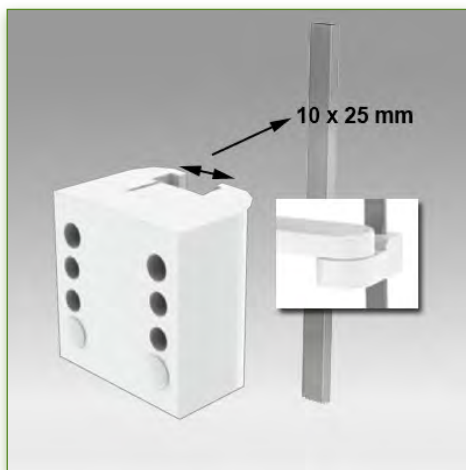
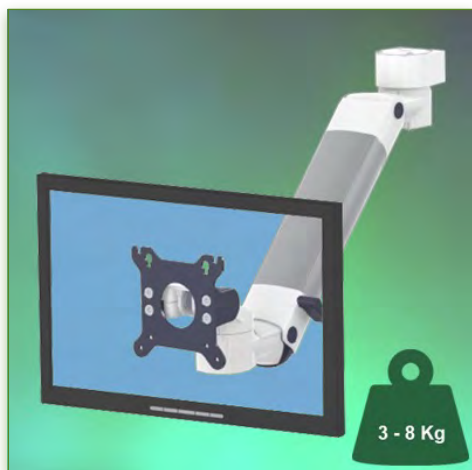
000.995.530-1

Graphite Grey and White

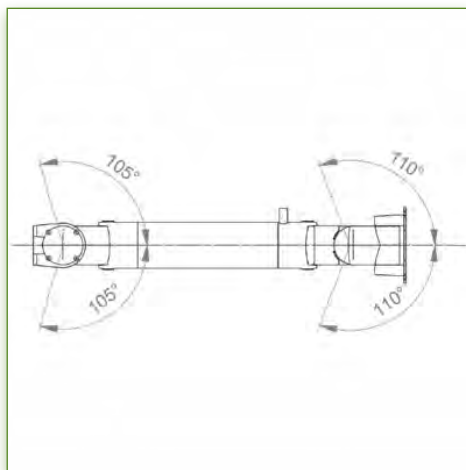
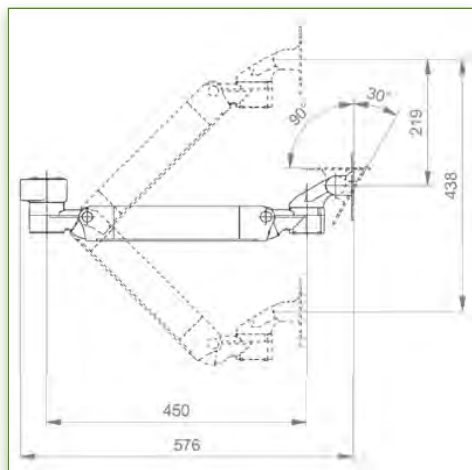
On Measure

= Depending on the elements

995.530-1



Display Compatibility: 26" Wide (Weight)
 Supported Weight: 3-8 Kg
 VESA standard: 75 / 100 mm



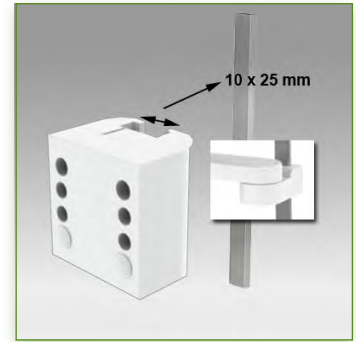
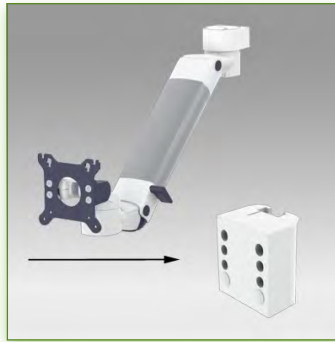
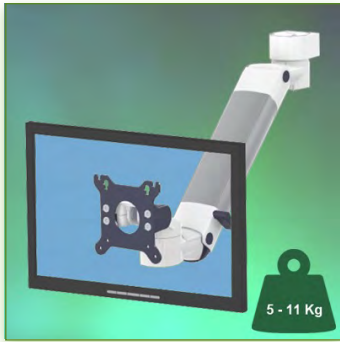
Do not hesitate to contact us if you have any questions about this product.

- Warranty: 5 years
- 000.995.530-1
- Graphite Grey and White
- On Measure
- = Depending on the elements
- 995.530-1



Anti-bacterial properties:

IT medical arms are now designed with Microban antibacterial protection, a revolutionary treatment that guarantees optimal hygiene. IT medical arms integrate Microban and other antibacterial agents into all medical products. It inhibits the growth of bacteria of all types. This is not a surface treatment. It is 100% in the totality of the product. It does not alter the physico-mechanical properties of the medical arm lift system. Simulations over 30 years show that 100% of the antibacterial properties are maintained. All medical articulated arms incorporate Microban. Microban is the world's leading provider of anti-bacterial solutions. It has been successfully applied for more than 35 years in a wide range of products used in the hospital, construction and food industries.



Display Compatibility: 26" Wide (Weight)
 Supported Weight: 5-11 Kg
 VESA standard: 75 / 100 mm

PH Medical Monitor Arm (High Position) height adjustable 300 mm, Din Rail Vertical 10 x 25 mm mount

This PH (High Position) Horizontal Medical Arm 300 mm with gas spring height adjustment allows the LCD screen to be perfectly fixed, oriented and adjusted. It is coated with an anti-microbial agent offering hygiene and cleaning down to the last detail. Its modern design has been specially designed for healthcare environments.

Technical specifications:

- * Integrated cable channel
- * Equipotential bonding
- * Mounting on Din Vertical Rail 10 x 25 mm adapter included (10 x 25 mm)
- * This medical arm is simply attached to the Din rail fo then adjust to the vertical rail.
- * It has a safety stop button for the height adjustment, which allows the arm to remain in the chosen position.
- * Installation specific to the high position (PH)
- * The head of this arm complies with the screen mounting standard: VESA MIS-D 75 mm and 100 mm.
- * Compatible with screens whose weight does not exceed 5-11 Kg.
- * Touch screen stability.
- * Screen tilt: 50° down and 100° up * Screen rotation: 110° right, 110° left.
- * Arm rotation: 105° to the right, 105° to the left.
- * Height adjustment: 45° down, 45° up * Total length 576 mm
- * Compatible with multimedia terminals (TMM)
- * Colour RAL 7024 (Graphite grey) and White
- * All our medical arms are in conformity: CE, ROHS, Medical Grade, Regulations MDD 93/42 ECC.
- * Warranty: 5 years

Note: This arm can also be installed on one of our medical columns or trolleys.

Up to 26" Wide (Weight)
 75/100 mm
 5-11 Kg
MEDICAL GRADE

Do not hesitate to contact us if you have any questions about this product.

Warranty: 5 years

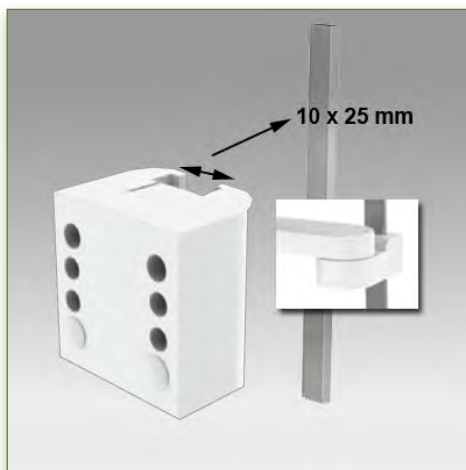
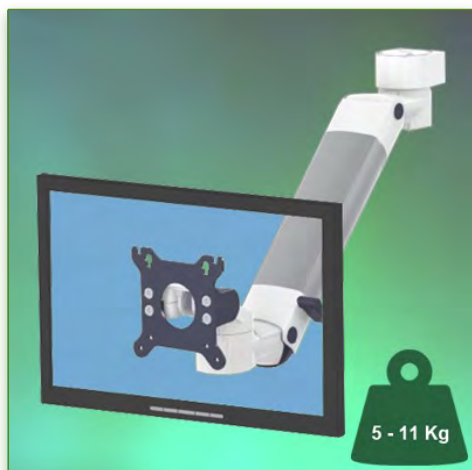
000.995.530-2

Graphite Grey and White

On Measure

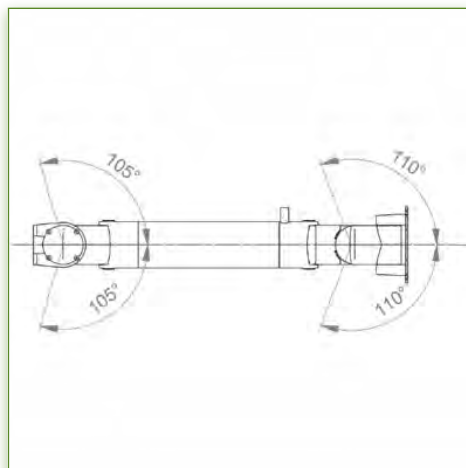
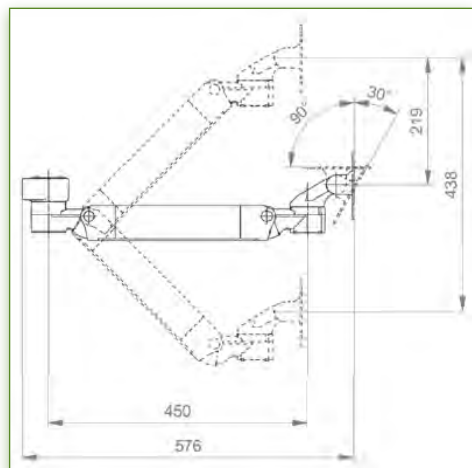
= Depending on the elements

995.530-2



Display Compatibility: 26" Wide (Weight)
 Supported Weight: 5-11 Kg
 VESA standard: 75 / 100 mm

Up to 26" Wide (Weight)
 75/100 mm
 5-11 Kg



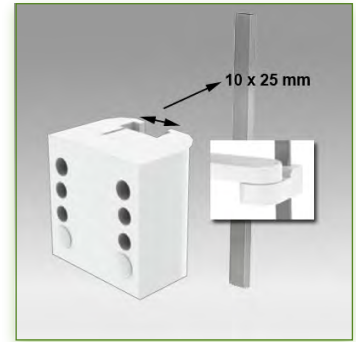
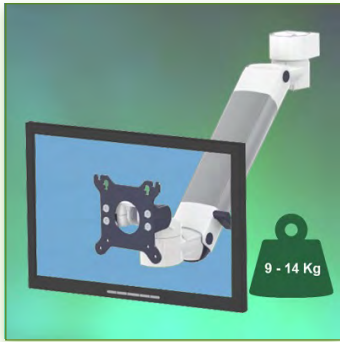
Do not hesitate to contact us if you have any questions about this product.

- Warranty: 5 years
- 000.995.530-2
- Graphite Grey and White
- On Measure
- = Depending on the elements
- 995.530-2



Anti-bacterial properties:

IT medical arms are now designed with Microban antibacterial protection, a revolutionary treatment that guarantees optimal hygiene. IT medical arms integrate Microban and other antibacterial agents into all medical products. It inhibits the growth of bacteria of all types. This is not a surface treatment. It is 100% in the totality of the product. It does not alter the physico-mechanical properties of the medical arm lift system. Simulations over 30 years show that 100% of the antibacterial properties are maintained. All medical articulated arms incorporate Microban. Microban is the world's leading provider of anti-bacterial solutions. It has been successfully applied for more than 35 years in a wide range of products used in the hospital, construction and food industries.



PH Medical Monitor Arm (High Position) height adjustable 300 mm, Din Rail Vertical 10 x 25 mm mount

This PH (High Position) Horizontal Medical Arm 300 mm with gas spring height adjustment allows the LCD screen to be perfectly fixed, oriented and adjusted. It is coated with an anti-microbial agent offering hygiene and cleaning down to the last detail. Its modern design has been specially designed for healthcare environments.

Technical specifications:

- * Integrated cable channel
- * Equipotential bonding
- * Mounting on Din Vertical Rail 10 x 25 mm adapter included (10 x 25 mm)
- * This medical arm is simply attached to the Din rail fo then adjust to the vertical rail.
- * It has a safety stop button for the height adjustment, which allows the arm to remain in the chosen position.
- * Installation specific to the high position (PH)
- * The head of this arm complies with the screen mounting standard: VESA MIS-D 75 mm and 100 mm.
- * Compatible with screens whose weight does not exceed 9-14 Kg.
- * Touch screen stability.
- * Screen tilt: 50° down and 100° up * Screen rotation: 110° right, 110° left.
- * Arm rotation: 105° to the right, 105° to the left.
- * Height adjustment: 45° down, 45° up * Total length 576 mm
- * Compatible with multimedia terminals (TMM)
- * Colour RAL 7024 (Graphite grey) and White
- * All our medical arms are in conformity: CE, ROHS, Medical Grade, Regulations MDD 93/42 ECC.
- * Warranty: 5 years

Note: This arm can also be installed on one of our medical columns or trolleys.

Display Compatibility: 26" Wide (Weight)
 Supported Weight: 9-14 Kg
 VESA standard: 75 / 100 mm

Up to 26" Wide (Weight)
 75/100 mm
 9-14 Kg
MEDICAL GRADE

Do not hesitate to contact us if you have any questions about this product.

Warranty: 5 years

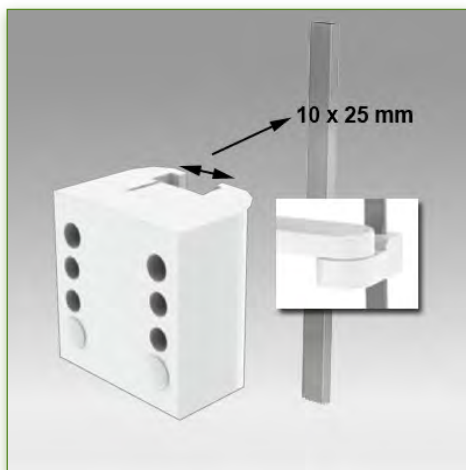
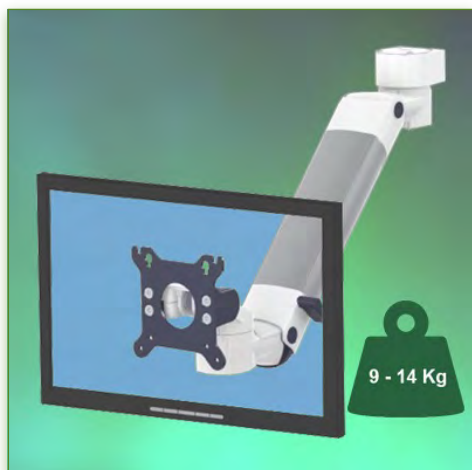
000.995.530-3

Graphite Grey and White

On Measure

= Depending on the elements

995.530-3



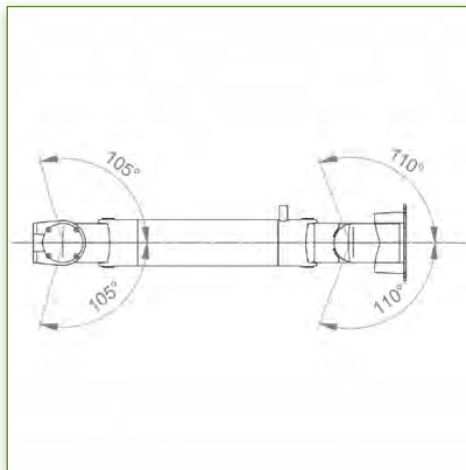
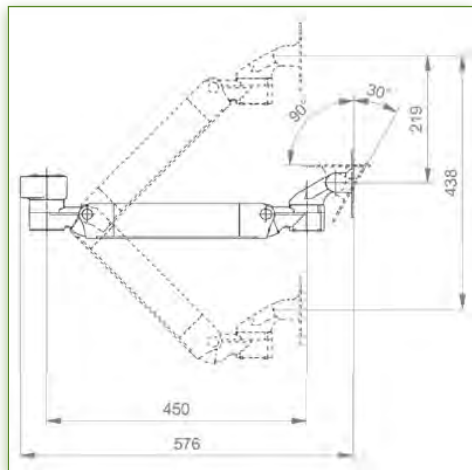
Display Compatibility: 26" Wide (Weight)
 Supported Weight: 9-14 Kg
 VESA standard: 75 / 100 mm

Up to 26" Wide (Weight)
 75/100 mm
 9-14 Kg

MEDICAL GRADE



Do not hesitate to contact us if you have any questions about this product.

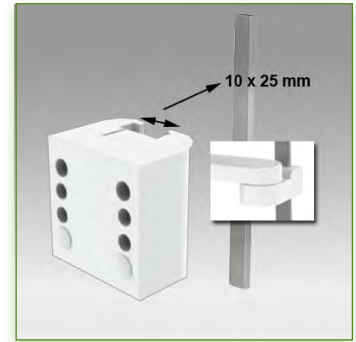
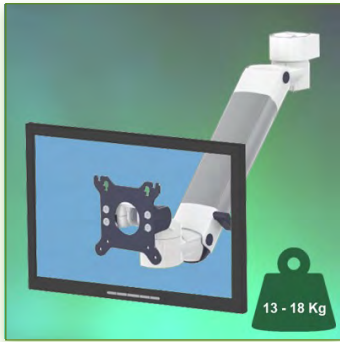


- ★ Warranty: 5 years
- 📄 000.995.530-3
- 🔒 Graphite Grey and White
- 📏 On Measure
- 🏋️ = Depending on the elements
- 📄 995.530-3



Anti-bacterial properties:

IT medical arms are now designed with Microban antibacterial protection, a revolutionary treatment that guarantees optimal hygiene. IT medical arms integrate Microban and other antibacterial agents into all medical products. It inhibits the growth of bacteria of all types. This is not a surface treatment. It is 100% in the totality of the product. It does not alter the physico-mechanical properties of the medical arm lift system. Simulations over 30 years show that 100% of the antibacterial properties are maintained. All medical articulated arms incorporate Microban. Microban is the world's leading provider of anti-bacterial solutions. It has been successfully applied for more than 35 years in a wide range of products used in the hospital, construction and food industries.



Display Compatibility: 26" Wide (Weight)
 Supported Weight: 13-18 Kg
 VESA standard: 75 / 100 mm

Up to 26" Wide (Weight)
 75/100 mm
 13-18 Kg
MEDICAL GRADE

PH Medical Monitor Arm (High Position) height adjustable 300 mm, Din Rail Vertical 10 x 25 mm mount

This PH (High Position) Horizontal Medical Arm 300 mm with gas spring height adjustment allows the LCD screen to be perfectly fixed, oriented and adjusted. It is coated with an anti-microbial agent offering hygiene and cleaning down to the last detail. Its modern design has been specially designed for healthcare environments.

Technical specifications:

- * Integrated cable channel
- * Equipotential bonding
- * Mounting on Din Vertical Rail 10 x 25 mm adapter included (10 x 25 mm)
- * This medical arm is simply attached to the Din rail fo then adjust to the vertical rail.
- * It has a safety stop button for the height adjustment, which allows the arm to remain in the chosen position.
- * Installation specific to the high position (PH)
- * The head of this arm complies with the screen mounting standard: VESA MIS-D 75 mm and 100 mm.
- * Compatible with screens whose weight does not exceed 13-18 Kg.
- * Touch screen stability.
- * Screen tilt: 50° down and 100° up * Screen rotation: 110° right, 110° left.
- * Arm rotation: 105° to the right, 105° to the left.
- * Height adjustment: 45° down, 45° up * Total length 576 mm
- * Compatible with multimedia terminals (TMM)
- * Colour RAL 7024 (Graphite grey) and White
- * All our medical arms are in conformity: CE, ROHS, Medical Grade, Regulations MDD 93/42 ECC.
- * Warranty: 5 years

Note: This arm can also be installed on one of our medical columns or trolleys.

Do not hesitate to contact us if you have any questions about this product.

Warranty: 5 years

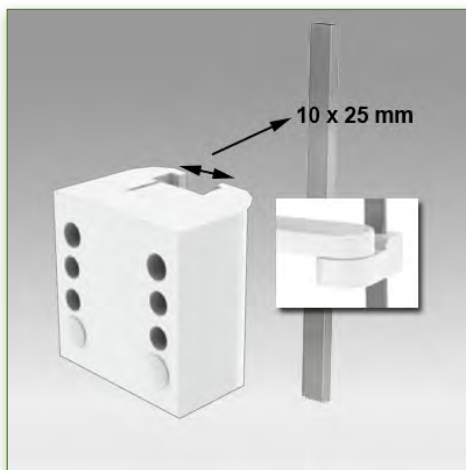
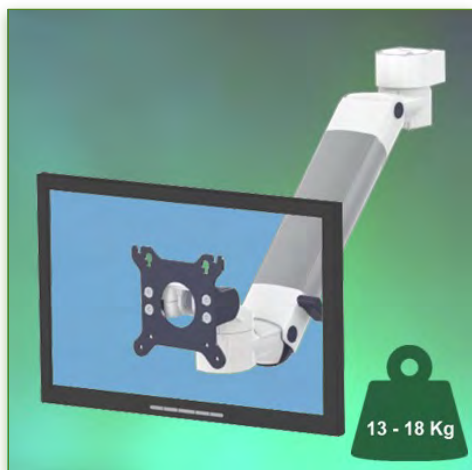
000.995.530-4

Graphite Grey and White

On Measure

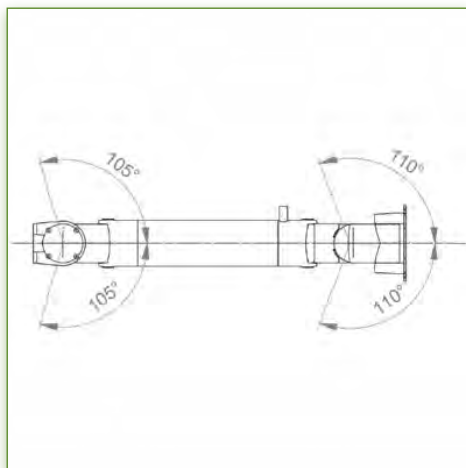
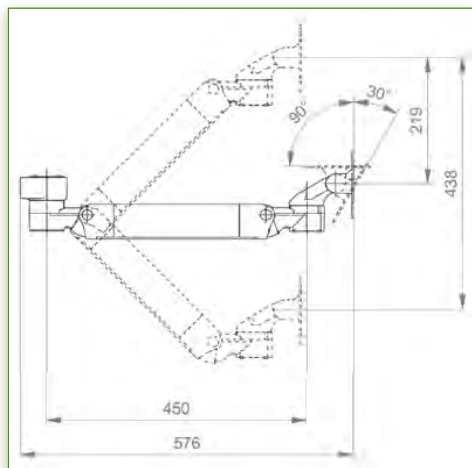
= Depending on the elements

995.530-4



Display Compatibility: 26" Wide (Weight)
 Supported Weight: 13-18 Kg
 VESA standard: 75 / 100 mm

Up to 26" Wide (Weight)
 75/100 mm
 13-18 Kg



Do not hesitate to contact us if you have any questions about this product.

Warranty: 5 years

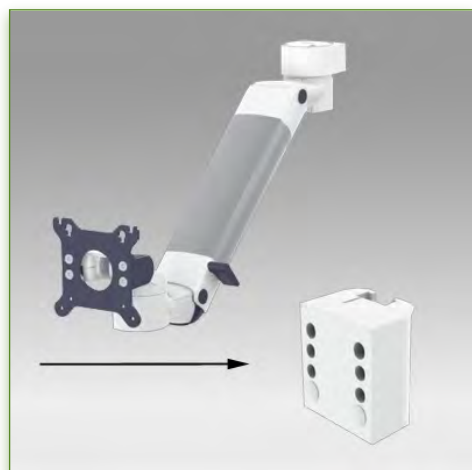
000.995.530-4

Graphite Grey and White

On Measure

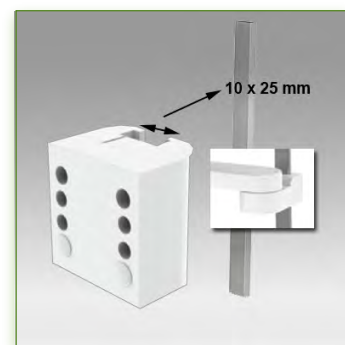
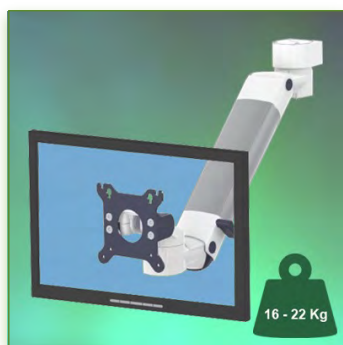
= Depending on the elements

995.530-4



Anti-bacterial properties:

IT medical arms are now designed with Microban antibacterial protection, a revolutionary treatment that guarantees optimal hygiene. IT medical arms integrate Microban and other antibacterial agents into all medical products. It inhibits the growth of bacteria of all types. This is not a surface treatment. It is 100% in the totality of the product. It does not alter the physico-mechanical properties of the medical arm lift system. Simulations over 30 years show that 100% of the antibacterial properties are maintained. All medical articulated arms incorporate Microban. Microban is the world's leading provider of anti-bacterial solutions. It has been successfully applied for more than 35 years in a wide range of products used in the hospital, construction and food industries.



Display Compatibility: 26" Wide (Weight)
 Supported Weight: 16-22 Kg
 VESA standard: 75 / 100 mm

Up to 26" Wide (Weight)
 75/100 mm
 16-22 Kg
MEDICAL GRADE

Do not hesitate to contact us if you have any questions about this product.

Warranty: 5 years

000.995.530-5

Graphite Grey and White

On Measure

= Depending on the elements

995.530-5

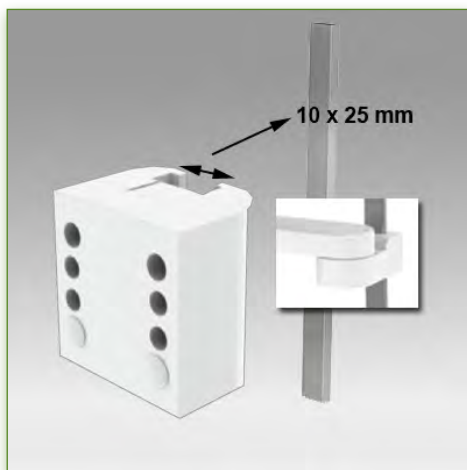
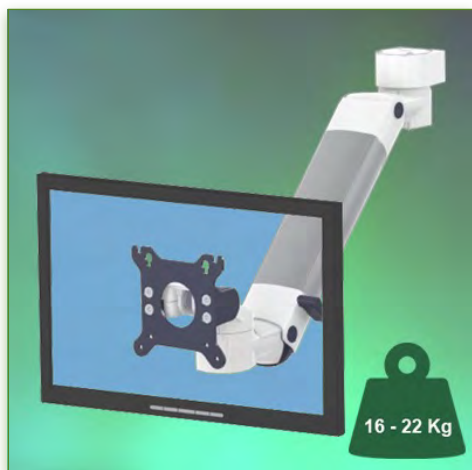
PH Medical Monitor Arm (High Position) height adjustable 300 mm, Din Rail Vertical 10 x 25 mm mount

This PH (High Position) Horizontal Medical Arm 300 mm with gas spring height adjustment allows the LCD screen to be perfectly fixed, oriented and adjusted. It is coated with an anti-microbial agent offering hygiene and cleaning down to the last detail. Its modern design has been specially designed for healthcare environments.

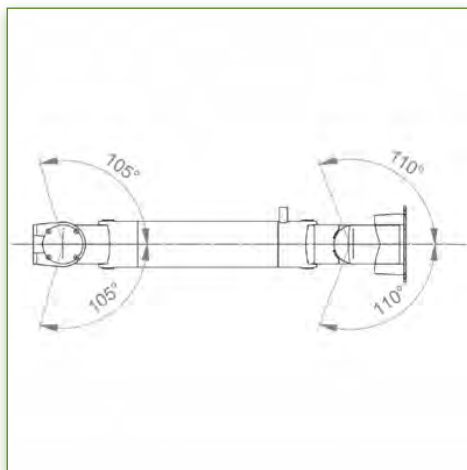
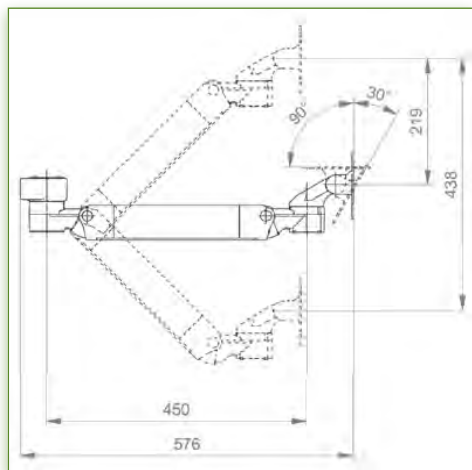
Technical specifications:

- * Integrated cable channel
- * Equipotential bonding
- * Mounting on Din Vertical Rail 10 x 25 mm adapter included (10 x 25 mm)
- * This medical arm is simply attached to the Din rail fo then adjust to the vertical rail.
- * It has a safety stop button for the height adjustment, which allows the arm to remain in the chosen position.
- * Installation specific to the high position (PH)
- * The head of this arm complies with the screen mounting standard: VESA MIS-D 75 mm and 100 mm.
- * Compatible with screens whose weight does not exceed 16-22 Kg.
- * Touch screen stability.
- * Screen tilt: 50° down and 100° up * Screen rotation: 110° right, 110° left.
- * Arm rotation: 105° to the right, 105° to the left.
- * Height adjustment: 45° down, 45° up * Total length 576 mm
- * Compatible with multimedia terminals (TMM)
- * Colour RAL 7024 (Graphite grey) and White
- * All our medical arms are in conformity: CE, ROHS, Medical Grade, Regulations MDD 93/42 ECC.
- * Warranty: 5 years

Note: This arm can also be installed on one of our medical columns or trolleys.



Display Compatibility: 26" Wide (Weight)
 Supported Weight: 16-22 Kg
 VESA standard: 75 / 100 mm



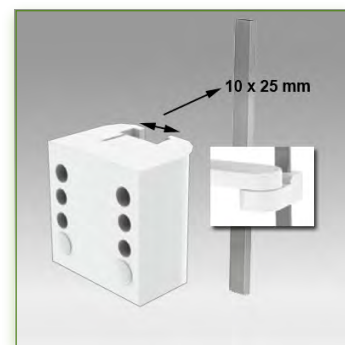
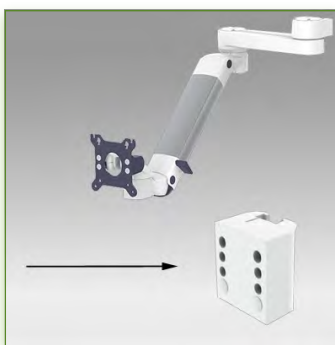
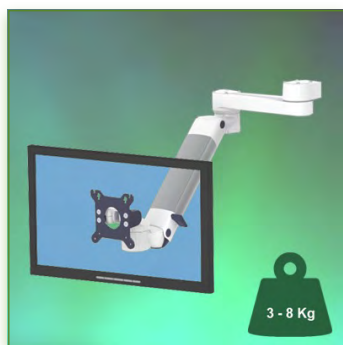
Do not hesitate to contact us if you have any questions about this product.

- Warranty: 5 years
- 000.995.530-5
- Graphite Grey and White
- On Measure
- = Depending on the elements
- 995.530-5



Anti-bacterial properties:

IT medical arms are now designed with Microban antibacterial protection, a revolutionary treatment that guarantees optimal hygiene. IT medical arms integrate Microban and other antibacterial agents into all medical products. It inhibits the growth of bacteria of all types. This is not a surface treatment. It is 100% in the totality of the product. It does not alter the physico-mechanical properties of the medical arm lift system. Simulations over 30 years show that 100% of the antibacterial properties are maintained. All medical articulated arms incorporate Microban. Microban is the world's leading provider of anti-bacterial solutions. It has been successfully applied for more than 35 years in a wide range of products used in the hospital, construction and food industries.



Display Compatibility: 26" Wide (Weight)
 Supported Weight: 3-8 Kg
 VESA standard: 75 / 100 mm

PH Medical Monitor Arm (High Position) height adjustable 300 + 240 mm, Din Rail Vertical 10 x 25 mm mount

This PH (High Position) Horizontal Medical Arm 300 + 240 mm with gas spring height adjustment allows the LCD screen to be perfectly fixed, oriented and adjusted. It is coated with an anti-microbial agent offering hygiene and cleaning down to the last detail. Its modern design has been specially designed for healthcare environments.

Technical specifications:

- * Integrated cable channel
- * Equipotential bonding
- * Mounting on Din Vertical Rail 10 x 25 mm adapter included (10 x 25 mm)
- * This medical arm is simply attached to the Din rail fo then adjust to the vertical rail.
- * It has a safety stop button for height adjustment, which allows the arm to remain in the chosen position.
- * Installation specific to the high position (PH)
- * The head of this arm complies with the screen mounting standard: VESA MIS-D 75 mm and 100 mm.
- * Compatible with screens whose weight does not exceed 3-8 Kg.
- * Touch screen stability. * Screen tilt: 50° down and 100° up
- * Screen rotation: 110° right, 110° left.
- * Arm rotation: 105° to the right, 105° to the left.
- * Height adjustment: 45° down, 45° up * Total length 806 mm
- * Compatible with multimedia terminals (TMM)
- * Colour RAL 7024 (Graphite grey) and White
- * All our medical arms are in conformity: CE, ROHS, Medical Grade, Regulations MDD 93/42 ECC.
- * Warranty: 5 years

Note: This arm can also be installed on one of our medical columns or trolleys.

Up to 26" Wide (Weight)
 75/100 mm
 3-8 Kg
MEDICAL GRADE

Do not hesitate to contact us if you have any questions about this product.

Warranty: 5 years

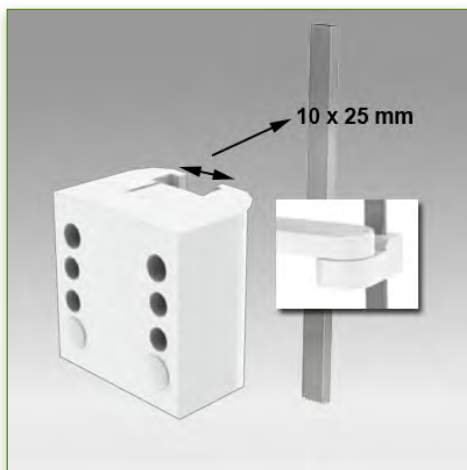
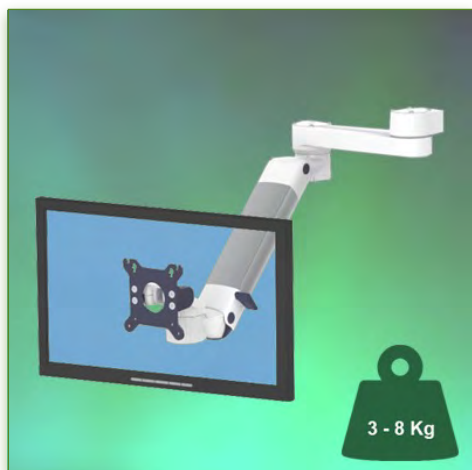
000.995.114-1

Graphite Grey and White

On Measure

= Depending on the elements

995.114-1

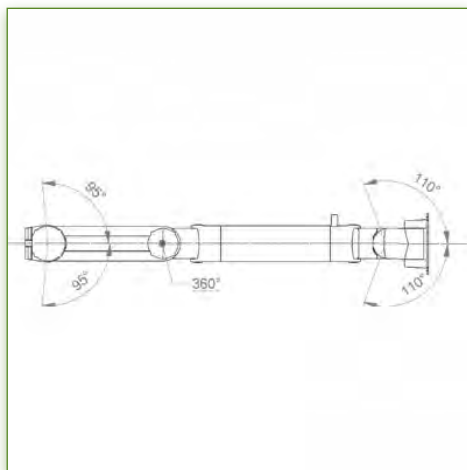
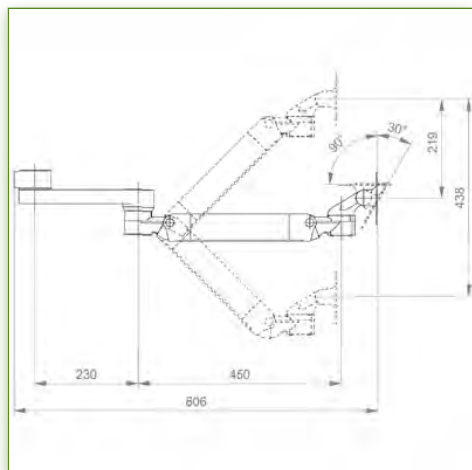


Display Compatibility: 26" Wide (Weight)
 Supported Weight: 3-8 Kg
 VESA standard: 75 / 100 mm

Up to 26" Wide (Weight)
 75/100 mm
 3-8 Kg



Do not hesitate to contact us if you have any questions about this product.

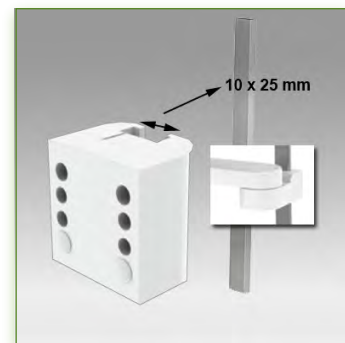
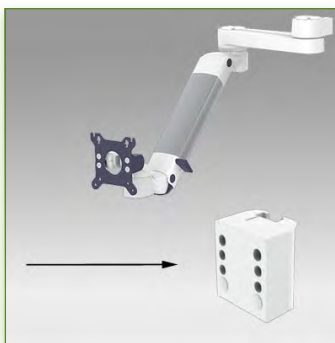
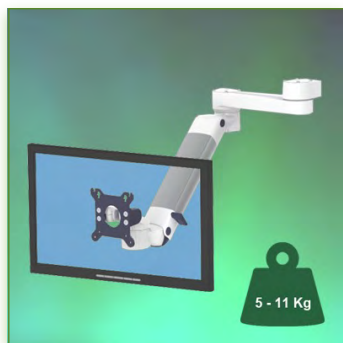


- Warranty: 5 years**
- 000.995.114-1
- Graphite Grey and White
- On Measure
- = Depending on the elements
- 995.114-1



Anti-bacterial properties:

IT medical arms are now designed with Microban antibacterial protection, a revolutionary treatment that guarantees optimal hygiene. IT medical arms integrate Microban and other antibacterial agents into all medical products. It inhibits the growth of bacteria of all types. This is not a surface treatment. It is 100% in the totality of the product. It does not alter the physico-mechanical properties of the medical arm lift system. Simulations over 30 years show that 100% of the antibacterial properties are maintained. All medical articulated arms incorporate Microban. Microban is the world's leading provider of anti-bacterial solutions. It has been successfully applied for more than 35 years in a wide range of products used in the hospital, construction and food industries.



PH Medical Monitor Arm (High Position) height adjustable 300 + 240 mm, Din Rail Vertical 10 x 25 mm mount

This PH (High Position) Horizontal Medical Arm 300 + 240 mm with gas spring height adjustment allows the LCD screen to be perfectly fixed, oriented and adjusted. It is coated with an anti-microbial agent offering hygiene and cleaning down to the last detail. Its modern design has been specially designed for healthcare environments.

Technical specifications:

- * Integrated cable channel
- * Equipotential bonding
- * Mounting on Din Vertical Rail 10 x 25 mm adapter included (10 x 25 mm)
- * This medical arm is simply attached to the Din rail fo then adjust to the vertical rail.
- * It has a safety stop button for height adjustment, which allows the arm to remain in the chosen position.
- * Installation specific to the high position (PH)
- * The head of this arm complies with the screen mounting standard: VESA MIS-D 75 mm and 100 mm.
- * Compatible with screens whose weight does not exceed 5-11 Kg.
- * Touch screen stability. * Screen tilt: 50° down and 100° up
- * Screen rotation: 110° right, 110° left.
- * Arm rotation: 105° to the right, 105° to the left.
- * Height adjustment: 45° down, 45° up * Total length 806 mm
- * Compatible with multimedia terminals (TMM)
- * Colour RAL 7024 (Graphite grey) and White
- * All our medical arms are in conformity: CE, ROHS, Medical Grade, Regulations MDD 93/42 ECC.
- * Warranty: 5 years

Note: This arm can also be installed on one of our medical columns or trolleys.

Display Compatibility: 26" Wide (Weight)
 Supported Weight: 5-11 Kg
 VESA standard: 75 / 100 mm

Up to 26" Wide (Weight)
 75/100 mm
 5-11 Kg
MEDICAL GRADE

Do not hesitate to contact us if you have any questions about this product.

Warranty: 5 years

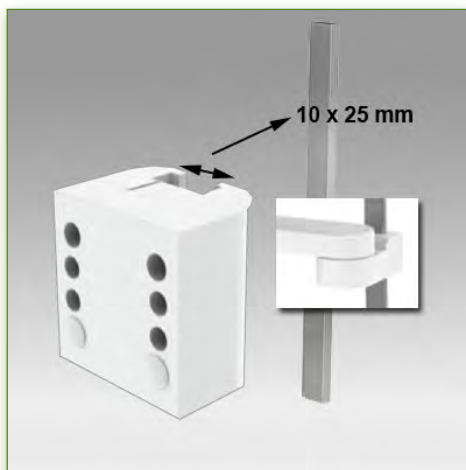
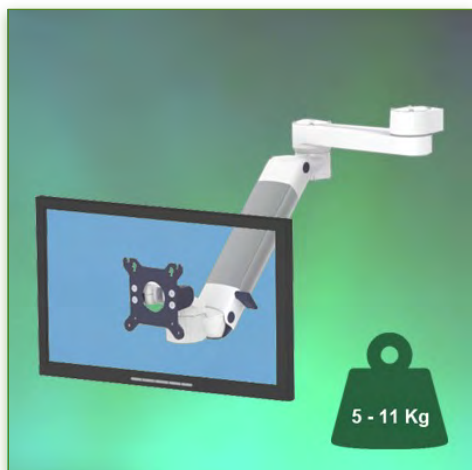
000.995.114-2

Graphite Grey and White

On Measure

= Depending on the elements

995.114-2



Display Compatibility: 26" Wide (Weight)
 Supported Weight: 5-11 Kg
 VESA standard: 75 / 100 mm



Up to 26" Wide (Weight)



75/100 mm



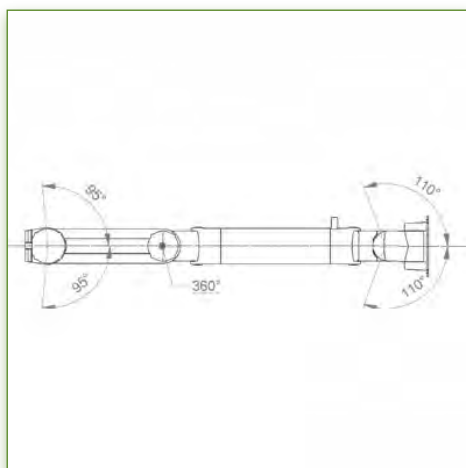
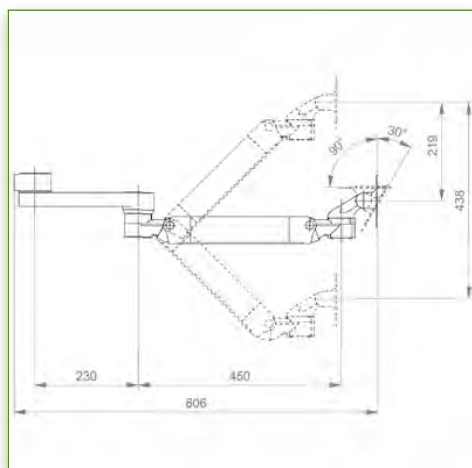
5-11 Kg



Medical Grade



Do not hesitate to contact us if you have any questions about this product.



Warranty: 5 years



000.995.114-2



Graphite Grey and White



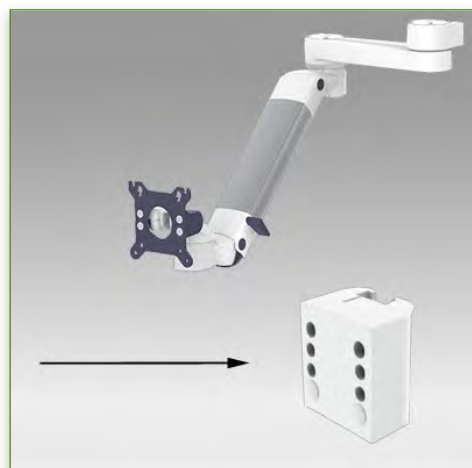
On Measure



= Depending on the elements



995.114-2

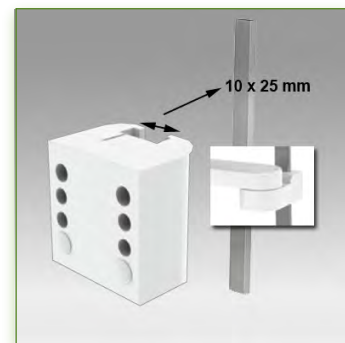
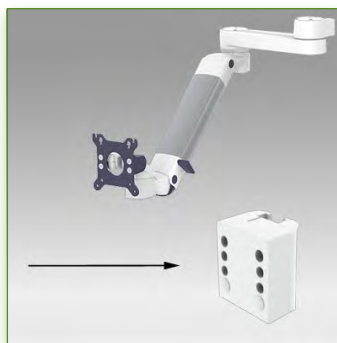
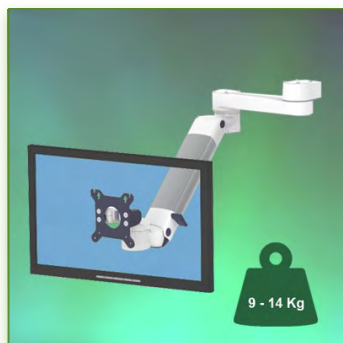


Anti-bacterial properties:

IT medical arms are now designed with Microban antibacterial protection, a revolutionary treatment that guarantees optimal hygiene. IT medical arms integrate Microban and other antibacterial agents into all medical products. It inhibits the growth of bacteria of all types. This is not a surface treatment.

It is 100% in the totality of the product. It does not alter the physico-mechanical properties of the medical arm lift system. Simulations over 30 years show that 100% of the antibacterial properties are maintained.

All medical articulated arms incorporate Microban. Microban is the world's leading provider of anti-bacterial solutions. It has been successfully applied for more than 35 years in a wide range of products used in the hospital, construction and food industries.



Display Compatibility: 26" Wide (Weight)
 Supported Weight: 9-14 Kg
 VESA standard: 75 / 100 mm



Do not hesitate to contact us if you have any questions about this product.

Warranty: 5 years

000.995.114-3

Graphite Grey and White

On Measure

= Depending on the elements

995.114-3

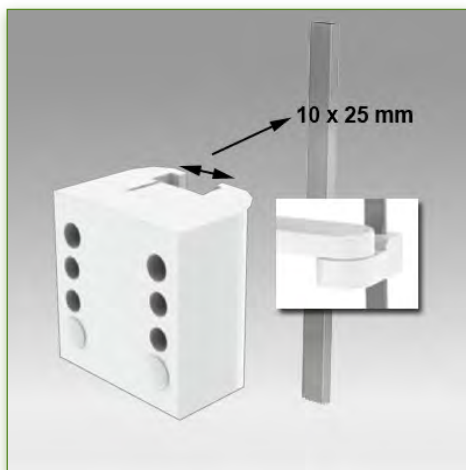
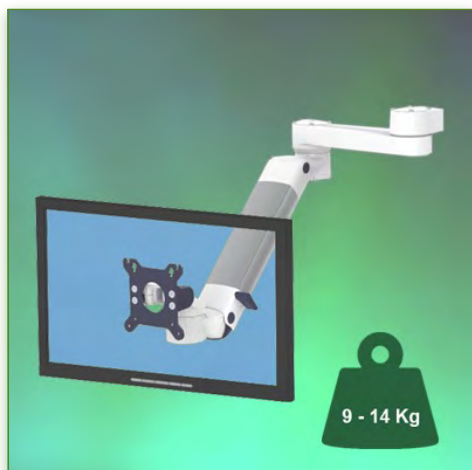
PH Medical Monitor Arm (High Position) height adjustable 300 + 240 mm, Din Rail Vertical 10 x 25 mm mount

This PH (High Position) Horizontal Medical Arm 300 + 240 mm with gas spring height adjustment allows the LCD screen to be perfectly fixed, oriented and adjusted. It is coated with an anti-microbial agent offering hygiene and cleaning down to the last detail. Its modern design has been specially designed for healthcare environments.

Technical specifications:

- * Integrated cable channel
- * Equipotential bonding
- * Mounting on Din Vertical Rail 10 x 25 mm adapter included (10 x 25 mm)
- * This medical arm is simply attached to the Din rail fo then adjust to the vertical rail.
- * It has a safety stop button for height adjustment, which allows the arm to remain in the chosen position.
- * Installation specific to the high position (PH)
- * The head of this arm complies with the screen mounting standard: VESA MIS-D 75 mm and 100 mm.
- * Compatible with screens whose weight does not exceed 9-14 Kg.
- * Touch screen stability. * Screen tilt: 50° down and 100° up
- * Screen rotation: 110° right, 110° left.
- * Arm rotation: 105° to the right, 105° to the left.
- * Height adjustment: 45° down, 45° up * Total length 806 mm
- * Compatible with multimedia terminals (TMM)
- * Colour RAL 7024 (Graphite grey) and White
- * All our medical arms are in conformity: CE, ROHS, Medical Grade, Regulations MDD 93/42 ECC.
- * Warranty: 5 years

Note: This arm can also be installed on one of our medical columns or trolleys.

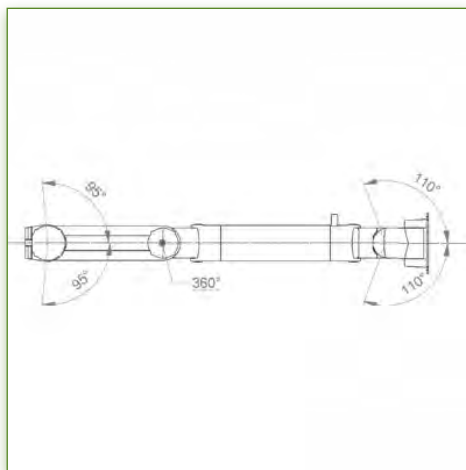
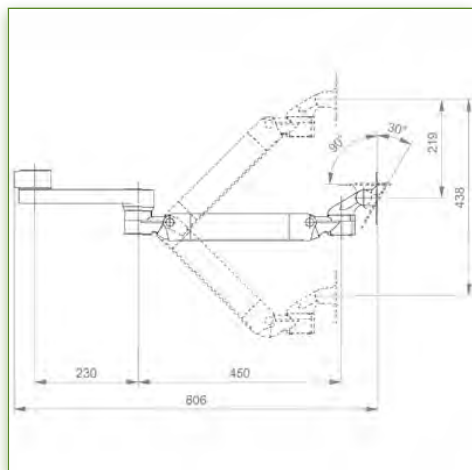


Display Compatibility: 26" Wide (Weight)
 Supported Weight: 9-14 Kg
 VESA standard: 75 / 100 mm

Up to 26" Wide (Weight)
 75/100 mm
 9-14 Kg



Do not hesitate to contact us if you have any questions about this product.

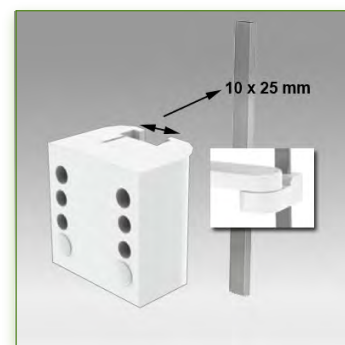
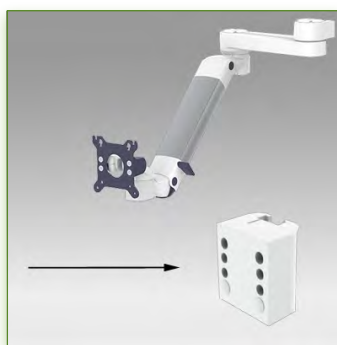
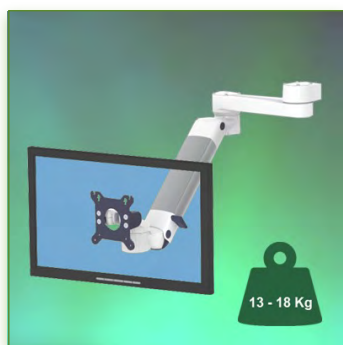


- Warranty: 5 years**
- 000.995.114-3
- Graphite Grey and White**
- On Measure**
- = Depending on the elements
- 995.114-3



Anti-bacterial properties:

IT medical arms are now designed with Microban antibacterial protection, a revolutionary treatment that guarantees optimal hygiene. IT medical arms integrate Microban and other antibacterial agents into all medical products. It inhibits the growth of bacteria of all types. This is not a surface treatment. It is 100% in the totality of the product. It does not alter the physico-mechanical properties of the medical arm lift system. Simulations over 30 years show that 100% of the antibacterial properties are maintained. All medical articulated arms incorporate Microban. Microban is the world's leading provider of anti-bacterial solutions. It has been successfully applied for more than 35 years in a wide range of products used in the hospital, construction and food industries.



Display Compatibility: 26" Wide (Weight)
 Supported Weight: 13-18 Kg
 VESA standard: 75 / 100 mm

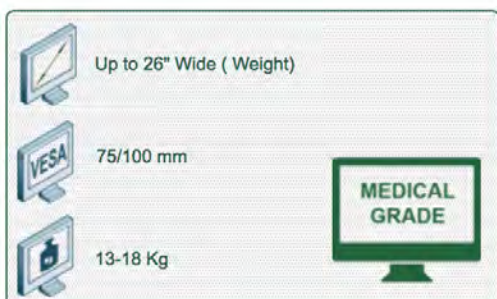
PH Medical Monitor Arm (High Position) height adjustable 300 + 240 mm, Din Rail Vertical 10 x 25 mm mount

This PH (High Position) Horizontal Medical Arm 300 + 240 mm with gas spring height adjustment allows the LCD screen to be perfectly fixed, oriented and adjusted. It is coated with an anti-microbial agent offering hygiene and cleaning down to the last detail. Its modern design has been specially designed for healthcare environments.

Technical specifications:

- * Integrated cable channel
- * Equipotential bonding
- * Mounting on Din Vertical Rail 10 x 25 mm adapter included (10 x 25 mm)
- * This medical arm is simply attached to the Din rail fo then adjust to the vertical rail.
- * It has a safety stop button for height adjustment, which allows the arm to remain in the chosen position.
- * Installation specific to the high position (PH)
- * The head of this arm complies with the screen mounting standard: VESA MIS-D 75 mm and 100 mm.
- * Compatible with screens whose weight does not exceed 13-18 Kg.
- * Touch screen stability. * Screen tilt: 50° down and 100° up
- * Screen rotation: 110° right, 110° left.
- * Arm rotation: 105° to the right, 105° to the left.
- * Height adjustment: 45° down, 45° up * Total length 806 mm
- * Compatible with multimedia terminals (TMM)
- * Colour RAL 7024 (Graphite grey) and White
- * All our medical arms are in conformity: CE, ROHS, Medical Grade, Regulations MDD 93/42 ECC.
- * Warranty: 5 years

Note: This arm can also be installed on one of our medical columns or trolleys.



Do not hesitate to contact us if you have any questions about this product.

Warranty: 5 years

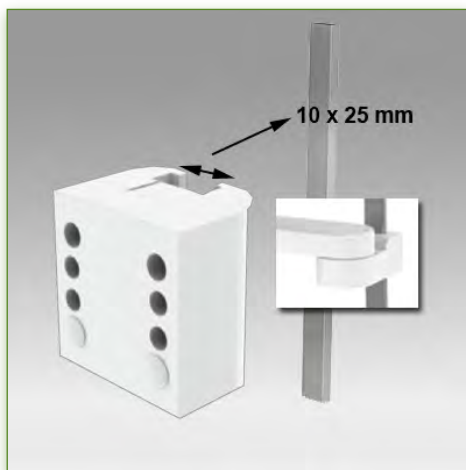
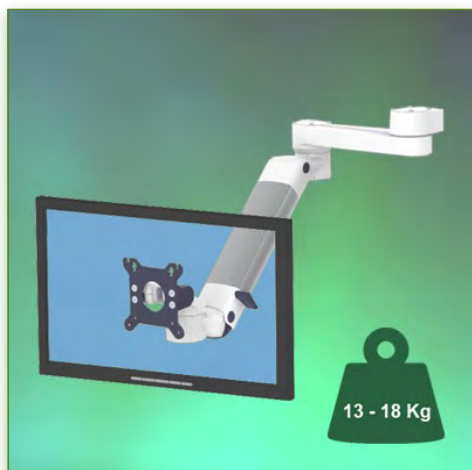
000.995.114-4

Graphite Grey and White

On Measure

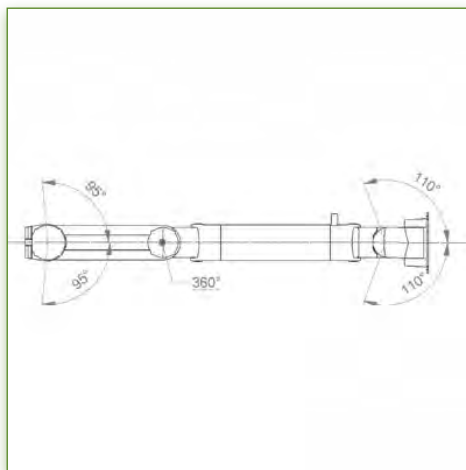
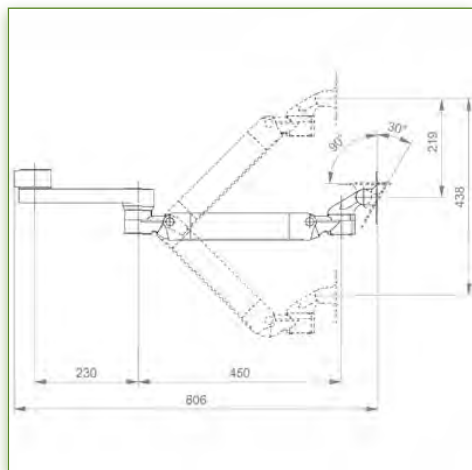
= Depending on the elements

995.114-4

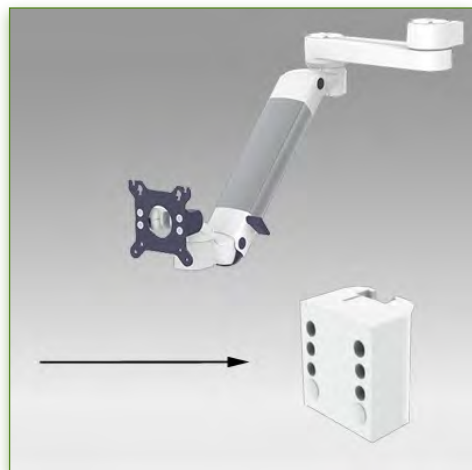


Display Compatibility: 26" Wide (Weight)
 Supported Weight: 13-18 Kg
 VESA standard: 75 / 100 mm

Up to 26" Wide (Weight)
 75/100 mm
 13-18 Kg

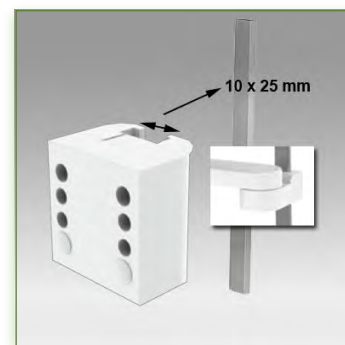
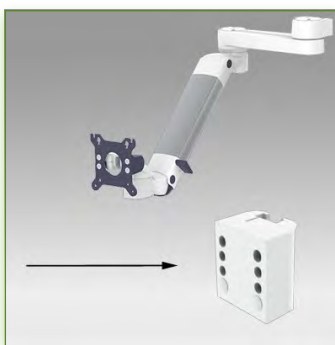
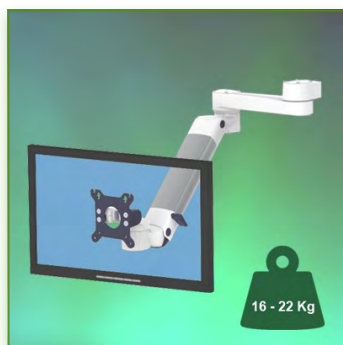


- Do not hesitate to contact us if you have any questions about this product.
- Warranty: 5 years**
- 000.995.114-4
- Graphite Grey and White
- On Measure
- = Depending on the elements
- 995.114-4



Anti-bacterial properties:

IT medical arms are now designed with Microban antibacterial protection, a revolutionary treatment that guarantees optimal hygiene. IT medical arms integrate Microban and other antibacterial agents into all medical products. It inhibits the growth of bacteria of all types. This is not a surface treatment. It is 100% in the totality of the product. It does not alter the physico-mechanical properties of the medical arm lift system. Simulations over 30 years show that 100% of the antibacterial properties are maintained. All medical articulated arms incorporate Microban. Microban is the world's leading provider of anti-bacterial solutions. It has been successfully applied for more than 35 years in a wide range of products used in the hospital, construction and food industries.



Display Compatibility: 26" Wide (Weight)
 Supported Weight: 13-18 Kg
 VESA standard: 75 / 100 mm



Do not hesitate to contact us if you have any questions about this product.

Warranty: 5 years

000.995.114-5

Graphite Grey and White

On Measure

= Depending on the elements

995.114-5

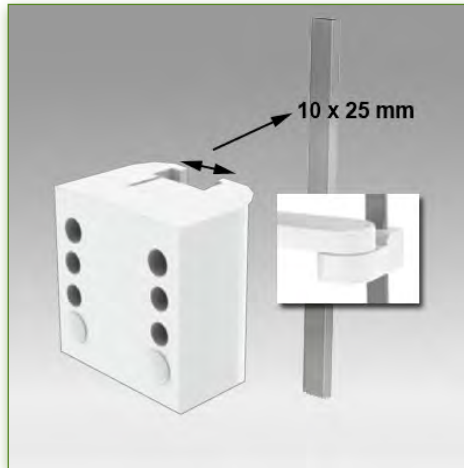
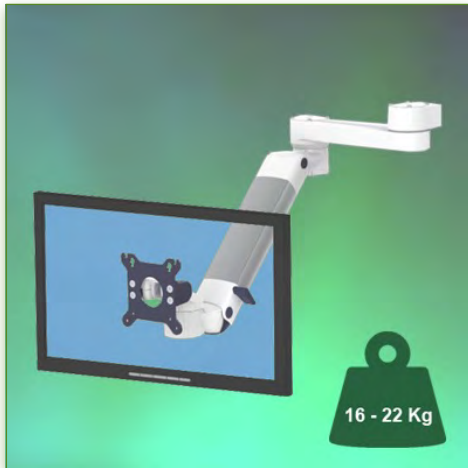
PH Medical Monitor Arm (High Position) height adjustable 300 + 240 mm, Din Rail Vertical 10 x 25 mm mount

This PH (High Position) Horizontal Medical Arm 300 + 240 mm with gas spring height adjustment allows the LCD screen to be perfectly fixed, oriented and adjusted. It is coated with an anti-microbial agent offering hygiene and cleaning down to the last detail. Its modern design has been specially designed for healthcare environments.

Technical specifications:

- * Integrated cable channel
- * Equipotential bonding
- * Mounting on Din Vertical Rail 10 x 25 mm adapter included (10 x 25 mm)
- * This medical arm is simply attached to the Din rail fo then adjust to the vertical rail.
- * It has a safety stop button for height adjustment, which allows the arm to remain in the chosen position.
- * Installation specific to the high position (PH)
- * The head of this arm complies with the screen mounting standard: VESA MIS-D 75 mm and 100 mm.
- * Compatible with screens whose weight does not exceed 16-22 Kg.
- * Touch screen stability. * Screen tilt: 50° down and 100° up
- * Screen rotation: 110° right, 110° left.
- * Arm rotation: 105° to the right, 105° to the left.
- * Height adjustment: 45° down, 45° up * Total length 806 mm
- * Compatible with multimedia terminals (TMM)
- * Colour RAL 7024 (Graphite grey) and White
- * All our medical arms are in conformity: CE, ROHS, Medical Grade, Regulations MDD 93/42 ECC.
- * Warranty: 5 years

Note: This arm can also be installed on one of our medical columns or trolleys.

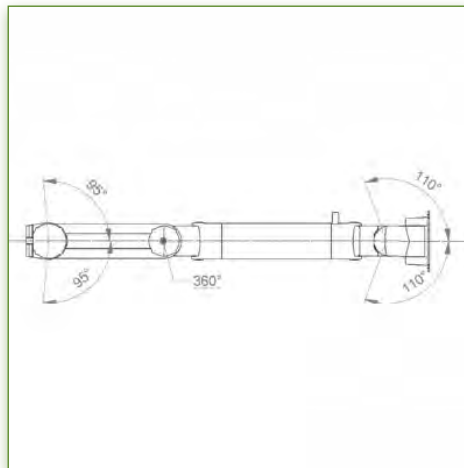
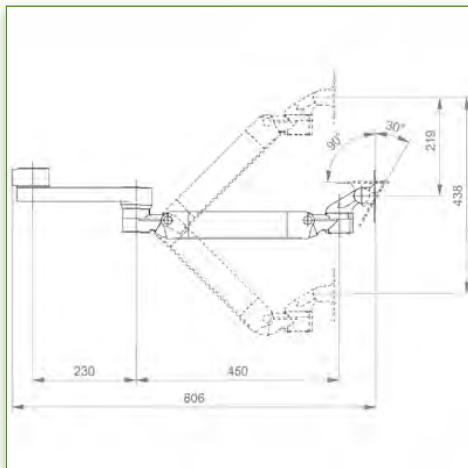


Display Compatibility: 26" Wide (Weight)
 Supported Weight: 13-18 Kg
 VESA standard: 75 / 100 mm

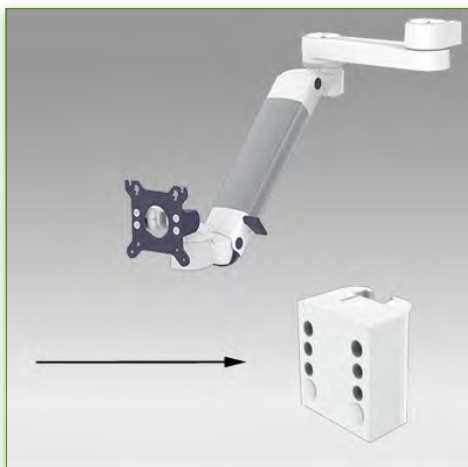


Medical Grade

Do not hesitate to contact us if you have any questions about this product.

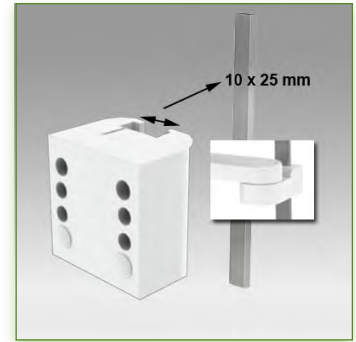
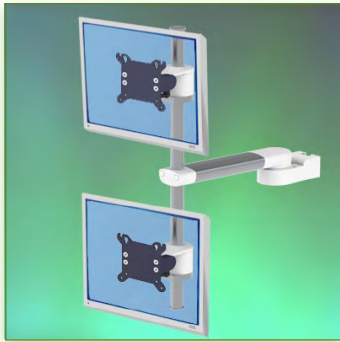


- Warranty: 5 years**
- 000.995.114-5
- Graphite Grey and White
- On Measure
- = Depending on the elements
- 995.114-5



Anti-bacterial properties:

IT medical arms are now designed with Microban antibacterial protection, a revolutionary treatment that guarantees optimal hygiene. IT medical arms integrate Microban and other antibacterial agents into all medical products. It inhibits the growth of bacteria of all types. This is not a surface treatment. It is 100% in the totality of the product. It does not alter the physico-mechanical properties of the medical arm lift system. Simulations over 30 years show that 100% of the antibacterial properties are maintained. All medical articulated arms incorporate Microban. Microban is the world's leading provider of anti-bacterial solutions. It has been successfully applied for more than 35 years in a wide range of products used in the hospital, construction and food industries.



Display Compatibility: 26" Wide (Weight)
Supported Weight: 2 x 10 Kg
VESA standard: 75 / 100 mm

Up to 26" Wide (Weight)
75/100 mm
2 x 10 Kg
MEDICAL GRADE

Do not hesitate to contact us if you have any questions about this product.

Warranty: 5 years

000.995.843

Graphite Grey and White

On Measure

= Depending on the elements

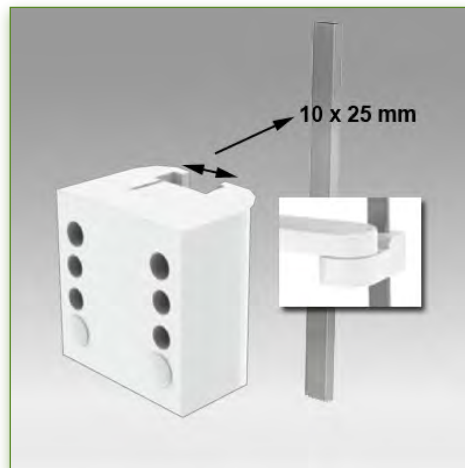
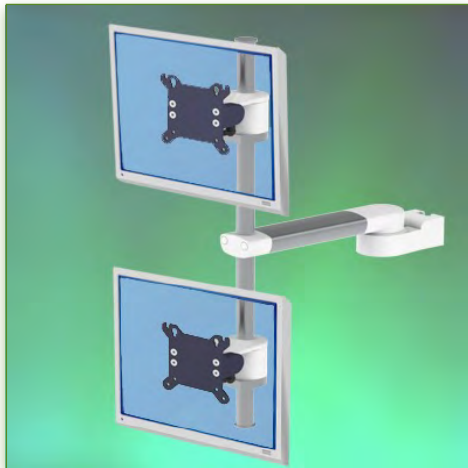
995.843

240 mm Horizontal Medical Arm with pole for two screens Mounting on Universal Vertical Din Rail 10 x 25 mm

This 240 mm Horizontal Medical Arm equipped with a pole allows two LCD screens to be perfectly fixed, oriented and adjusted. It is coated with an anti-microbial agent offering hygiene and cleaning down to the last detail. Its modern design has been specially designed for healthcare environments.

Technical specifications:

- * Integrated cable channel
 - * Mounting on Din Vertical Rail 10 x 25 mm adapter included (10 x 25 mm)
 - * This medical arm is simply attached to the Din rail fo then adjust to the vertical rail.
 - * Rotary head.
 - * The Ball joint is conform to the screen mounting standard: VESA MIS-D 75 mm and 100 mm.
 - * Compatible with screens whose weight does not exceed 10 Kg either - 20 Kg total.
 - * Touch screen stability.
 - * Screen tilt: 20° down and 20° up
 - * Screen rotation: 45° to the right, 45° to the left.
 - * Arm rotation: 45° to the right, 45° to the left.
 - * Total length 387 mm
 - * Compatible with multimedia terminals (TMM)
 - * Colour RAL 7024 (Graphite grey) and White
 - * All our medical arms are in conformity: CE, ROHS, Medical Grade, Regulations MDD 93/42 ECC.
 - * Warranty: 5 years
- Note: This arm can also be installed on one of our medical columns or trolleys.

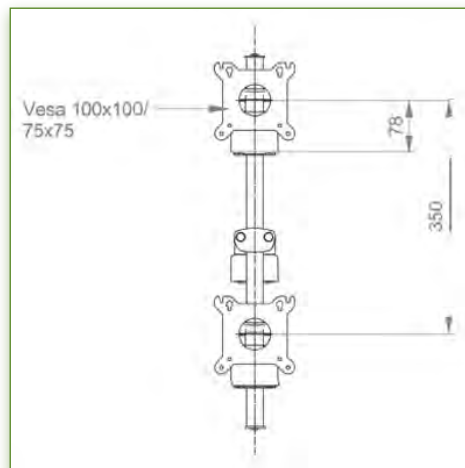
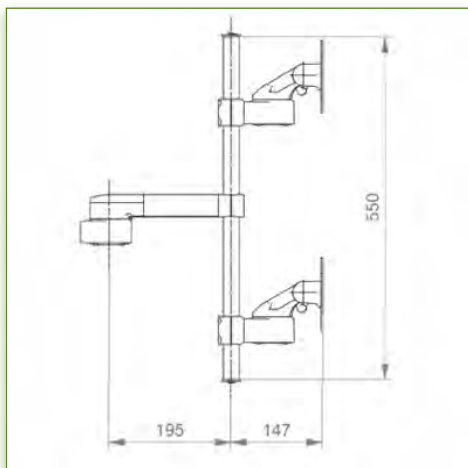


Display Compatibility: 26" Wide (Weight)
 Supported Weight: 2 x 10 Kg
 VESA standard: 75 / 100 mm

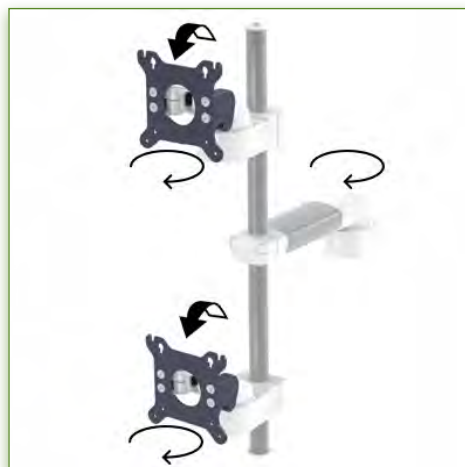
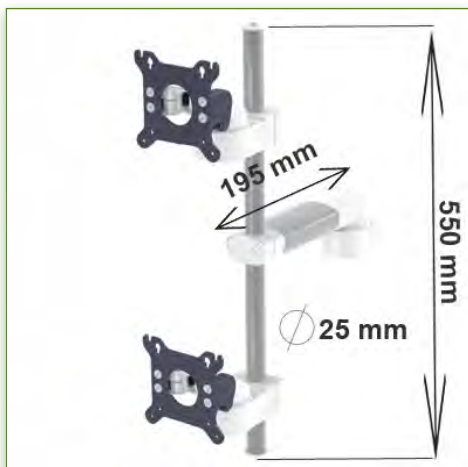
Up to 26" Wide (Weight)
 75/100 mm
 2 x 10 Kg



Do not hesitate to contact us if you have any questions about this product.

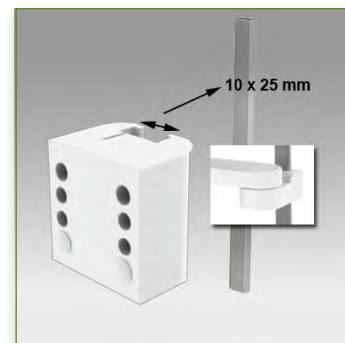


- Warranty: 5 years
- 000.995.843
- Graphite Grey and White
- On Measure
- = Depending on the elements
- 995.843



Anti-bacterial properties:

IT medical arms are now designed with Microban antibacterial protection, a revolutionary treatment that guarantees optimal hygiene. IT medical arms integrate Microban and other antibacterial agents into all medical products. It inhibits the growth of bacteria of all types. This is not a surface treatment. It is 100% in the totality of the product. It does not alter the physico-mechanical properties of the medical arm lift system. Simulations over 30 years show that 100% of the antibacterial properties are maintained. All medical articulated arms incorporate Microban. Microban is the world's leading provider of anti-bacterial solutions. It has been successfully applied for more than 35 years in a wide range of products used in the hospital, construction and food industries.



Display Compatibility: 26" Wide (Weight)
Supported Weight: 25 Kg
VESA standard: 75 / 100 mm

**306 mm Horizontal Swivel Stand Medical Arm with 10° to 15° Tilting
Foot Din Rail Vertical 10 x 25 mm Mounting**

This 278 mm Horizontal Swivel Stand Arm allows the LCD screen to be perfectly fixed, oriented and adjusted. It is coated with an anti-microbial agent offering hygiene and cleaning down to the last detail. Its modern design has been specially designed for healthcare environments.

Technical specifications:

- * Integrated cable channel
- * Mounting on Din Vertical Rail 10 x 25 mm adapter included (10 x 25 mm)
- * This medical arm is simply attached to the Din rail fo then adjust to the vertical rail. He doesn't own height adjustment but swivels on itself.
- * The head of this arm complies with the screen mounting standard: VESA MIS-D 75 mm and 100 mm.
- * Compatible with screens whose weight does not exceed 25 Kg.
- * Touch screen stability.
- * Total length 333 mm
- * Height of the screen stand: 315 mm not inclined, 295 mm inclined
- * Stand rotation: 210°.
- * Arm rotation: 210°.
- * Compatible with multimedia terminals (TMM)
- * Colour RAL 7024 (Graphite grey) and White
- * All our medical arms are in conformity: CE, ROHS, Medical Grade, Regulations MDD 93/42 ECC.
- * Warranty: 5 years

Note: This arm can also be installed on one of our medical columns or trolleys.

Up to 26" Wide (Weight)
75/100 mm
25 Kg
MEDICAL GRADE

Do not hesitate to contact us if you have any questions about this product.

Warranty: 5 years

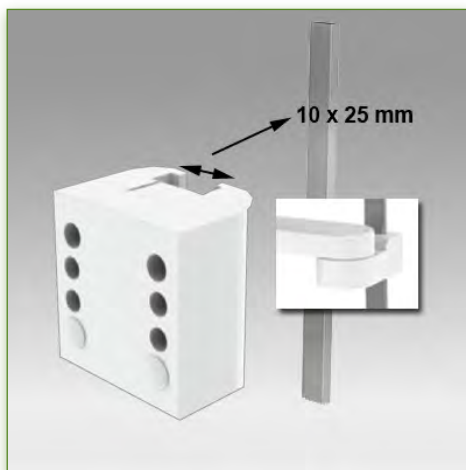
000.995.845

Graphite Grey and White

On Measure

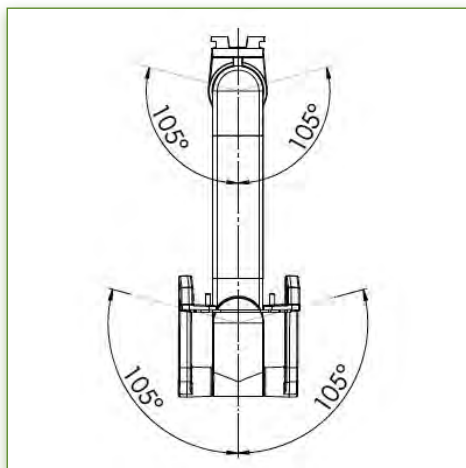
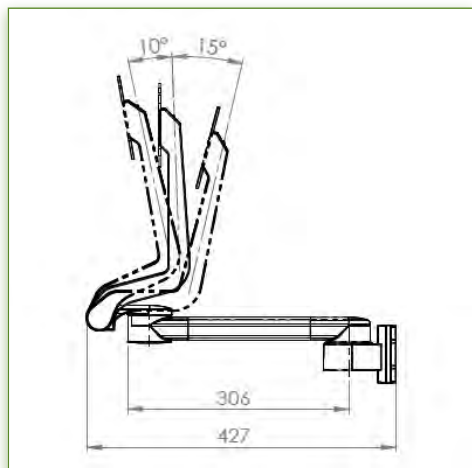
= Depending on the elements

995.845



Display Compatibility: 26" Wide (Weight)
Supported Weight: 25 Kg
VESA standard: 75 / 100 mm

Up to 26" Wide (Weight)
75/100 mm
25 Kg



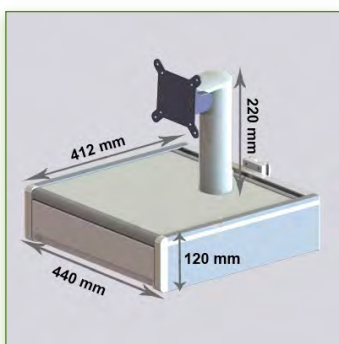
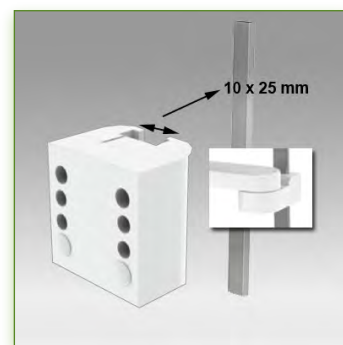
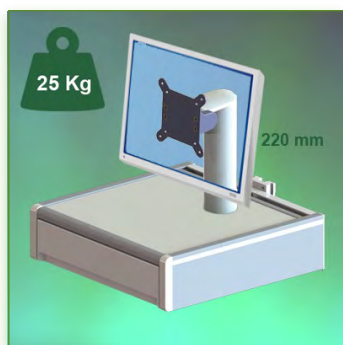
Do not hesitate to contact us if you have any questions about this product.

- Warranty: 5 years
- 000.995.845
- Graphite Grey and White
- On Measure
- = Depending on the elements
- 995.845

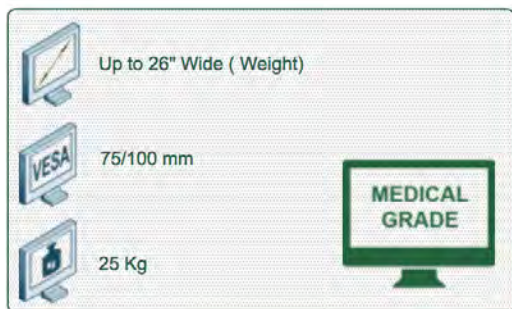


Anti-bacterial properties:

IT medical arms are now designed with Microban antibacterial protection, a revolutionary treatment that guarantees optimal hygiene. IT medical arms integrate Microban and other antibacterial agents into all medical products. It inhibits the growth of bacteria of all types. This is not a surface treatment. It is 100% in the totality of the product. It does not alter the physico-mechanical properties of the medical arm lift system. Simulations over 30 years show that 100% of the antibacterial properties are maintained. All medical articulated arms incorporate Microban. Microban is the world's leading provider of anti-bacterial solutions. It has been successfully applied for more than 35 years in a wide range of products used in the hospital, construction and food industries.



Display Compatibility: 26" Wide (Weight)
 Supported Weight: 25 Kg
 VESA standard: 75 / 100 mm
 Arm height: 220 mm



Medical Console for Display Height 220 mm Din Rail Vertical 10 x 25 mm Mount

This display console allows you to perfectly fix, orient and adjust an LCD screen and provides additional storage space with a drawer. It is covered with an anti-microbial agent offering hygiene and cleaning down to the last detail. Its modern design has been specially designed for healthcare environments.

Technical specifications:

- * Integrated cable channel
- * Mounting on Din Vertical Rail 10 x 25 mm adapter included (10 x 25 mm)
- * This console is simply attached to the Din rail for then adjust to the vertical rail.
- * Weight Supported by the console: 25 Kg
- * Tube arm with tilting head for 220 mm screen height (50° down / 100° up)
- * The head of this arm complies with the screen mounting standard: VESA MIS-D 75 mm and 100 mm.
- * Internal sliding drawer dimensions: 364 x 400 mm
- * Compatible with multimedia terminals (TMM)
 - * Colour RAL 7024 (Graphite grey) and White
- * All our medical arms are in conformity: CE, ROHS, Medical Grade, Regulations MDD 93/42 ECC.
- * Warranty: 5 years

Note: This Console can also be installed on one of our medical columns or trolleys.

Do not hesitate to contact us if you have any questions about this product.

Warranty: 5 years

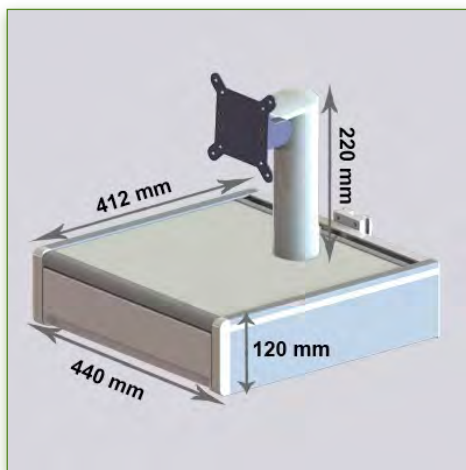
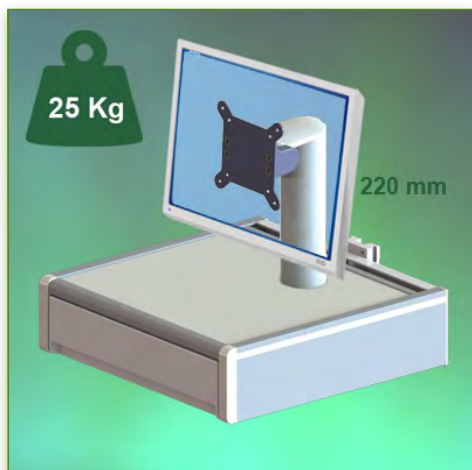
000.995.858

Graphite Grey and White

On Measure

= Depending on the elements

995.858



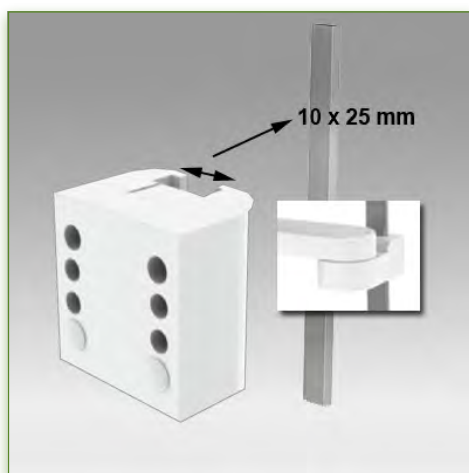
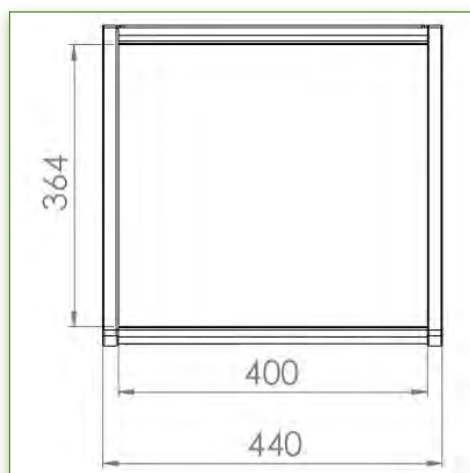
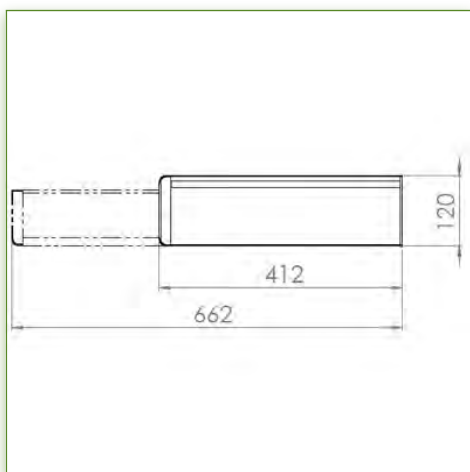
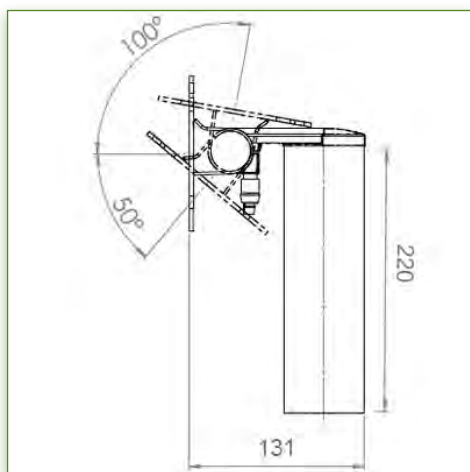
Display Compatibility: 26" Wide (Weight)
 Supported Weight: 25 Kg
 VESA standard: 75 / 100 mm
 Arm height: 220 mm

Up to 26" Wide (Weight)
 75/100 mm
 25 Kg



Do not hesitate to contact us if you have any questions about this product.

- Warranty: 5 years
- 000.995.858
- Graphite Grey and White
- On Measure
- = Depending on the elements
- 995.858



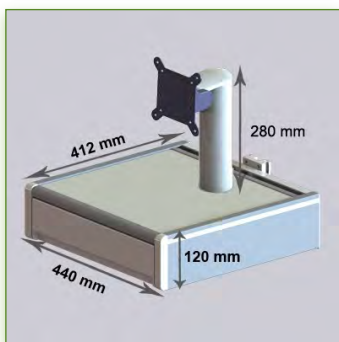
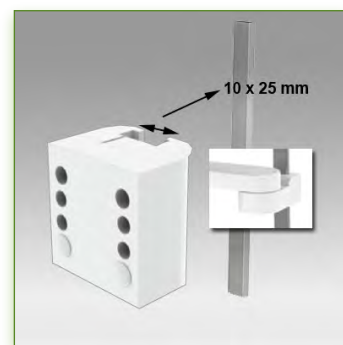
Anti-bacterial properties:

IT medical arms are now designed with Microban antibacterial protection, a revolutionary treatment that guarantees optimal hygiene. IT medical arms integrate Microban and other antibacterial agents into all medical products. It inhibits the growth of bacteria of all types. This is not a surface treatment.

It is 100% in the totality of the product.

It does not alter the physico-mechanical properties of the medical arm lift system. Simulations over 30 years show that 100% of the antibacterial properties are maintained.

All medical articulated arms incorporate Microban. Microban is the world's leading provider of anti-bacterial solutions. It has been successfully applied for more than 35 years in a wide range of products used in the hospital, construction and food industries.



Display Compatibility: 26" Wide (Weight)
 Supported Weight: 25 Kg
 VESA standard: 75 / 100 mm
 Arm height: 280 mm

Medical Console for Display Height 280 mm Din Rail Vertical 10 x 25 mm Mount

This display console allows you to perfectly fix, orient and adjust an LCD screen and provides additional storage space with a drawer. It is covered with an anti-microbial agent offering hygiene and cleaning down to the last detail. Its modern design has been specially designed for healthcare environments.

Technical specifications:

- * Integrated cable channel
- * Mounting on Din Vertical Rail 10 x 25 mm adapter included (10 x 25 mm)
- * This console is simply attached to the Din rail for then adjust to the vertical rail.
- * Weight Supported by the console: 25 Kg
- * Tube arm with tilting head for 280 mm screen height (50° down / 100° up)
- * The head of this arm complies with the screen mounting standard: VESA MIS-D 75 mm and 100 mm.
- * Internal sliding drawer dimensions: 364 x 400 mm
- * Compatible with multimedia terminals (TMM)
 - * Colour RAL 7024 (Graphite grey) and White
- * All our medical arms are in conformity: CE, ROHS, Medical Grade, Regulations MDD 93/42 ECC.
- * Warranty: 5 years

Note: This Console can also be installed on one of our medical columns or trolleys.

Do not hesitate to contact us if you have any questions about this product.

Warranty: 5 years

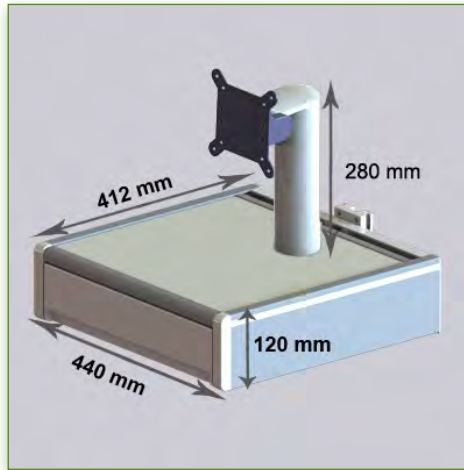
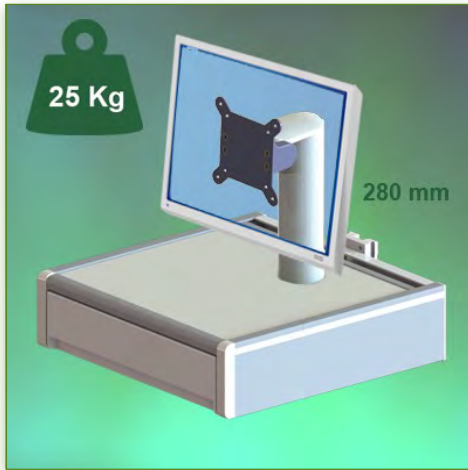
000.995.859

Graphite Grey and White

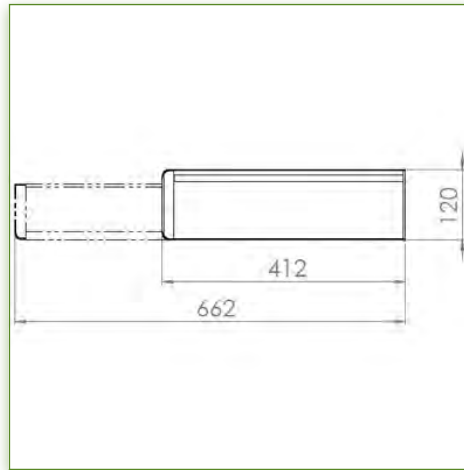
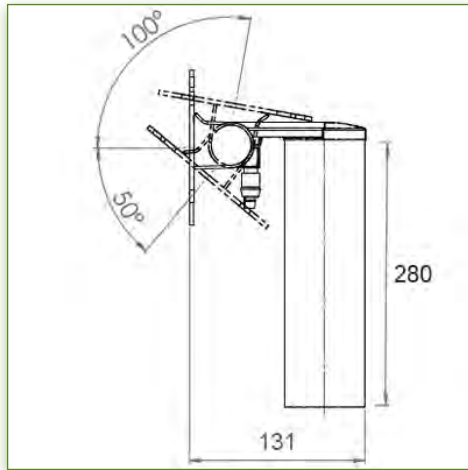
On Measure

= Depending on the elements

995.859

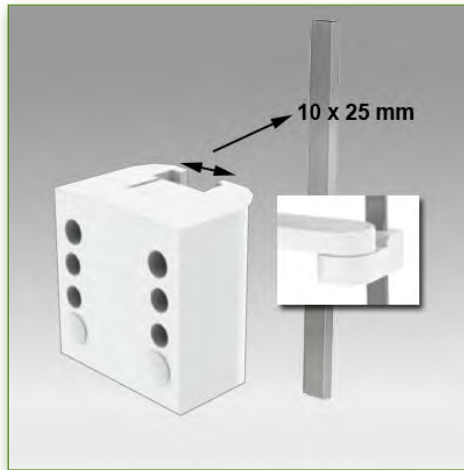
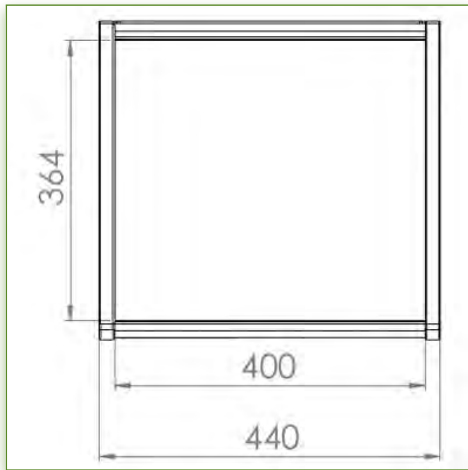


Display Compatibility: 26" Wide (Weight)
 Supported Weight: 25 Kg
 VESA standard: 75 / 100 mm
 Arm height: 280 mm



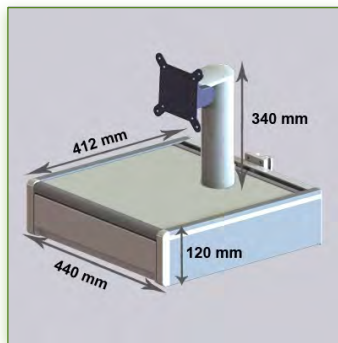
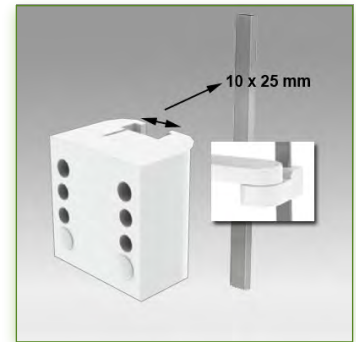
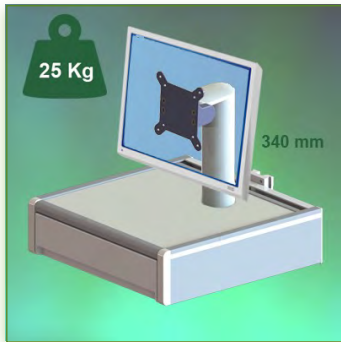
Do not hesitate to contact us if you have any questions about this product.

- Warranty: 5 years
- 000.995.859
- Graphite Grey and White
- On Measure
- = Depending on the elements
- 995.859

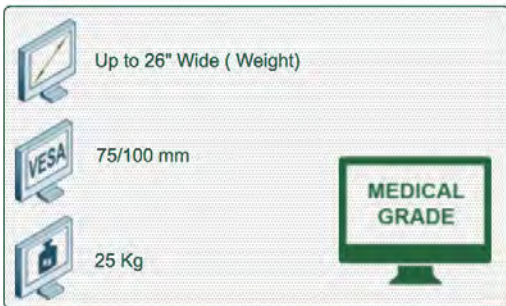


Anti-bacterial properties:

IT medical arms are now designed with Microban antibacterial protection, a revolutionary treatment that guarantees optimal hygiene. IT medical arms integrate Microban and other antibacterial agents into all medical products. It inhibits the growth of bacteria of all types. This is not a surface treatment. It is 100% in the totality of the product. It does not alter the physico-mechanical properties of the medical arm lift system. Simulations over 30 years show that 100% of the antibacterial properties are maintained. All medical articulated arms incorporate Microban. Microban is the world's leading provider of anti-bacterial solutions. It has been successfully applied for more than 35 years in a wide range of products used in the hospital, construction and food industries.



Display Compatibility: 26" Wide (Weight)
 Supported Weight: 25 Kg
 VESA standard: 75 / 100 mm
 Arm height: 340 mm



Do not hesitate to contact us if you have any questions about this product.

Warranty: 5 years

000.995.860

Graphite Grey and White

On Measure

= Depending on the elements

995.860

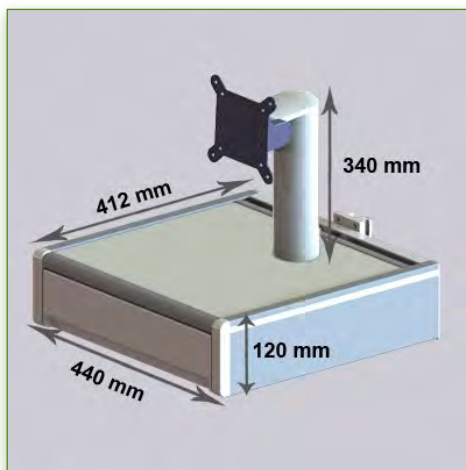
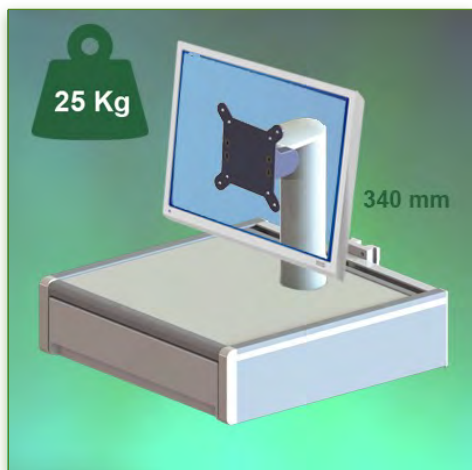
Medical Console for Display Height 340 mm Din Rail Vertical 10 x 25 mm Mount

This display console allows you to perfectly fix, orient and adjust an LCD screen and provides additional storage space with a drawer. It is covered with an anti-microbial agent offering hygiene and cleaning down to the last detail. Its modern design has been specially designed for healthcare environments.

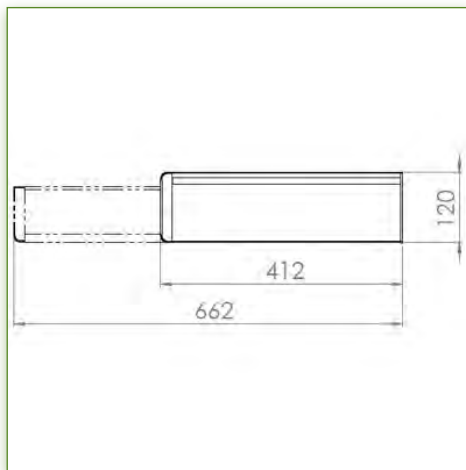
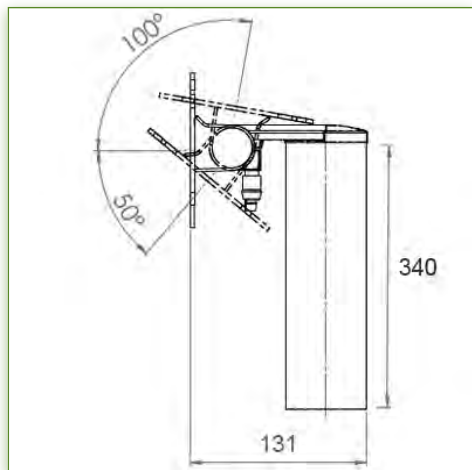
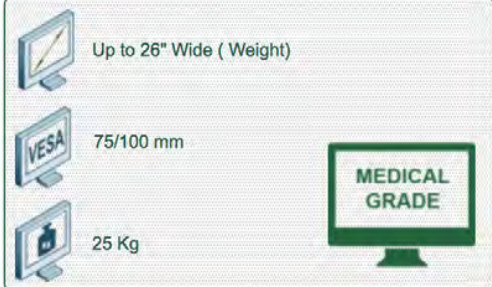
Technical specifications:

- * Integrated cable channel
- * Mounting on Din Vertical Rail 10 x 25 mm adapter included (10 x 25 mm)
- * This console is simply attached to the Din rail for then adjust to the vertical rail.
- * Weight Supported by the console: 25 Kg
- * Tube arm with tilting head for 340 mm screen height (50° down / 100° up)
- * The head of this arm complies with the screen mounting standard: VESA MIS-D 75 mm and 100 mm.
- * Internal sliding drawer dimensions: 364 x 400 mm
- * Compatible with multimedia terminals (TMM)
 - * Colour RAL 7024 (Graphite grey) and White
- * All our medical arms are in conformity: CE, ROHS, Medical Grade, Regulations MDD 93/42 ECC.
- * Warranty: 5 years

Note: This Console can also be installed on one of our medical columns or trolleys.



Display Compatibility: 26" Wide (Weight)
 Supported Weight: 25 Kg
 VESA standard: 75 / 100 mm
 Arm height: 340 mm



Do not hesitate to contact us if you have any questions about this product.

Warranty: 5 years

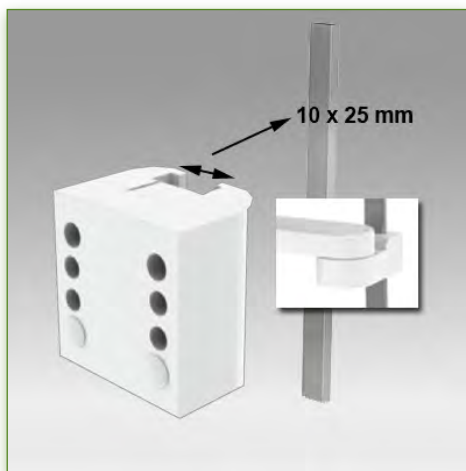
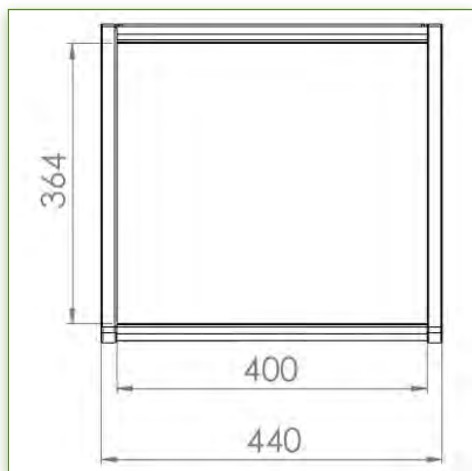
000.995.860

Graphite Grey and White

On Measure

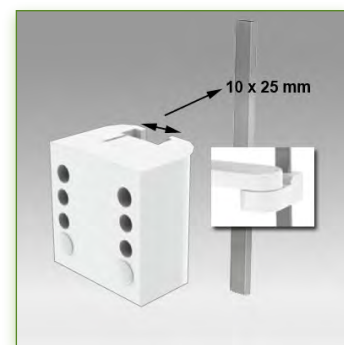
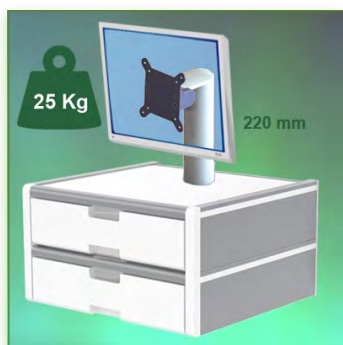
= Depending on the elements

995.860

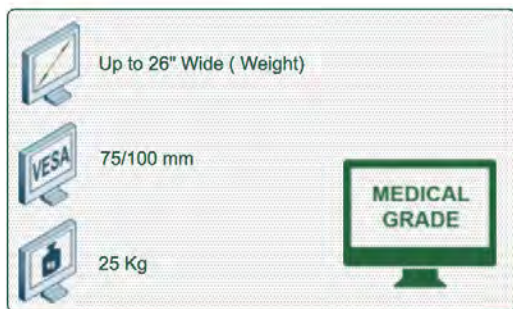


Anti-bacterial properties:

IT medical arms are now designed with Microban antibacterial protection, a revolutionary treatment that guarantees optimal hygiene. IT medical arms integrate Microban and other antibacterial agents into all medical products. It inhibits the growth of bacteria of all types. This is not a surface treatment. It is 100% in the totality of the product. It does not alter the physico-mechanical properties of the medical arm lift system. Simulations over 30 years show that 100% of the antibacterial properties are maintained. All medical articulated arms incorporate Microban. Microban is the world's leading provider of anti-bacterial solutions. It has been successfully applied for more than 35 years in a wide range of products used in the hospital, construction and food industries.



Display Compatibility: 26" Wide (Weight)
 Supported Weight: 25 Kg
 VESA standard: 75 / 100 mm
 Arm height: 220 mm



Medical Console for Display, 2 drawers, height 220 mm Vertical Din Rail 10 x 25 mm Mount

This display console allows you to perfectly fix, orient and adjust an LCD screen and provides additional storage space with a drawer. It is covered with an anti-microbial agent offering hygiene and cleaning down to the last detail. Its modern design has been specially designed for healthcare environments.

Technical specifications:

- * Integrated cable channel
- * Mounting on Din Vertical Rail 10 x 25 mm adapter included (10 x 25 mm)
- * This console is simply attached to the Din rail for then adjust to the vertical rail.
- * Weight Supported by the console: 25 Kg
- * Tube arm with tilting head for 220 mm screen height (50° down / 100° up)
- * The head of this arm complies with the screen mounting standard: VESA MIS-D 75 mm and 100 mm.
- * Internal sliding drawer (2) dimensions: 364 x 400 mm
- * Compatible with multimedia terminals (TMM)
- * Colour RAL 7024 (Graphite grey) and White
- * All our medical arms are in conformity: CE, ROHS, Medical Grade, Regulations MDD 93/42 ECC.
- * Warranty: 5 years

Note: This Console can also be installed on one of our medical columns or trolleys.

Do not hesitate to contact us if you have any questions about this product.

Warranty: 5 years

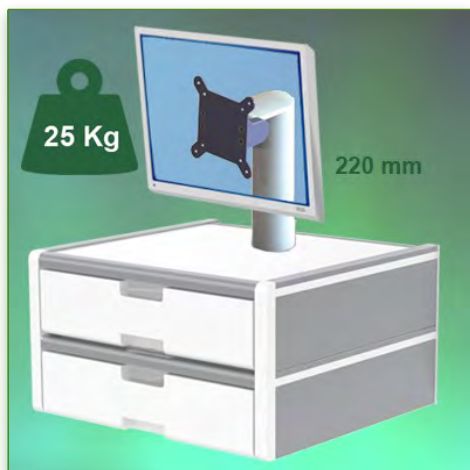
000.995.861

Graphite Grey and White

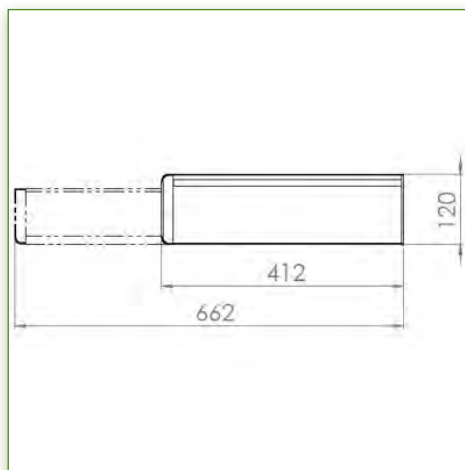
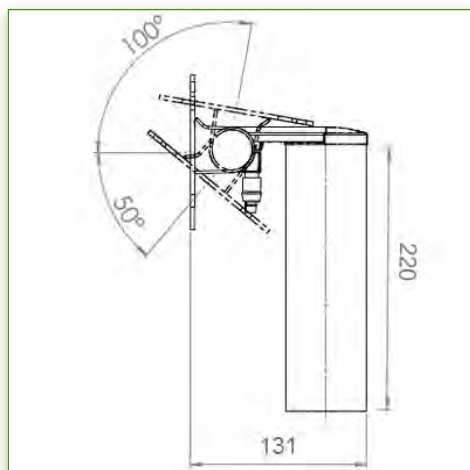
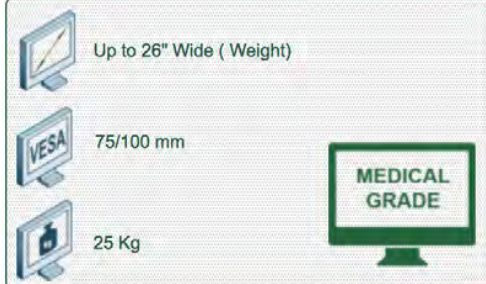
On Measure

= Depending on the elements

995.861



Display Compatibility: 26" Wide (Weight)
Supported Weight: 25 Kg
VESA standard: 75 / 100 mm
Arm height: 220 mm



Medical Grade



Do not hesitate to contact us if you have any questions about this product.



Warranty: 5 years



000.995.861



Graphite Grey and White



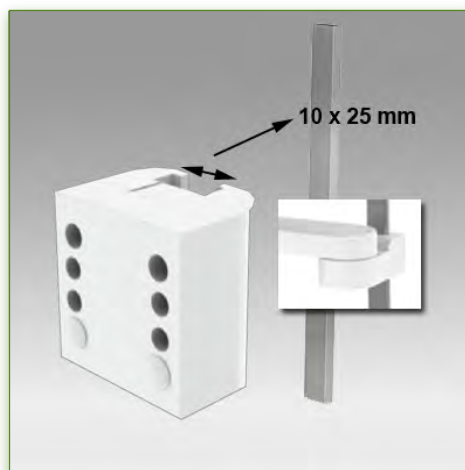
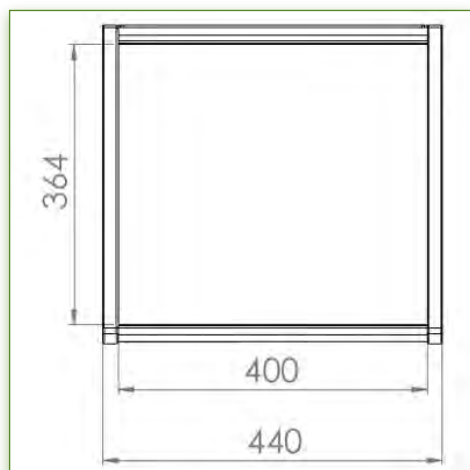
On Measure



= Depending on the elements

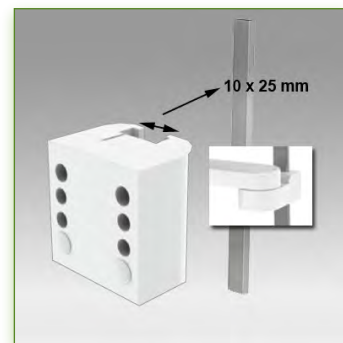
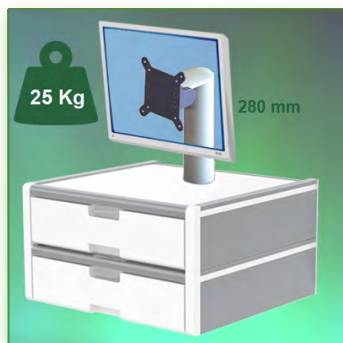


995.861

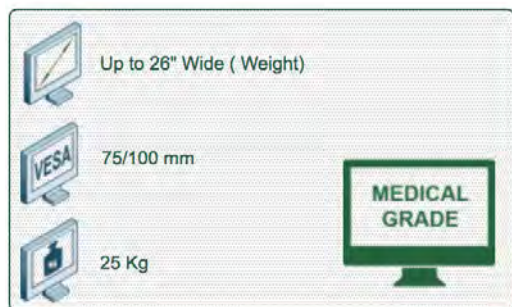


Anti-bacterial properties:

IT medical arms are now designed with Microban antibacterial protection, a revolutionary treatment that guarantees optimal hygiene. IT medical arms integrate Microban and other antibacterial agents into all medical products. It inhibits the growth of bacteria of all types. This is not a surface treatment. It is 100% in the totality of the product. It does not alter the physico-mechanical properties of the medical arm lift system. Simulations over 30 years show that 100% of the antibacterial properties are maintained. All medical articulated arms incorporate Microban. Microban is the world's leading provider of anti-bacterial solutions. It has been successfully applied for more than 35 years in a wide range of products used in the hospital, construction and food industries.



Display Compatibility: 26" Wide (Weight)
 Supported Weight: 25 Kg
 VESA standard: 75 / 100 mm
 Arm height: 280 mm



Medical Console for Display, 2 drawers, height 280 mm Vertical Din Rail 10 x 25 mm Mount

This display console allows you to perfectly fix, orient and adjust an LCD screen and provides additional storage space with a drawer. It is covered with an anti-microbial agent offering hygiene and cleaning down to the last detail. Its modern design has been specially designed for healthcare environments.

Technical specifications:

- * Integrated cable channel
- * Mounting on Din Vertical Rail 10 x 25 mm adapter included (10 x 25 mm)
- * This console is simply attached to the Din rail for then adjust to the vertical rail.
- * Weight Supported by the console: 25 Kg
- * Tube arm with tilting head for 280 mm screen height (50° down / 100° up)
- * The head of this arm complies with the screen mounting standard: VESA MIS-D 75 mm and 100 mm.
- * Internal sliding drawer (2) dimensions: 364 x 400 mm
- * Compatible with multimedia terminals (TMM)
- * Colour RAL 7024 (Graphite grey) and White
- * All our medical arms are in conformity: CE, ROHS, Medical Grade, Regulations MDD 93/42 ECC.
- * Warranty: 5 years

Note: This Console can also be installed on one of our medical columns or trolleys.

Do not hesitate to contact us if you have any questions about this product.

Warranty: 5 years

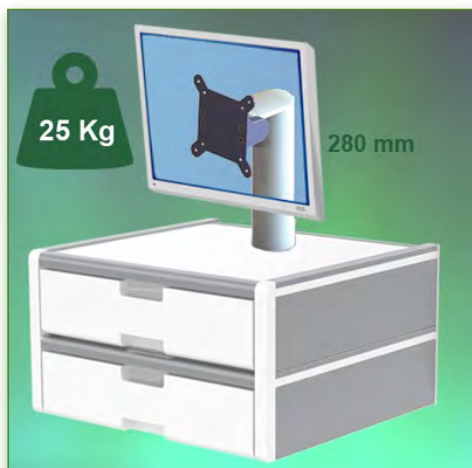
000.995.862

Graphite Grey and White

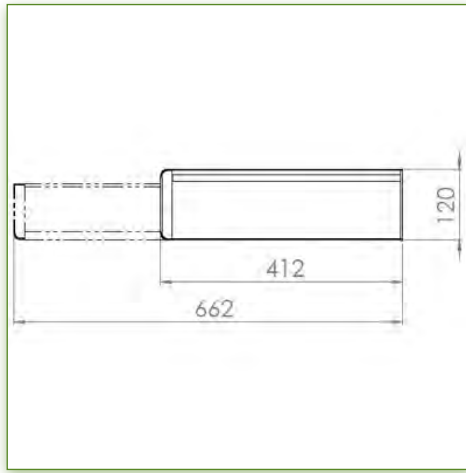
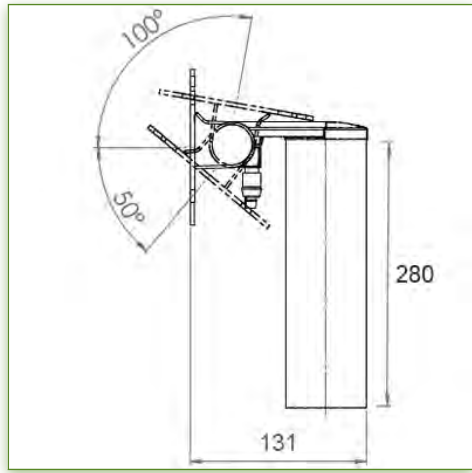
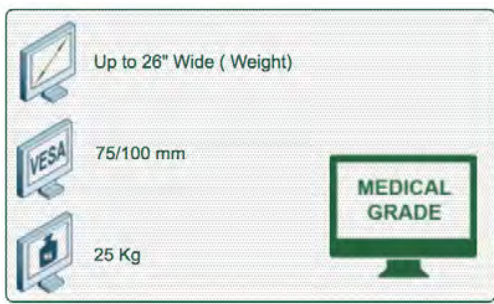
On Measure

= Depending on the elements

995.862

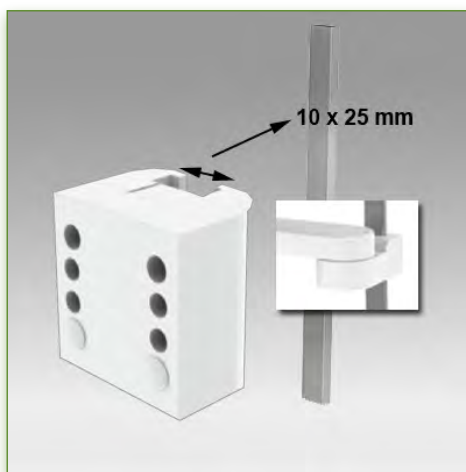
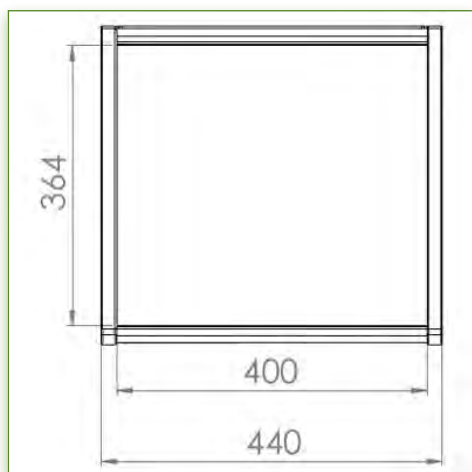


Display Compatibility: 26" Wide (Weight)
 Supported Weight: 25 Kg
 VESA standard: 75 / 100 mm
 Arm height: 280 mm



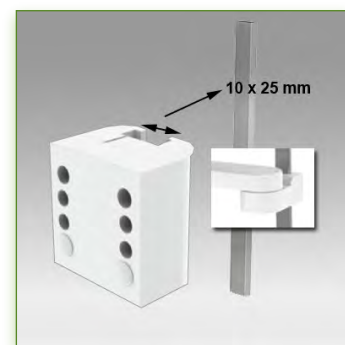
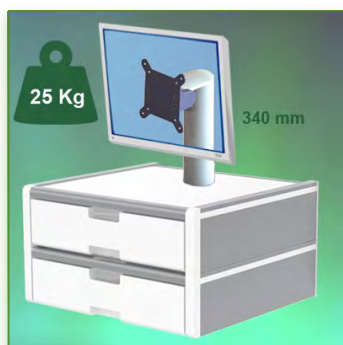
Do not hesitate to contact us if you have any questions about this product.

- Warranty: 5 years
- 000.995.862
- Graphite Grey and White
- On Measure
- = Depending on the elements
- 995.862

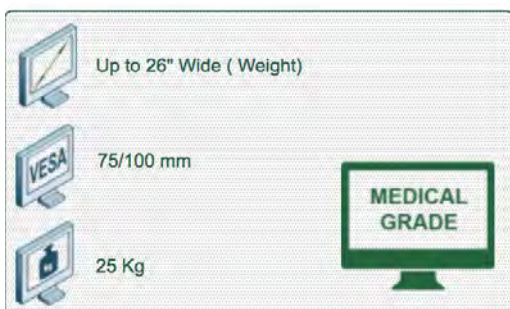


Anti-bacterial properties:

IT medical arms are now designed with Microban antibacterial protection, a revolutionary treatment that guarantees optimal hygiene. IT medical arms integrate Microban and other antibacterial agents into all medical products. It inhibits the growth of bacteria of all types. This is not a surface treatment. It is 100% in the totality of the product. It does not alter the physico-mechanical properties of the medical arm lift system. Simulations over 30 years show that 100% of the antibacterial properties are maintained. All medical articulated arms incorporate Microban. Microban is the world's leading provider of anti-bacterial solutions. It has been successfully applied for more than 35 years in a wide range of products used in the hospital, construction and food industries.



Display Compatibility: 26" Wide (Weight)
 Supported Weight: 25 Kg
 VESA standard: 75 / 100 mm
 Arm height: 340 mm



Medical Console for Display, 2 drawers, height 340 mm Vertical Din Rail 10 x 25 mm Mount

This display console allows you to perfectly fix, orient and adjust an LCD screen and provides additional storage space with a drawer. It is covered with an anti-microbial agent offering hygiene and cleaning down to the last detail. Its modern design has been specially designed for healthcare environments.

Technical specifications:

- * Integrated cable channel
- * Mounting on Din Vertical Rail 10 x 25 mm adapter included (10 x 25 mm)
- * This console is simply attached to the Din rail for then adjust to the vertical rail.
- * Weight Supported by the console: 25 Kg
- * Tube arm with tilting head for 340 mm screen height (50° down / 100° up)
- * The head of this arm complies with the screen mounting standard: VESA MIS-D 75 mm and 100 mm.
- * Internal sliding drawer (2) dimensions: 364 x 400 mm
- * Compatible with multimedia terminals (TMM)
- * Colour RAL 7024 (Graphite grey) and White
- * All our medical arms are in conformity: CE, ROHS, Medical Grade, Regulations MDD 93/42 ECC.
- * Warranty: 5 years

Note: This Console can also be installed on one of our medical columns or trolleys.

Do not hesitate to contact us if you have any questions about this product.

Warranty: 5 years

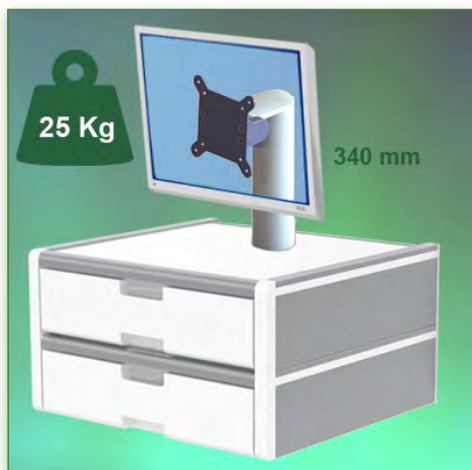
000.995.863

Graphite Grey and White

On Measure

= Depending on the elements

995.863



Display Compatibility: 26" Wide (Weight)
Supported Weight: 25 Kg
VESA standard: 75 / 100 mm
Arm height: 340 mm

Up to 26" Wide (Weight)
75/100 mm
25 Kg



Do not hesitate to contact us if you have any questions about this product.

Warranty: 5 years

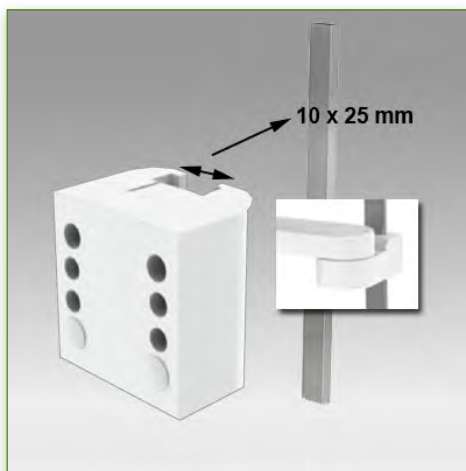
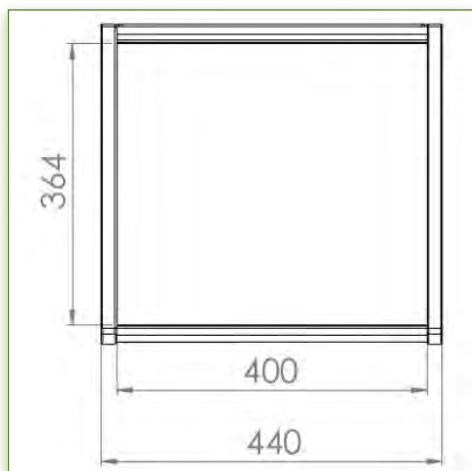
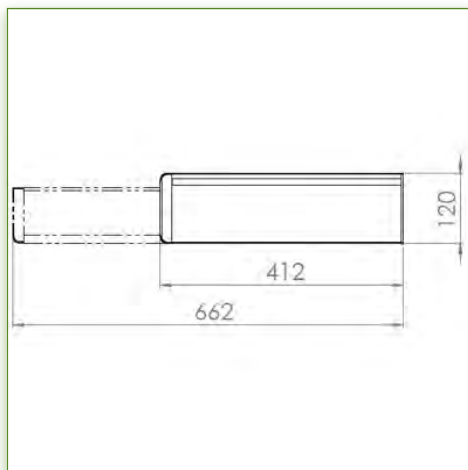
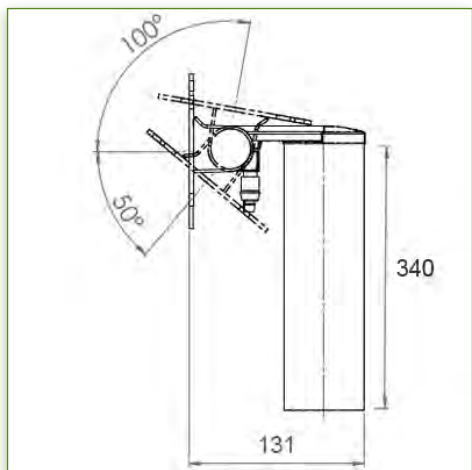
000.995.863

Graphite Grey and White

On Measure

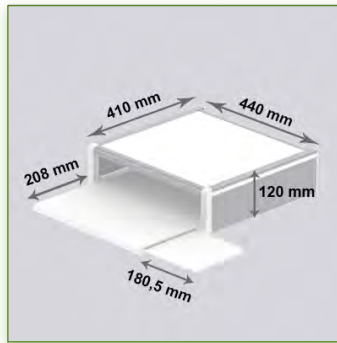
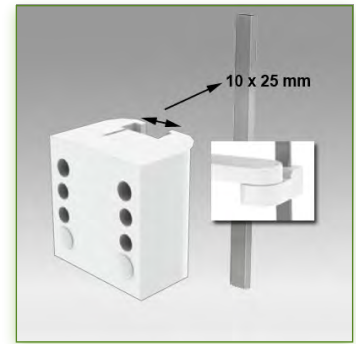
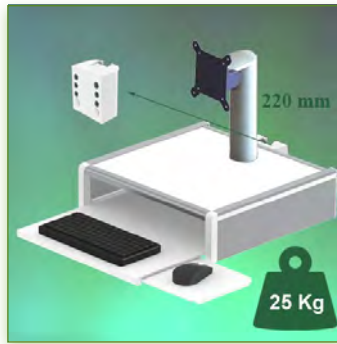
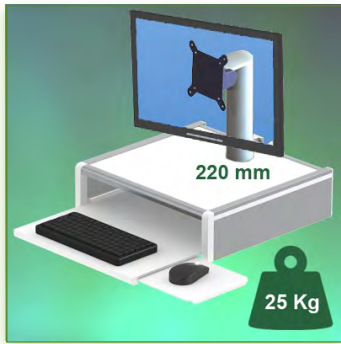
= Depending on the elements

995.863

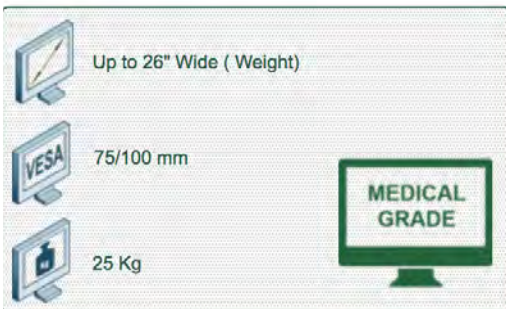


Anti-bacterial properties:

IT medical arms are now designed with Microban antibacterial protection, a revolutionary treatment that guarantees optimal hygiene. IT medical arms integrate Microban and other antibacterial agents into all medical products. It inhibits the growth of bacteria of all types. This is not a surface treatment. It is 100% in the totality of the product. It does not alter the physico-mechanical properties of the medical arm lift system. Simulations over 30 years show that 100% of the antibacterial properties are maintained. All medical articulated arms incorporate Microban. Microban is the world's leading provider of anti-bacterial solutions. It has been successfully applied for more than 35 years in a wide range of products used in the hospital, construction and food industries.



Display Compatibility: 26" Wide (Weight)
 Supported Weight: 25 Kg
 VESA standard: 75 / 100 mm
 Arm height: 220 mm



Combo Medical Console for Display, height 220 mm Din Rail 10 x 25 mm Vertical Mount

This monitor combo console allows you to perfectly fix, orient and adjust an LCD screen and provides additional storage space with an open drawer. It is covered with an anti-microbial agent offering hygiene and cleaning down to the last detail. Its modern design has been specially designed for healthcare environments.

Technical specifications:

- * Integrated cable channel
 - * Mounting on Din Vertical Rail 10 x 25 mm adapter included (10 x 25 mm)
 - * This console is simply attached to the Din rail for then adjust to the vertical rail.
 - * Weight Supported by the console: 25 Kg
 - * Tube arm with tilting head for the screen, 220 mm high (50° down / 100° up)
 - * The head of this arm complies with the screen mounting standard: VESA MIS-D 75 mm and 100 mm.
 - * Working area 440 x 412 mm
 - * Sliding mouse holder (right/left) with 180.5 x 208 mm usable area
 - * Keyboard holder with 259.5 x 208 mm usable area
 - * Compatible with multimedia terminals (TMM)
 - * Colour RAL 7024 (Graphite grey) and White
 - * All our medical arms are in conformity: CE, ROHS, Medical Grade, Regulations MDD 93/42 ECC.
 - * Warranty: 5 years
- * Note: This Console can also be installed on one of our medical columns or trolleys.

Do not hesitate to contact us if you have any questions about this product.

Warranty: 5 years

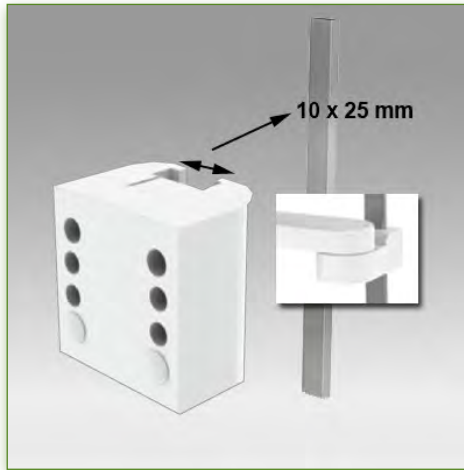
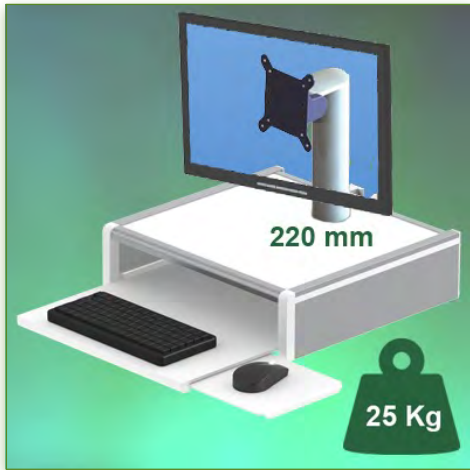
000.995.864

Graphite Grey and White

On Measure

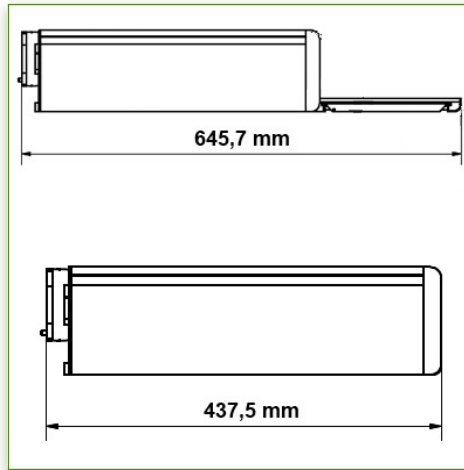
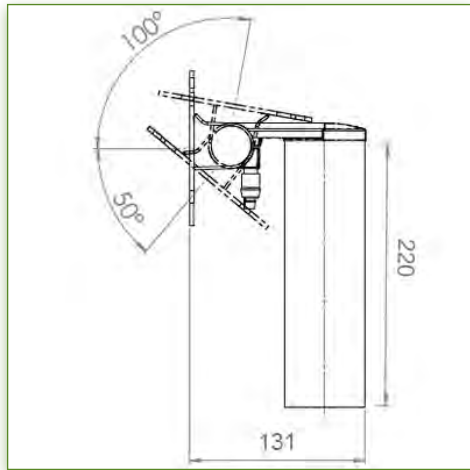
= Depending on the elements

995.864



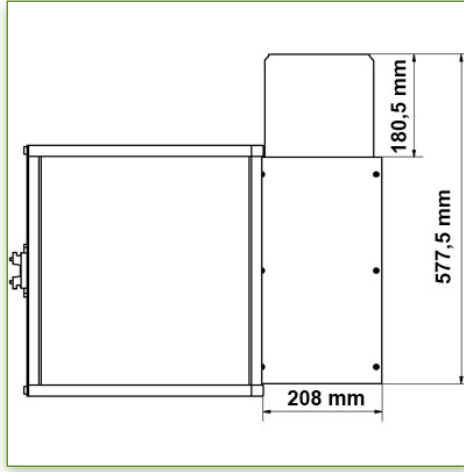
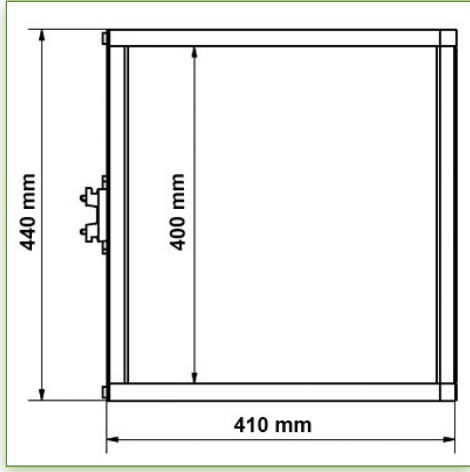
Display Compatibility: 26" Wide (Weight)
Supported Weight: 25 Kg
VESA standard: 75 / 100 mm
Arm height: 220 mm

Up to 26" Wide (Weight)
75/100 mm
25 Kg



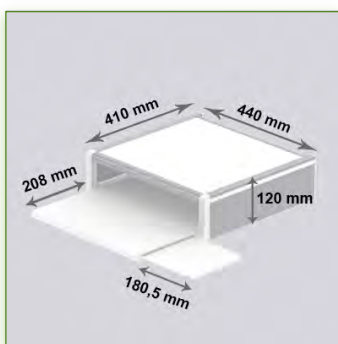
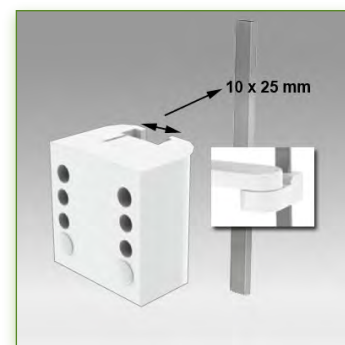
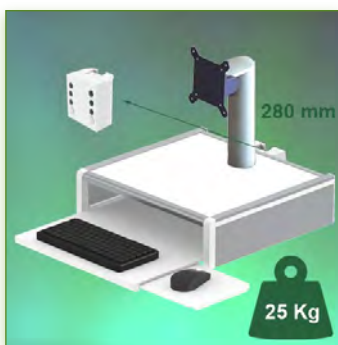
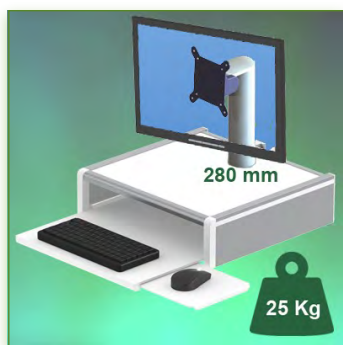
Do not hesitate to contact us if you have any questions about this product.

- Warranty: 5 years
- 000.995.864
- Graphite Grey and White
- On Measure
- = Depending on the elements
- 995.864



Anti-bacterial properties:

IT medical arms are now designed with Microban antibacterial protection, a revolutionary treatment that guarantees optimal hygiene. IT medical arms integrate Microban and other antibacterial agents into all medical products. It inhibits the growth of bacteria of all types. This is not a surface treatment. It is 100% in the totality of the product. It does not alter the physico-mechanical properties of the medical arm lift system. Simulations over 30 years show that 100% of the antibacterial properties are maintained. All medical articulated arms incorporate Microban. Microban is the world's leading provider of anti-bacterial solutions. It has been successfully applied for more than 35 years in a wide range of products used in the hospital, construction and food industries.



Display Compatibility: 26" Wide (Weight)
 Supported Weight: 25 Kg
 VESA standard: 75 / 100 mm
 Arm height: 280 mm



Combo Medical Console for Display, height 280 mm Din Rail 10 x 25 mm Vertical Mount

This monitor combo console allows you to perfectly fix, orient and adjust an LCD screen and provides additional storage space with an open drawer. It is covered with an anti-microbial agent offering hygiene and cleaning down to the last detail. Its modern design has been specially designed for healthcare environments.

Technical specifications:

- * Integrated cable channel
- * Mounting on Din Vertical Rail 10 x 25 mm adapter included (10 x 25 mm)
- * This console is simply attached to the Din rail for then adjust to the vertical rail.
- * Weight Supported by the console: 25 Kg
- * Tube arm with tilting head for the screen, 280 mm high (50° down / 100° up)
- * The head of this arm complies with the screen mounting standard: VESA MIS-D 75 mm and 100 mm.
- * Working area 440 x 412 mm
- * Sliding mouse holder (right/left) with 180.5 x 208 mm usable area
- * Keyboard holder with 259.5 x 208 mm usable area
- * Compatible with multimedia terminals (TMM)
- * Colour RAL 7024 (Graphite grey) and White
- * All our medical arms are in conformity: CE, ROHS, Medical Grade, Regulations MDD 93/42 ECC.
- * Warranty: 5 years

* Note: This Console can also be installed on one of our medical columns or trolleys.

Do not hesitate to contact us if you have any questions about this product.

Warranty: 5 years

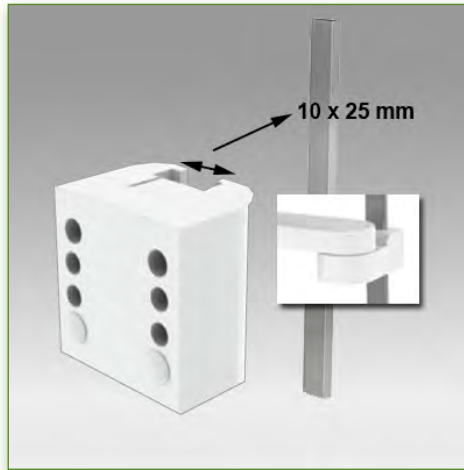
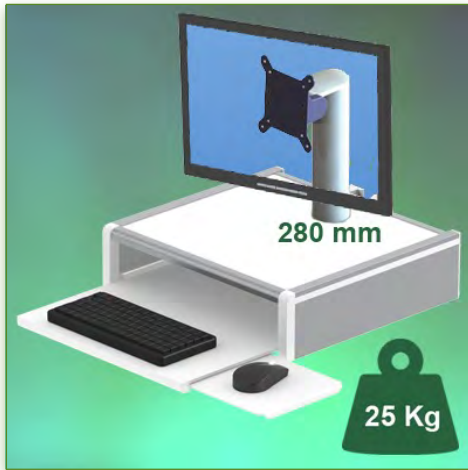
000.995.865

Graphite Grey and White

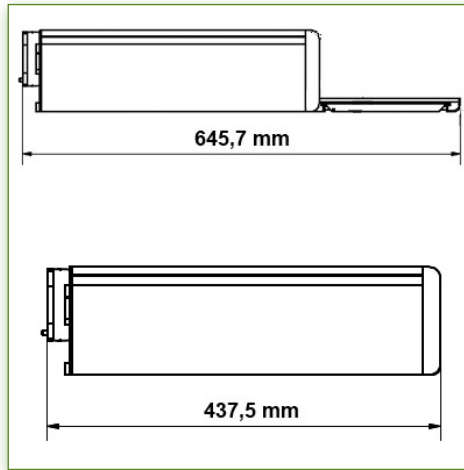
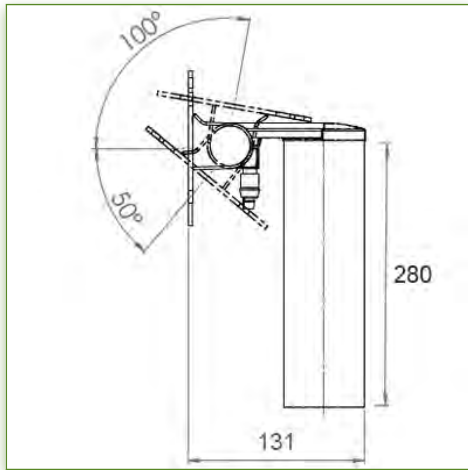
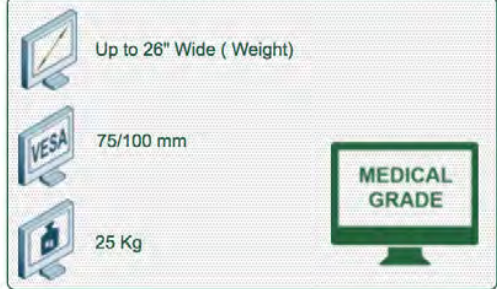
On Measure

= Depending on the elements

995.865

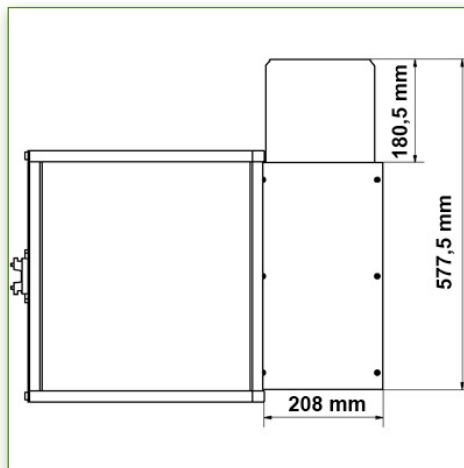
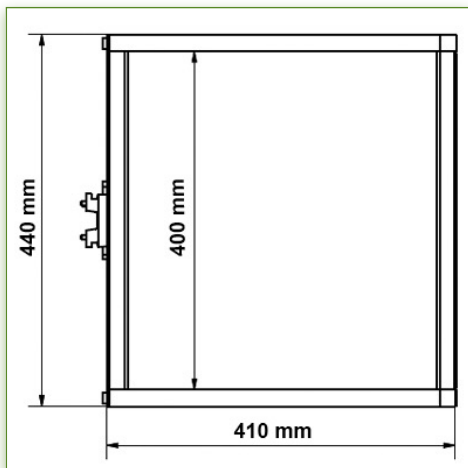


Display Compatibility: 26" Wide (Weight)
 Supported Weight: 25 Kg
 VESA standard: 75 / 100 mm
 Arm height: 280 mm



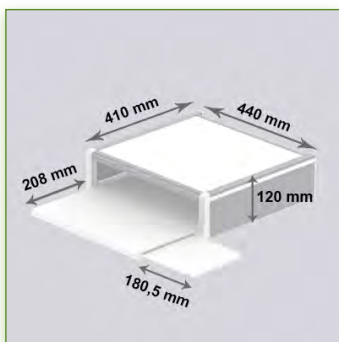
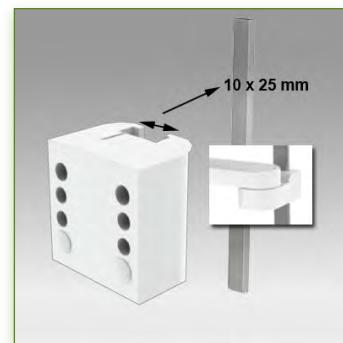
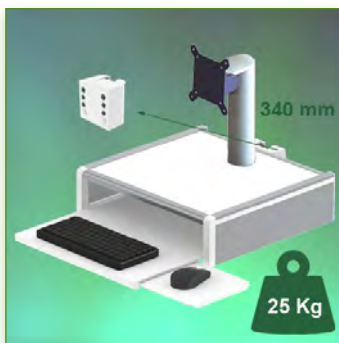
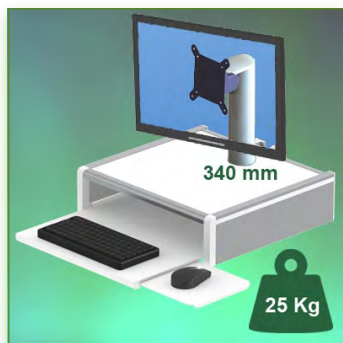
Do not hesitate to contact us if you have any questions about this product.

- Warranty: 5 years
- 000.995.865
- Graphite Grey and White
- On Measure
- = Depending on the elements
- 995.865

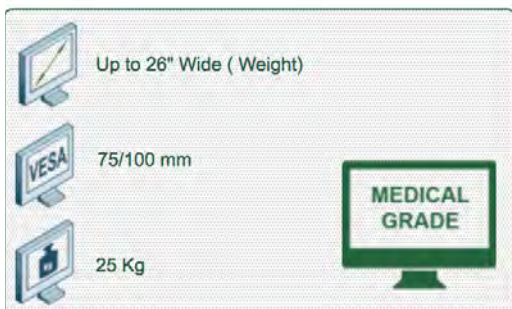


Anti-bacterial properties:

IT medical arms are now designed with Microban antibacterial protection, a revolutionary treatment that guarantees optimal hygiene. IT medical arms integrate Microban and other antibacterial agents into all medical products. It inhibits the growth of bacteria of all types. This is not a surface treatment. It is 100% in the totality of the product. It does not alter the physico-mechanical properties of the medical arm lift system. Simulations over 30 years show that 100% of the antibacterial properties are maintained. All medical articulated arms incorporate Microban. Microban is the world's leading provider of anti-bacterial solutions. It has been successfully applied for more than 35 years in a wide range of products used in the hospital, construction and food industries.



Display Compatibility: 26" Wide (Weight)
 Supported Weight: 25 Kg
 VESA standard: 75 / 100 mm
 Arm height: 340 mm



Combo Medical Console for Display, height 340 mm Din Rail 10 x 25 mm Vertical Mount

This monitor combo console allows you to perfectly fix, orient and adjust an LCD screen and provides additional storage space with an open drawer. It is covered with an anti-microbial agent offering hygiene and cleaning down to the last detail. Its modern design has been specially designed for healthcare environments.

Technical specifications:

- * Integrated cable channel
- * Mounting on Din Vertical Rail 10 x 25 mm adapter included (10 x 25 mm)
- * This console is simply attached to the Din rail for then adjust to the vertical rail.
- * Weight Supported by the console: 25 Kg
- * Tube arm with tilting head for the screen, 340 mm high (50° down / 100° up)
- * The head of this arm complies with the screen mounting standard: VESA MIS-D 75 mm and 100 mm.
- * Working area 440 x 412 mm
- * Sliding mouse holder (right/left) with 180.5 x 208 mm usable area
- * Keyboard holder with 259.5 x 208 mm usable area
- * Compatible with multimedia terminals (TMM)
- * Colour RAL 7024 (Graphite grey) and White
- * All our medical arms are in conformity: CE, ROHS, Medical Grade, Regulations MDD 93/42 ECC.
- * Warranty: 5 years

* Note: This Console can also be installed on one of our medical columns or trolleys.

Do not hesitate to contact us if you have any questions about this product.

Warranty: 5 years

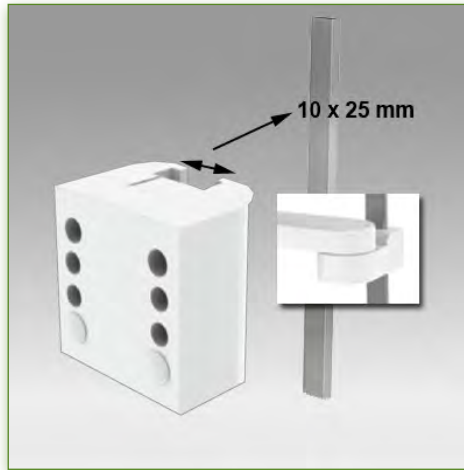
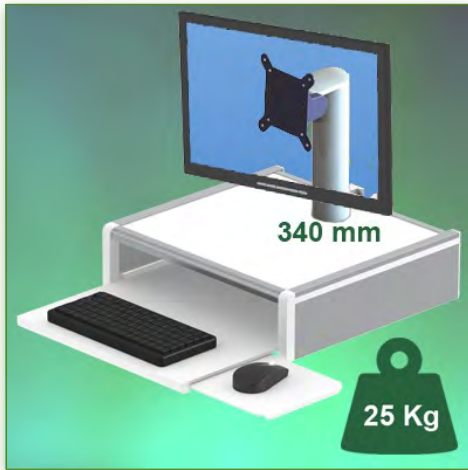
000.995.866

Graphite Grey and White

On Measure

= Depending on the elements

995.866



Display Compatibility: 26" Wide (Weight)
 Supported Weight: 25 Kg
 VESA standard: 75 / 100 mm
 Arm height: 340 mm

Up to 26" Wide (Weight)
 75/100 mm
 25 Kg



Do not hesitate to contact us if you have any questions about this product.

Warranty: 5 years

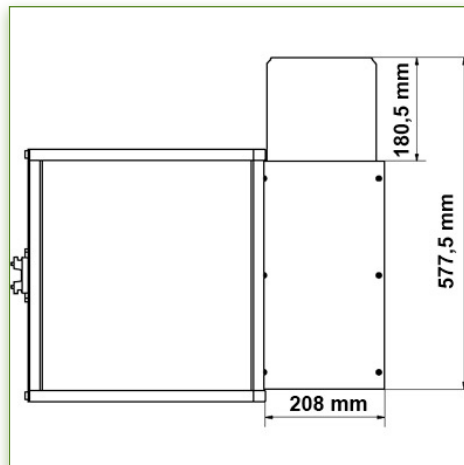
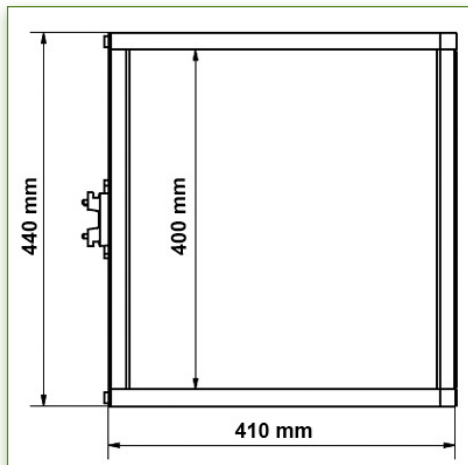
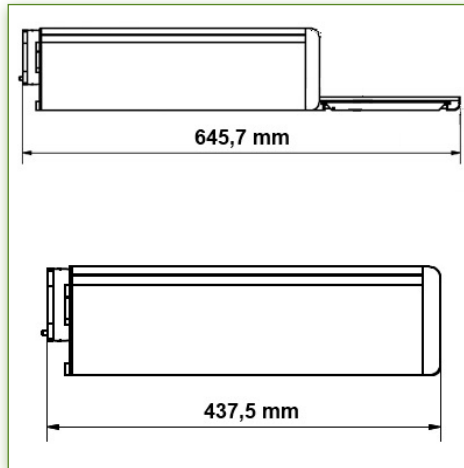
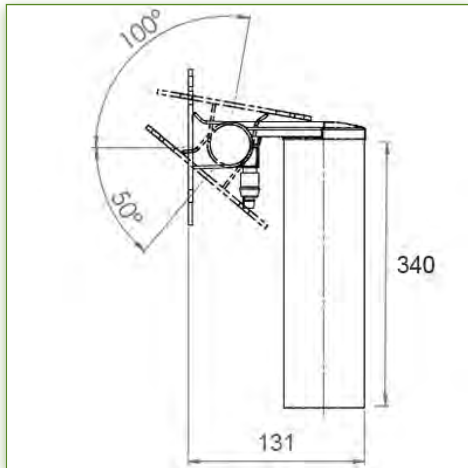
000.995.866

Graphite Grey and White

On Measure

= Depending on the elements

995.866



Anti-bacterial properties:

IT medical arms are now designed with Microban antibacterial protection, a revolutionary treatment that guarantees optimal hygiene. IT medical arms integrate Microban and other antibacterial agents into all medical products. It inhibits the growth of bacteria of all types. This is not a surface treatment. It is 100% in the totality of the product. It does not alter the physico-mechanical properties of the medical arm lift system. Simulations over 30 years show that 100% of the antibacterial properties are maintained. All medical articulated arms incorporate Microban. Microban is the world's leading provider of anti-bacterial solutions. It has been successfully applied for more than 35 years in a wide range of products used in the hospital, construction and food industries.

Medical Monitor arms mounting on Din Rail Vertical

Optional Accessories

OVERVIEW



Single drawer
Mounting on Din Vertical rail

Part Number: 995.149



Din Rail 10 x 25 mm.
Length 300 mm.

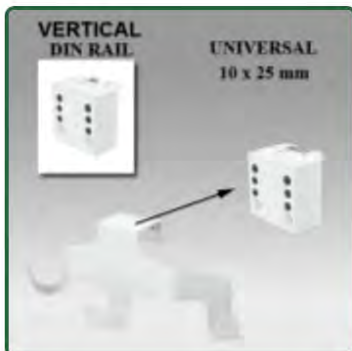
Part Number: 999.150



Drawer with Keyboard Holder
Mounting on
Din Vertical rail

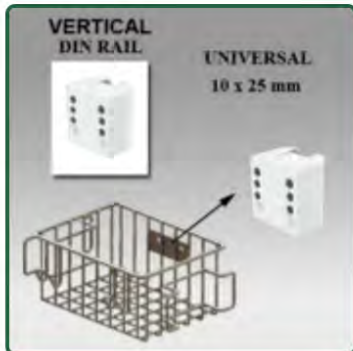
Part Number: 995.151

If you don't find the right accessory for you, do not hesitate to contact us, we will help you in your search



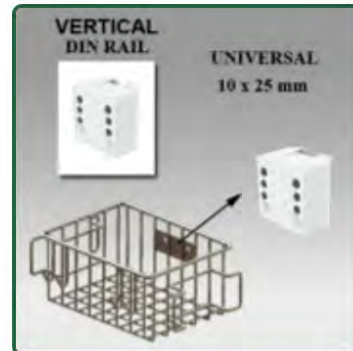
Triple cable hooks, mounting
on DIN Vertical rail

Part Number: 995.157



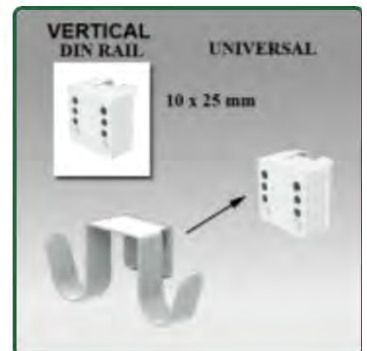
Large Service Basket
Mounting on Din rail Vertical

RéférencePart Number



Small Service Basket
Mounting on Din rail Vertical

Part Number: 995.155



Double cable hooks mounting
Vertical rail

Part Number: 995.156

Medical Monitor arms mounting on Din Rail Vertical Optional Accessories OVERVIEW



Universal Stand, Adjustable
35-57 mm
Mounting on
Din Vertical rail
Part Number: 995.163



Universal Stand, Adjustable
48-63 mm
Mounting on
Din Vertical rail
Part Number: 995.164



Power supply stand
Mounting on Din Vertical rail
Part Number: 995.165



Electrical power supply box
255 x 96 x 65 mm Mounting
on Din Vertical rail
Part Number: 995.166



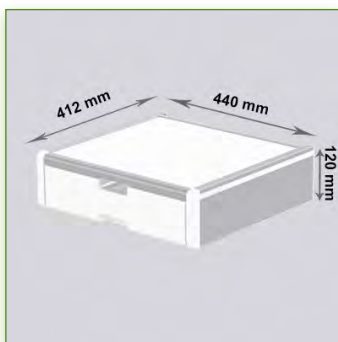
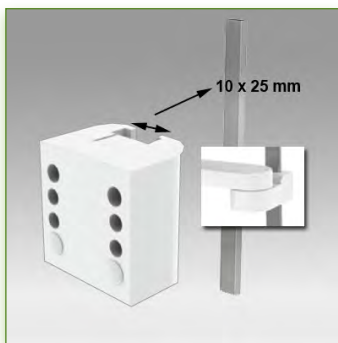
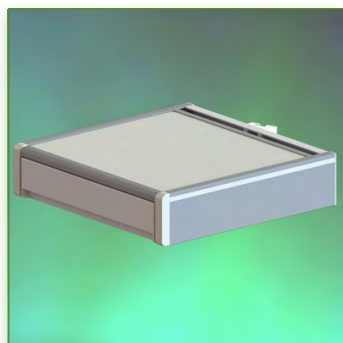
Electrical power supply box
255 x 115 x 85 mm Din rail
mounting Vertical
Part Number: 995.167



Electrical power supply box
255 x 165 x 85 mm Mounting
on Din Vertical rail
Part Number: 995.168



Holder for barcode hand
shower
Part Number: 995.169



Single drawer
 Mounting on Din Vertical rail
 Part Number: 995.149

Do not hesitate to contact us if you have any questions about this product.

Warranty: 5 years

000.995.149

Graphite Grey and White

On Measure

= Depending on the elements

995.149

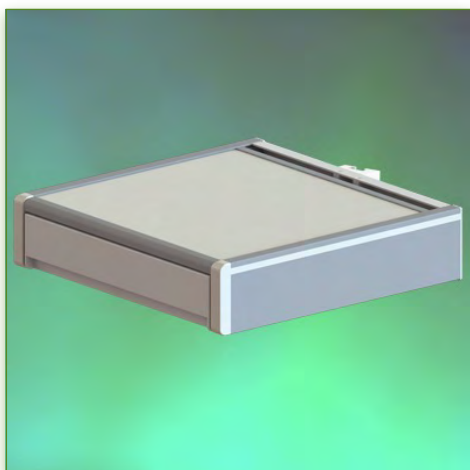
Single drawer Vertical Din rail 10 x 25 mm universal mount

A work surface with additional storage space and a sliding drawer.

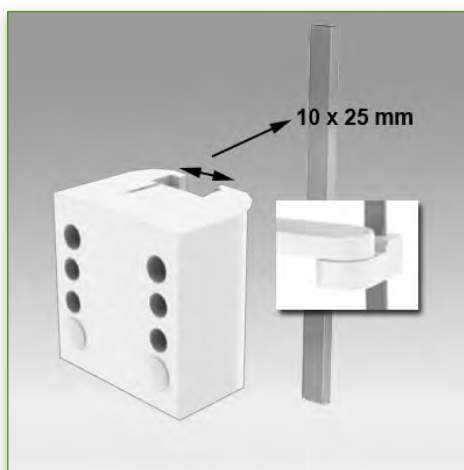
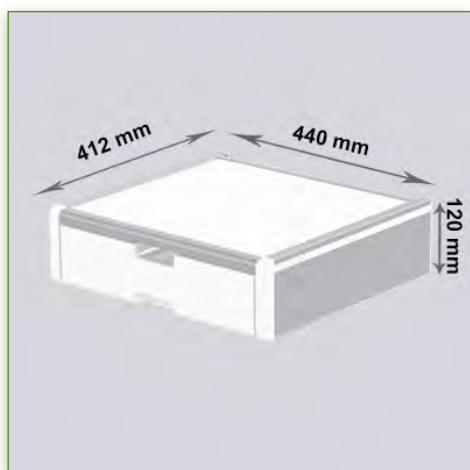
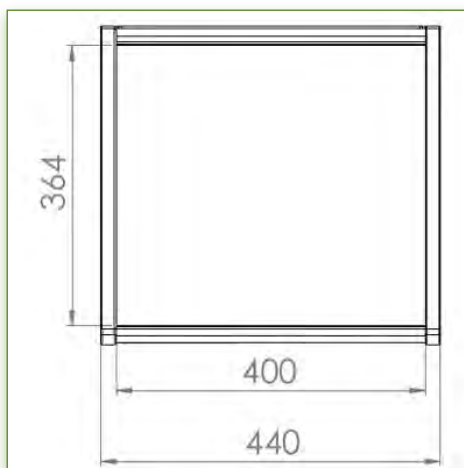
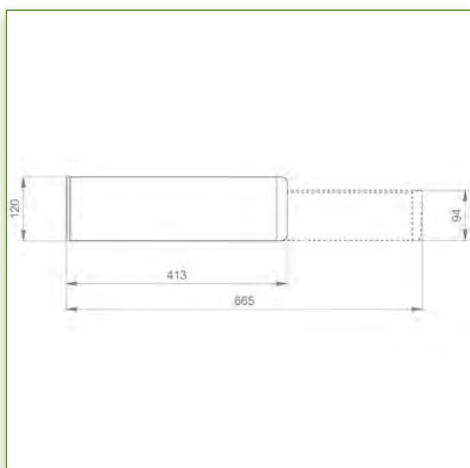
It is coated with an anti-microbial agent offering hygiene and cleaning down to the last detail. Its modern design has been specially designed for healthcare environments.

Technical specifications:

- * Integrated cable channel
- * Mounting on Din Vertical Rail 10 x 25 mm adapter included (10 x 25 mm)
- * Weight Supported by the drawer: 25 Kg
- * Working area 440 x 412 mm
- * Internal sliding drawer dimensions: 364 x 400 mm
- * Anodized, HPL and ABS (= anti-scratch, shock and scratch resistant) disinfectants)
- * Colour RAL 7024 (Graphite grey)
- * All our medical arms are in conformity: CE, ROHS, Medical Grade, Regulations MDD 93/42 ECC.
- * Warranty: 5 years



Single drawer
Mounting on Din Vertical rail
Part Number: 995.149



Do not hesitate to contact us if you have any questions about this product.

Warranty: 5 years

000.995.149

Graphite Grey and White

On Measure

= Depending on the elements

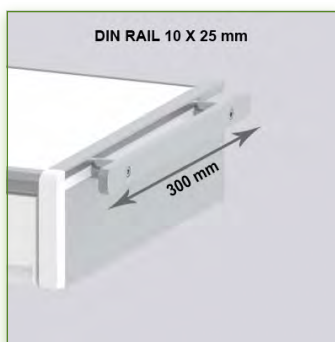
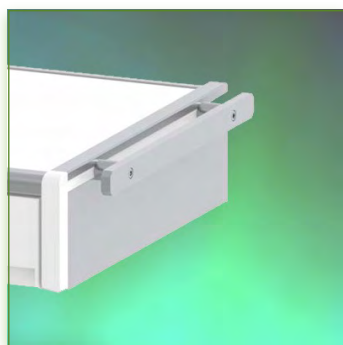
995.149

Anti-bacterial properties:

IT medical arms are now designed with Microban antibacterial protection, a revolutionary treatment that guarantees optimal hygiene. IT medical arms integrate Microban and other antibacterial agents into all medical products. It inhibits the growth of bacteria of all types. This is not a surface treatment.

It is 100% in the totality of the product. It does not alter the physico-mechanical properties of the medical arm lift system. Simulations over 30 years show that 100% of the antibacterial properties are maintained.

All medical articulated arms incorporate Microban. Microban is the world's leading provider of anti-bacterial solutions. It has been successfully applied for more than 35 years in a wide range of products used in the hospital, construction and food industries.



Din Rail 10 x 25 mm.
 Length 300 mm.

Part Number: 999.150



Do not hesitate to contact us if you have any questions about this product.



Warranty: 5 years



000.999.150



Graphite Grey and White



On Measure



= Depending on the elements



999.150

Din Rail 10 x 25 mm. Length 300 mm. To mount on the sides of a console monitor or drawer.

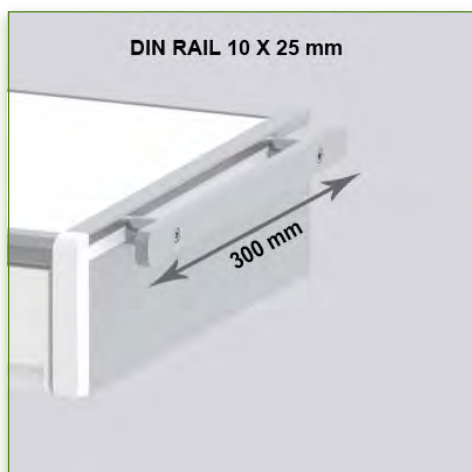
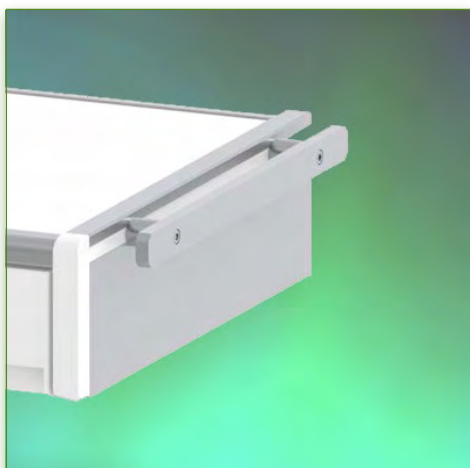
This Din Rail Horizontal adapter allows the fixing of all the elements having the Din Rail Horizontal interface and in particular the accessories.

Ideal complement when no Din Rails are available or absent. To mount on the sides of a console screen or drawer.

It is coated with an anti-microbial agent offering hygiene and cleaning down to the last detail. Its modern design has been specially designed for healthcare environments.

Technical specifications:

- * Length 300 mm
- * Mounting on the sides of a drawer or console screen left or right
- * Colour RAL 7024 (Graphite grey)
- * All our medical arms are in conformity:
 CE, ROHS, Medical Grade, Regulations MDD 93/42 ECC.
- * Warranty: 5 years



Din Rail 10 x 25 mm.
Length 300 mm.

Part Number: 999.150



Medical Grade



Do not hesitate to contact us if you have any questions about this product.



Warranty: 5 years



000.999.150



Graphite Grey and White



On Measure



= Depending on the elements



999.150

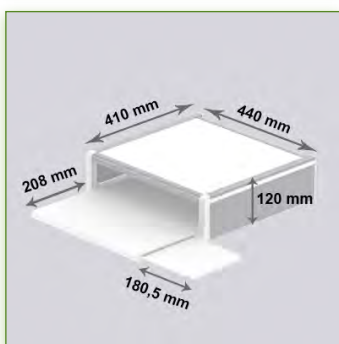
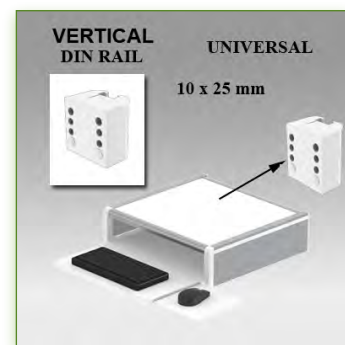
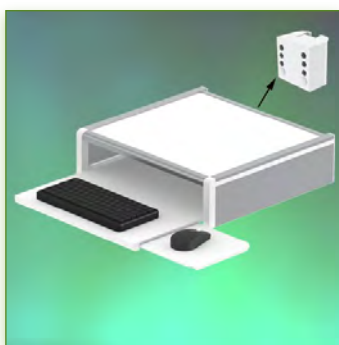
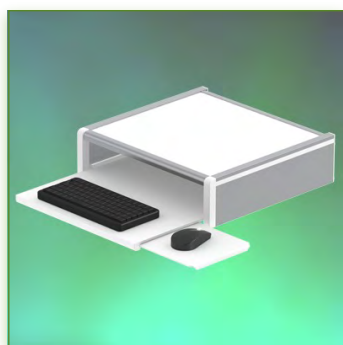
Anti-bacterial properties:

IT medical arms are now designed with Microban antibacterial protection, a revolutionary treatment that guarantees optimal hygiene. IT medical arms integrate Microban and other antibacterial agents into all medical products. It inhibits the growth of bacteria of all types. This is not a surface treatment.

It is 100% in the totality of the product.

It does not alter the physico-mechanical properties of the medical arm lift system. Simulations over 30 years show that 100% of the antibacterial properties are maintained.

All medical articulated arms incorporate Microban. Microban is the world's leading provider of anti-bacterial solutions. It has been successfully applied for more than 35 years in a wide range of products used in the hospital, construction and food industries.



Drawer with Keyboard Holder
 Mounting on
 Din Vertical rail
 Part Number: 995.151



Do not hesitate to contact us if you have any questions about this product.



Warranty: 5 years



000.995.151



Graphite Grey and White



On Measure



= Depending on the elements



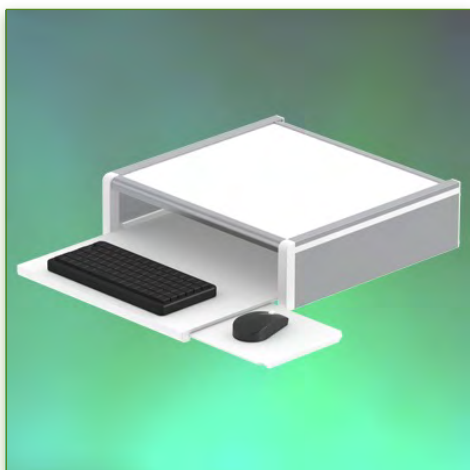
995.151

Drawer Keyboard Stand, Vertical Din Rail 10 x 25 mm Universal Mount

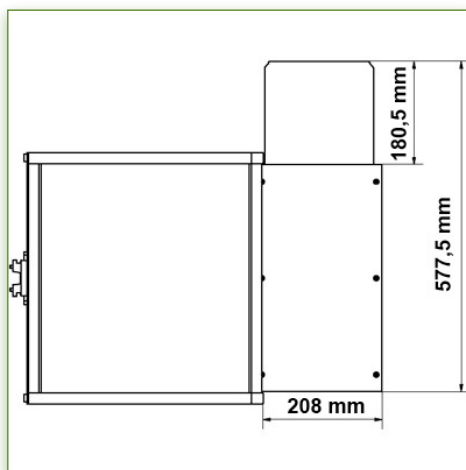
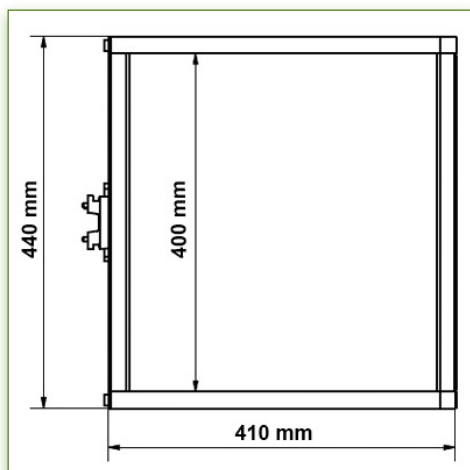
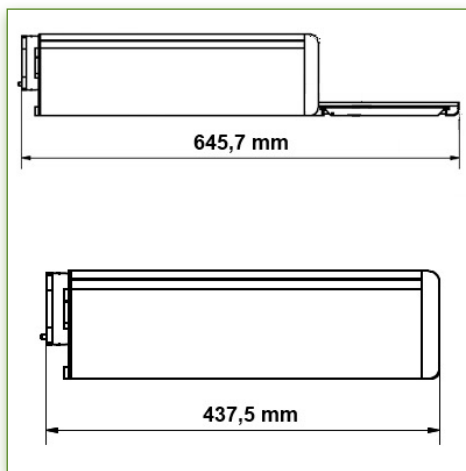
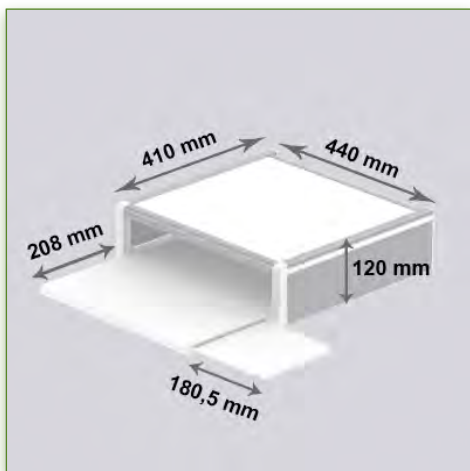
A work surface with additional storage space with integrated keyboard and mouse support. It is coated with an anti-microbial agent offering hygiene and cleaning down to the last detail. Its modern design has been specially designed for healthcare environments.

Technical specifications:

- * Integrated cable channel
- * Mounting on Din Vertical Rail 10 x 25 mm adapter included (10 x 25 mm)
- * Weight Supported by the drawer: 25 Kg
- * Working area 440 x 412 mm
- * Sliding mouse holder (right/left) with a usable mouse surface of 180.5 x 208 mm
- * Keyboard holder with 259.5 x 208 mm usable area
- * Anodized, HPL and ABS (= anti-scratch, shock and scratch resistant) disinfectants)
- * Colour RAL 7024 (Graphite grey)
 - * All our medical arms are in conformity: CE, ROHS, Medical Grade, Regulations MDD 93/42 ECC.
- * Warranty: 5 years



Drawer with Keyboard Holder
 Mounting on
 Din Vertical rail
 Part Number: 995.151

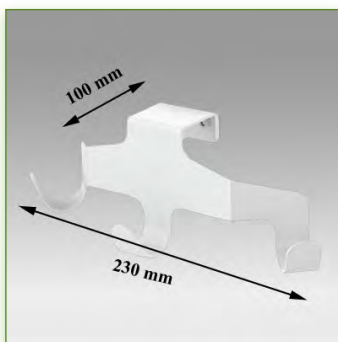
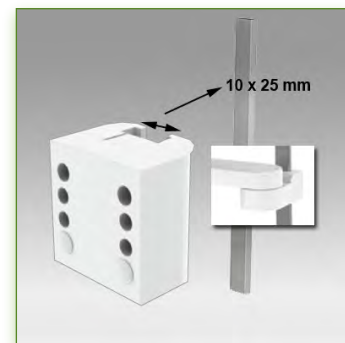
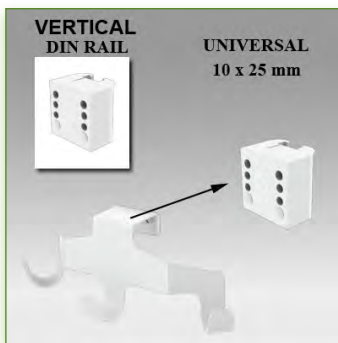


Do not hesitate to contact us if you have any questions about this product.

- Warranty: 5 years
- 000.995.151
- Graphite Grey and White
- On Measure
- = Depending on the elements
- 995.151

Anti-bacterial properties:

IT medical arms are now designed with Microban antibacterial protection, a revolutionary treatment that guarantees optimal hygiene. IT medical arms integrate Microban and other antibacterial agents into all medical products. It inhibits the growth of bacteria of all types. This is not a surface treatment. It is 100% in the totality of the product. It does not alter the physico-mechanical properties of the medical arm lift system. Simulations over 30 years show that 100% of the antibacterial properties are maintained. All medical articulated arms incorporate Microban. Microban is the world's leading provider of anti-bacterial solutions. It has been successfully applied for more than 35 years in a wide range of products used in the hospital, construction and food industries.



Triple cable hooks, mounting on DIN Vertical rail
 Part Number: 995.157



Do not hesitate to contact us if you have any questions about this product.



Warranty: 5 years



000.995.157



Graphite Grey



On Measure



= Depending on the elements



995.157

Triple cable hooks Vertical Din Rail 10 x 25 mm Universal Mount

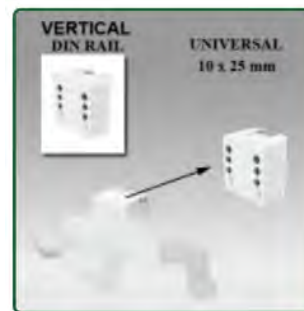
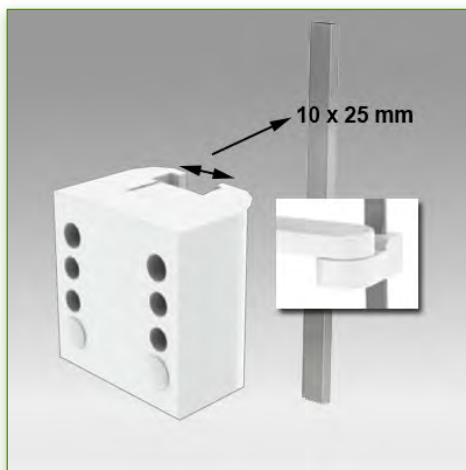
This cable hook with its vertical wall rail mounting interface is the ideal complement when certain cables that are too long have to be suspended.

It is coated with an anti-microbial agent offering hygiene and cleaning down to the last detail. Its modern design has been specially designed for healthcare environments.

Technical specifications:

- * Mounting on Din Vertical Rail 10 x 25 mm adapter included (10 x 25 mm)
- * Hook for cable with three pins
- * Length 230 mm
- * Colour RAL 7024 (Graphite grey)
- * All our medical arms are in conformity: CE, ROHS, Medical Grade, Regulations MDD 93/42 ECC.

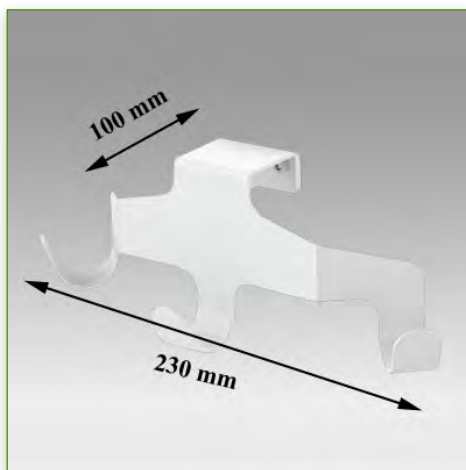
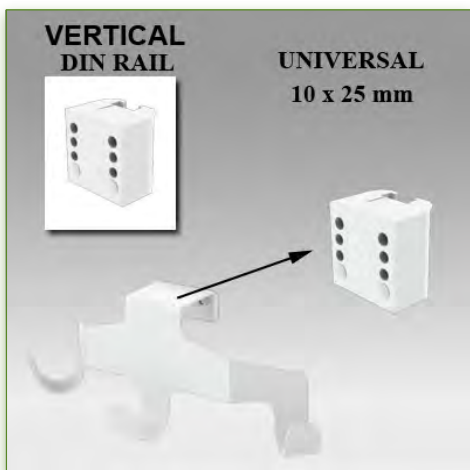
Warranty: 5 years



Triple cable hooks, mounting on DIN Vertical rail
Part Number: 995.157



Medical Grade



Do not hesitate to contact us if you have any questions about this product.



Warranty: 5 years



000.995.157



Graphite Grey



On Measure



= Depending on the elements



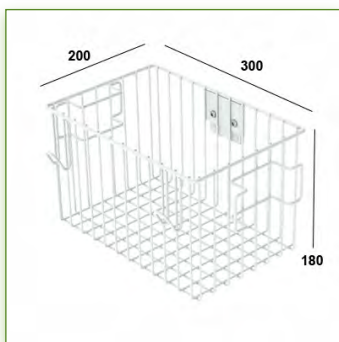
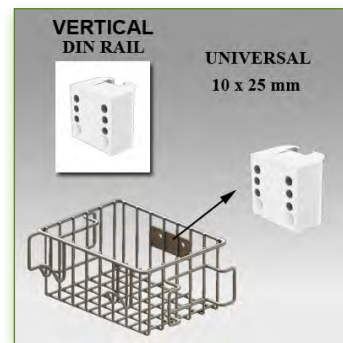
995.157

Anti-bacterial properties:

IT medical arms are now designed with Microban antibacterial protection, a revolutionary treatment that guarantees optimal hygiene. IT medical arms integrate Microban and other antibacterial agents into all medical products. It inhibits the growth of bacteria of all types. This is not a surface treatment. It is 100% in the totality of the product.

It does not alter the physico-mechanical properties of the medical arm lift system. Simulations over 30 years show that 100% of the antibacterial properties are maintained.

All medical articulated arms incorporate Microban. Microban is the world's leading provider of anti-bacterial solutions. It has been successfully applied for more than 35 years in a wide range of products used in the hospital, construction and food industries.



Large Service Basket
Mounting on Din rail Vertical
RéférencePart Number



Do not hesitate to contact us if you have any questions about this product.



Warranty: 5 years



000.995.154



Anodised aluminium



On Measure



= Depending on the elements



995.154

Large service basket 200 x 300 x 180 mm Vertical Din Rail 10 x 25 mm Universal Mount

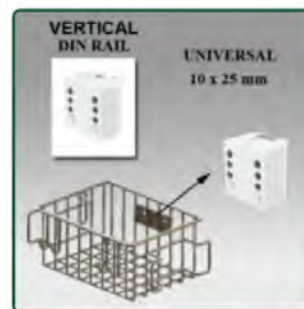
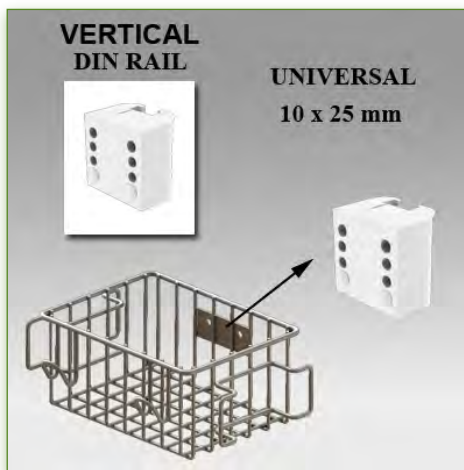
Large service basket in anodised aluminium.

Its open structure allows direct access to its contents.

It is coated with an anti-microbial agent offering hygiene and cleaning down to the last detail. Its modern design has been specially designed for healthcare environments.

Technical specifications:

- * Mounting on Din Vertical Rail 10 x 25 mm adapter included (10 x 25 mm)
- * Dimensions: 180 x 300 x 200 mm
- * Colour Anodised aluminium
- * All our medical arms are in conformity: CE, ROHS, Medical Grade, Regulations MDD 93/42 ECC.
- * Warranty: 5 years

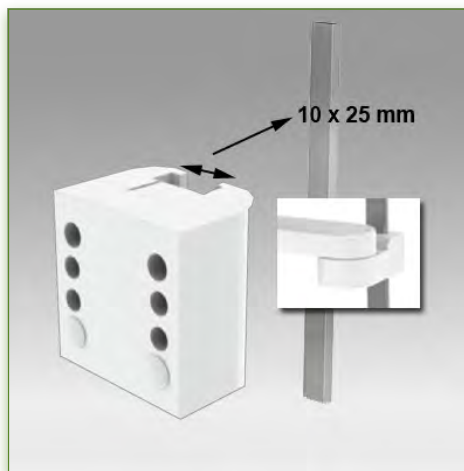


Large Service Basket
Mounting on Din rail Vertical

RéférencePart Number



Medical Grade



Do not hesitate to contact us if you have any questions about this product.



Warranty: 5 years



000.995.154



Anodised aluminium



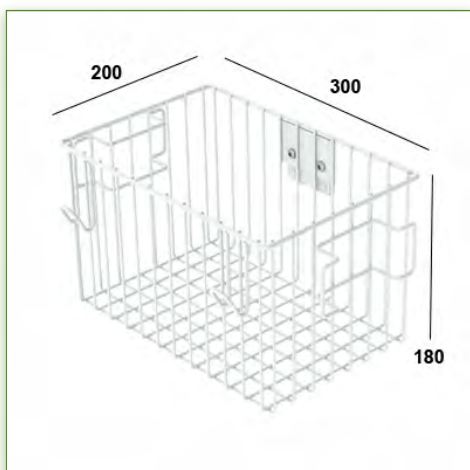
On Measure



= Depending on the elements

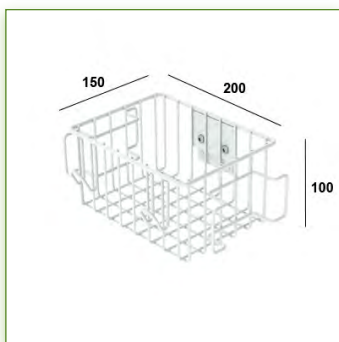
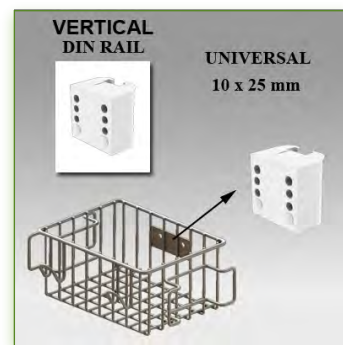
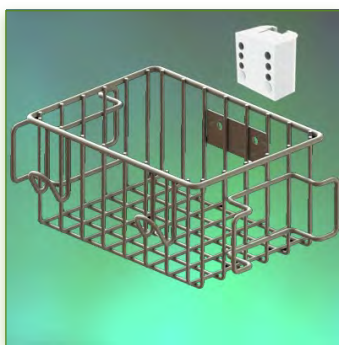


995.154



Anti-bacterial properties:

IT medical arms are now designed with Microban antibacterial protection, a revolutionary treatment that guarantees optimal hygiene. IT medical arms integrate Microban and other antibacterial agents into all medical products. It inhibits the growth of bacteria of all types. This is not a surface treatment. It is 100% in the totality of the product. It does not alter the physico-mechanical properties of the medical arm lift system. Simulations over 30 years show that 100% of the antibacterial properties are maintained. All medical articulated arms incorporate Microban. Microban is the world's leading provider of anti-bacterial solutions. It has been successfully applied for more than 35 years in a wide range of products used in the hospital, construction and food industries.



Small Service Basket
Mounting on Din rail Vertical
Part Number: 995.155



Do not hesitate to contact us if you have any questions about this product.



Warranty: 5 years



000.995.155



Anodised aluminium



On Measure



= Depending on the elements



995.155

Small service basket 100 x 150 x 200 mm Vertical Din Rail 10 x 25 mm Universal Mount

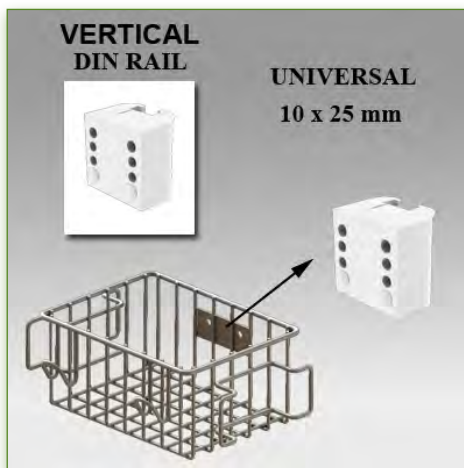
Small service basket in anodized aluminium.

Its open structure allows direct access to its contents.

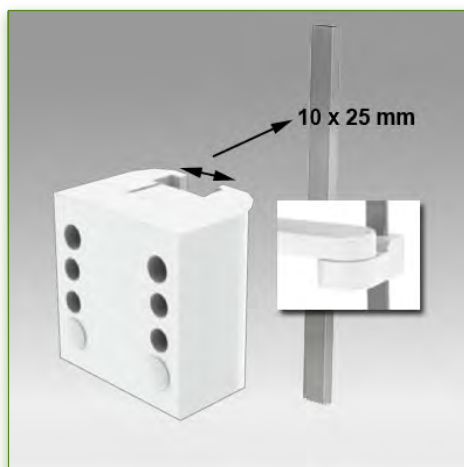
It is coated with an anti-microbial agent offering hygiene and cleaning down to the last detail. Its modern design has been specially designed for healthcare environments.

Technical specifications:

- * Mounting on Din Vertical Rail 10 x 25 mm adapter included (10 x 25 mm)
- * Dimensions: 100 x 150 x 200 mm
- * Colour Anodised aluminium
- * All our medical arms are in conformity: CE, ROHS, Medical Grade, Regulations MDD 93/42 ECC.
- * Warranty: 5 years



Small Service Basket
Mounting on Din rail Vertical
Part Number: 995.155



Do not hesitate to contact us if you have any questions about this product.



Warranty: 5 years



000.995.155



Anodised aluminium



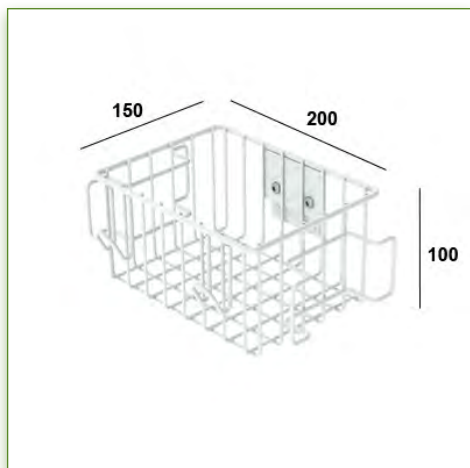
On Measure



= Depending on the elements

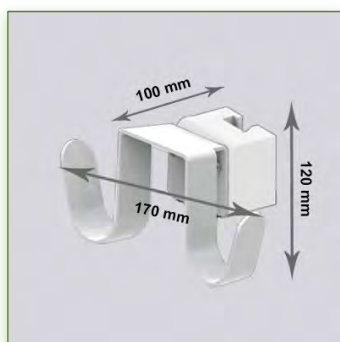
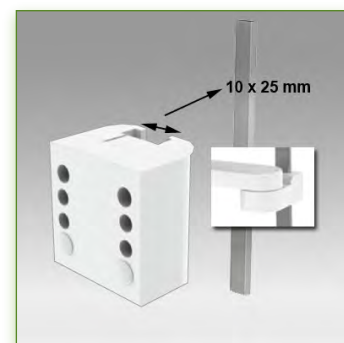
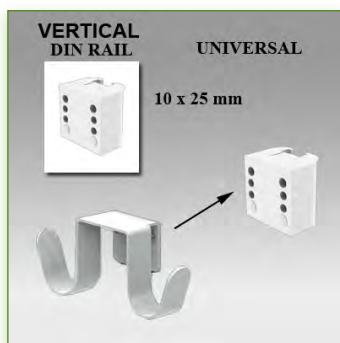


995.155



Anti-bacterial properties:

IT medical arms are now designed with Microban antibacterial protection, a revolutionary treatment that guarantees optimal hygiene. IT medical arms integrate Microban and other antibacterial agents into all medical products. It inhibits the growth of bacteria of all types. This is not a surface treatment. It is 100% in the totality of the product. It does not alter the physico-mechanical properties of the medical arm lift system. Simulations over 30 years show that 100% of the antibacterial properties are maintained. All medical articulated arms incorporate Microban. Microban is the world's leading provider of anti-bacterial solutions. It has been successfully applied for more than 35 years in a wide range of products used in the hospital, construction and food industries.



Double cable hooks mounting
Vertical rail
Part Number: 995.156

Do not hesitate to contact us if you have any questions about this product.

Warranty: 5 years

000.995.156

Graphite Grey

On Measure

= Depending on the elements

995.156

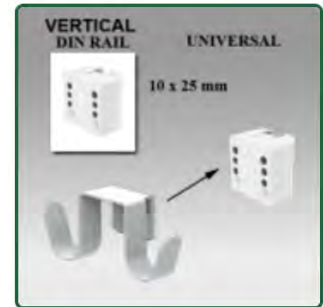
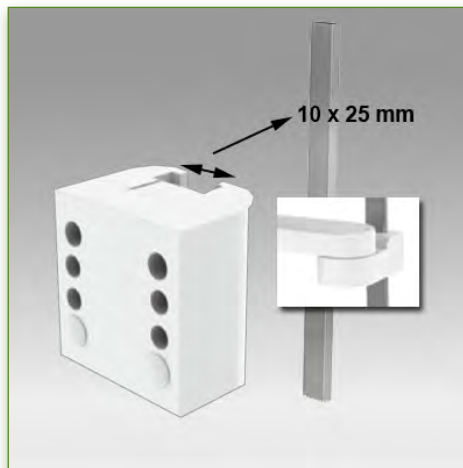
Double cable hooks Vertical Din Rail 10 x 25 mm Universal Mount

This cable hook with its vertical wall rail mounting interface is the ideal complement when certain cables that are too long have to be suspended.

It is coated with an anti-microbial agent offering hygiene and cleaning down to the last detail. Its modern design has been specially designed for healthcare environments.

Technical specifications:

- * Mounting on Din Vertical Rail 10 x 25 mm adapter included (10 x 25 mm)
- * Cable hook with two pins
- * Length 170 mm
- * Colour RAL 7024 (Graphite grey)
- * All our medical arms are in conformity: CE, ROHS, Medical Grade, Regulations MDD 93/42 ECC.
- * Warranty: 5 years

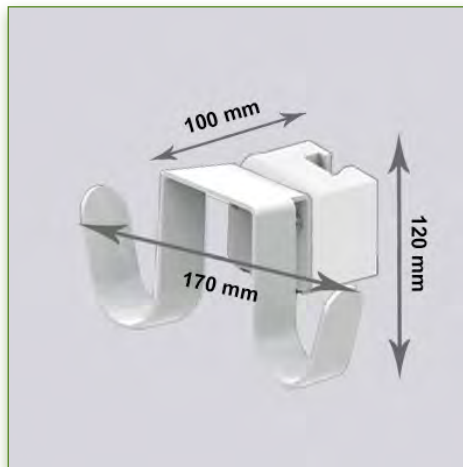
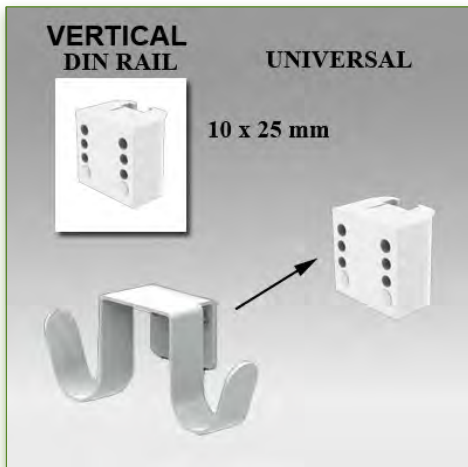


Double cable hooks mounting Vertical rail

Part Number: 995.156



Medical Grade



Do not hesitate to contact us if you have any questions about this product.



Warranty: 5 years



000.995.156



Graphite Grey



On Measure



= Depending on the elements



995.156

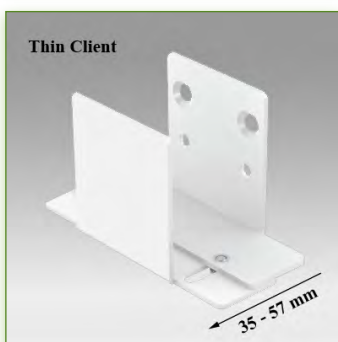
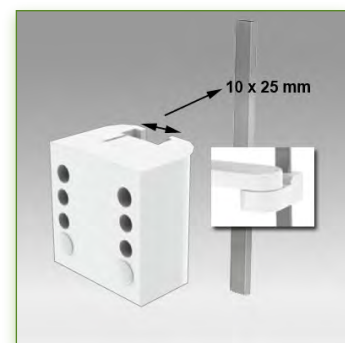
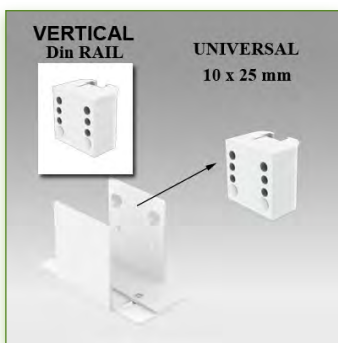
Anti-bacterial properties:

IT medical arms are now designed with Microban antibacterial protection, a revolutionary treatment that guarantees optimal hygiene. IT medical arms integrate Microban and other antibacterial agents into all medical products. It inhibits the growth of bacteria of all types. This is not a surface treatment.

It is 100% in the totality of the product.

It does not alter the physico-mechanical properties of the medical arm lift system. Simulations over 30 years show that 100% of the antibacterial properties are maintained.

All medical articulated arms incorporate Microban. Microban is the world's leading provider of anti-bacterial solutions. It has been successfully applied for more than 35 years in a wide range of products used in the hospital, construction and food industries.



Universal Stand, Adjustable
 35-57 mm
 Mounting on
 Din Vertical rail
 Part Number: 995.163



Do not hesitate to contact us if you have any questions about this product.



Warranty: 5 years



000.995.163



Graphite Grey



On Measure



= Depending on the elements



995.163

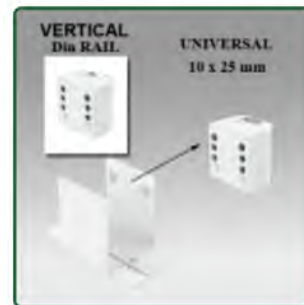
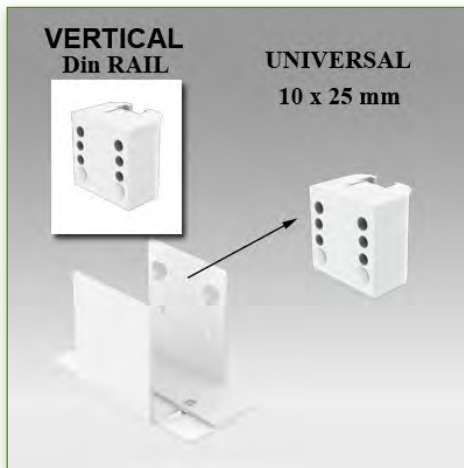
Adjustable 35-57 mm Universal Holder, Vertical Din Rail 10 x 25 mm Universal Mount

This universal adjustable width and height support is suitable for the majority of small machines on the market.

It is coated with an anti-microbial agent offering hygiene and cleaning down to the last detail. Its modern design has been specially designed for healthcare environments.

Technical specifications:

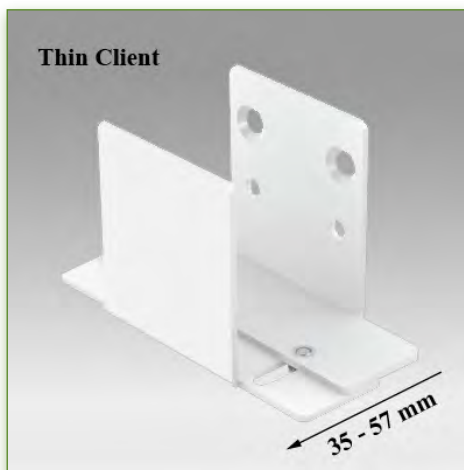
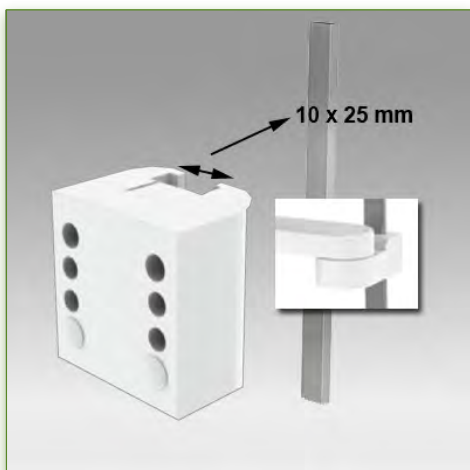
- * Mounting on Din Vertical Rail 10 x 25 mm adapter included (10 x 25 mm)
- * Adjustable in height according to the length of the din rail
- * Adjustable width from 35 to 57 mm
- * Colour RAL 7024 (Graphite grey)
- * All our medical arms are in conformity: CE, ROHS, Medical Grade, Regulations MDD 93/42 ECC.
- * Warranty: 5 years



Universal Stand, Adjustable
 35-57 mm
 Mounting on
 Din Vertical rail
 Part Number: 995.163



Medical Grade



Do not hesitate to contact us if you have any questions about this product.



Warranty: 5 years



000.995.163



Graphite Grey



On Measure



= Depending on the elements



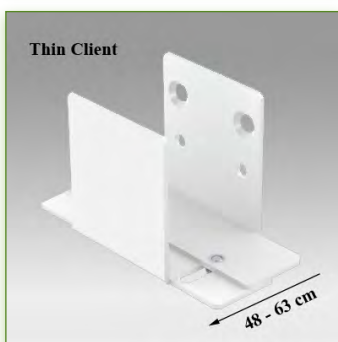
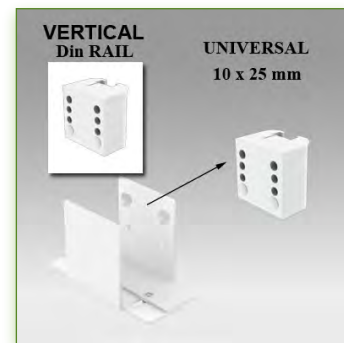
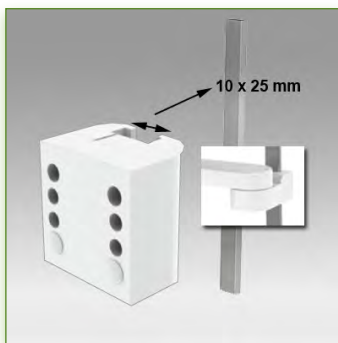
995.163

Anti-bacterial properties:

IT medical arms are now designed with Microban antibacterial protection, a revolutionary treatment that guarantees optimal hygiene. IT medical arms integrate Microban and other antibacterial agents into all medical products. It inhibits the growth of bacteria of all types. This is not a surface treatment.

It is 100% in the totality of the product. It does not alter the physico-mechanical properties of the medical arm lift system. Simulations over 30 years show that 100% of the antibacterial properties are maintained.

All medical articulated arms incorporate Microban. Microban is the world's leading provider of anti-bacterial solutions. It has been successfully applied for more than 35 years in a wide range of products used in the hospital, construction and food industries.



Universal Stand, Adjustable
 48-63 mm
 Mounting on
 Din Vertical rail
 Part Number: 995.164



Do not hesitate to contact us if you have any questions about this product.



Warranty: 5 years



000.995.164



Graphite Grey



On Measure



= Depending on the elements



995.164

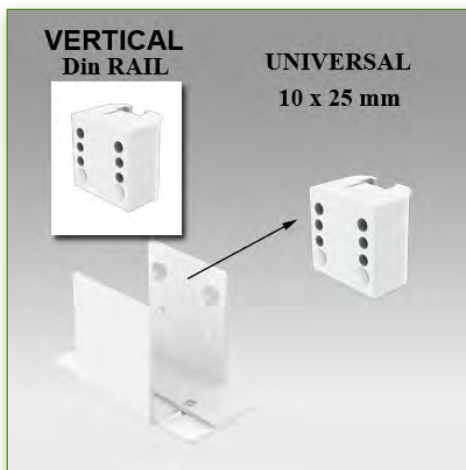
Adjustable 48-63 mm Universal Holder, Vertical Din Rail 10 x 25 mm Universal Mount

This universal adjustable width and height support is suitable for the majority of small machines on the market.

It is coated with an anti-microbial agent offering hygiene and cleaning down to the last detail. Its modern design has been specially designed for healthcare environments.

Technical specifications:

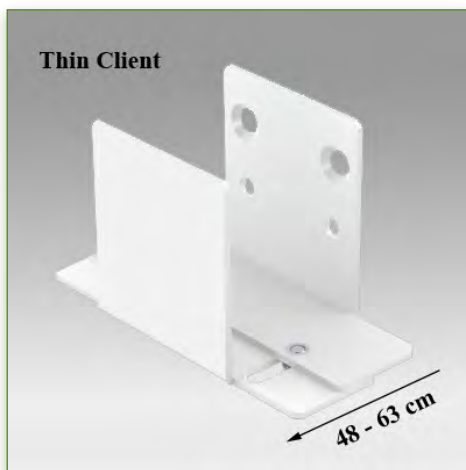
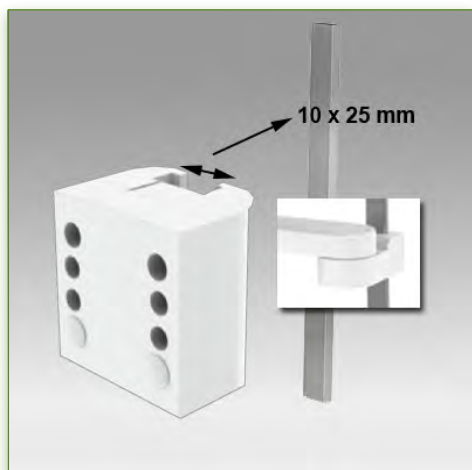
- * Mounting on Din Vertical Rail 10 x 25 mm adapter included (10 x 25 mm)
- * Adjustable in height according to the length of the din rail
- * Adjustable width from 48 to 63 mm
- * Colour RAL 7024 (Graphite grey)
- * All our medical arms are in conformity: CE, ROHS, Medical Grade, Regulations MDD 93/42 ECC.
- * Warranty: 5 years



Universal Stand, Adjustable
 48-63 mm
 Mounting on
 Din Vertical rail
 Part Number: 995.164



Medical Grade



Do not hesitate to contact us if you have any questions about this product.



Warranty: 5 years



000.995.164



Graphite Grey



On Measure



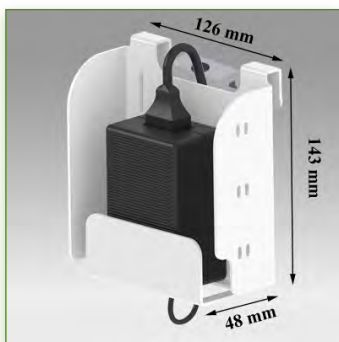
= Depending on the elements



995.164

Anti-bacterial properties:

IT medical arms are now designed with Microban antibacterial protection, a revolutionary treatment that guarantees optimal hygiene. IT medical arms integrate Microban and other antibacterial agents into all medical products. It inhibits the growth of bacteria of all types. This is not a surface treatment. It is 100% in the totality of the product. It does not alter the physico-mechanical properties of the medical arm lift system. Simulations over 30 years show that 100% of the antibacterial properties are maintained. All medical articulated arms incorporate Microban. Microban is the world's leading provider of anti-bacterial solutions. It has been successfully applied for more than 35 years in a wide range of products used in the hospital, construction and food industries.



Power supply stand
 Mounting on Din Vertical rail

Part Number: 995.165



Do not hesitate to contact us if you have any questions about this product.



Warranty: 5 years



000.995.165



Graphite Grey



On Measure



= Depending on the elements



995.165

Holder Power supply 126 x 143 48 mm Vertical Din Rail 10 x 25 mm Universal Mount

Anodized aluminum power supply storage holder.

It is coated with an anti-microbial agent offering hygiene and cleaning down to the last detail. Its modern design has been specially designed for healthcare environments.

Technical specifications:

- * Mounting on Din Vertical Rail 10 x 25 mm adapter included (10 x 25 mm)
- * Suitable for most power supplies on the market
- * Dimensions: 143 x 126 x 48 mm
- * Colour RAL 7024 (Graphite grey)
- * All our medical arms are in conformity: CE, ROHS, Medical Grade, Regulations MDD 93/42 ECC.
- * Warranty: 5 years

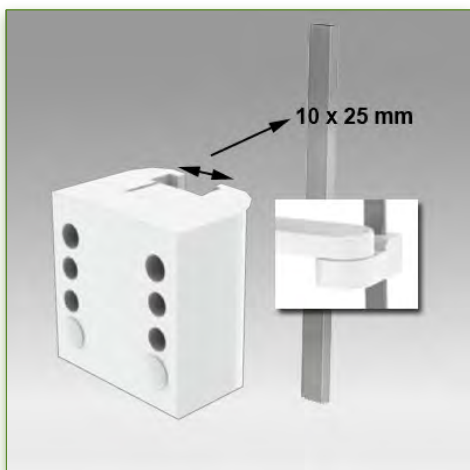


Power supply stand
Mounting on Din Vertical rail

Part Number: 995.165



Medical Grade



Do not hesitate to contact us if you have any questions about this product.



Warranty: 5 years



000.995.165



Graphite Grey



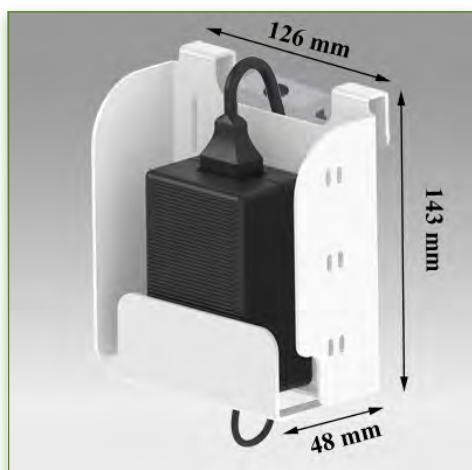
On Measure



= Depending on the elements



995.165

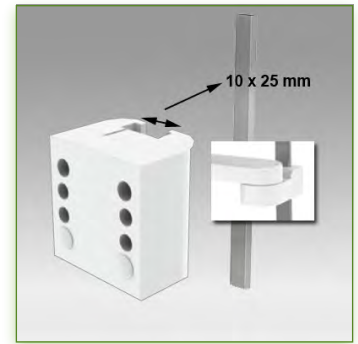
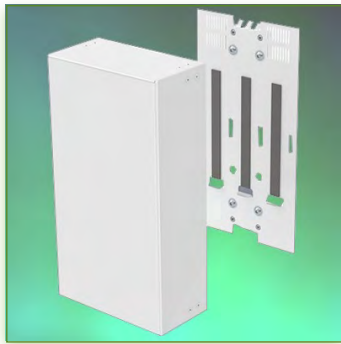


Anti-bacterial properties:

IT medical arms are now designed with Microban antibacterial protection, a revolutionary treatment that guarantees optimal hygiene. IT medical arms integrate Microban and other antibacterial agents into all medical products. It inhibits the growth of bacteria of all types. This is not a surface treatment.

It is 100% in the totality of the product. It does not alter the physico-mechanical properties of the medical arm lift system. Simulations over 30 years show that 100% of the antibacterial properties are maintained.

All medical articulated arms incorporate Microban. Microban is the world's leading provider of anti-bacterial solutions. It has been successfully applied for more than 35 years in a wide range of products used in the hospital, construction and food industries.



Electrical power supply box
 255 x 96 x 65 mm Mounting
 on Din Vertical rail

Part Number: 995.166



Do not hesitate to contact us if you have any questions about this product.



Warranty: 5 years



000.995.166



Graphite grey



On Measure



= Depending on the elements



995.166

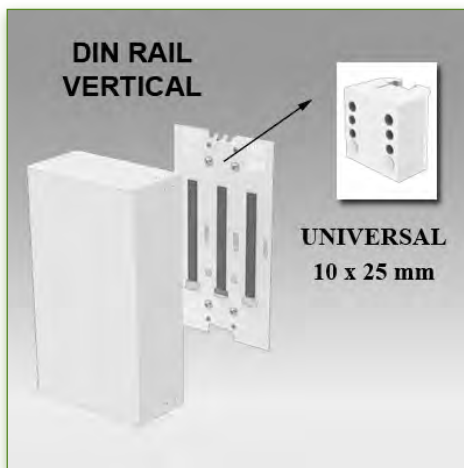
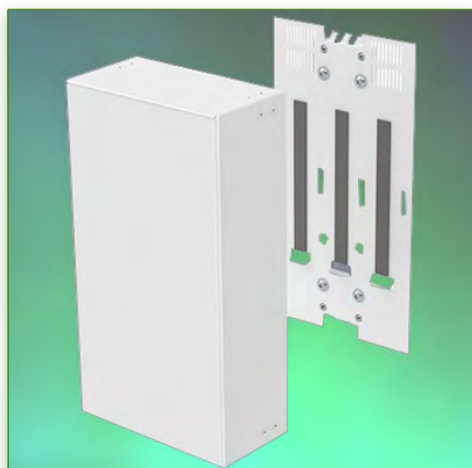
Power supply housing 255 x 96 x 65 mm Vertical Din Rail 10 x 25 mm
Universal Mount

Storage housing for anodised aluminium power supply.

It is coated with an anti-microbial agent offering hygiene and cleaning down to the last detail. Its modern design has been specially designed for healthcare environments.

Technical specifications:

- * Mounting on Din Vertical Rail 10 x 25 mm adapter included (10 x 25 mm)
- * Suitable for most power supplies on the market
- * Dimensions: 255 x 96 x 65 mm
- * Housing ventilated through ventilation holes to prevent overheating
- * Designed for one power supply
- * Colour RAL 7024 (Graphite grey)
- * All our medical arms are in conformity: CE, ROHS, Medical Grade, Regulations MDD 93/42 ECC.
- * Warranty: 5 years

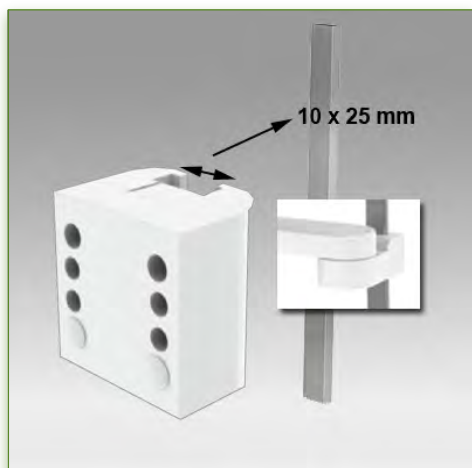


Electrical power supply box
255 x 96 x 65 mm Mounting
on Din Vertical rail

Part Number: 995.166



Medical Grade



Do not hesitate to contact us if you have any questions about this product.



Warranty: 5 years



000.995.166



Graphite grey



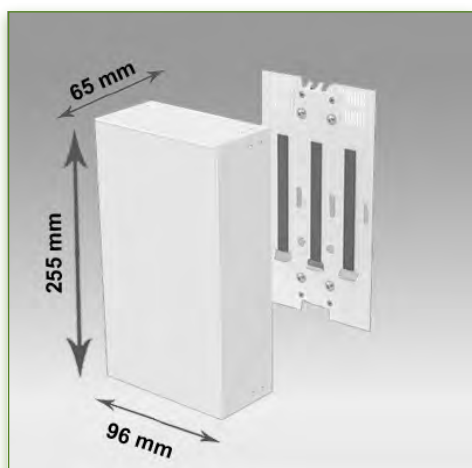
On Measure



= Depending on the elements



995.166



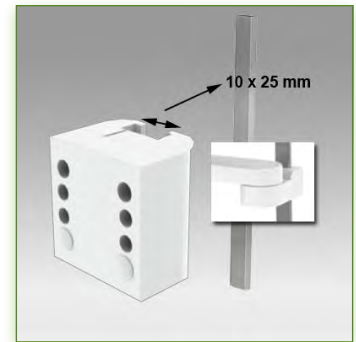
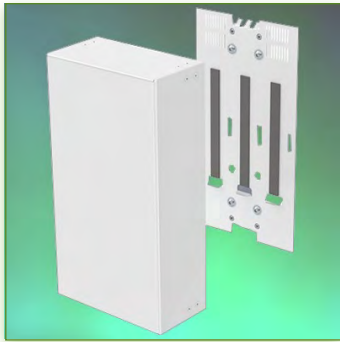
Anti-bacterial properties:

IT medical arms are now designed with Microban antibacterial protection, a revolutionary treatment that guarantees optimal hygiene. IT medical arms integrate Microban and other antibacterial agents into all medical products. It inhibits the growth of bacteria of all types. This is not a surface treatment.

It is 100% in the totality of the product.

It does not alter the physico-mechanical properties of the medical arm lift system. Simulations over 30 years show that 100% of the antibacterial properties are maintained.

All medical articulated arms incorporate Microban. Microban is the world's leading provider of anti-bacterial solutions. It has been successfully applied for more than 35 years in a wide range of products used in the hospital, construction and food industries.



Electrical power supply box
 255 x 115 x 85 mm Din rail
 mounting Vertical
 Part Number: 995.167

Power supply housing 255 x 115 x 85 mm Vertical Din Rail 10 x 25 mm
Universal Mount

Storage housing for anodised aluminium power supply.

It is coated with an anti-microbial agent offering hygiene and cleaning down to the last detail. Its modern design has been specially designed for healthcare environments.

Technical specifications:

- * Mounting on Din Vertical Rail 10 x 25 mm adapter included (10 x 25 mm)
- * Suitable for most power supplies on the market
- * Dimensions: 255 x 115 x 85 mm
- * Housing ventilated through ventilation holes to prevent overheating
- * Designed for one power supply
- * Colour RAL 7024 (Graphite grey)
- * All our medical arms are in conformity: CE, ROHS, Medical Grade, Regulations MDD 93/42 ECC.
- * Warranty: 5 years



Do not hesitate to contact us if you have any questions about this product.



Warranty: 5 years



000.995.167



Graphite grey



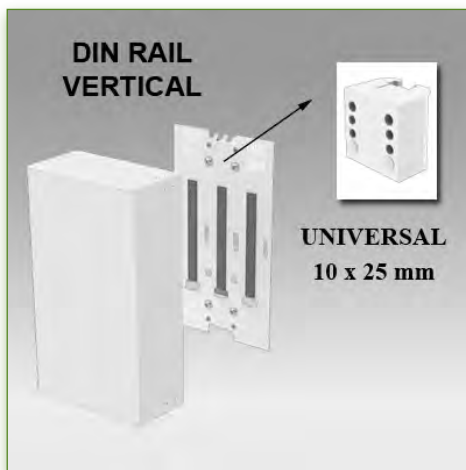
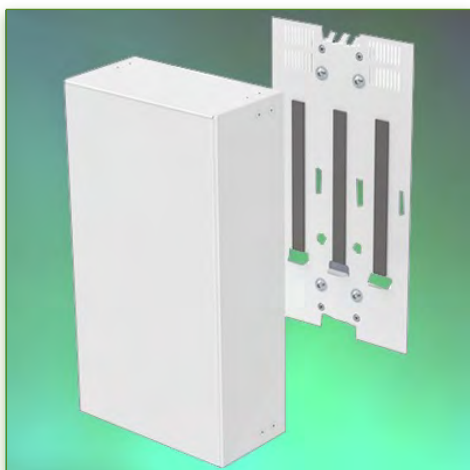
On Measure



= Depending on the elements



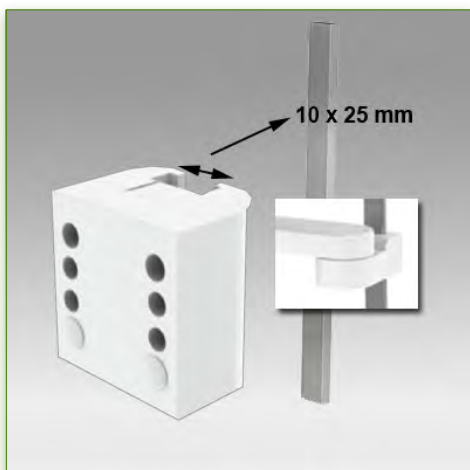
995.167



Electrical power supply box
255 x 115 x 85 mm Din rail
mounting Vertical
Part Number: 995.167



Medical Grade



Do not hesitate to contact us if you have any questions about this product.



Warranty: 5 years



000.995.167



Graphite grey



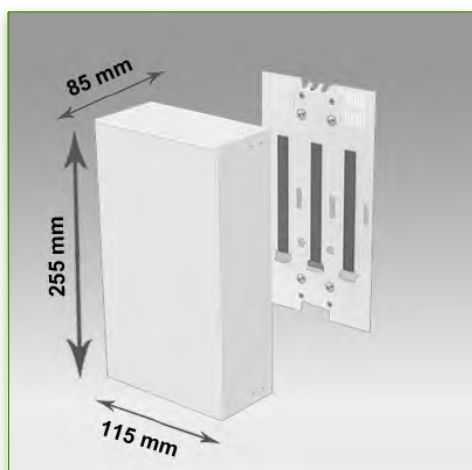
On Measure



= Depending on the elements

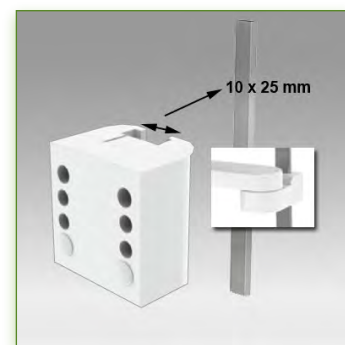
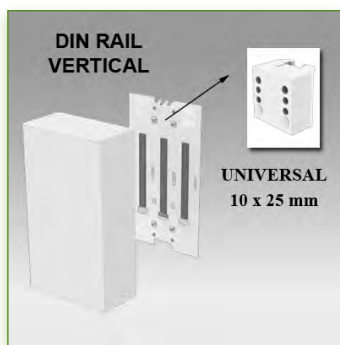
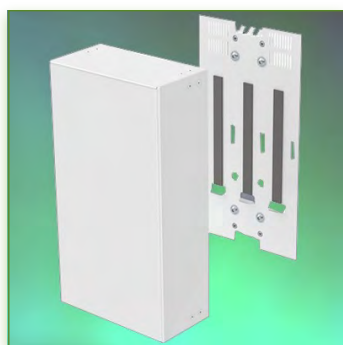


995.167



Anti-bacterial properties:

IT medical arms are now designed with Microban antibacterial protection, a revolutionary treatment that guarantees optimal hygiene. IT medical arms integrate Microban and other antibacterial agents into all medical products. It inhibits the growth of bacteria of all types. This is not a surface treatment. It is 100% in the totality of the product. It does not alter the physico-mechanical properties of the medical arm lift system. Simulations over 30 years show that 100% of the antibacterial properties are maintained. All medical articulated arms incorporate Microban. Microban is the world's leading provider of anti-bacterial solutions. It has been successfully applied for more than 35 years in a wide range of products used in the hospital, construction and food industries.



Electrical power supply box
255 x 165 x 85 mm Mounting
on Din Vertical rail
Part Number: 995.168



Do not hesitate to contact us if you have any questions about this product.



Warranty: 5 years



000.995.168



Graphite grey



On Measure



= Depending on the elements



995.168

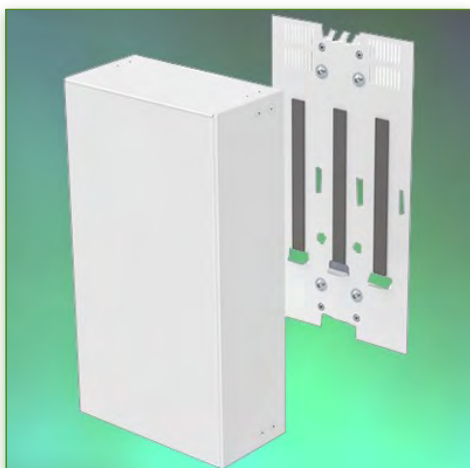
Power supply housing 255 x 165 x 85 mm Vertical Din Rail 10 x 25 mm Universal Mount

Storage housing for anodised aluminium power supply.

It is coated with an anti-microbial agent offering hygiene and cleaning down to the last detail. Its modern design has been specially designed for healthcare environments.

Technical specifications:

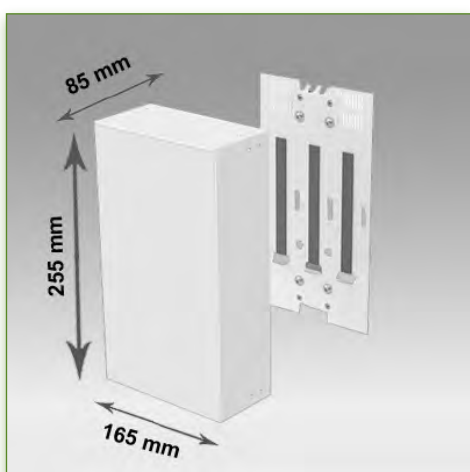
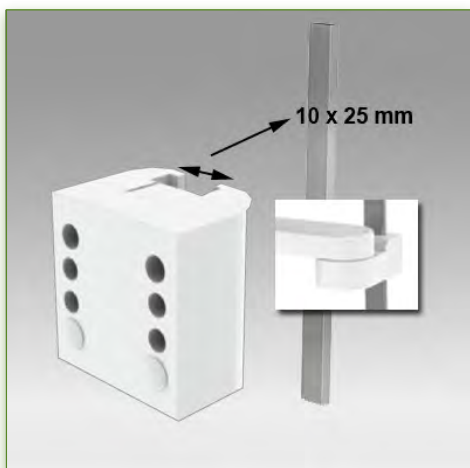
- * Mounting on Din Vertical Rail 10 x 25 mm adapter included (10 x 25 mm)
- * Suitable for most power supplies on the market
- * Dimensions: 255 x 165 x 85 mm
- * Housing ventilated through ventilation holes to prevent overheating
- * Designed for one power supply
- * Colour RAL 7024 (Graphite grey)
- * All our medical arms are in conformity: CE, ROHS, Medical Grade, Regulations MDD 93/42 ECC.
- * Warranty: 5 years



Electrical power supply box
255 x 165 x 85 mm Mounting
on Din Vertical rail
Part Number: 995.168



Medical Grade



Do not hesitate to contact us if you have any questions about this product.



Warranty: 5 years



000.995.168



Graphite grey



On Measure



= Depending on the elements



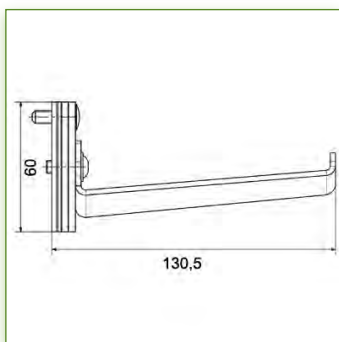
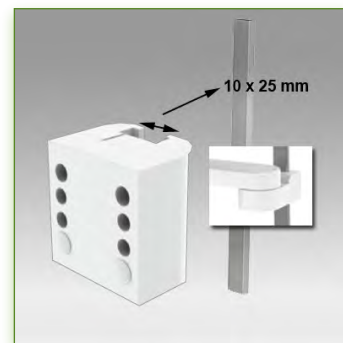
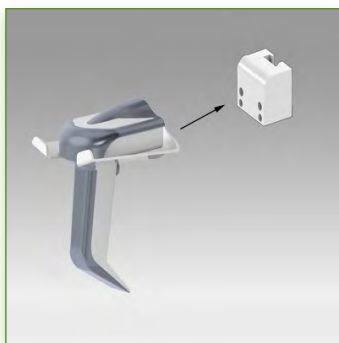
995.168

Anti-bacterial properties:

IT medical arms are now designed with Microban antibacterial protection, a revolutionary treatment that guarantees optimal hygiene. IT medical arms integrate Microban and other antibacterial agents into all medical products. It inhibits the growth of bacteria of all types. This is not a surface treatment.

It is 100% in the totality of the product. It does not alter the physico-mechanical properties of the medical arm lift system. Simulations over 30 years show that 100% of the antibacterial properties are maintained.

All medical articulated arms incorporate Microban. Microban is the world's leading provider of anti-bacterial solutions. It has been successfully applied for more than 35 years in a wide range of products used in the hospital, construction and food industries.



Holder for barcode hand shower

Part Number: 995.169



Do not hesitate to contact us if you have any questions about this product.



Warranty: 5 years



000.995.169



Graphite grey



On Measure



= Depending on the elements



995.169

Universal Hand Shower Barcode Holder Verticall Din Rail 10 x 25 mm Universal Mount

Universal barcode hand shower holder ideal for keeping the hand shower close to the medical facility.

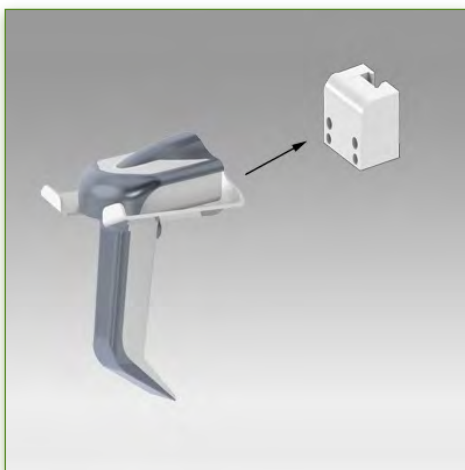
This 13.5 x 10.31 x 6 cm barcode reader holder can be attached along the vertical wall rail

This rugged barcode scanner stand is the perfect storage or scanning application.

Color: Graphite Grey and White

Technical specifications:

- * Mounting on Din Vertical Rail 10 x 25 mm adapter included (10 x 25 mm)
- * Keeps the hand shower safe
- * All our medical arms are in conformity: CE, ROHS, Medical Grade, Regulations MDD 93/42 ECC.
- * Warranty: 5 years

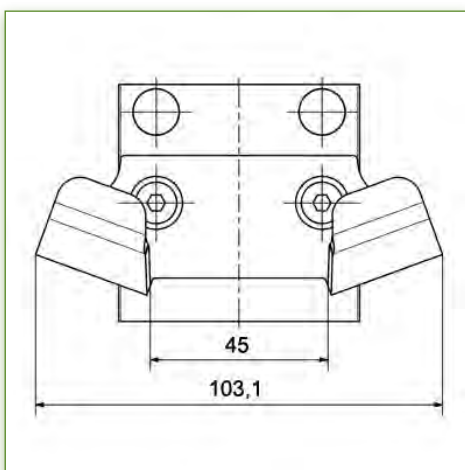
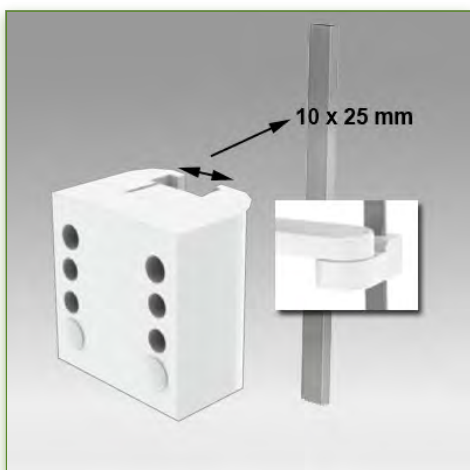


Holder for barcode hand shower

Part Number: 995.169



Medical Grade



Do not hesitate to contact us if you have any questions about this product.



Warranty: 5 years



000.995.169



Graphite grey



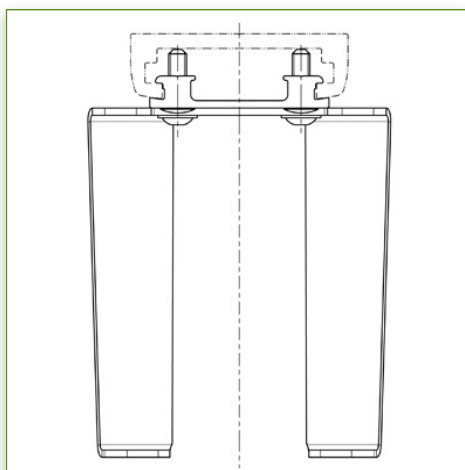
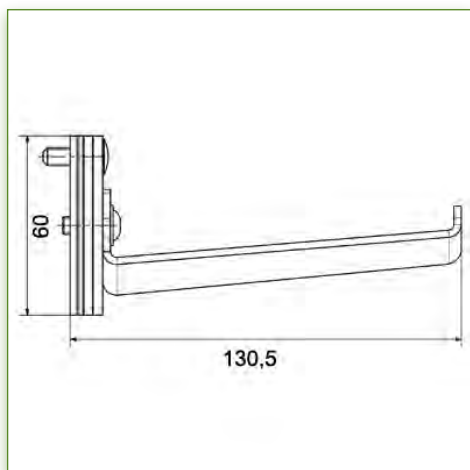
On Measure



= Depending on the elements



995.169



Anti-bacterial properties:

IT medical arms are now designed with Microban antibacterial protection, a revolutionary treatment that guarantees optimal hygiene. IT medical arms integrate Microban and other antibacterial agents into all medical products. It inhibits the growth of bacteria of all types. This is not a surface treatment. It is 100% in the totality of the product. It does not alter the physico-mechanical properties of the medical arm lift system. Simulations over 30 years show that 100% of the antibacterial properties are maintained. All medical articulated arms incorporate Microban. Microban is the world's leading provider of anti-bacterial solutions. It has been successfully applied for more than 35 years in a wide range of products used in the hospital, construction and food industries.

Médical Grade

Innovative designs, a StS® shortened elevator technology with a factor 6 gas lift that makes computer medical elevation effortlessly unmatched in the industry.

This StS® technology offers smooth adjustment flexibility regardless of the size and strength of the user, allowing him to maximize his comfort of use both sitting and standing. The revolutionary design of the StS technology separates from conventional technologies that do not meet the safety factor standards generally used in this type of design.

A sTs elevator technology that is not under pressure, which means that your long-term performance will remain higher.

Designed for prolonged sitting or permanent applications. The sTs technology offers a true revolution in ergonomic design that can be used by a wide range of clinicians and caregivers of all sizes, allowing them to adjust the height of the medical arm.

Robust, anodized aluminum construction, complemented by a small footprint, makes computer medical arms accessible even in places where space is at a premium.

These computerized medical workstations contribute to the encoding of critical patient care information with comfort at the patient's bedside with unmatched travel comfort.

Computerized medical arms comply with hospital hygiene standards, effectively they contain less than 5% of plastic harmful to bacteria and can be disinfected in the smallest details.

An anti-bacterial coating (microban) ensures perfect hygiene of arms and all parts are therefore impermeable to bacteria, no asperities in their designs aimed at a complete cleaning, fast and easy, helping to control infections.

It takes only 10 minutes to completely disinfect the workstation.

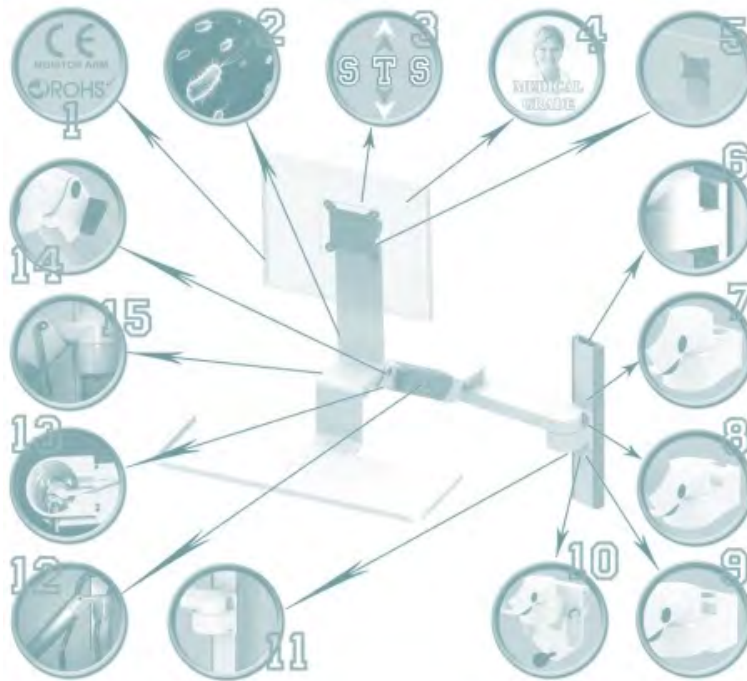
Human-centered designs place mobile computing exactly where it needs to be, reducing the time spent on each task for more efficiency.

the fruit of a close collaboration with the nurses, the computer scientists, the doctors, offering them a comfort and an ergonomics unparalleled in the data entry.

These medical computer arm solutions offer healthy computing environments that promote work efficiency.

Developed for superior performance, quality, durability for a better return on investment. Designed and created to minimize the impact of energy consumption and thereby reduce the harmful effects of air emissions and pollution.

Backed by a 5 year warranty, our solutions will give you all satisfactions.

An Exceptional Experience! "Often copied, never equaled"**Unmatched in technology, comfort and installation**

- 1 / Compliant and CE and ROHS / DIN EN ISO 9001: 2008 certified
- 2 / Anti-bacterial coating
- 3 / Height adjustable technology
- 4 / Medical Standards
- 5 / VESA 75 and 100 mm
- 6 / Possibility of mounting on Din Wall Rail optional
- 7 / Possibility of mounting on fixed pole, 25 - 35 - 38 mm
- 8 / Possibility of mounting on Din Vertical Rail 10 x 25 mm
- 9 / Possibility of mounting on variable pole between 20 and 40 mm
- 10 / Possible installation on DIN Rail Horizontal, 10 x 25 - 8 x 35 - 10 x 30 - 10 x 50 mm
- 11 / Optional column mounting option
- 12 / Cable entry and internal connector on the arm (internal chute supplied)
- 13 / Equipotential bonding and connector
- 14 / Adjustment and safety lever
- 15 / Adjustment and easy control of the gas cylinder

Bacteria-proof

Plastic, even food, is porous. This porosity, accentuated by scratches can cause bacteria nests in computerized medical arms during these constant manipulations. A biofilm can be put in place in a few hours, and allow the bacteria there to become resistant to external agents.

This is why our Computer Medical Arms, contrary to what we find on the market have a complete structure in anodized aluminum. Less than 5% of plastic in their designs dedicated specifically to the medical and hospital sector.

Aluminum, its characteristics, its properties, its utility:

Main characteristics

Density: 2700 kg / m³

Density: 2.7 (three times less than steel)

The use of aluminum is therefore essential in the areas of the construction of our computer arms.

Corrosion resistance:

Aluminum alloys are highly oxidizable. In the air, a layer of a few micrometers of aluminum oxide (Al₂O₃) is formed. Thanks to this thin film, aluminum alloys become resistant to corrosion. Unlike most metals, aluminum needs to oxidize to be used. Without this film of oxide, it would be unsuitable for most of its applications.

Thus, under normal atmospheric conditions, exterior building claddings or aluminum alloy parts have minimal maintenance and extended service life.

Anodizing:

Forced oxidation with an electrolyte makes it possible to obtain coloring of the parts. This anodizing can also be colorless to keep the shine of the pieces (aluminum color). The protective oxide layer can be made thicker by anodization.

Recycling:

To recycle aluminum, there is nothing simpler: just melt it. In addition to environmental benefits, aluminum recycling is much less expensive than extraction from bauxite ore. It requires 95% less energy. And a ton of recycled aluminum saves four tons of bauxite. By skipping the electrolysis stage, which requires a lot of energy, we avoid the pollutant emissions associated with it. Aluminum is almost infinitely recyclable without losing its qualities. In France, aluminum is recovered as part of selective sorting. In sorting centers, it is sorted thanks to eddy currents. It is then broken and crushed and melted. The downside, aluminum remains on the market an expensive material.

Benefit:

- * Resistant to corrosion
- * Unalterable color
- * Rigid
- * Allows 100% recycling
- * Light
- * Noise and vibration reduction
- * Do not rust
- * Longevity is three to four times greater than steel
- * Absorbs considerable pressure and effort
- * Insulation
- * Effective barrier against bacteria
- * Raincoat
- * Resistant to high and low temperatures
- * Sterilizable
- * Strength, weight, versatility
- * Do not burn
- * Anti acid

**Antibacterial Micoban:**

The medical computer arms are now designed with Microban antibacterial protection, a revolutionary treatment that guarantees optimal hygiene. Medical computer arms integrate Microban and other anti-bacterial agents into all medical products. It inhibits the growth of bacteria of all types. It is not a superficial treatment. It is 100% in the entire product. It does not entail any alteration of the physico-mechanical properties of the lift system of the medical arms. 30-year simulations show that 100% of anti-bacterial properties are maintained. All medical articulated arms incorporate Microban. Microban is a world leader in anti-bacterial solutions. It has been successfully applied for more than 35 years in multiple products used in the hospital, construction and food sectors.

Safety factor - Load with sixfold safety factor

The factor of safety is the use of more elements than necessary to compensate for the effects of unknown variables and to prevent system failures.

Design requires dealing with the unknown. Whatever the designer's level of knowledge and the quality of the specifications, hypotheses are inevitable in any design process.

The safety factors are used to offset the potential effects of these unknowns. The idea is to add materials and components to the system so that the design exceeds the specifications defined as necessary to meet the needs.

For example, designing an internet service that can support thousands of users is straightforward and straightforward. However, to take into account unanticipated needs for example downloading large files, the specifications of the need can be multiplied (here in threes).

In this case, the safety factor of three means that the service is qualified as being able to support 1000 users but is designated to actually support 3000.

The level of the safety factor corresponds directly to the level of ignorance of the design parameters. The higher the level of ignorance, the more the safety factor will be increased. More elements mean a higher cost.

The novelties require an important factor of safety. If a design becomes reliable over time, the confidence that the unknowns of the system disappear combined with the pressure to reduce costs causes a process of trimming and reducing the factor of safety.

Unfortunately, this process usually continues until an accident or malfunction occurs.

The safety factor must be used to minimize the risk of design failure. When the level of confidence in the design increases, we can then decrease the coefficient of safety but we must be careful not to go too far.

It is necessary to observe the nominal capacity of a system to make decisions that stress the limits of the system and not the expected capacity.

**That is why all our medical arms are certified with a safety factor of 6
for your safety and that of your patients.**



Disinfection, cleaning and hygiene of medical arms

Innovative designs, a StS® shortened lift technology with a factor 6 gas jack that allows the arms Hospital-acquired infections are a real public health problem. There are nowadays in France, about 10,000 deaths per year of these infections contracted at the hospital. They represent a very heavy burden for society, from a human, economic and social point of view. As a result, medical computer trolleys have been designed to be disinfected in their totality and disinfection takes only a very short time for the hygienist (less than 10 minutes).

WHY KEEP THE SAFE SURFACES?

- * Pathogenic microorganisms that enter the premises can survive on surfaces for long periods of time. periods of time.
- * Microorganisms that settle on surfaces can then be transmitted to the hands.
- * The germs of the hands can spread by contact, and be transmitted to other people and cause an infection.
- * Clean or disinfect surfaces to reduce the risk of cross-contamination.
- * Clean water may become contaminated if its container is not clean.



Recommended disinfectants:

1. Chlorine-based (10% max solution) - Chlorox, Novalsan, etc.
2. Formaldehyde base - 37% formaldehyde solution, Vinco Formaldegen, etc.
3. Glutaraldehyde-based stock - Aldacide 200, Lysofume, Wavicide, etc.
4. Phenol stock base - Lysol IC, many, Magna Clean, Tek-Trol, etc.
5. Alcohol Based - CaviCide, Isopropyl Alcohol, Medicide (POL-0.3), etc.
6. Oxidants - Hydrogen Peroxide Solution 3%, VikronS, Lifegard series, etc.
7. Ammonium quaternaries - Roccal-D, Bacto-Sep, Ascend, Parvosol, etc.
8. Soap and hot water

DO NOT USE:

1. Oil-based liquid cleaners, such as gasoline, turpentine or petroleum
2. Acetone
3. More than 10% bleach solutions
4. Temperature or sterilization pressure

Ergonomics of workstations on screen

Determination of posture

A good design of an on-screen workstation allows:

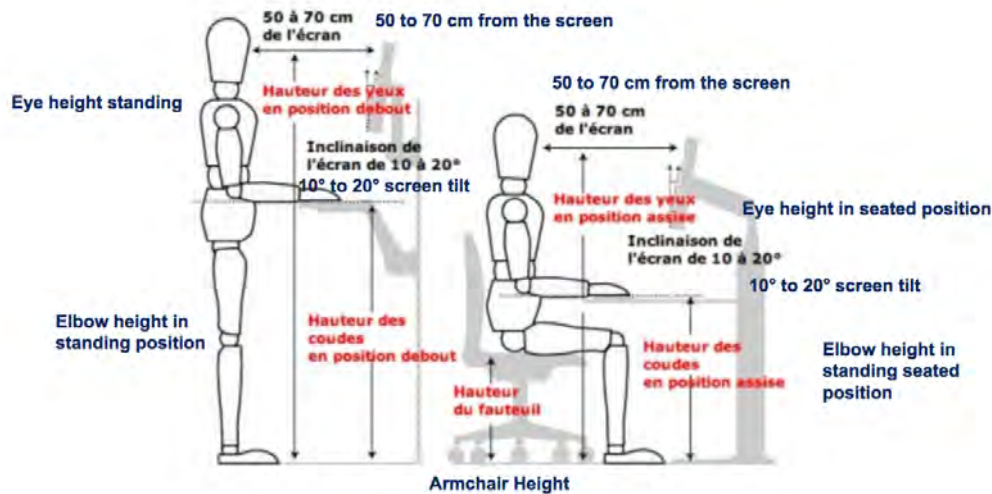
- * increase the postural margin of the operator; any posture, however ideal, becoming uncomfortable after a certain time (pain in the shoulders, arms, hands, neck, back and legs),
- * to reduce the stresses of the cervical vertebrae and the muscles supporting the head (cervicalgia, muscular fatigue),
- * * to reduce the disorders due to a sustained cognitive and visual activity (headache, tingling, tearing, visual discomfort, etc.),
- * to increase blood circulation in the legs, ...

Follow these two steps to improve the comfort of your workstation:

1. Select your size (in cm):

Size in cm	Eyes in a sitting position	Eyes in a standing position	Elbow in sitting position	Elbow in Standing Position	Armchair
152	105	141	57	93	36
155	107	144	58	94	37
157	110	146	59	95	38
160	111	148	60	97	38
163	113	151	61	99	39
165	115	153	62	101	40
168	117	156	63	102	41
170	118	158	64	104	41
173	120	161	65	106	42
175	122	163	66	108	43
178	124	166	67	109	44
180	125	168	68	111	44
183	127	171	68	112	46
185	129	173	69	113	46
188	131	175	72	116	48
191	133	178	72	117	48

2. Install / adjust the workstation components as described below:



Positions

The eyes should be aligned with the top of the display surface of the screen (specifically, the center of the screen should be at an angle of 15 degrees to the horizontal at eye level).

Exception: For wearers of progressive lenses, lower the monitor and tilt the screen up to avoid neck pain.

The height of the elbows should be adjusted with the top of the keyboard.

The height of the chair should help to keep the feet flat when the hips are at a 90 ° angle.

A seat slightly inclined downward (3 to 5 degrees) allows to better respect the natural curvature of the spine in double "S", which relieves the lumbar vertebrae.

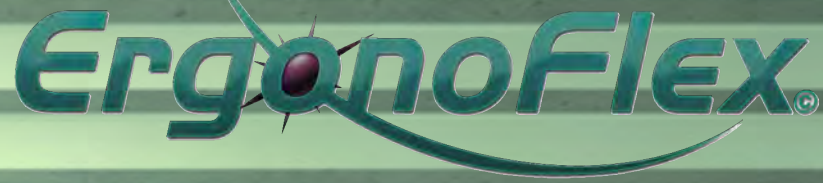
Remarks

These values do not take into account the clothing elements. Remember to add the height of the shoes to make the right measurements.

Remember that no posture can be preserved for a long time, the postural margin being a fundamental element of comfort.

Beyond its standard recommendations, it is important to consider the location of the various elements at the station, the characteristics and distribution of the various tasks, the environmental context (thermal, acoustic and luminous environment), the collective context of the activity. (stress, mutual assistance, conflicting injunctions, etc.) and any particularities or restrictions of aptitude of the operator concerned.

Be careful not to make the mistake (made by both the operators and the companies specialized in tertiary installations) to position the screen face or back to the window but perpendicular to avoid direct glare (sometimes effective but not perceived) or the reflections of the screen.



MEDICAL MONITOR ARMS FIXING ON DIN VERTICAL RAIL



**We have all the solutions and offer you the widest choice of professional
medical systems and supports compatible with the widest
possible range of medical and computer monitors.**