

**MEDICAL MONITOR ARMS**  
**MOUNTING ON 35 MM FIXED POLE**



**We have all the solutions and offer you the widest choice of professional medical media systems compatible with the widest possible range of medical and computer monitors.**

---

## Our Medical Products for screen

---

### MEDICAL ARMS FOR SCREEN FIXING ON FIXED POLE 35 mm

#### INDEX :

#### Medical arms for display, 35 mm fixed pole mounting

Medical arms for display, 35 mm fixed pole mounting OVERVIEW .....	Page 4 - 17
Optional Accessories OVERVIEW .....	Page 88 - 90
Medical Arms for Display Presentations and Data Sheets .....	Page 18 - 87
Optional Accessories Presentations and Data Sheets .....	Page 91 - 128
Benefits of Medical Arms .....	Page 130 - 137





---

## Our Medical Products for screen

---

### MEDICAL ARMS FOR SCREEN FIXING ON FIXED POLE 35 mm

#### **Orient and position your screen effortlessly from a 35 mm Fixed pole**

This range of products has been designed to meet all the needs of many users in the healthcare sector in terms of fixing 1 flat screen. Medical display arms help create a more spacious, quiet, ergonomic and individual medical workstation.

However, not all medical display arms are the same. We offer several types of arms, each of which is designed for a specific application: depth adjustment, height adjustment or simply both.

We assist you in choosing the medical monitor arm that best suits your needs. Position your LCD screen at the height adapted to your visual comfort.

We have all the solutions and offer you the widest choice of professional medical media systems compatible with the widest possible range of medical and computer monitors.



## Medical arms for screen, 35 mm fixed pole mounting, Depth Adjustable Medical Display Arms OVERVIEW



Short Swivel Medical Arm  
100 mm for screen  
Mounting on 35 mm Fixed Pole  
  
Part Number: 978.110



Horizontal Medical Arm  
240 mm for screen  
Mounting on 35 mm Fixed Pole  
  
Part Number: 978.504



Horizontal Medical Arm  
300 mm for screen  
Mounting on 35 mm Fixed Pole  
  
Part Number: 978.111

26" Wide ( Weight )

75/100 mm

18 Kg

 A technical diagram showing a 35 mm fixed pole with a green medical arm attached. To the left are three icons: a monitor, a VESA logo, and a scale. To the right is a 'MEDICAL GRADE' icon.

26" Wide ( Weight )

75/100 mm

18 Kg

 A technical diagram showing a 35 mm fixed pole with a green medical arm attached. To the left are three icons: a monitor, a VESA logo, and a scale. To the right is a 'MEDICAL GRADE' icon.

26" Wide ( Weight )

75/100 mm

18 Kg





 A technical diagram showing a 35 mm fixed pole with a green medical arm attached. To the left are three icons: a monitor, a VESA logo, and a scale. To the right is a 'MEDICAL GRADE' icon.

# Medical arms for screen, 35 mm fixed pole mounting, Depth Adjustable Medical Display Arms OVERVIEW



Horizontal Medical Arm  
2 x 300 mm for screen  
Mounting on 35 mm Fixed Pole

Part Number: 978.112

	26" Wide ( Weight )	
	75/100 mm	
	12,5 Kg	

MEDICAL GRADE

**Medical arms for display, 35 mm fixed pole mounting**  
**Height and depth adjustable medical display arms**  
**OVERVIEW**



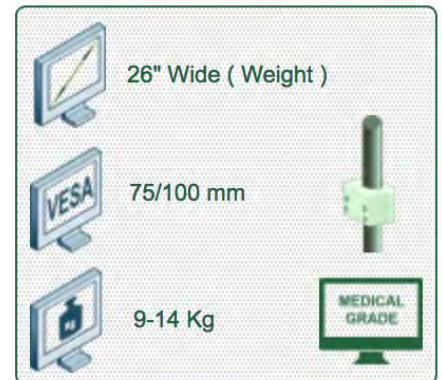
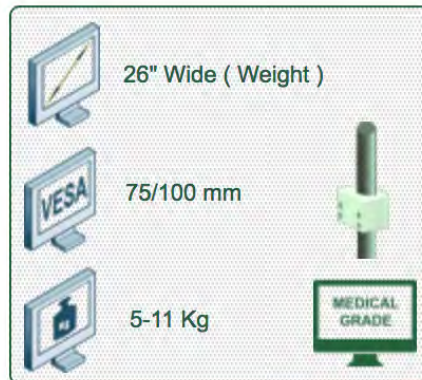
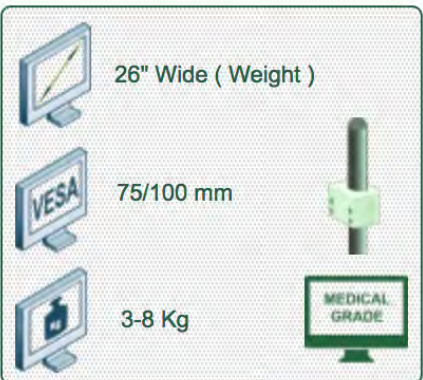
Medical Monitor Arm, height adjustable, 300 mm, pole mounting 35 mm  
 Part Number: 978.113-1



Medical Monitor Arm, height adjustable, 300 mm, pole mounting 35 mm  
 Part Number: 978.113-2



Medical Monitor Arm, height adjustable, 300 mm, pole mounting 35 mm  
 Part Number: 978.113-3



**Medical arms for display, 35 mm fixed pole mounting**  
**Height and depth adjustable medical display arms**  
**OVERVIEW**



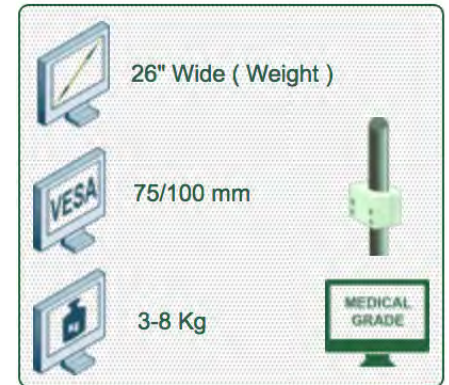
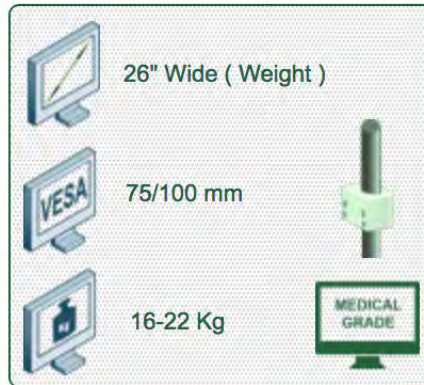
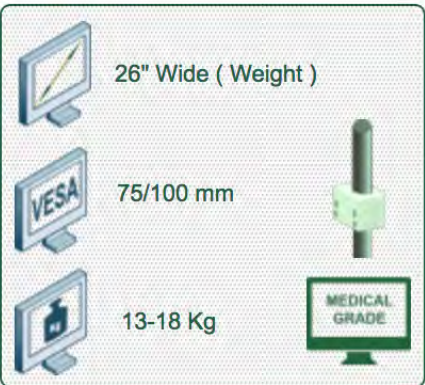
Medical Monitor Arm, height adjustable, 300 mm, pole mounting 35 mm  
 Part Number: 978.113-4



Medical Monitor Arm, height adjustable, 300 mm, pole mounting 35 mm  
 Part Number: 978.113-5



Medical Monitor Arm, height adjustable, 300 + 240 mm, pole mounting 35 mm  
 Part Number: 978.540-1



**Medical arms for display, 35 mm fixed pole mounting**  
**Height and depth adjustable medical display arms**  
**OVERVIEW**



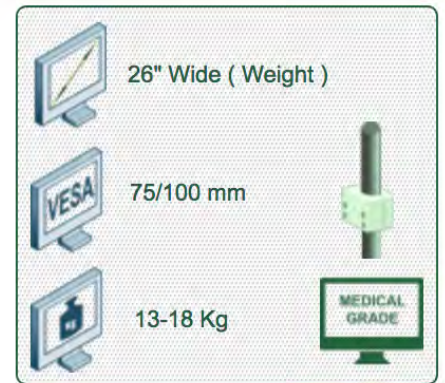
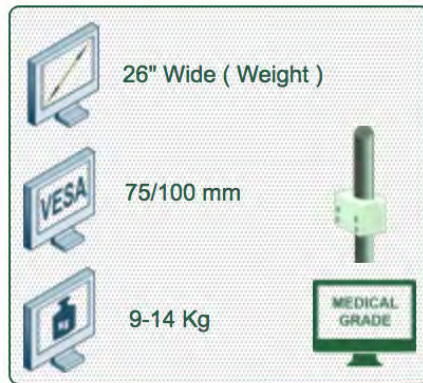
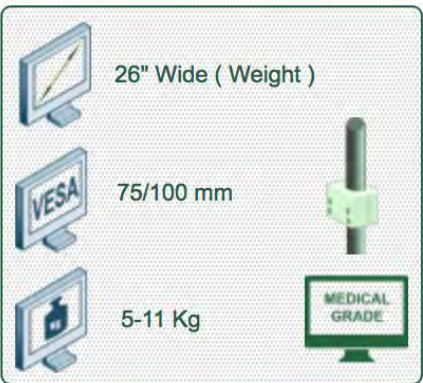
Medical Monitor Arm, height adjustable, 300 + 240 mm, pole mounting 35 mm  
 Part Number: 978.540-2



Medical Monitor Arm, height adjustable, 300 + 240 mm, pole mounting 35 mm  
 Part Number: 978.540-3



Medical Monitor Arm, height adjustable, 300 + 240 mm, pole mounting 35 mm  
 Part Number: 978.540-4





**Medical arms for display, 35 mm fixed pole mounting**  
**Height and depth adjustable medical display arms**  
**OVERVIEW**



Medical Monitor Arm, height adjustable, 300 + 240 mm, pole mounting 35 mm

Part Number: 978.540-5



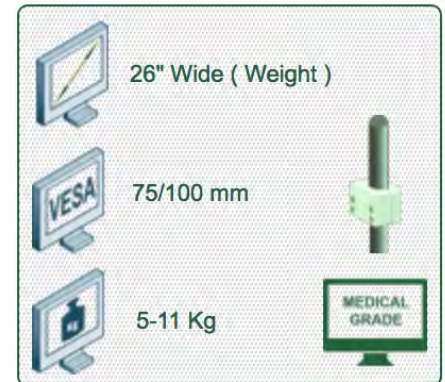
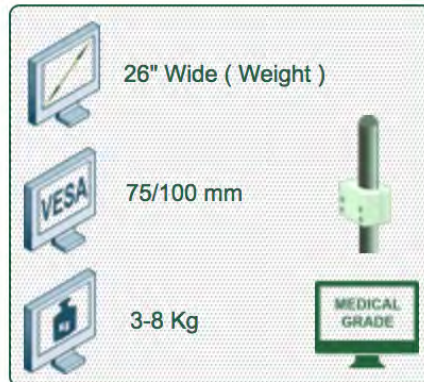
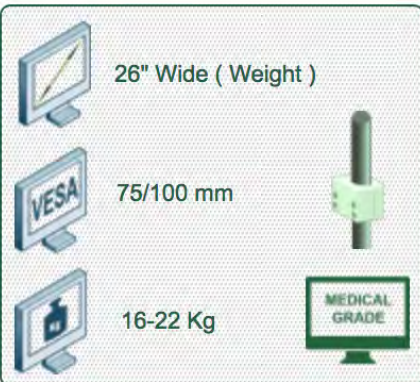
Medical Monitor Arm PH, height adjustable, 300 mm, pole mounting 35 mm

Part Number: 978.530-1



Medical Monitor Arm PH, height adjustable, 300 mm, pole mounting 35 mm

Part Number: 978.530-2



# Medical arms for display, 35 mm fixed pole mounting

## Height and depth adjustable medical display arms

### OVERVIEW



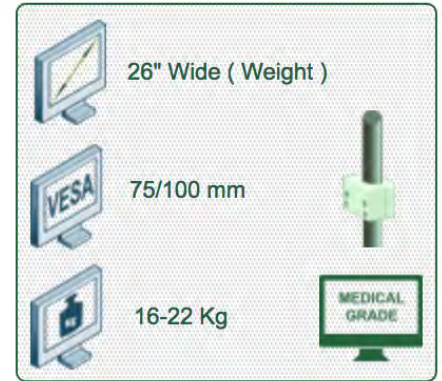
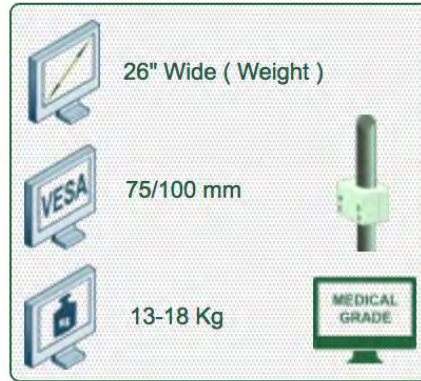
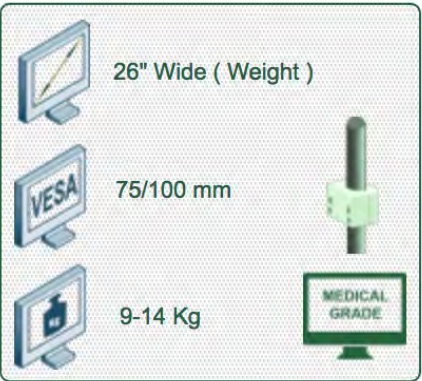
Medical Monitor Arm PH, height adjustable, 300 mm, pole mounting 35 mm  
Part Number: 978.530-3



Medical Monitor Arm PH, height adjustable, 300 mm, pole mounting 35 mm  
Part Number: 978.530-4



Medical Monitor Arm PH, height adjustable, 300 mm, pole mounting 35 mm  
Part Number: 978.530-5



**Medical arms for display, 35 mm fixed pole mounting**  
**Height and depth adjustable medical display arms**  
**OVERVIEW**



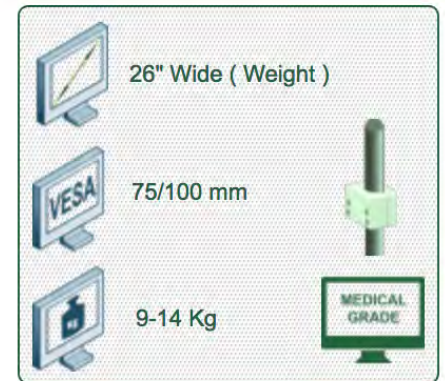
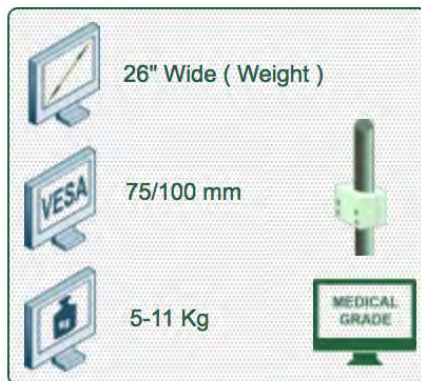
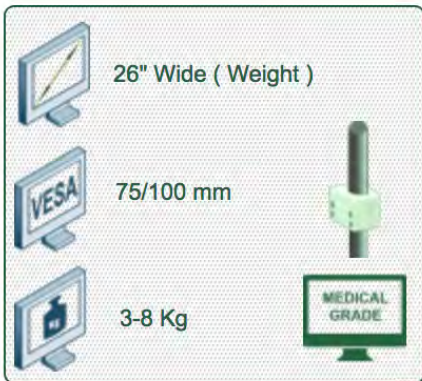
Medical Monitor Arm PH, height adjustable, 300 + 240 mm, pole mounting 35 mm  
 Part Number: 978.114-1



Medical Monitor Arm PH, height adjustable, 300 + 240 mm, pole mounting 35 mm  
 Part Number: 978.114-2



Medical Monitor Arm PH, height adjustable, 300 + 240 mm, pole mounting 35 mm  
 Part Number: 978.114-3



## Medical arms for display, 35 mm fixed pole mounting Height and depth adjustable medical display arms OVERVIEW



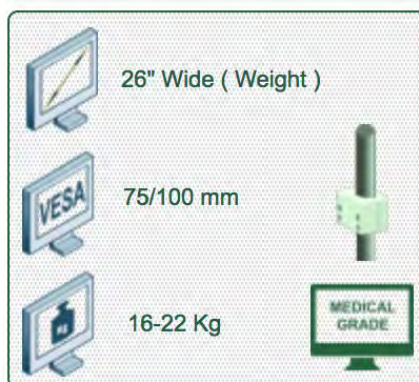
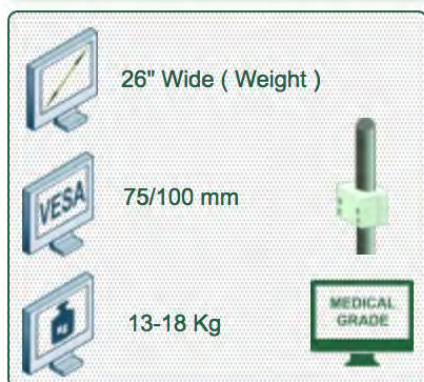
Medical Monitor Arm PH, height adjustable, 300 + 240 mm, pole mounting 35 mm

Part Number: 978.114-4



Medical Monitor Arm PH, height adjustable, 300 + 240 mm, pole mounting 35 mm

Part Number: 978.114-5

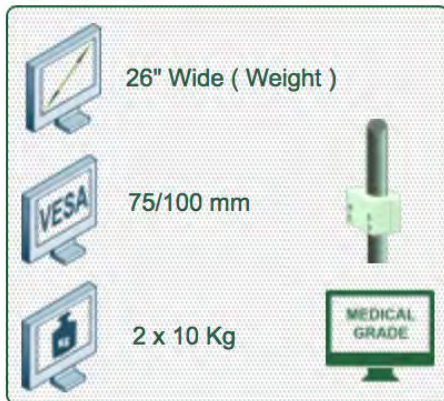


**Medical arms for display, 35 mm fixed pole mounting**  
**Medical arms for 2 depth adjustable screens**  
**OVERVIEW**



240 mm horizontal arm equipped  
with a pole for two screens  
Mounting on 35 mm fixed pole

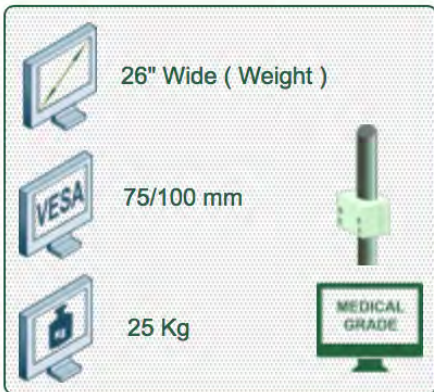
Part Number: 978.843



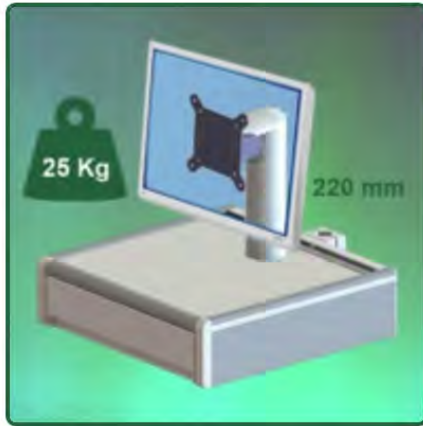
**Medical arms for display, 35 mm fixed pole mounting  
Medical stands for 1 screen mounting on 35 mm fixed pole  
OVERVIEW**



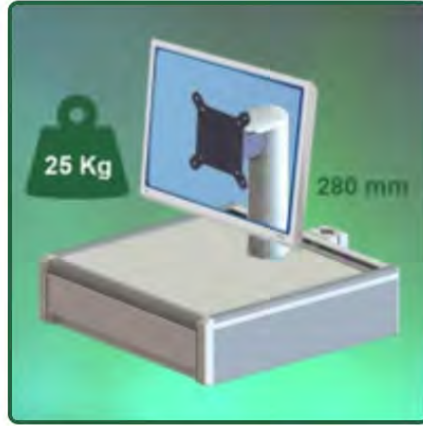
Swivel Stand Arm 306 mm  
equipped with a tilting foot from  
10 ° to 15 ° Installation on pole  
fixed 35 mm  
Part Number: 978.845



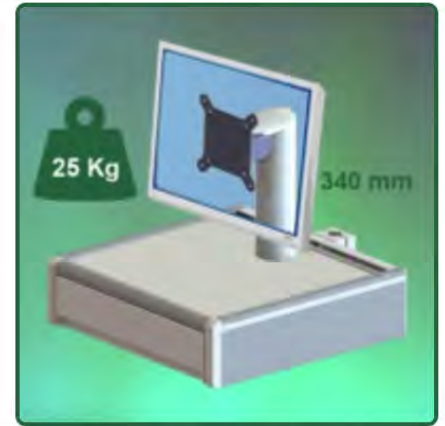
**Medical arms for display, 35 mm fixed pole mounting  
Medical consoles for display Mounting on 35 mm fixed pole  
OVERVIEW**



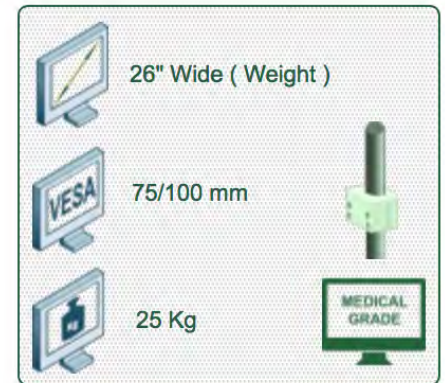
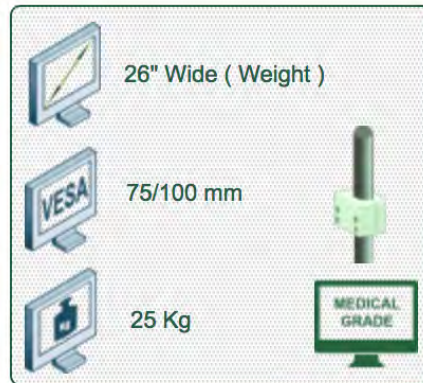
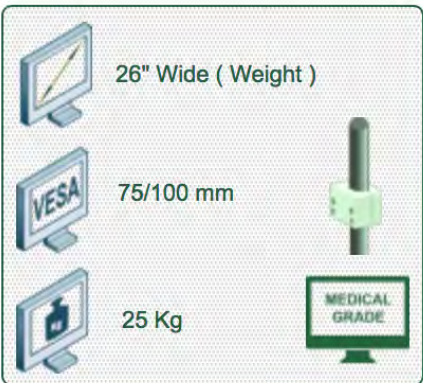
Medical Monitor Console,  
Height 220 mm, 1 drawer  
35 mm Pole Mount  
  
Part Number: 978.858



Medical Monitor Console,  
Height 280 mm, 1 drawer  
35 mm Pole Mount  
  
Part Number: 978.859



Medical Monitor Console,  
Height 340 mm, 1 drawer  
35 mm Pole Mount  
  
Part Number: 978.860



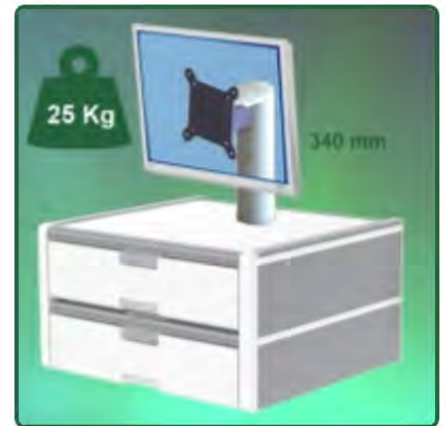
**Medical arms for display, 35 mm fixed pole mounting  
Medical consoles for display Mounting on 35 mm fixed pole  
OVERVIEW**



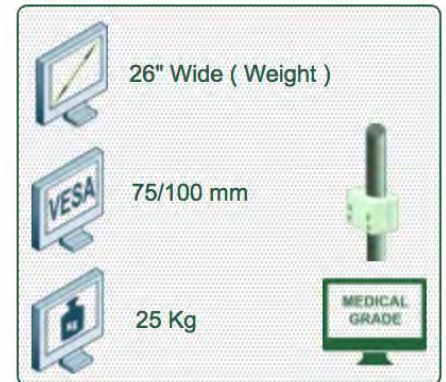
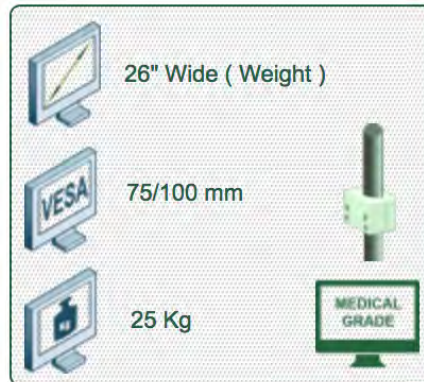
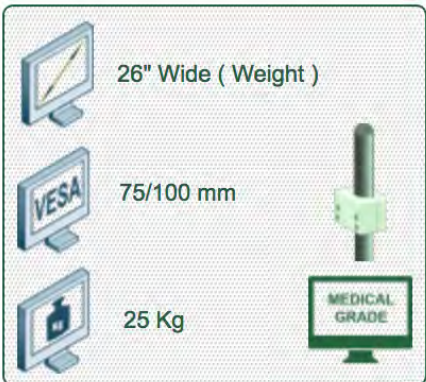
Medical Monitor Console,  
Height 220 mm, 2 drawers  
35 mm Pole Mount  
  
Part Number: 978.861



Medical Monitor Console,  
Height 280 mm, 2 drawers  
35 mm Pole Mount  
  
Part Number: 978.862

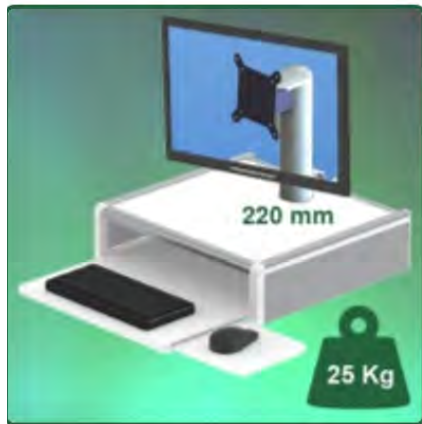


Medical Monitor Console,  
Height 340 mm, 2 drawers  
35 mm Pole Mount  
  
Part Number: 978.863

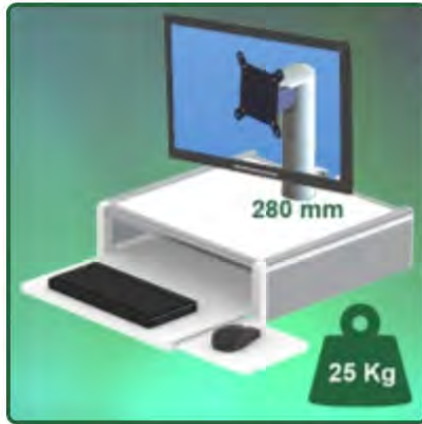




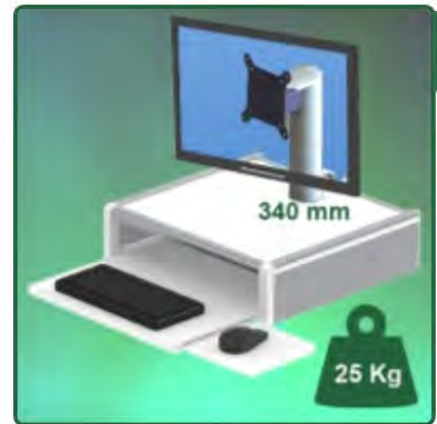
**Medical arms for display, 35 mm fixed pole mounting  
Medical consoles for display Mounting on 35 mm fixed pole  
OVERVIEW**



New Product



New Product

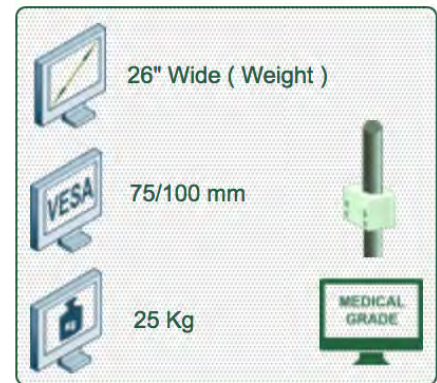
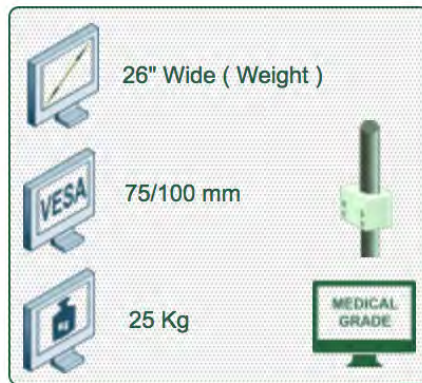
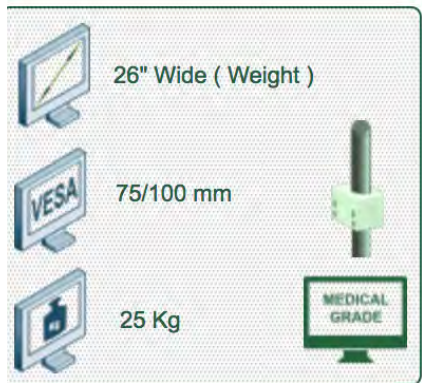


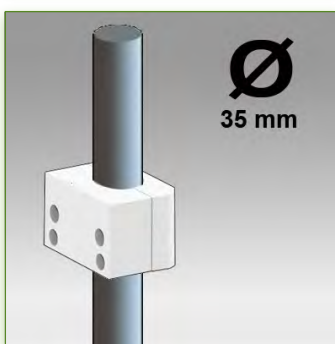
New Product

Medical Monitor Console,  
Height 220 mm,  
Keyboard Platform  
35 mm Pole Mount  
Part Number: 978.864

Medical Monitor Console,  
Height 280 mm,  
Keyboard Platform  
35 mm Pole Mount  
Part Number: 978.865

Medical Monitor Console,  
Height 340 mm,  
Keyboard Platform  
35 mm Pole Mount  
Part Number: 978.866





**100 mm Short Pivot Medical Arm for Display, Mounting on 35 mm Fixed Pole**

This mini medical arm with short pivot of 100 mm makes it possible to fix, direct and adjust perfectly the LCD screen. It is coated with an anti-microbial agent offering hygiene and cleaning down to the last detail. Its modern design has been specially designed for healthcare environments.

**Technical specifications:**

- \* Integrated cable channel
- \* Mounting on 35 mm fixed pole, fixing ring included.
- \* This mini swivel arm simply fits on the pole 35 mm for then adjust to the desired height and fixed. Rotary head.
- \* The head of this mini arm complies with the screen mounting standard: VESA MIS-D 75 mm and 100 mm.
- \* Compatible with screens whose weight does not exceed 18 Kg.
- \* Touch screen stability.
- \* Screen tilt: 50° down and 100° up
- \* Screen rotation: 105° to the right, 105° to the left.
- \* Total length 146 mm
- \* Compatible with multimedia terminals (TMM)
- \* Colour RAL 7024 (Graphite grey) and White
- \* All our medical arms are in conformity: CE, ROHS, Medical Grade, Regulations MDD 93/42 ECC.


\* Warranty: 5 years

Note: This arm can also be installed on one of our medical columns or trolleys.

Supported Weight: 18 Kg  
 VESA standard: 75 / 100 mm



Up to 26" Wide ( Weight)  
 75/100 mm  
 18 Kg  
**MEDICAL GRADE**

 Do not hesitate to contact us if you have any questions about this product.

 Warranty: 5 years

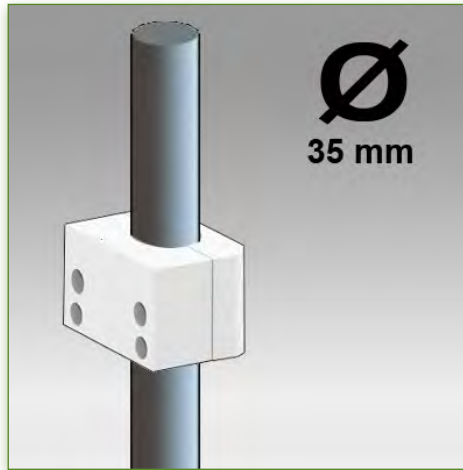
 000.978.110

 Graphite Grey and White

 On Measure

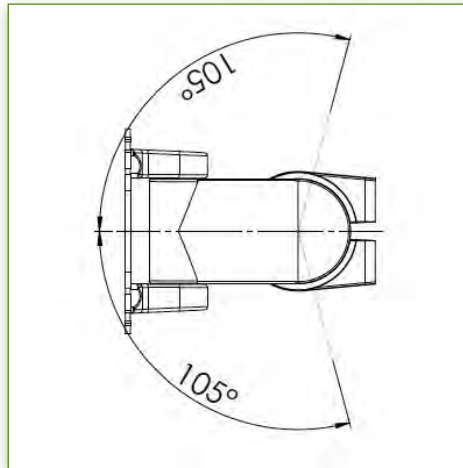
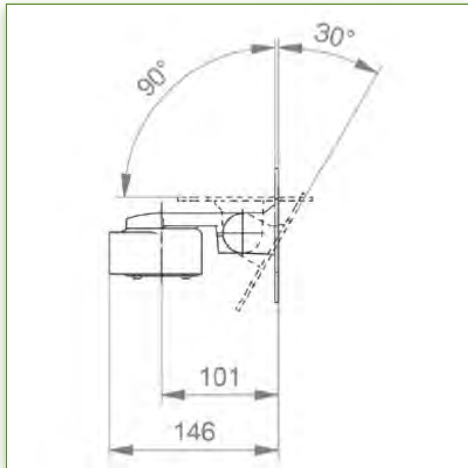
 = Depending on the elements

 978.110



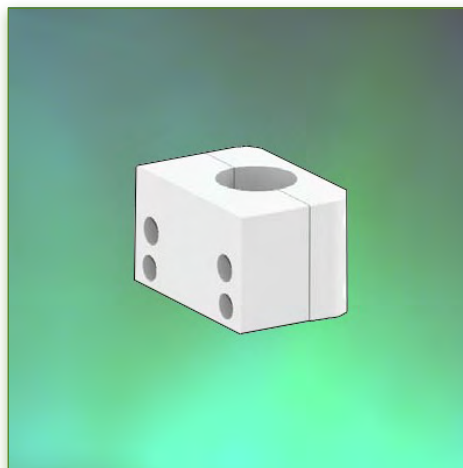
Supported Weight: 18 Kg  
 VESA standard: 75 / 100 mm

Up to 26" Wide ( Weight)  
 75/100 mm  
 18 Kg



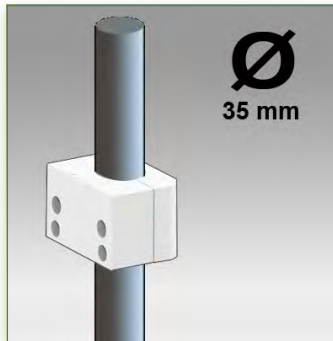
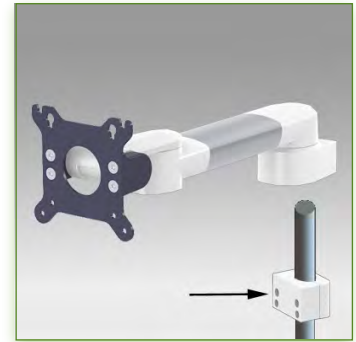
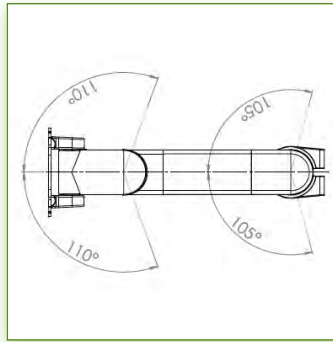
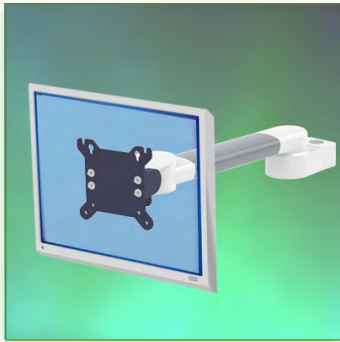
Do not hesitate to contact us if you have any questions about this product.

- Warranty: 5 years
- 000.978.110
- Graphite Grey and White
- On Measure
- = Depending on the elements
- 978.110



**Anti-bacterial properties:**

IT medical arms are now designed with Microban antibacterial protection, a revolutionary treatment that guarantees optimal hygiene. IT medical arms integrate Microban and other antibacterial agents into all medical products. It inhibits the growth of bacteria of all types. This is not a surface treatment. It is 100% in the totality of the product. It does not alter the physico-mechanical properties of the medical arm lift system. Simulations over 30 years show that 100% of the antibacterial properties are maintained. All medical articulated arms incorporate Microban. Microban is the world's leading provider of anti-bacterial solutions. It has been successfully applied for more than 35 years in a wide range of products used in the hospital, construction and food industries.



Display Compatibility: 26" Wide ( Weight)  
Supported Weight: 18 Kg  
VESA standard: 75 / 100 mm

Up to 26" Wide ( Weight)  
75/100 mm  
18 Kg  
MEDICAL GRADE

Do not hesitate to contact us if you have any questions about this product.

Warranty: 5 years

000.978.504

Graphite Grey and White

On Measure

= Depending on the elements

978.504

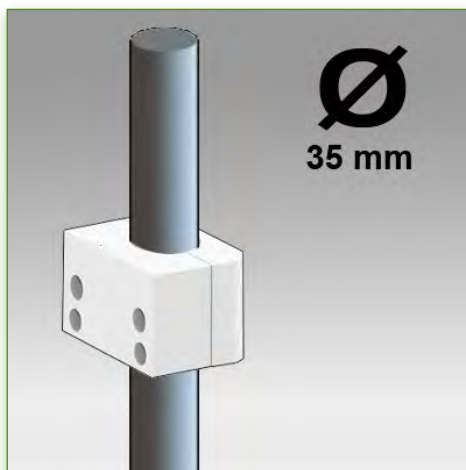
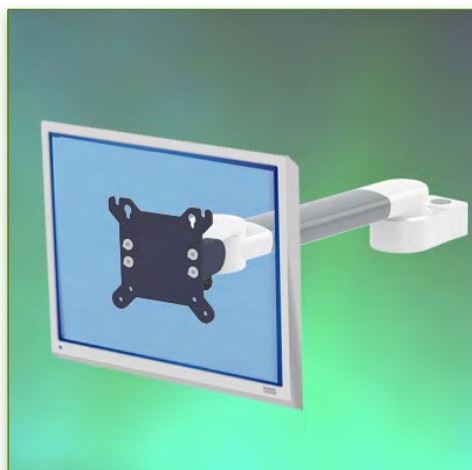
### 240 mm Horizontal Medical Monitor Arm, Mounting on 35 mm Fixed Pole

This 240 mm Horizontal Arm allows the LCD screen to be perfectly fixed, oriented and adjusted. It is coated with an anti-microbial agent offering hygiene and cleaning down to the last detail. Its modern design has been specially designed for healthcare environments.

#### Technical specifications:

- \* Integrated cable channel
- \* Mounting on 35 mm fixed pole, fixing ring included.
- \* This 240 mm Horizontal Arm simply slips on the 35 mm pole and then adjust to the desired height and fixed. He doesn't own height adjustment.
- \* The head of this arm complies with the screen mounting standard: VESA MIS-D 75 mm and 100 mm. Rotary head.
- \* Compatible with screens whose weight does not exceed 18 Kg.
- \* Touch screen stability.
- \* Screen tilt: 50° down and 100° up
- \* Screen rotation: 110° right, 110° left.
- \* Arm rotation: 105° to the right, 105° to the left.
- \* Total length 311 mm
- \* Compatible with multimedia terminals (TMM)
- \* Colour RAL 7024 (Graphite grey) and White
- \* All our medical arms are in conformity: CE, ROHS, Medical Grade, Regulations MDD 93/42 ECC.
- \* Warranty: 5 years

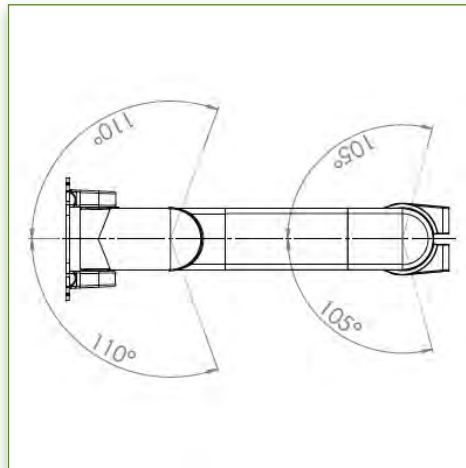
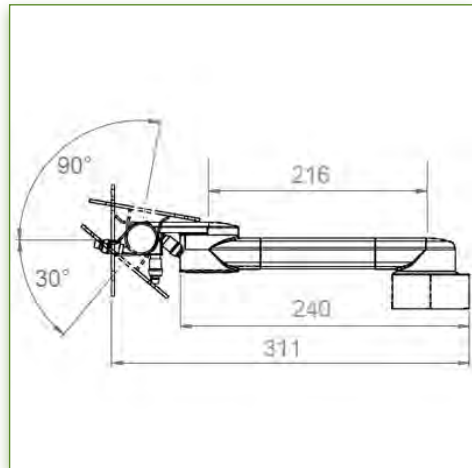
Note: This arm can also be installed on one of our medical columns or trolleys.



Display Compatibility: 26" Wide ( Weight)  
 Supported Weight: 18 Kg  
 VESA standard: 75 / 100 mm

Up to 26" Wide ( Weight)  
 75/100 mm  
 18 Kg

**MEDICAL GRADE**



Do not hesitate to contact us if you have any questions about this product.

**Warranty: 5 years**

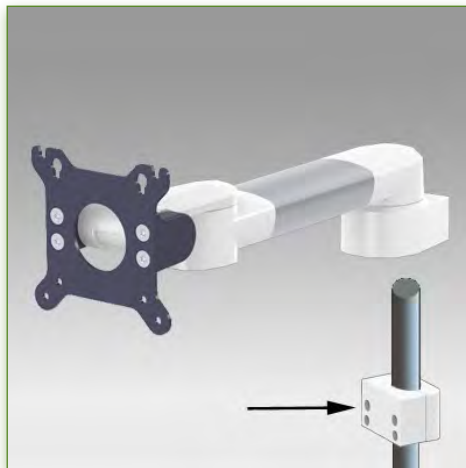
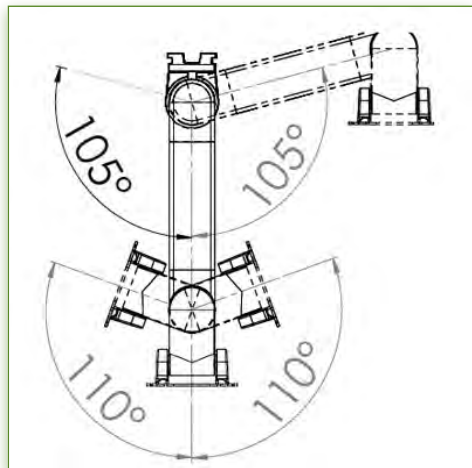
000.978.504

**Graphite Grey and White**

**On Measure**

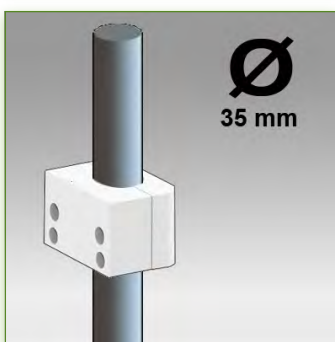
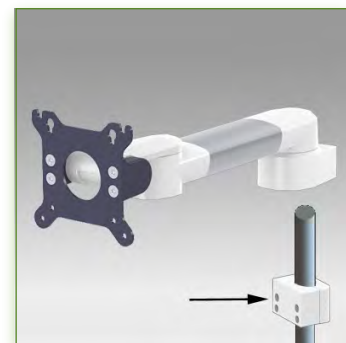
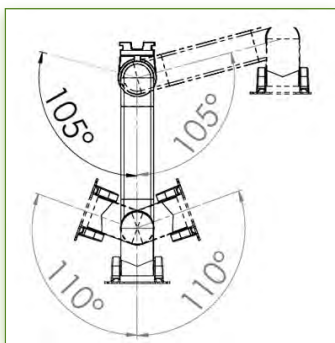
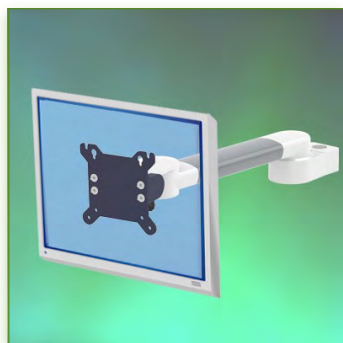
= Depending on the elements

**978.504**



**Anti-bacterial properties:**

IT medical arms are now designed with Microban antibacterial protection, a revolutionary treatment that guarantees optimal hygiene. IT medical arms integrate Microban and other antibacterial agents into all medical products. It inhibits the growth of bacteria of all types. This is not a surface treatment. It is 100% in the totality of the product. It does not alter the physico-mechanical properties of the medical arm lift system. Simulations over 30 years show that 100% of the antibacterial properties are maintained. All medical articulated arms incorporate Microban. Microban is the world's leading provider of anti-bacterial solutions. It has been successfully applied for more than 35 years in a wide range of products used in the hospital, construction and food industries.



Display Compatibility: 26" Wide ( Weight)  
 Supported Weight: 18 Kg  
 VESA standard: 75 / 100 mm

**300 mm Horizontal Medical Monitor Arm, Mounting on 35 mm Fixed Pole**

This 300 mm Horizontal Arm allows the LCD screen to be perfectly fixed, oriented and adjusted. It is coated with an anti-microbial agent offering hygiene and cleaning down to the last detail. Its modern design has been specially designed for healthcare environments.

**Technical specifications:**

- \* Integrated cable channel
- \* Mounting on 35 mm fixed pole, fixing ring included.
- \* This 300 mm Horizontal Arm simply slips on the 35 mm pole and then adjust to the desired height and fixed. He doesn't own height adjustment.
- \* The head of this arm complies with the screen mounting standard: VESA MIS-D 75 mm and 100 mm. Rotary head.
- \* Compatible with screens whose weight does not exceed 18 Kg.
- \* Touch screen stability.
- \* Screen tilt: 50° down and 100° up
- \* Screen rotation: 110° right, 110° left.
- \* Arm rotation: 105° to the right, 105° to the left.
- \* Total length 371 mm
- \* Compatible with multimedia terminals (TMM)
- \* Colour RAL 7024 (Graphite grey) and White
- \* All our medical arms are in conformity: CE, ROHS, Medical Grade, Regulations MDD 93/42 ECC.

\* Warranty: 5 years

Note: This arm can also be installed on one of our medical columns or trolleys.

Do not hesitate to contact us if you have any questions about this product.

Warranty: 5 years

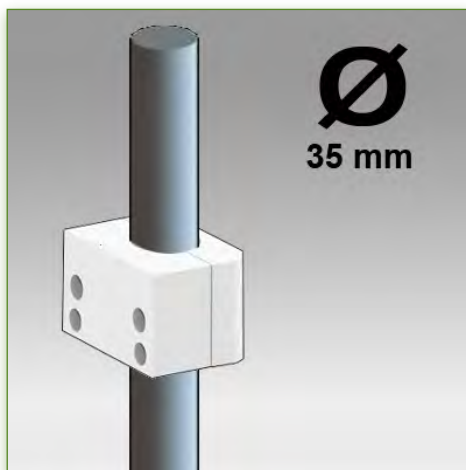
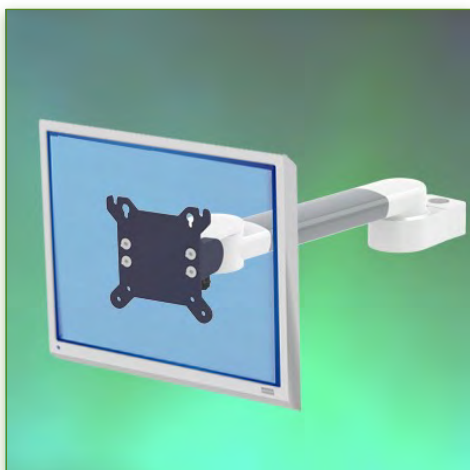
000.978.111

Graphite Grey and White

On Measure

= Depending on the elements

978.111



Display Compatibility: 26" Wide ( Weight)  
 Supported Weight: 18 Kg  
 VESA standard: 75 / 100 mm

Up to 26" Wide ( Weight)

75/100 mm

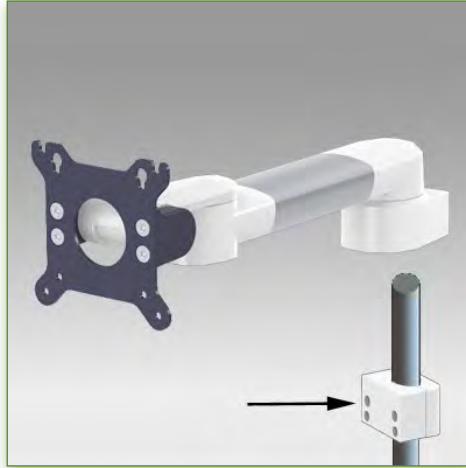
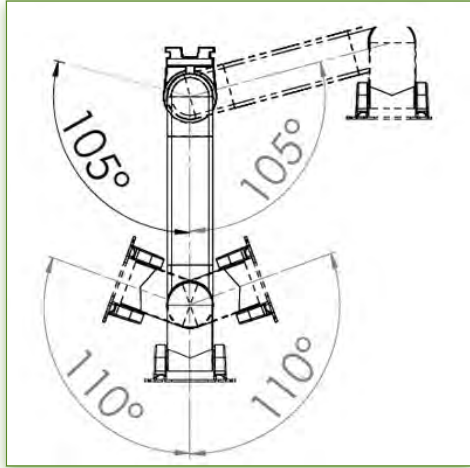
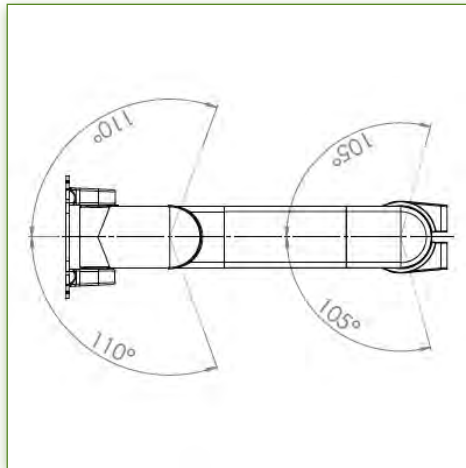
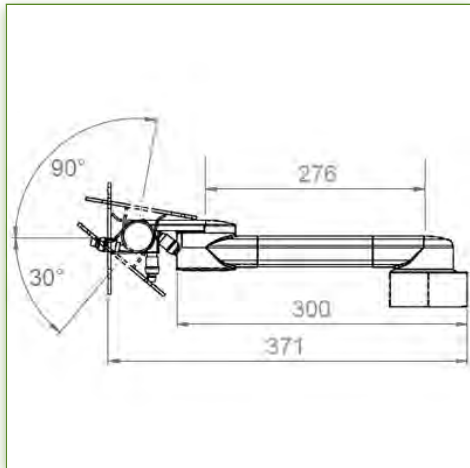
18 Kg

**MEDICAL  
GRADE**



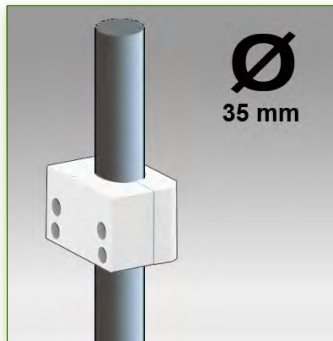
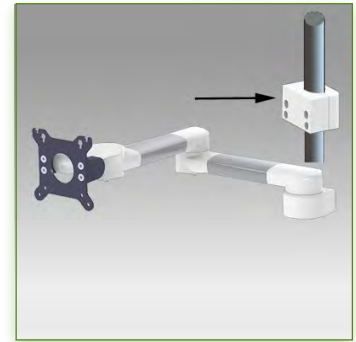
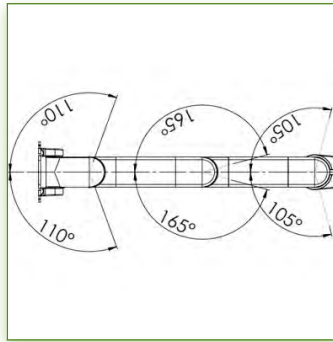
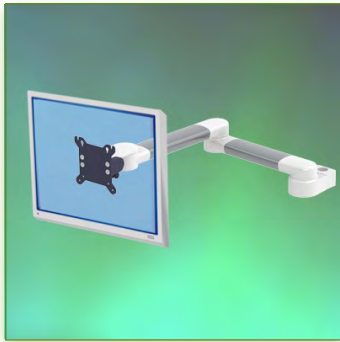
Do not hesitate to contact us if you have any questions about this product.

- Warranty: 5 years**
- 000.978.111
- Graphite Grey and White
- On Measure
- = Depending on the elements
- 978.111



**Anti-bacterial properties:**

IT medical arms are now designed with Microban antibacterial protection, a revolutionary treatment that guarantees optimal hygiene. IT medical arms integrate Microban and other antibacterial agents into all medical products. It inhibits the growth of bacteria of all types. This is not a surface treatment. It is 100% in the totality of the product. It does not alter the physico-mechanical properties of the medical arm lift system. Simulations over 30 years show that 100% of the antibacterial properties are maintained. All medical articulated arms incorporate Microban. Microban is the world's leading provider of anti-bacterial solutions. It has been successfully applied for more than 35 years in a wide range of products used in the hospital, construction and food industries.



Display Compatibility: 26" Wide ( Weight)  
 Supported Weight: 12,5 Kg  
 VESA standard: 75 / 100 mm

Up to 26" Wide ( Weight)  
 75/100 mm  
 12,5 Kg  
**MEDICAL GRADE**

Do not hesitate to contact us if you have any questions about this product.

**Warranty: 5 years**

000.978.112

Graphite Grey and White

On Measure

= Depending on the elements

978.112

**2 x 300 mm Horizontal Medical Monitor Arm, Mounting on 35 mm Fixed Pole**

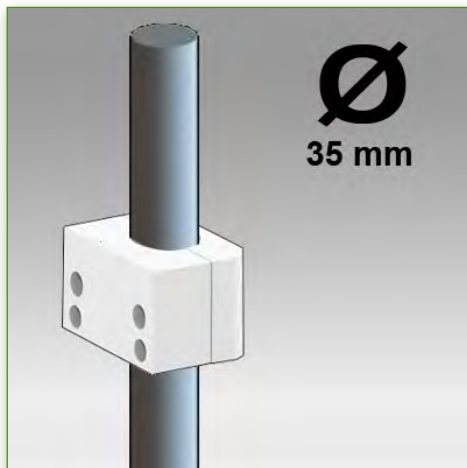
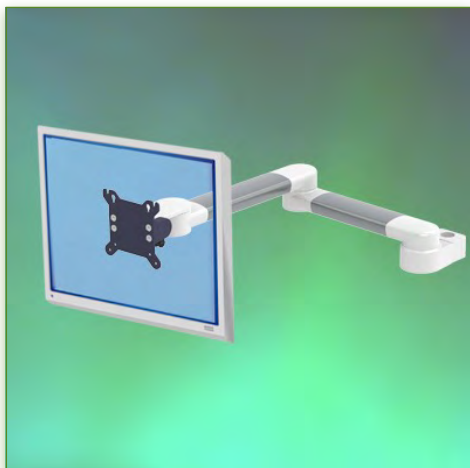
This 2 x 300 mm Horizontal Arm allows the LCD screen to be perfectly fixed, oriented and adjusted. It is coated with an anti-microbial agent offering hygiene and cleaning down to the last detail. Its modern design has been specially designed for healthcare environments.

**Technical specifications:**

- \* Integrated cable channel
- \* Mounting on 35 mm fixed pole, fixing ring included.
- \* This 2 x 300 mm Horizontal Arm simply slips on the 35 mm pole and then adjust to the desired height and fixed. He doesn't own height adjustment.
- \* The head of this arm complies with the screen mounting standard: VESA MIS-D 75 mm and 100 mm. Rotary head.
- \* Compatible with screens whose weight does not exceed 12,5 Kg.
- \* Touch screen stability.
- \* Screen tilt: 50° down and 100° up
- \* Screen rotation: 110° right, 110° left.
- \* Arm rotation: 105° to the right, 105° to the left.
- \* Total length 604 mm
- \* Compatible with multimedia terminals (TMM)
- \* Colour RAL 7024 (Graphite grey) and White
- \* All our medical arms are in conformity: CE, ROHS, Medical Grade, Regulations MDD 93/42 ECC.
- \* Warranty: 5 years

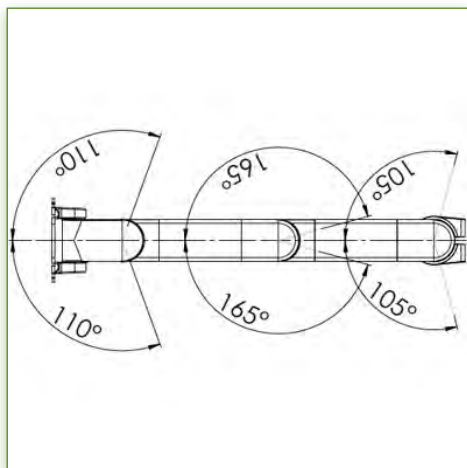
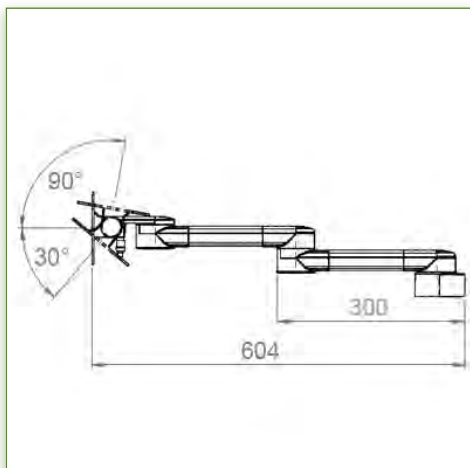
Note: This arm can also be installed on one of our medical columns or trolleys.





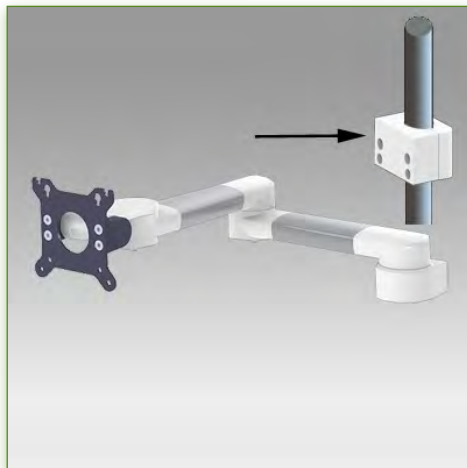
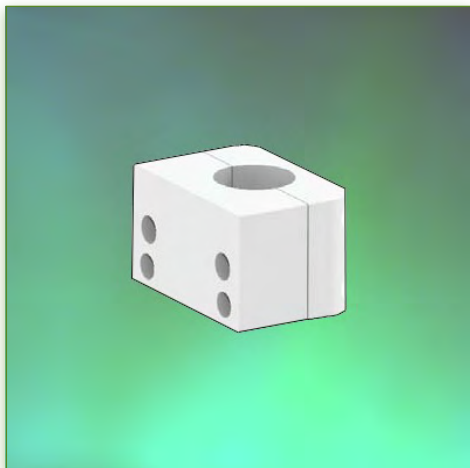
Display Compatibility: 26" Wide ( Weight)  
 Supported Weight: 12,5 Kg  
 VESA standard: 75 / 100 mm

Up to 26" Wide ( Weight)  
 75/100 mm  
 12,5 Kg  
**MEDICAL GRADE**



Do not hesitate to contact us if you have any questions about this product.

- Warranty: 5 years**
- 000.978.112
- Graphite Grey and White
- On Measure
- = Depending on the elements
- 978.112



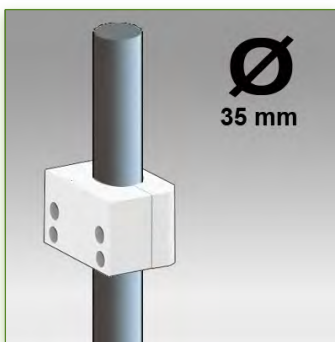
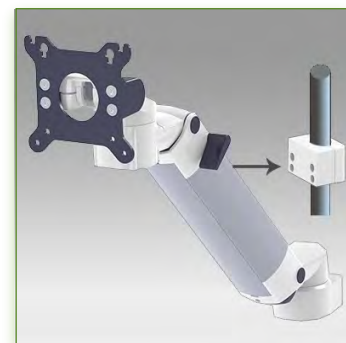
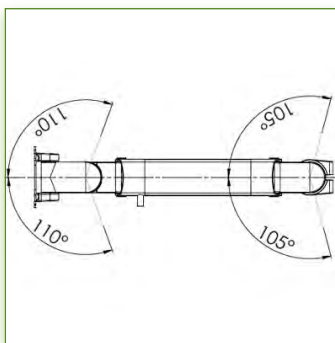
**Anti-bacterial properties:**

IT medical arms are now designed with Microban antibacterial protection, a revolutionary treatment that guarantees optimal hygiene. IT medical arms integrate Microban and other antibacterial agents into all medical products. It inhibits the growth of bacteria of all types. This is not a surface treatment.

It is 100% in the totality of the product.

It does not alter the physico-mechanical properties of the medical arm lift system. Simulations over 30 years show that 100% of the antibacterial properties are maintained.

All medical articulated arms incorporate Microban. Microban is the world's leading provider of anti-bacterial solutions. It has been successfully applied for more than 35 years in a wide range of products used in the hospital, construction and food industries.



Display Compatibility: 26" Wide ( Weight)  
 Supported Weight: 3-8 Kg  
 VESA standard: 75 / 100 mm

Up to 26" Wide ( Weight)  
 75/100 mm  
 3-8 Kg  
**MEDICAL GRADE**

Do not hesitate to contact us if you have any questions about this product.

**Warranty: 5 years**

000.978.113-1

Graphite Grey and White

On Measure

= Depending on the elements

978.113-1

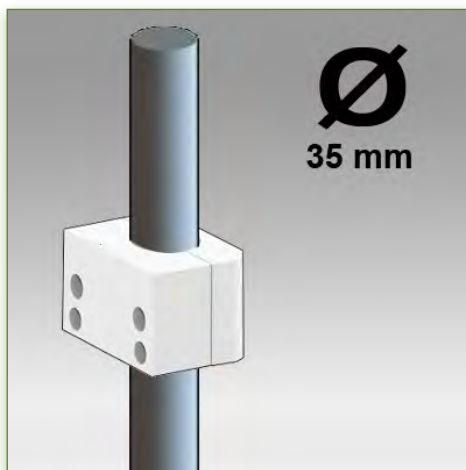
**300 mm height adjustable medical monitor arm, Mounting on 35 mm Fixed Pole**

This 300 mm Horizontal Medical Arm with gas spring height adjustment allows the LCD screen to be perfectly fixed, oriented and adjusted. It is coated with an anti-microbial agent offering hygiene and cleaning down to the last detail. Its modern design has been specially designed for healthcare environments.

**Technical specifications:**

- \* Integrated cable channel
- \* Equipotential bonding
- \* Mounting on 35 mm fixed pole, fixing ring included.
- \* This 300 mm Horizontal arm with gas spring simply slips into the pole 35 mm and then adjust to the desired height and fixed. It has a safety stop button for the height adjustment, which allows the arm to remain in the chosen position.
- \* The head of this arm complies with the screen mounting standard: VESA MIS-D 75 mm and 100 mm.
- \* Compatible with screens whose weight does not exceed 3-8 Kg.
- \* Touch screen stability.
- \* Screen tilt: 50° down and 100° up
- \* Screen rotation: 110° right, 110° left.
- \* Arm rotation: 105° to the right, 105° to the left.
- \* Height adjustment: 45° down, 45° up
- \* Total length 576 mm
- \* Compatible with multimedia terminals (TMM)
- \* Colour RAL 7024 (Graphite grey) and White
- \* All our medical arms are in conformity: CE, ROHS, Medical Grade, Regulations MDD 93/42 ECC.
- \* Warranty: 5 years

Note: This arm can also be installed on one of our medical columns or trolleys.



Display Compatibility: 26" Wide ( Weight)  
Supported Weight: 3-8 Kg  
VESA standard: 75 / 100 mm

Up to 26" Wide ( Weight)  
75/100 mm  
3-8 Kg  
**MEDICAL GRADE**



Do not hesitate to contact us if you have any questions about this product.

**Warranty: 5 years**

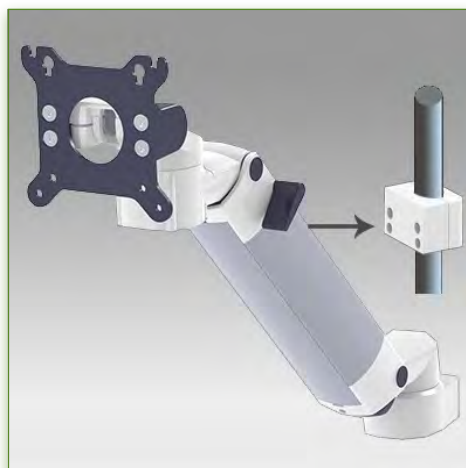
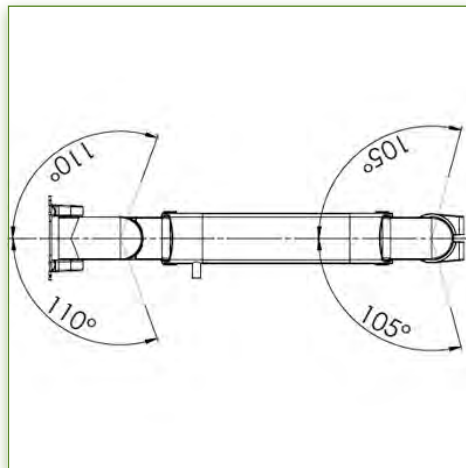
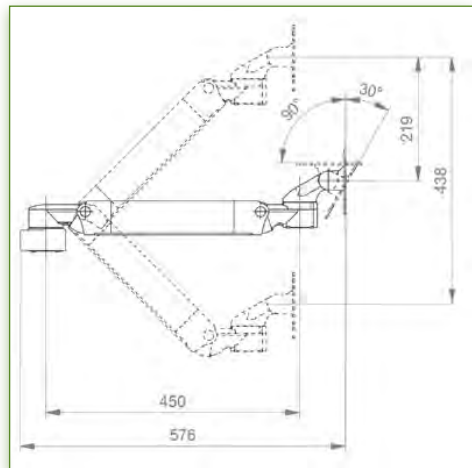
000.978.113-1

**Graphite Grey and White**

**On Measure**

= Depending on the elements

978.113-1



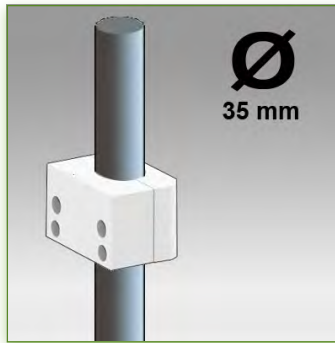
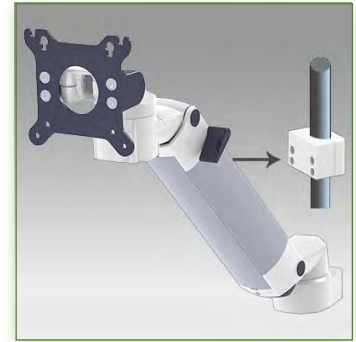
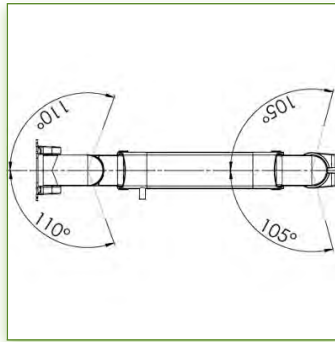
**Anti-bacterial properties:**

IT medical arms are now designed with Microban antibacterial protection, a revolutionary treatment that guarantees optimal hygiene. IT medical arms integrate Microban and other antibacterial agents into all medical products. It inhibits the growth of bacteria of all types. This is not a surface treatment.

It is 100% in the totality of the product.

It does not alter the physico-mechanical properties of the medical arm lift system. Simulations over 30 years show that 100% of the antibacterial properties are maintained.

All medical articulated arms incorporate Microban. Microban is the world's leading provider of anti-bacterial solutions. It has been successfully applied for more than 35 years in a wide range of products used in the hospital, construction and food industries.



Display Compatibility: 26" Wide ( Weight)  
 Supported Weight: 5-11 Kg  
 VESA standard: 75 / 100 mm

Up to 26" Wide ( Weight)  
 75/100 mm  
 5-11 Kg  
**MEDICAL GRADE**

Do not hesitate to contact us if you have any questions about this product.

**Warranty: 5 years**

000.978.113-2

**Graphite Grey and White**

**On Measure**

**= Depending on the elements**

**978.113-2**

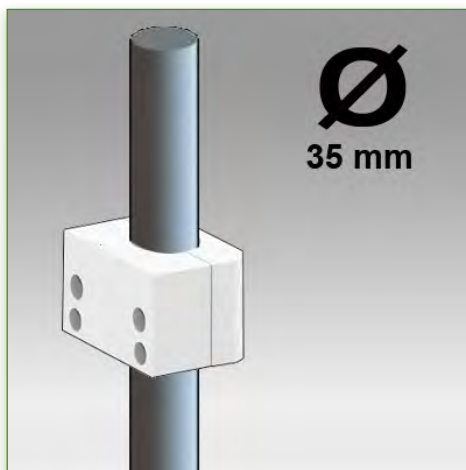
**300 mm height adjustable medical monitor arm, Mounting on 35 mm Fixed Pole**

This 300 mm Horizontal Medical Arm with gas spring height adjustment allows the LCD screen to be perfectly fixed, oriented and adjusted. It is coated with an anti-microbial agent offering hygiene and cleaning down to the last detail. Its modern design has been specially designed for healthcare environments.

**Technical specifications:**

- \* Integrated cable channel
- \* Equipotential bonding
- \* Mounting on 35 mm fixed pole, fixing ring included.
- \* This 300 mm Horizontal arm with gas spring simply slips into the pole 35 mm and then adjust to the desired height and fixed. It has a safety stop button for the height adjustment, which allows the arm to remain in the chosen position.
- \* The head of this arm complies with the screen mounting standard: VESA MIS-D 75 mm and 100 mm.
- \* Compatible with screens whose weight does not exceed 5-11 Kg.
- \* Touch screen stability.
- \* Screen tilt: 50° down and 100° up
- \* Screen rotation: 110° right, 110° left.
- \* Arm rotation: 105° to the right, 105° to the left.
- \* Height adjustment: 45° down, 45° up
- \* Total length 576 mm
- \* Compatible with multimedia terminals (TMM)
- \* Colour RAL 7024 (Graphite grey) and White
- \* All our medical arms are in conformity: CE, ROHS, Medical Grade, Regulations MDD 93/42 ECC.
- \* Warranty: 5 years

Note: This arm can also be installed on one of our medical columns or trolleys.



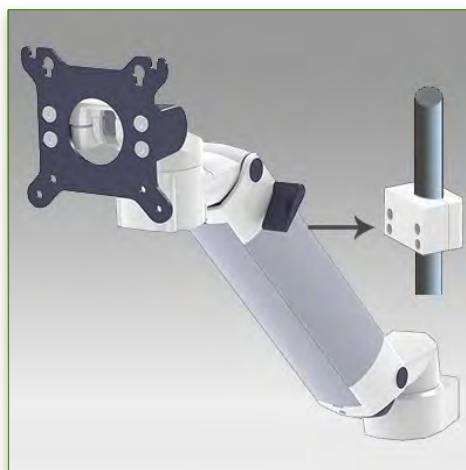
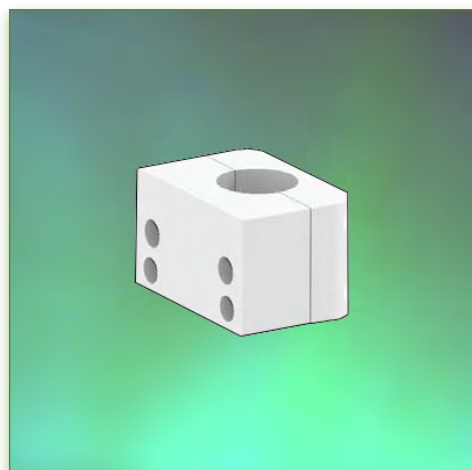
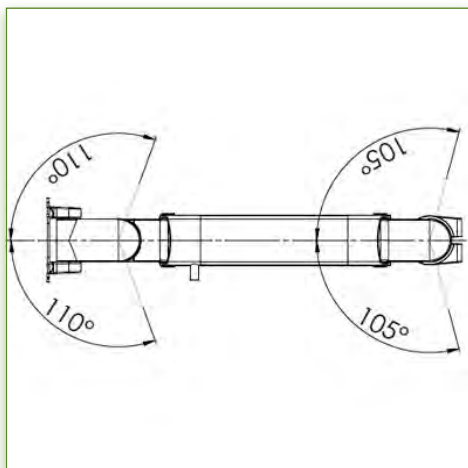
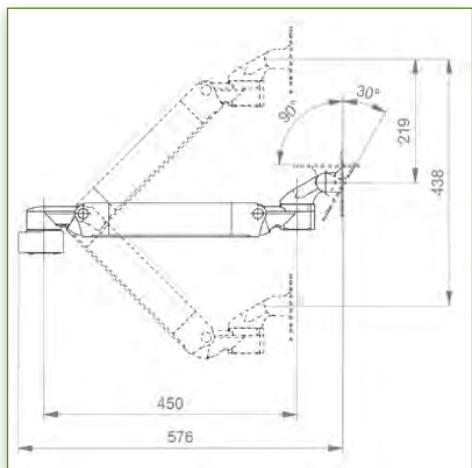
Display Compatibility: 26" Wide ( Weight)  
Supported Weight: 5-11 Kg  
VESA standard: 75 / 100 mm

Up to 26" Wide ( Weight)  
75/100 mm  
5-11 Kg



Do not hesitate to contact us if you have any questions about this product.

- Warranty: 5 years
- 000.978.113-2
- Graphite Grey and White
- On Measure
- = Depending on the elements
- 978.113-2

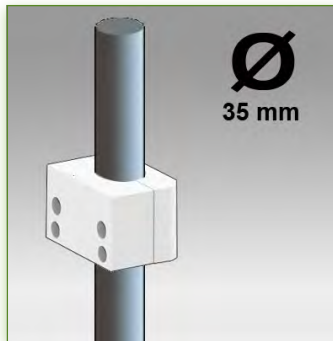
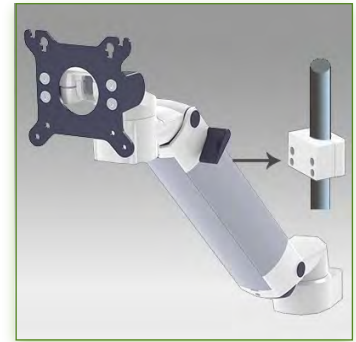
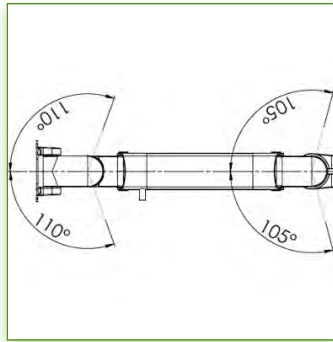
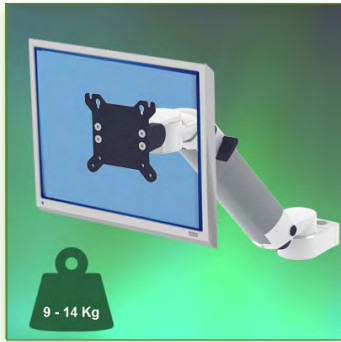


**Anti-bacterial properties:**

IT medical arms are now designed with Microban antibacterial protection, a revolutionary treatment that guarantees optimal hygiene. IT medical arms integrate Microban and other antibacterial agents into all medical products. It inhibits the growth of bacteria of all types. This is not a surface treatment.

It is 100% in the totality of the product. It does not alter the physico-mechanical properties of the medical arm lift system. Simulations over 30 years show that 100% of the antibacterial properties are maintained.

All medical articulated arms incorporate Microban. Microban is the world's leading provider of anti-bacterial solutions. It has been successfully applied for more than 35 years in a wide range of products used in the hospital, construction and food industries.



Display Compatibility: 26" Wide ( Weight)  
 Supported Weight: 9-14 Kg  
 VESA standard: 75 / 100 mm

**300 mm height adjustable medical monitor arm, Mounting on 35 mm Fixed Pole**

This 300 mm Horizontal Medical Arm with gas spring height adjustment allows the LCD screen to be perfectly fixed, oriented and adjusted. It is coated with an anti-microbial agent offering hygiene and cleaning down to the last detail. Its modern design has been specially designed for healthcare environments.

**Technical specifications:**

- \* Integrated cable channel
- \* Equipotential bonding
- \* Mounting on 35 mm fixed pole, fixing ring included.
- \* This 300 mm Horizontal arm with gas spring simply slips into the pole 35 mm and then adjust to the desired height and fixed. It has a safety stop button for the height adjustment, which allows the arm to remain in the chosen position.
- \* The head of this arm complies with the screen mounting standard: VESA MIS-D 75 mm and 100 mm.
- \* Compatible with screens whose weight does not exceed 9-14 Kg.
- \* Touch screen stability.
- \* Screen tilt: 50° down and 100° up
- \* Screen rotation: 110° right, 110° left.
- \* Arm rotation: 105° to the right, 105° to the left.
- \* Height adjustment: 45° down, 45° up
- \* Total length 576 mm
- \* Compatible with multimedia terminals (TMM)
- \* Colour RAL 7024 (Graphite grey) and White
- \* All our medical arms are in conformity: CE, ROHS, Medical Grade, Regulations MDD 93/42 ECC.
- \* Warranty: 5 years

Note: This arm can also be installed on one of our medical columns or trolleys.

Up to 26" Wide ( Weight)  
 75/100 mm  
 9-14 Kg  
**MEDICAL GRADE**

Do not hesitate to contact us if you have any questions about this product.

**Warranty: 5 years**

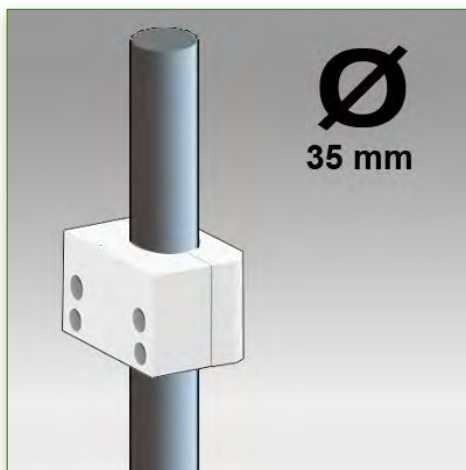
000.978.113-3

Graphite Grey and White

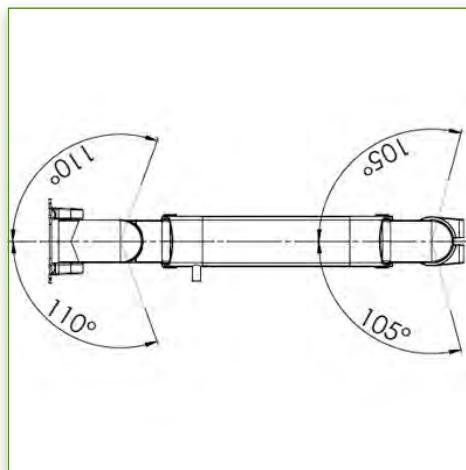
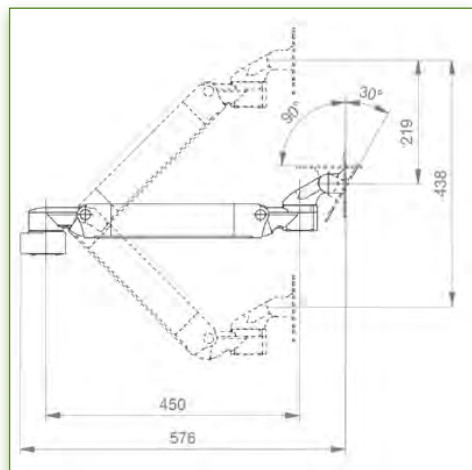
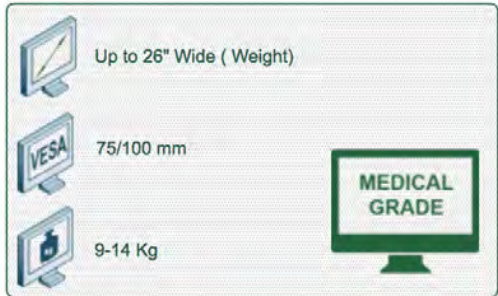
On Measure

= Depending on the elements

978.113-3



Display Compatibility: 26" Wide ( Weight)  
 Supported Weight: 9-14 Kg  
 VESA standard: 75 / 100 mm



Do not hesitate to contact us if you have any questions about this product.

Warranty: 5 years

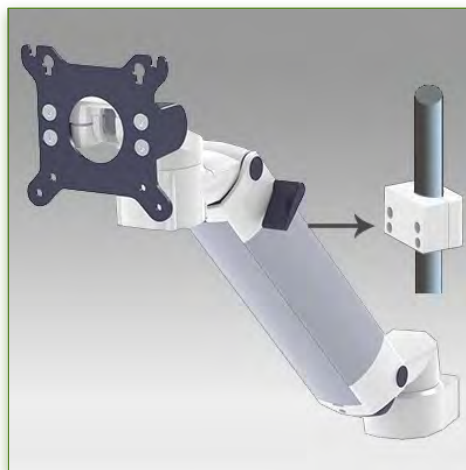
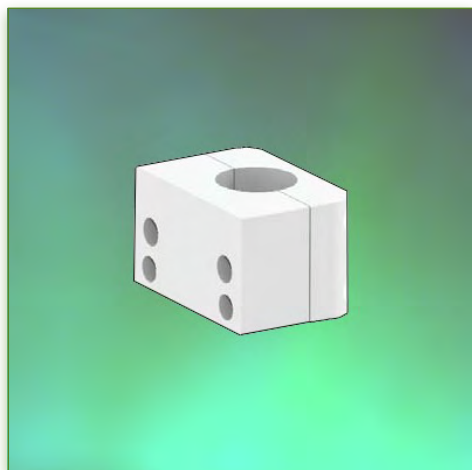
000.978.113-3

Graphite Grey and White

On Measure

= Depending on the elements

978.113-3



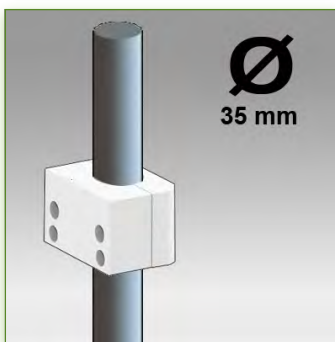
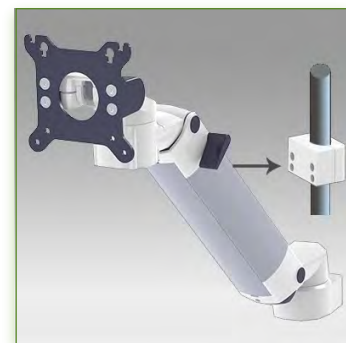
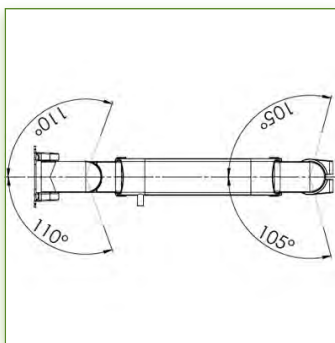
**Anti-bacterial properties:**

IT medical arms are now designed with Microban antibacterial protection, a revolutionary treatment that guarantees optimal hygiene. IT medical arms integrate Microban and other antibacterial agents into all medical products. It inhibits the growth of bacteria of all types. This is not a surface treatment.

It is 100% in the totality of the product.

It does not alter the physico-mechanical properties of the medical arm lift system. Simulations over 30 years show that 100% of the antibacterial properties are maintained.

All medical articulated arms incorporate Microban. Microban is the world's leading provider of anti-bacterial solutions. It has been successfully applied for more than 35 years in a wide range of products used in the hospital, construction and food industries.



Display Compatibility: 26" Wide ( Weight)  
 Supported Weight: 13-18 Kg  
 VESA standard: 75 / 100 mm

**300 mm height adjustable medical monitor arm, Mounting on 35 mm Fixed Pole**

This 300 mm Horizontal Medical Arm with gas spring height adjustment allows the LCD screen to be perfectly fixed, oriented and adjusted. It is coated with an anti-microbial agent offering hygiene and cleaning down to the last detail. Its modern design has been specially designed for healthcare environments.

**Technical specifications:**

- \* Integrated cable channel
- \* Equipotential bonding
- \* Mounting on 35 mm fixed pole, fixing ring included.
- \* This 300 mm Horizontal arm with gas spring simply slips into the pole 35 mm and then adjust to the desired height and fixed. It has a safety stop button for the height adjustment, which allows the arm to remain in the chosen position.
- \* The head of this arm complies with the screen mounting standard: VESA MIS-D 75 mm and 100 mm.
- \* Compatible with screens whose weight does not exceed 13-18 Kg.
- \* Touch screen stability.
- \* Screen tilt: 50° down and 100° up \* Screen rotation: 110° right, 110° left.
- \* Arm rotation: 105° to the right, 105° to the left.
- \* Height adjustment: 45° down, 45° up
- \* Total length 576 mm
- \* Compatible with multimedia terminals (TMM)
- \* Colour RAL 7024 (Graphite grey) and White
- \* All our medical arms are in conformity: CE, ROHS, Medical Grade, Regulations MDD 93/42 ECC.
- \* Warranty: 5 years

Note: This arm can also be installed on one of our medical columns or trolleys.

Jusque 26" Wide ( Poids )  
 75/100 mm  
 13-18 Kg  
**MEDICAL GRADE**

Do not hesitate to contact us if you have any questions about this product.

**Warranty: 5 years**

000.978.113-4

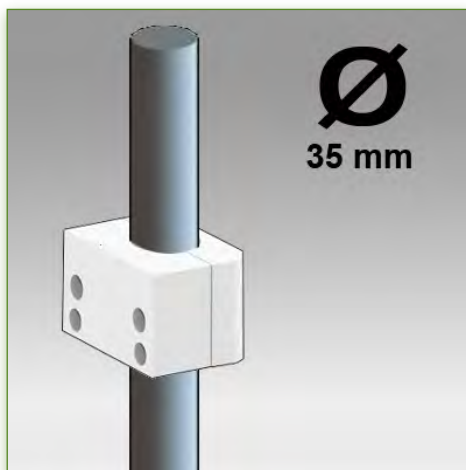
Graphite Grey and White

On Measure

= Depending on the elements

978.113-4





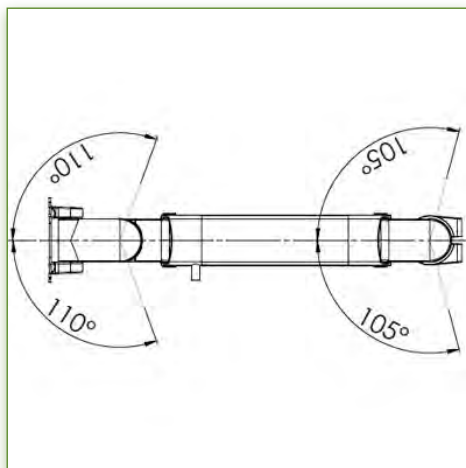
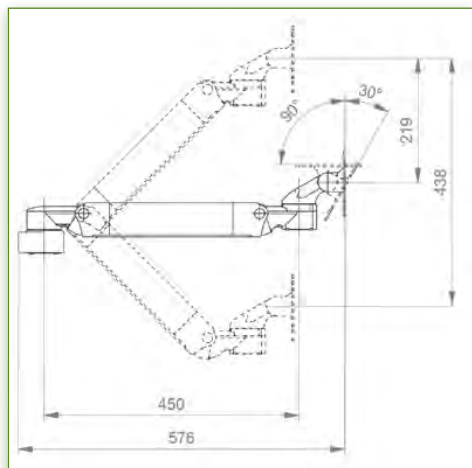
Display Compatibility: 26" Wide ( Weight)  
Supported Weight: 13-18 Kg  
VESA standard: 75 / 100 mm

Jusque 26" Wide ( Poids )

VESA 75/100 mm

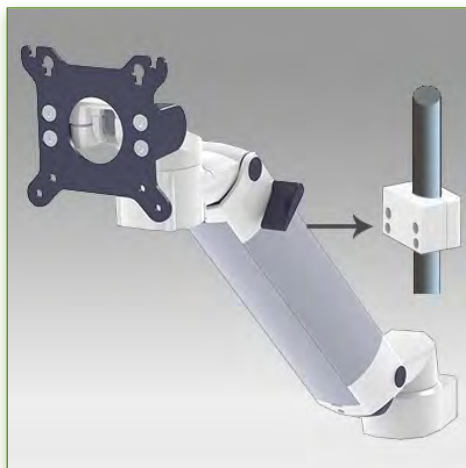
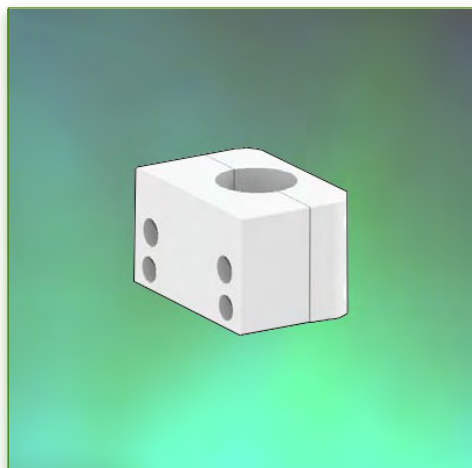
13-18 Kg

**MEDICAL GRADE**



Do not hesitate to contact us if you have any questions about this product.

- Warranty: 5 years**
- 000.978.113-4
- Graphite Grey and White
- On Measure
- = Depending on the elements
- 978.113-4

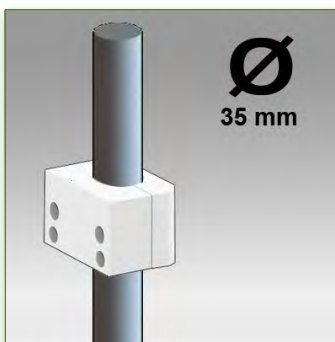
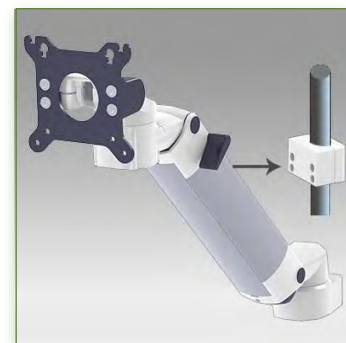
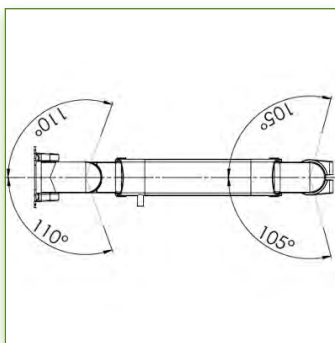
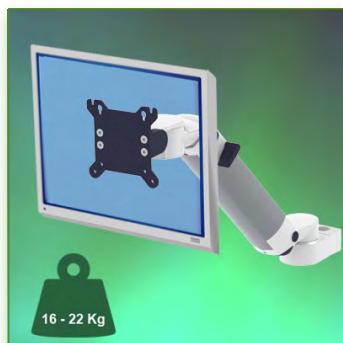


**Anti-bacterial properties:**

IT medical arms are now designed with Microban antibacterial protection, a revolutionary treatment that guarantees optimal hygiene. IT medical arms integrate Microban and other antibacterial agents into all medical products. It inhibits the growth of bacteria of all types. This is not a surface treatment.

It is 100% in the totality of the product. It does not alter the physico-mechanical properties of the medical arm lift system. Simulations over 30 years show that 100% of the antibacterial properties are maintained.

All medical articulated arms incorporate Microban. Microban is the world's leading provider of anti-bacterial solutions. It has been successfully applied for more than 35 years in a wide range of products used in the hospital, construction and food industries.



Display Compatibility: 26" Wide ( Weight)  
 Supported Weight: 16-22 Kg  
 VESA standard: 75 / 100 mm

**300 mm height adjustable medical monitor arm, Mounting on 35 mm Fixed Pole**

This 300 mm Horizontal Medical Arm with gas spring height adjustment allows the LCD screen to be perfectly fixed, oriented and adjusted. It is coated with an anti-microbial agent offering hygiene and cleaning down to the last detail. Its modern design has been specially designed for healthcare environments.

**Technical specifications:**

- \* Integrated cable channel
- \* Equipotential bonding
- \* Mounting on 35 mm fixed pole, fixing ring included.
- \* This 300 mm Horizontal arm with gas spring simply slips into the pole 35 mm and then adjust to the desired height and fixed. It has a safety stop button for the height adjustment, which allows the arm to remain in the chosen position.
- \* The head of this arm complies with the screen mounting standard: VESA MIS-D 75 mm and 100 mm.
- \* Compatible with screens whose weight does not exceed 16-22 Kg.
- \* Touch screen stability.
- \* Screen tilt: 50° down and 100° up
- \* Screen rotation: 110° right, 110° left.
- \* Arm rotation: 105° to the right, 105° to the left.
- \* Height adjustment: 45° down, 45° up
- \* Total length 576 mm
- \* Compatible with multimedia terminals (TMM)
- \* Colour RAL 7024 (Graphite grey) and White
- \* All our medical arms are in conformity: CE, ROHS, Medical Grade, Regulations MDD 93/42 ECC.
- \* Warranty: 5 years

Note: This arm can also be installed on one of our medical columns or trolleys.

Up to 26" Wide ( Weight)  
 75/100 mm  
 16-22 Kg  
**MEDICAL GRADE**

Do not hesitate to contact us if you have any questions about this product.

**Warranty: 5 years**

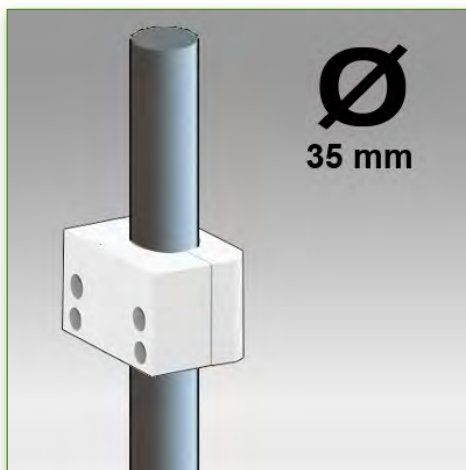
000.978.113-5

Graphite Grey and White

On Measure

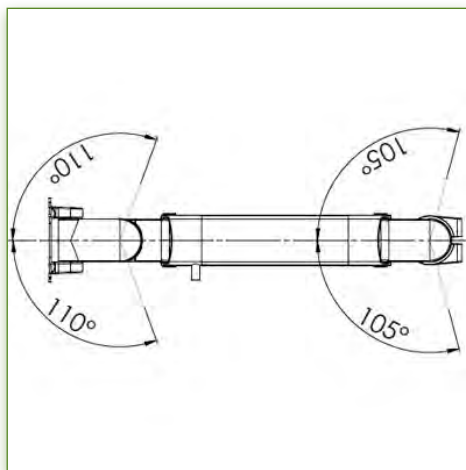
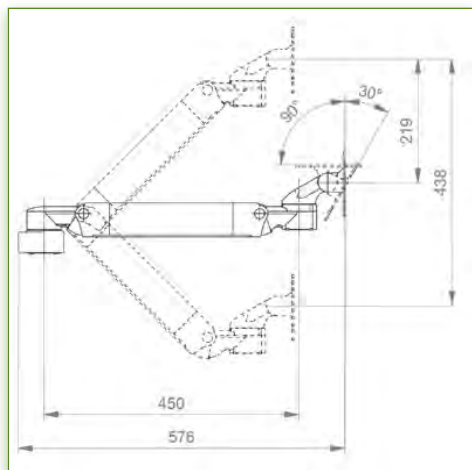
= Depending on the elements

978.113-5



Display Compatibility: 26" Wide ( Weight)  
Supported Weight: 16-22 Kg  
VESA standard: 75 / 100 mm

Up to 26" Wide ( Weight)  
75/100 mm  
16-22 Kg



Do not hesitate to contact us if you have any questions about this product.

**Warranty: 5 years**

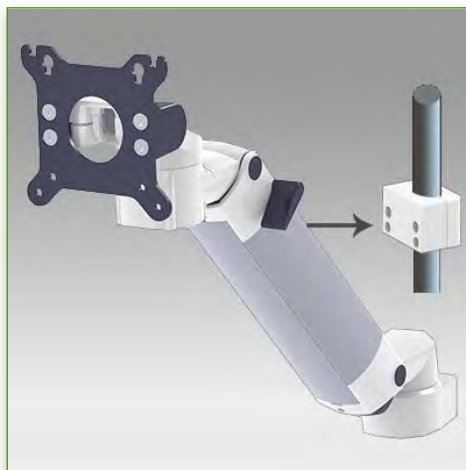
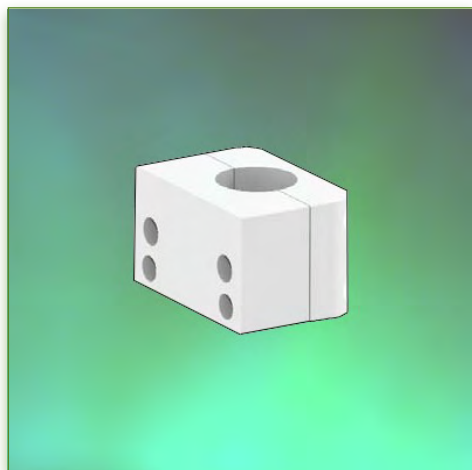
000.978.113-5

Graphite Grey and White

On Measure

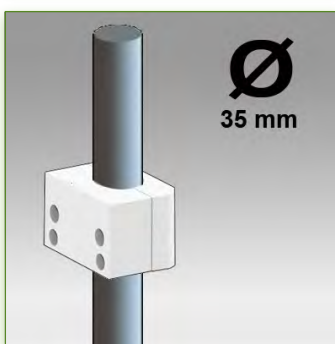
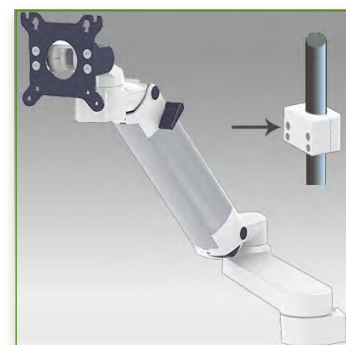
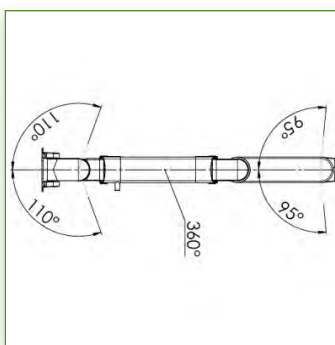
= Depending on the elements

978.113-5

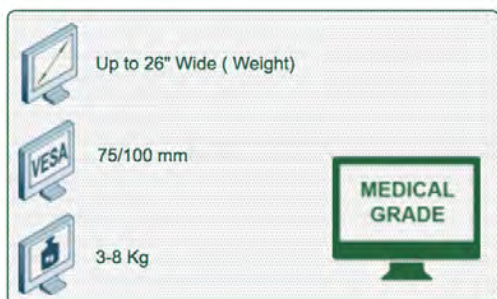


**Anti-bacterial properties:**

IT medical arms are now designed with Microban antibacterial protection, a revolutionary treatment that guarantees optimal hygiene. IT medical arms integrate Microban and other antibacterial agents into all medical products. It inhibits the growth of bacteria of all types. This is not a surface treatment. It is 100% in the totality of the product. It does not alter the physico-mechanical properties of the medical arm lift system. Simulations over 30 years show that 100% of the antibacterial properties are maintained. All medical articulated arms incorporate Microban. Microban is the world's leading provider of anti-bacterial solutions. It has been successfully applied for more than 35 years in a wide range of products used in the hospital, construction and food industries.



Display Compatibility: 26" Wide ( Weight)  
 Supported Weight: 3-8 Kg  
 VESA standard: 75 / 100 mm



Do not hesitate to contact us if you have any questions about this product.

Warranty: 5 years

000.978.540-1

Graphite Grey and White

On Measure

= Depending on the elements

978.540-1

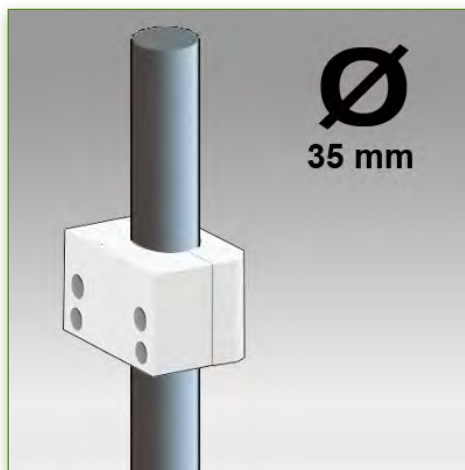
**300 + 240 mm height adjustable medical monitor arm, Mounting on 35 mm Fixed Pole**

This 300 + 240 mm Horizontal Medical Arm with gas spring height adjustment allows the LCD screen to be perfectly fixed, oriented and adjusted. It is coated with an anti-microbial agent offering hygiene and cleaning down to the last detail. Its modern design has been specially designed for healthcare environments.

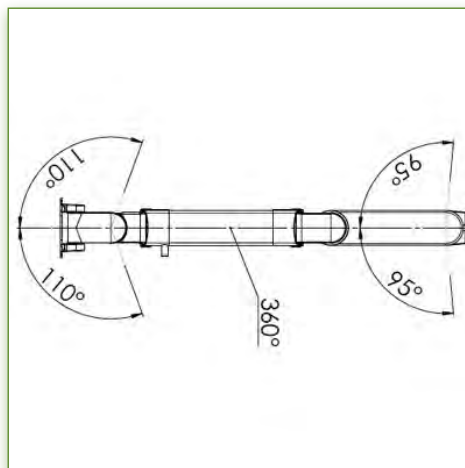
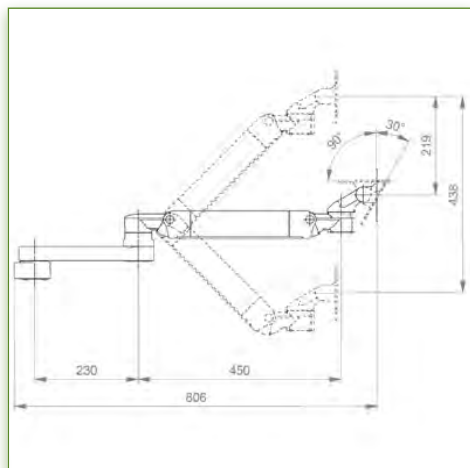
**Technical specifications:**

- \* Integrated cable channel
- \* Equipotential bonding
- \* Mounting on 35 mm fixed pole, fixing ring included.
- \* This 300 + 240 mm Horizontal arm with gas spring simply slips into the pole 35 mm and then adjust to the desired height and fixed.
- \* It has a safety stop button for the height adjustment, which allows the arm to remain in the chosen position.
- \* The head of this arm complies with the screen mounting standard: VESA MIS-D 75 mm and 100 mm.
- \* Compatible with screens whose weight does not exceed 3-8 Kg.
- \* Touch screen stability.
- \* Screen tilt: 50° down and 100° up
- \* Screen rotation: 110° right, 110° left.
- \* Arm rotation: 105° to the right, 105° to the left.
- \* Height adjustment: 45° down, 45° up
- \* Total length 806 mm
- \* Compatible with multimedia terminals (TMM)
- \* Colour RAL 7024 (Graphite grey) and White
- \* All our medical arms are in conformity: CE, ROHS, Medical Grade, Regulations MDD 93/42 ECC.
- \* Warranty: 5 years

Note: This arm can also be installed on one of our medical columns or trolleys.



Display Compatibility: 26" Wide ( Weight)  
Supported Weight: 3-8 Kg  
VESA standard: 75 / 100 mm



Do not hesitate to contact us if you have any questions about this product.

Warranty: 5 years

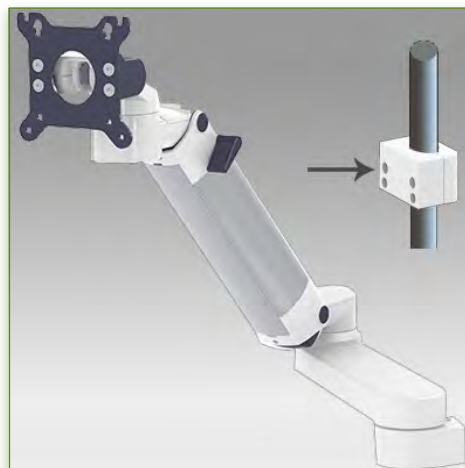
000.978.540-1

Graphite Grey and White

On Measure

= Depending on the elements

978.540-1



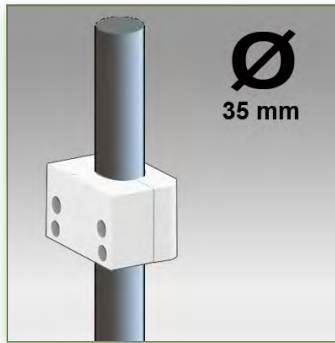
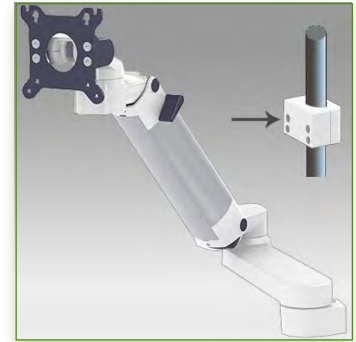
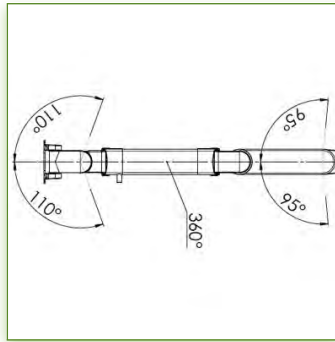
**Anti-bacterial properties:**

IT medical arms are now designed with Microban antibacterial protection, a revolutionary treatment that guarantees optimal hygiene. IT medical arms integrate Microban and other antibacterial agents into all medical products. It inhibits the growth of bacteria of all types. This is not a surface treatment.

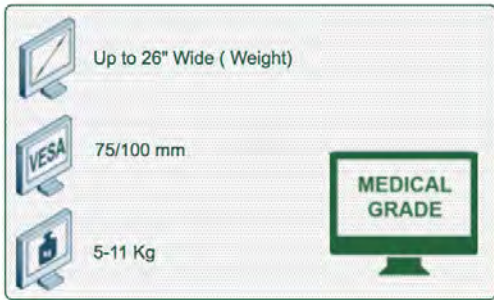
It is 100% in the totality of the product.

It does not alter the physico-mechanical properties of the medical arm lift system. Simulations over 30 years show that 100% of the antibacterial properties are maintained.

All medical articulated arms incorporate Microban. Microban is the world's leading provider of anti-bacterial solutions. It has been successfully applied for more than 35 years in a wide range of products used in the hospital, construction and food industries.



Display Compatibility: 26" Wide ( Weight)  
 Supported Weight: 5-11 Kg  
 VESA standard: 75 / 100 mm



Do not hesitate to contact us if you have any questions about this product.

Warranty: 5 years

000.978.540-2

Graphite Grey and White

On Measure

= Depending on the elements

978.540-2

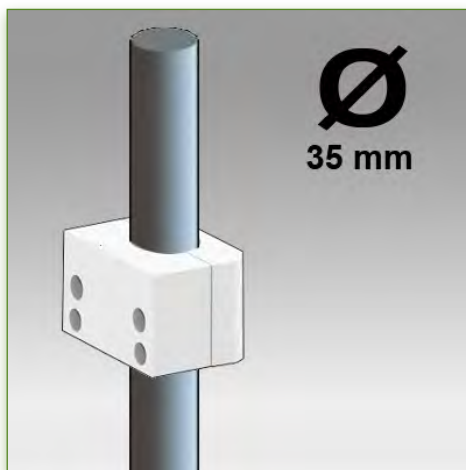
**300 + 240 mm height adjustable medical monitor arm, Mounting on 35 mm Fixed Pole**

This 300 + 240 mm Horizontal Medical Arm with gas spring height adjustment allows the LCD screen to be perfectly fixed, oriented and adjusted. It is coated with an anti-microbial agent offering hygiene and cleaning down to the last detail. Its modern design has been specially designed for healthcare environments.

**Technical specifications:**

- \* Integrated cable channel
- \* Equipotential bonding
- \* Mounting on 35 mm fixed pole, fixing ring included.
- \* This 300 + 240 mm Horizontal arm with gas spring simply slips into the pole 35 mm and then adjust to the desired height and fixed.
- \* It has a safety stop button for the height adjustment, which allows the arm to remain in the chosen position.
- \* The head of this arm complies with the screen mounting standard: VESA MIS-D 75 mm and 100 mm.
- \* Compatible with screens whose weight does not exceed 5-11 Kg.
- \* Touch screen stability.
- \* Screen tilt: 50° down and 100° up \* Screen rotation: 110° right, 110° left.
- \* Arm rotation: 105° to the right, 105° to the left.
- \* Height adjustment: 45° down, 45° up
- \* Total length 806 mm
- \* Compatible with multimedia terminals (TMM)
- \* Colour RAL 7024 (Graphite grey) and White
- \* All our medical arms are in conformity: CE, ROHS, Medical Grade, Regulations MDD 93/42 ECC.
- \* Warranty: 5 years

Note: This arm can also be installed on one of our medical columns or trolleys.



Display Compatibility: 26" Wide ( Weight)  
Supported Weight: 5-11 Kg  
VESA standard: 75 / 100 mm

Up to 26" Wide ( Weight)  
75/100 mm  
5-11 Kg  
**MEDICAL GRADE**



Do not hesitate to contact us if you have any questions about this product.

Warranty: 5 years

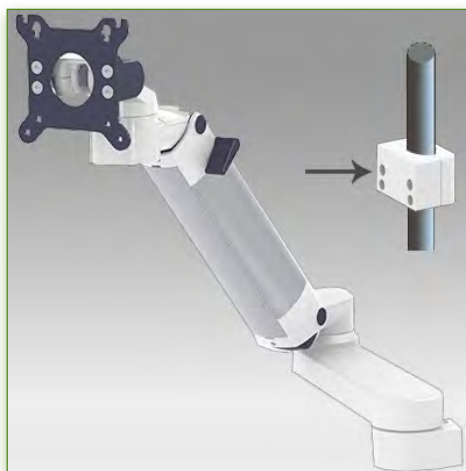
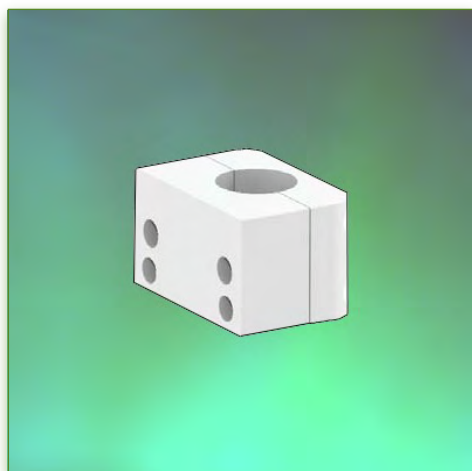
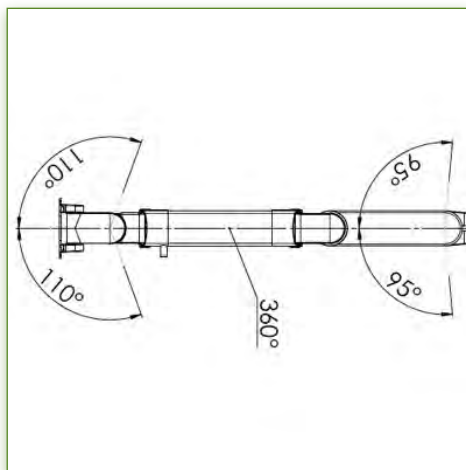
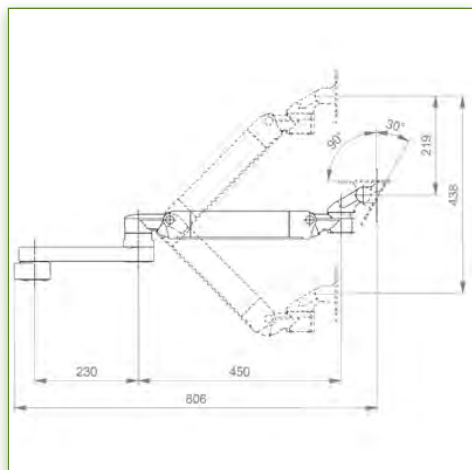
000.978.540-2

Graphite Grey and White

On Measure

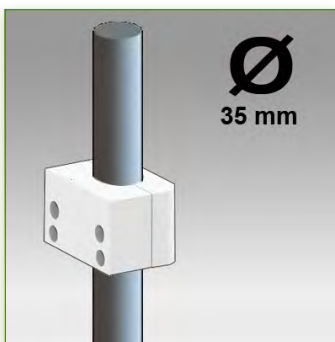
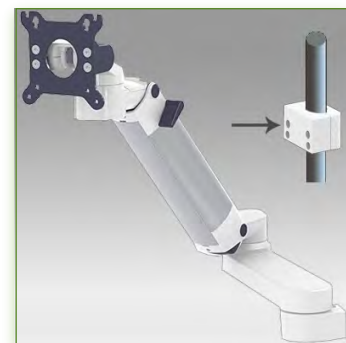
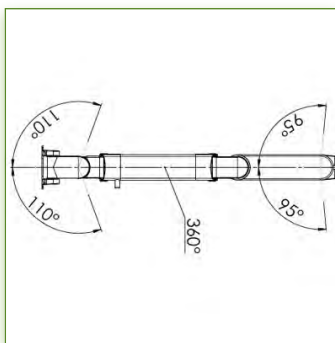
= Depending on the elements

978.540-2



**Anti-bacterial properties:**

IT medical arms are now designed with Microban antibacterial protection, a revolutionary treatment that guarantees optimal hygiene. IT medical arms integrate Microban and other antibacterial agents into all medical products. It inhibits the growth of bacteria of all types. This is not a surface treatment. It is 100% in the totality of the product. It does not alter the physico-mechanical properties of the medical arm lift system. Simulations over 30 years show that 100% of the antibacterial properties are maintained. All medical articulated arms incorporate Microban. Microban is the world's leading provider of anti-bacterial solutions. It has been successfully applied for more than 35 years in a wide range of products used in the hospital, construction and food industries.



Display Compatibility: 26" Wide ( Weight)  
 Supported Weight: 9-14 Kg  
 VESA standard: 75 / 100 mm

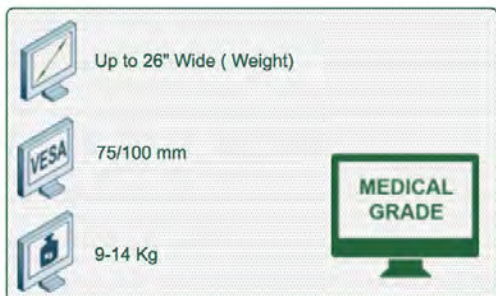
**300 + 240 mm height adjustable medical monitor arm, Mounting on 35 mm Fixed Pole**

This 300 + 240 mm Horizontal Medical Arm with gas spring height adjustment allows the LCD screen to be perfectly fixed, oriented and adjusted. It is coated with an anti-microbial agent offering hygiene and cleaning down to the last detail. Its modern design has been specially designed for healthcare environments.

**Technical specifications:**

- \* Integrated cable channel
- \* Equipotential bonding
- \* Mounting on 35 mm fixed pole, fixing ring included.
- \* This 300 + 240 mm Horizontal arm with gas spring simply slips into the pole 35 mm and then adjust to the desired height and fixed.
- \* It has a safety stop button for the height adjustment, which allows the arm to remain in the chosen position.
- \* The head of this arm complies with the screen mounting standard: VESA MIS-D 75 mm and 100 mm.
- \* Compatible with screens whose weight does not exceed 9-14 Kg.
- \* Touch screen stability.
- \* Screen tilt: 50° down and 100° up
- \* Screen rotation: 110° right, 110° left.
- \* Arm rotation: 105° to the right, 105° to the left.
- \* Height adjustment: 45° down, 45° up
- \* Total length 806 mm
- \* Compatible with multimedia terminals (TMM)
- \* Colour RAL 7024 (Graphite grey) and White
- \* All our medical arms are in conformity: CE, ROHS, Medical Grade, Regulations MDD 93/42 ECC.
- \* Warranty: 5 years

Note: This arm can also be installed on one of our medical columns or trolleys.



Do not hesitate to contact us if you have any questions about this product.

Warranty: 5 years

000.978.540-3

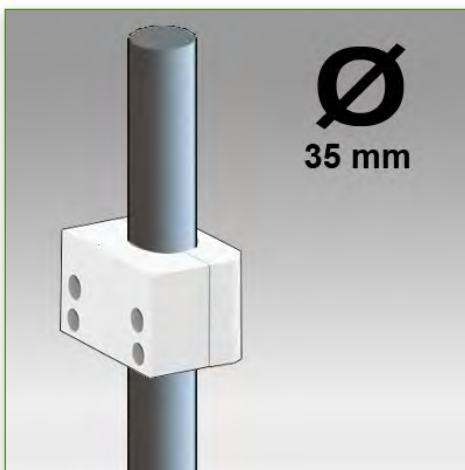
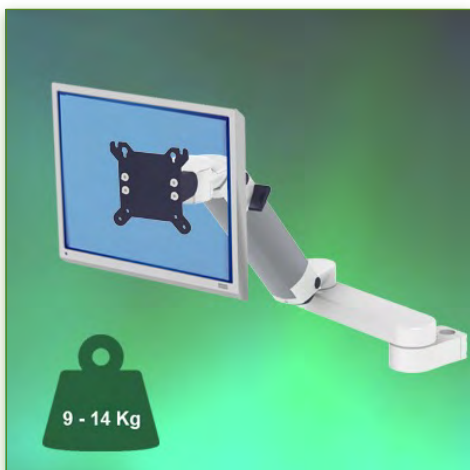
Graphite Grey and White

On Measure

= Depending on the elements

978.540-3





Display Compatibility: 26" Wide ( Weight)  
Supported Weight: 9-14 Kg  
VESA standard: 75 / 100 mm

Up to 26" Wide ( Weight)  
75/100 mm  
9-14 Kg



Do not hesitate to contact us if you have any questions about this product.

**Warranty: 5 years**

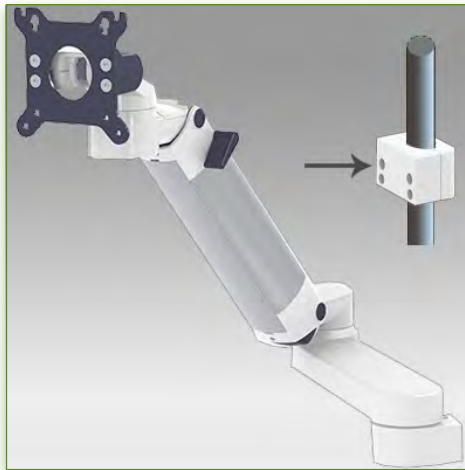
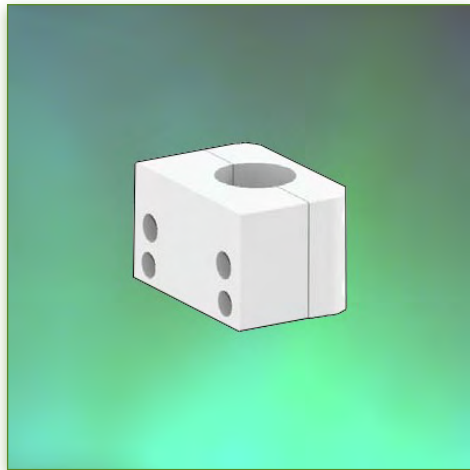
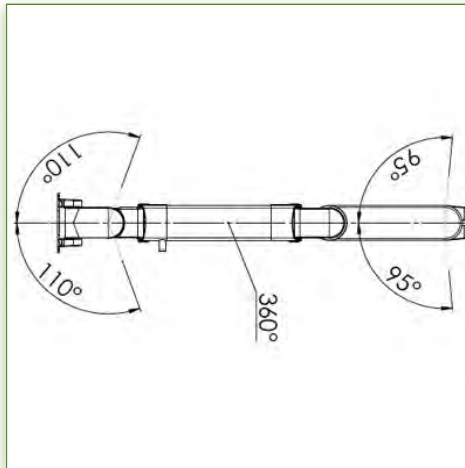
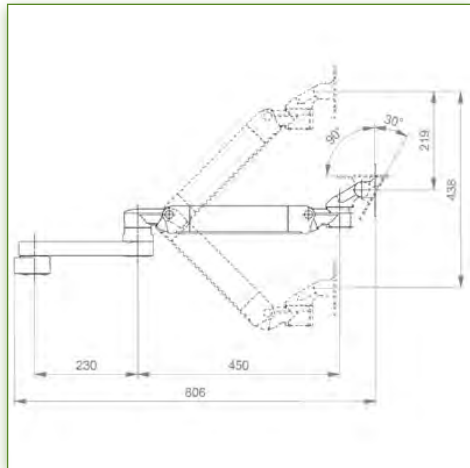
000.978.540-3

Graphite Grey and White

On Measure

= Depending on the elements

978.540-3

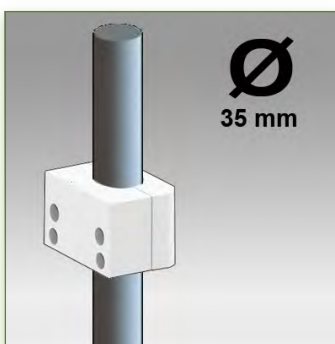
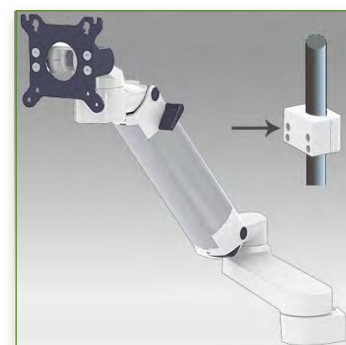
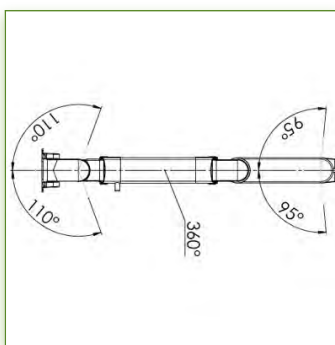
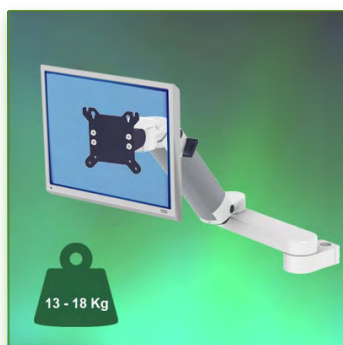


**Anti-bacterial properties:**

IT medical arms are now designed with Microban antibacterial protection, a revolutionary treatment that guarantees optimal hygiene. IT medical arms integrate Microban and other antibacterial agents into all medical products. It inhibits the growth of bacteria of all types. This is not a surface treatment.

It is 100% in the totality of the product. It does not alter the physico-mechanical properties of the medical arm lift system. Simulations over 30 years show that 100% of the antibacterial properties are maintained.

All medical articulated arms incorporate Microban. Microban is the world's leading provider of anti-bacterial solutions. It has been successfully applied for more than 35 years in a wide range of products used in the hospital, construction and food industries.



**300 + 240 mm height adjustable medical monitor arm, Mounting on 35 mm Fixed Pole**

This 300 + 240 mm Horizontal Medical Arm with gas spring height adjustment allows the LCD screen to be perfectly fixed, oriented and adjusted. It is coated with an anti-microbial agent offering hygiene and cleaning down to the last detail. Its modern design has been specially designed for healthcare environments.

**Technical specifications:**

- \* Integrated cable channel
- \* Equipotential bonding
- \* Mounting on 35 mm fixed pole, fixing ring included.
- \* This 300 + 240 mm Horizontal arm with gas spring simply slips into the pole 35 mm and then adjust to the desired height and fixed.
- \* It has a safety stop button for the height adjustment, which allows the arm to remain in the chosen position.
- \* The head of this arm complies with the screen mounting standard: VESA MIS-D 75 mm and 100 mm.
- \* Compatible with screens whose weight does not exceed 13-18 Kg.
- \* Touch screen stability.
- \* Screen tilt: 50° down and 100° up
- \* Screen rotation: 110° right, 110° left.
- \* Arm rotation: 105° to the right, 105° to the left.
- \* Height adjustment: 45° down, 45° up
- \* Total length 806 mm
- \* Compatible with multimedia terminals (TMM)
- \* Colour RAL 7024 (Graphite grey) and White
- \* All our medical arms are in conformity: CE, ROHS, Medical Grade, Regulations MDD 93/42 ECC.
- \* Warranty: 5 years

Note: This arm can also be installed on one of our medical columns or trolleys.

Display Compatibility: 26" Wide ( Weight)  
Supported Weight: 13-18 Kg  
VESA standard: 75 / 100 mm

Up to 26" Wide ( Weight)  
75/100 mm  
13-18 Kg  
**MEDICAL GRADE**

Do not hesitate to contact us if you have any questions about this product.

Warranty: 5 years

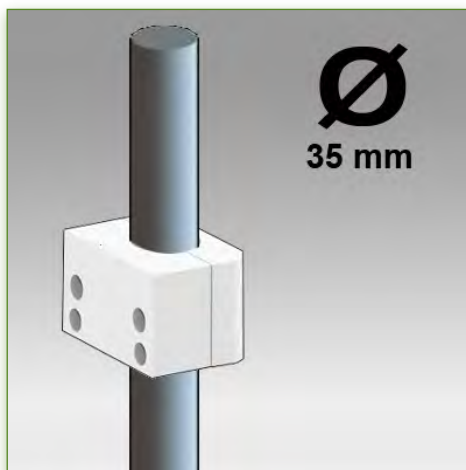
000.978.540-4

Graphite Grey and White

On Measure

= Depending on the elements

978.540-4



Display Compatibility: 26" Wide ( Weight)  
Supported Weight: 13-18 Kg  
VESA standard: 75 / 100 mm



Medical Grade



Do not hesitate to contact us if you have any questions about this product.



Warranty: 5 years



000.978.540-4



Graphite Grey and White



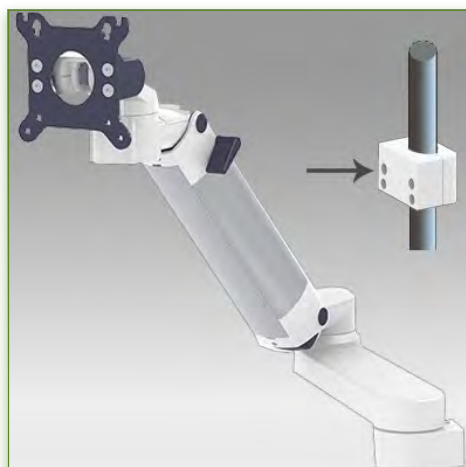
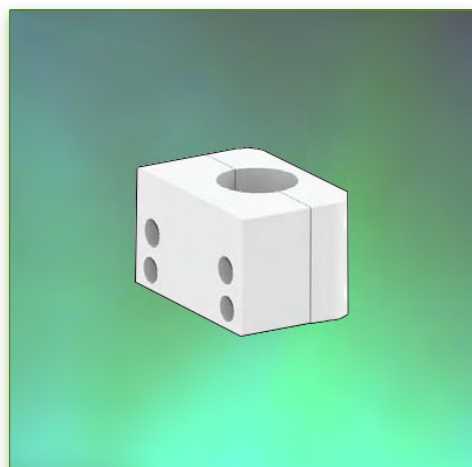
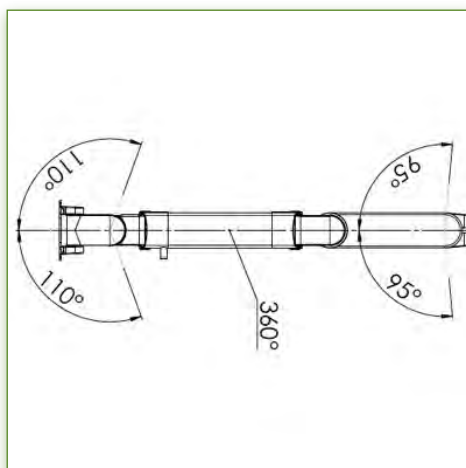
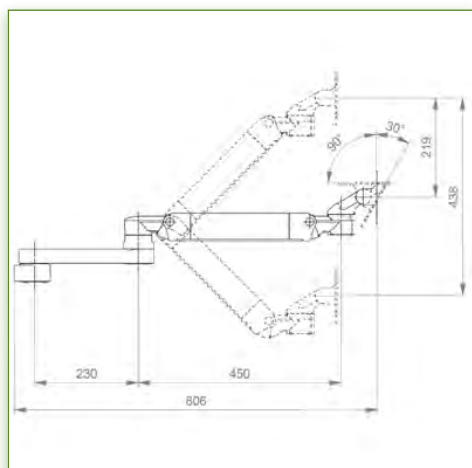
On Measure



= Depending on the elements



978.540-4



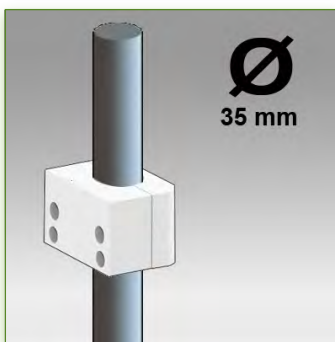
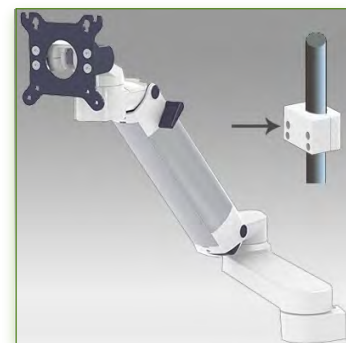
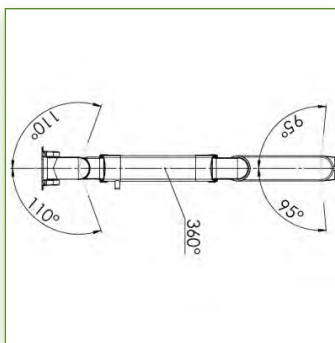
**Anti-bacterial properties:**

IT medical arms are now designed with Microban antibacterial protection, a revolutionary treatment that guarantees optimal hygiene. IT medical arms integrate Microban and other antibacterial agents into all medical products. It inhibits the growth of bacteria of all types. This is not a surface treatment.

It is 100% in the totality of the product.

It does not alter the physico-mechanical properties of the medical arm lift system. Simulations over 30 years show that 100% of the antibacterial properties are maintained.

All medical articulated arms incorporate Microban. Microban is the world's leading provider of anti-bacterial solutions. It has been successfully applied for more than 35 years in a wide range of products used in the hospital, construction and food industries.



Display Compatibility: 26" Wide ( Weight)  
 Supported Weight: 16-22 Kg  
 VESA standard: 75 / 100 mm

Do not hesitate to contact us if you have any questions about this product.

**Warranty: 5 years**

000.978.540-5

Graphite Grey and White

On Measure

= Depending on the elements

978.540-5

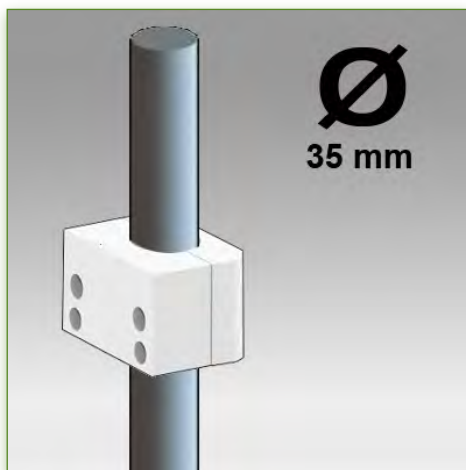
**300 + 240 mm height adjustable medical monitor arm, Mounting on 35 mm Fixed Pole**

This 300 + 240 mm Horizontal Medical Arm with gas spring height adjustment allows the LCD screen to be perfectly fixed, oriented and adjusted. It is coated with an anti-microbial agent offering hygiene and cleaning down to the last detail. Its modern design has been specially designed for healthcare environments.

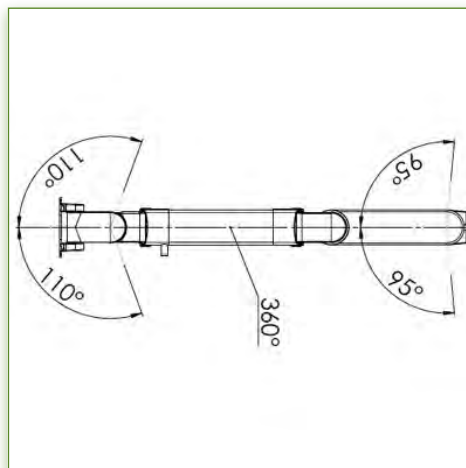
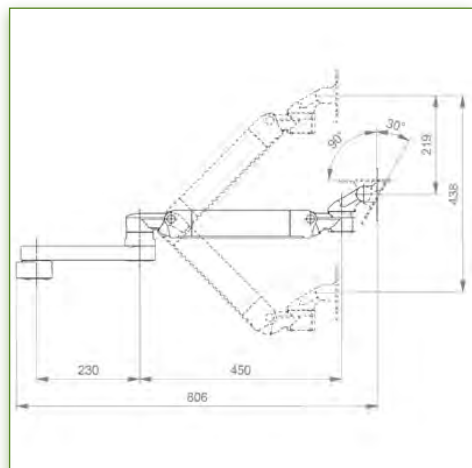
**Technical specifications:**

- \* Integrated cable channel
- \* Equipotential bonding
- \* Mounting on 35 mm fixed pole, fixing ring included.
- \* This 300 + 240 mm Horizontal arm with gas spring simply slips into the pole 35 mm and then adjust to the desired height and fixed.
- \* It has a safety stop button for the height adjustment, which allows the arm to remain in the chosen position.
- \* The head of this arm complies with the screen mounting standard: VESA MIS-D 75 mm and 100 mm.
- \* Compatible with screens whose weight does not exceed 16-22 Kg.
- \* Touch screen stability.
- \* Screen tilt: 50° down and 100° up
- \* Screen rotation: 110° right, 110° left.
- \* Arm rotation: 105° to the right, 105° to the left.
- \* Height adjustment: 45° down, 45° up
- \* Total length 806 mm
- \* Compatible with multimedia terminals (TMM)
- \* Colour RAL 7024 (Graphite grey) and White
- \* All our medical arms are in conformity: CE, ROHS, Medical Grade, Regulations MDD 93/42 ECC.
- \* Warranty: 5 years

Note: This arm can also be installed on one of our medical columns or trolleys.

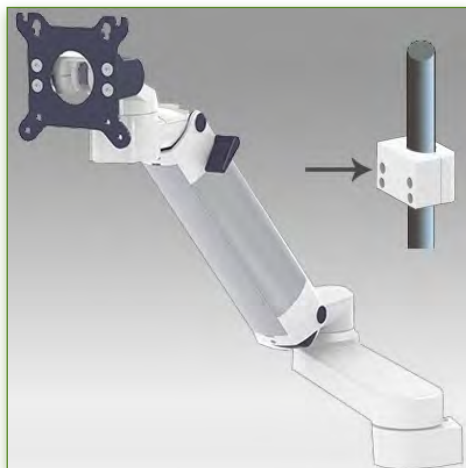
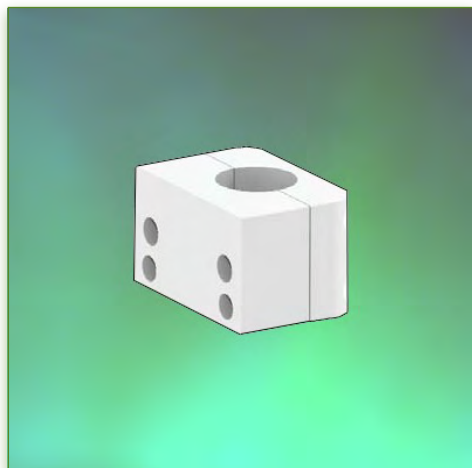


Display Compatibility: 26" Wide ( Weight)  
Supported Weight: 16-22 Kg  
VESA standard: 75 / 100 mm



Do not hesitate to contact us if you have any questions about this product.

- Warranty: 5 years
- 000.978.540-5
- Graphite Grey and White
- On Measure
- = Depending on the elements
- 978.540-5

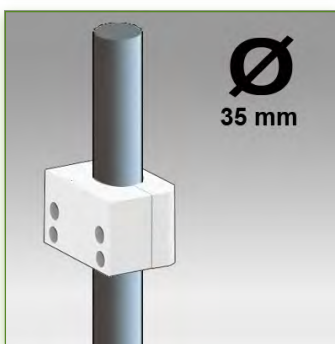
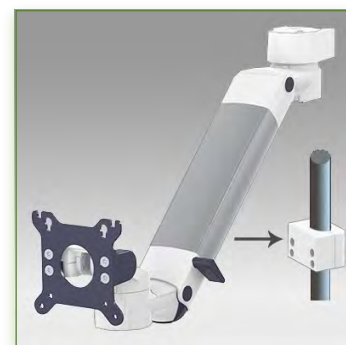
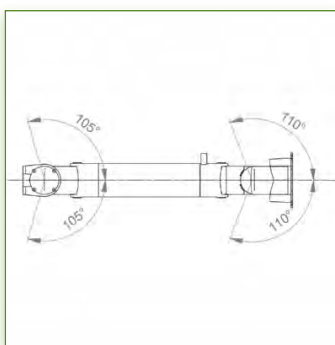
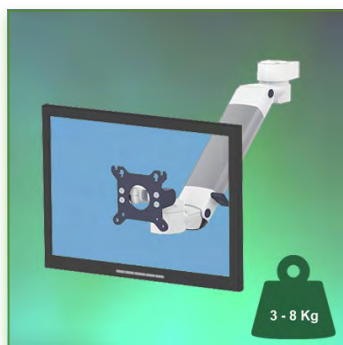


**Anti-bacterial properties:**

IT medical arms are now designed with Microban antibacterial protection, a revolutionary treatment that guarantees optimal hygiene. IT medical arms integrate Microban and other antibacterial agents into all medical products. It inhibits the growth of bacteria of all types. This is not a surface treatment.

It is 100% in the totality of the product. It does not alter the physico-mechanical properties of the medical arm lift system. Simulations over 30 years show that 100% of the antibacterial properties are maintained.

All medical articulated arms incorporate Microban. Microban is the world's leading provider of anti-bacterial solutions. It has been successfully applied for more than 35 years in a wide range of products used in the hospital, construction and food industries.



Display Compatibility: 26" Wide ( Weight)  
 Supported Weight: 3-8 Kg  
 VESA standard: 75 / 100 mm



Do not hesitate to contact us if you have any questions about this product.

**Warranty: 5 years**

000.978.530-1

Graphite Grey and White

On Measure

= Depending on the elements

978.530-1

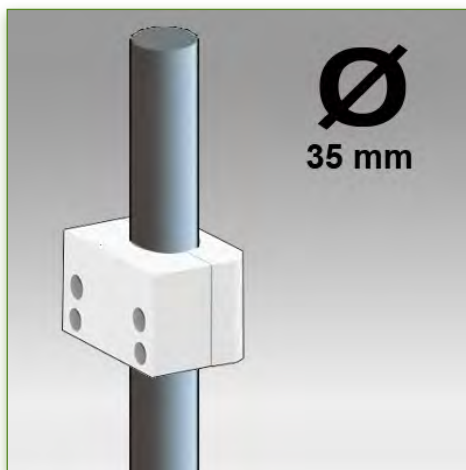
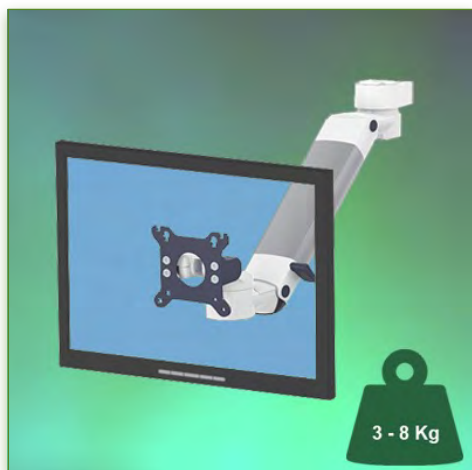
**PH Medical Monitor Arm (High Position) height adjustable 300 mm,**  
**Mounting on 35 mm Fixed Pole**

This PH (High Position) Horizontal Medical Arm 300 mm with gas spring height adjustment allows the LCD screen to be perfectly fixed, oriented and adjusted. It is coated with an anti-microbial agent offering hygiene and cleaning down to the last detail. Its modern design has been specially designed for healthcare environments.

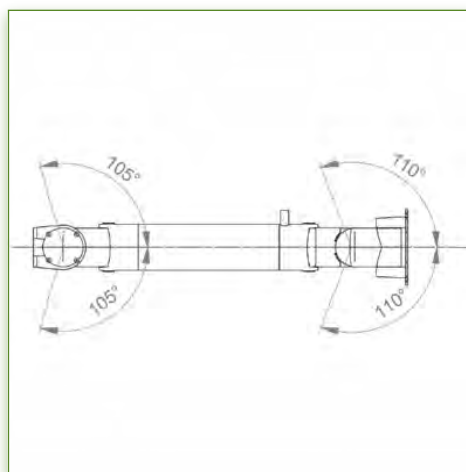
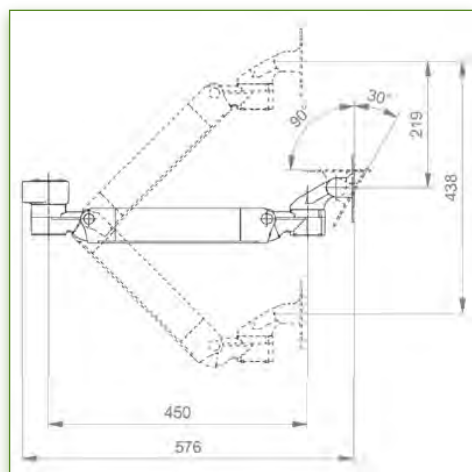
**Technical specifications:**

- \* Integrated cable channel
- \* Equipotential bonding
- \* Mounting on 35 mm fixed pole, fixing ring included.
- \* This PH Horizontal 300 mm gas spring arm simply slips into the pole 35 mm and then adjusts to the desired height and fixed. It has a safety height adjustment stop button, which allows the arm to remain in the chosen position.
- \* Installation specific to the high position (PH)
- \* The head of this arm complies with the screen mounting standard: VESA MIS-D 75 mm and 100 mm.
- \* Compatible with screens whose weight does not exceed 3-8 Kg.
- \* Touch screen stability. \* Screen tilt: 50° down and 100° up
- \* Screen rotation: 110° right, 110° left.
- \* Arm rotation: 105° to the right, 105° to the left.
- \* Height adjustment: 45° down, 45° up
- \* Total length 576 mm
- \* Compatible with multimedia terminals (TMM)
- \* Colour RAL 7024 (Graphite grey) and White
- \* All our medical arms are in conformity: CE, ROHS, Medical Grade, Regulations MDD 93/42 ECC.
- \* Warranty: 5 years

Note: This arm can also be installed on one of our medical columns or trolleys.

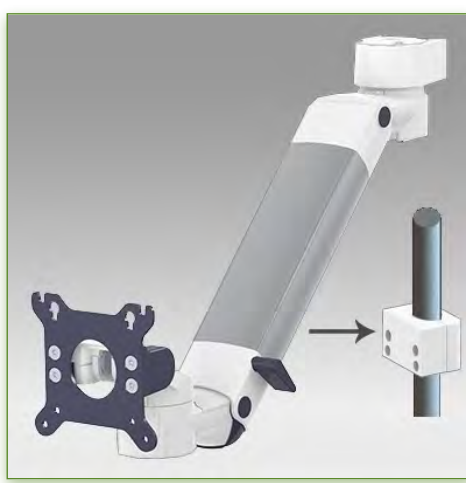
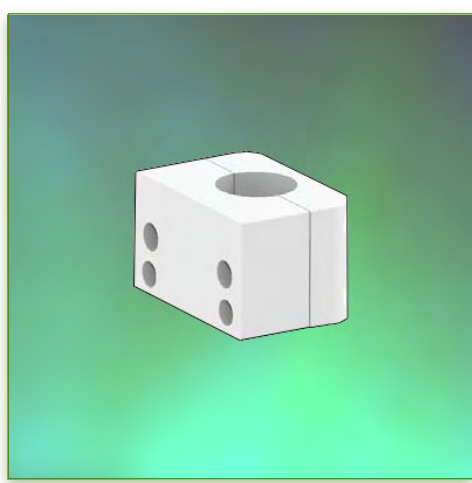


Display Compatibility: 26" Wide ( Weight)  
 Supported Weight: 3-8 Kg  
 VESA standard: 75 / 100 mm



Do not hesitate to contact us if you have any questions about this product.

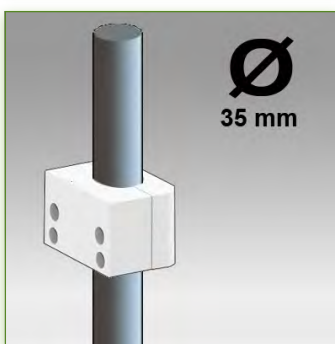
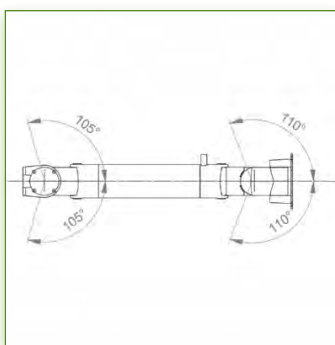
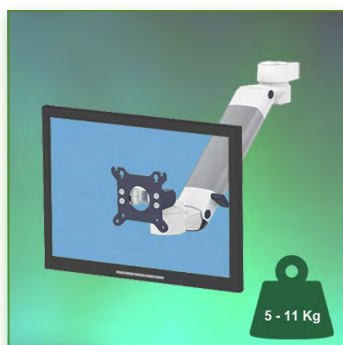
- Warranty: 5 years
- 000.978.530-1
- Graphite Grey and White
- On Measure
- = Depending on the elements
- 978.530-1



**Anti-bacterial properties:**

IT medical arms are now designed with Microban antibacterial protection, a revolutionary treatment that guarantees optimal hygiene. IT medical arms integrate Microban and other antibacterial agents into all medical products. It inhibits the growth of bacteria of all types. This is not a surface treatment. It is 100% in the totality of the product. It does not alter the physico-mechanical properties of the medical arm lift system. Simulations over 30 years show that 100% of the antibacterial properties are maintained.

All medical articulated arms incorporate Microban. Microban is the world's leading provider of anti-bacterial solutions. It has been successfully applied for more than 35 years in a wide range of products used in the hospital, construction and food industries.



Display Compatibility: 26" Wide ( Weight)  
 Supported Weight: 5-11 Kg  
 VESA standard: 75 / 100 mm



Do not hesitate to contact us if you have any questions about this product.

**Warranty: 5 years**

000.978.530-2

Graphite Grey and White

On Measure

= Depending on the elements

978.530-2

**PH Medical Monitor Arm (High Position) height adjustable 300 mm,**  
**Mounting on 35 mm Fixed Pole**

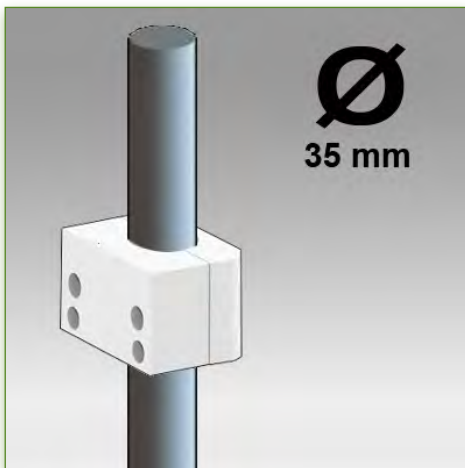
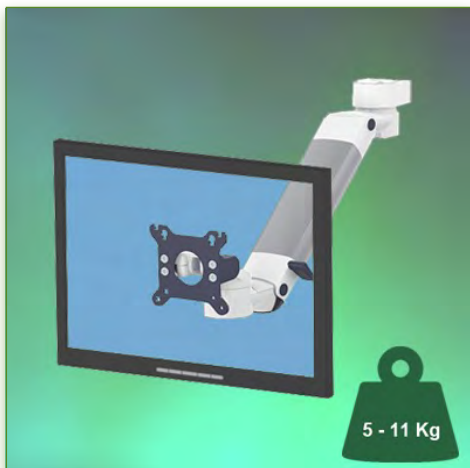
This PH (High Position) Horizontal Medical Arm 300 mm with gas spring height adjustment allows the LCD screen to be perfectly fixed, oriented and adjusted. It is coated with an anti-microbial agent offering hygiene and cleaning down to the last detail. Its modern design has been specially designed for healthcare environments.

**Technical specifications:**

- \* Integrated cable channel
- \* Equipotential bonding
- \* Mounting on 35 mm fixed pole, fixing ring included.
- \* This PH Horizontal 300 mm gas spring arm simply slips into the pole 35 mm and then adjusts to the desired height and fixed. It has a safety height adjustment stop button, which allows the arm to remain in the chosen position.
- \* Installation specific to the high position (PH)
- \* The head of this arm complies with the screen mounting standard: VESA MIS-D 75 mm and 100 mm.
- \* Compatible with screens whose weight does not exceed 5-11 Kg.
- \* Touch screen stability. \* Screen tilt: 50° down and 100° up
- \* Screen rotation: 110° right, 110° left.
- \* Arm rotation: 105° to the right, 105° to the left.
- \* Height adjustment: 45° down, 45° up
- \* Total length 576 mm
- \* Compatible with multimedia terminals (TMM)
- \* Colour RAL 7024 (Graphite grey) and White
- \* All our medical arms are in conformity: CE, ROHS, Medical Grade, Regulations MDD 93/42 ECC.
- \* Warranty: 5 years

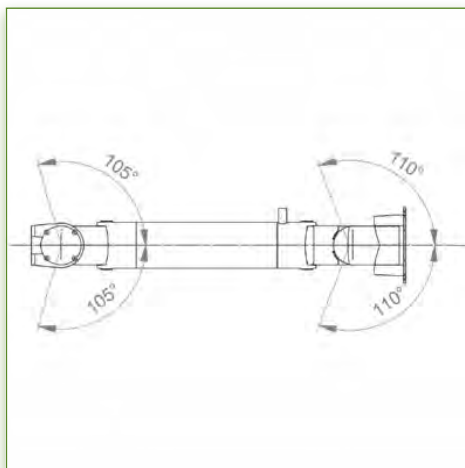
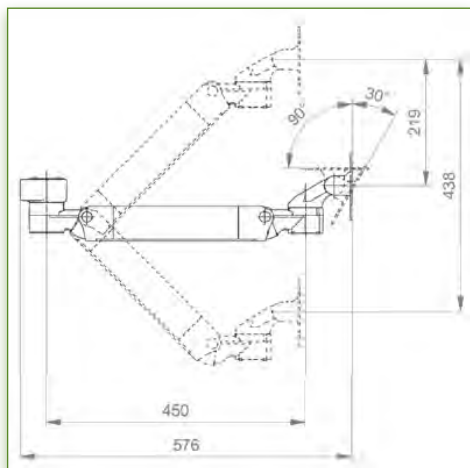
Note: This arm can also be installed on one of our medical columns or trolleys.





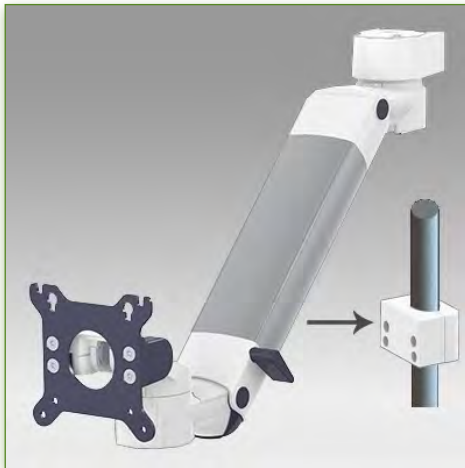
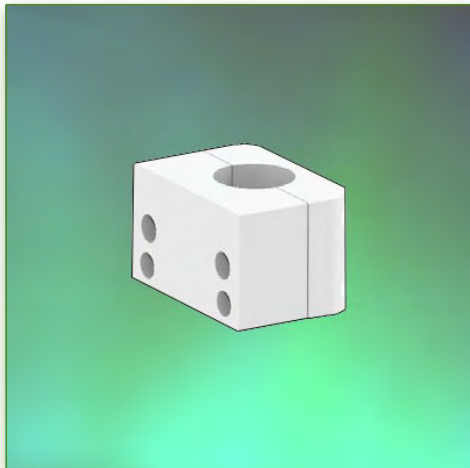
Display Compatibility: 26" Wide ( Weight)  
 Supported Weight: 5-11 Kg  
 VESA standard: 75 / 100 mm

Up to 26" Wide ( Weight)  
 75/100 mm  
 5-11 Kg



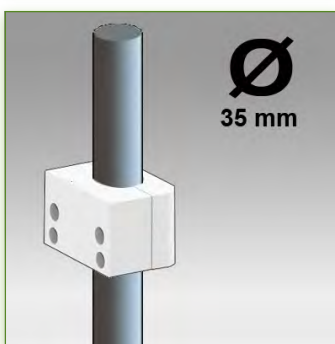
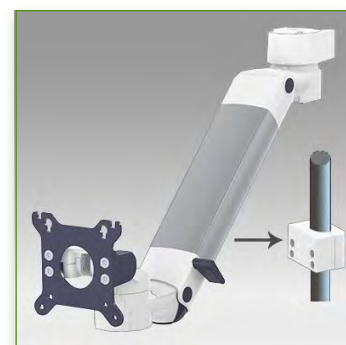
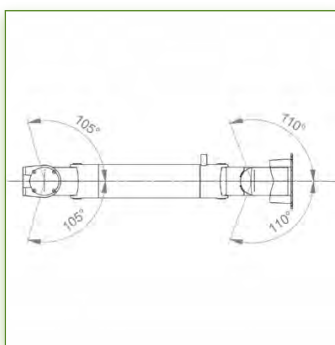
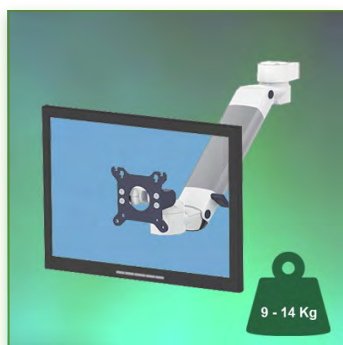
Do not hesitate to contact us if you have any questions about this product.

- Warranty: 5 years
- 000.978.530-2
- Graphite Grey and White
- On Measure
- = Depending on the elements
- 978.530-2



**Anti-bacterial properties:**

IT medical arms are now designed with Microban antibacterial protection, a revolutionary treatment that guarantees optimal hygiene. IT medical arms integrate Microban and other antibacterial agents into all medical products. It inhibits the growth of bacteria of all types. This is not a surface treatment. It is 100% in the totality of the product. It does not alter the physico-mechanical properties of the medical arm lift system. Simulations over 30 years show that 100% of the antibacterial properties are maintained. All medical articulated arms incorporate Microban. Microban is the world's leading provider of anti-bacterial solutions. It has been successfully applied for more than 35 years in a wide range of products used in the hospital, construction and food industries.



**PH Medical Monitor Arm (High Position) height adjustable 300 mm,**  
**Mounting on 35 mm Fixed Pole**

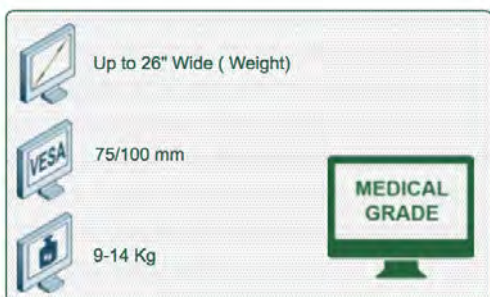
This PH (High Position) Horizontal Medical Arm 300 mm with gas spring height adjustment allows the LCD screen to be perfectly fixed, oriented and adjusted. It is coated with an anti-microbial agent offering hygiene and cleaning down to the last detail. Its modern design has been specially designed for healthcare environments.

**Technical specifications:**

- \* Integrated cable channel
- \* Equipotential bonding
- \* Mounting on 35 mm fixed pole, fixing ring included.
- \* This PH Horizontal 300 mm gas spring arm simply slips into the pole 35 mm and then adjusts to the desired height and fixed. It has a safety height adjustment stop button, which allows the arm to remain in the chosen position.
- \* Installation specific to the high position (PH)
- \* The head of this arm complies with the screen mounting standard: VESA MIS-D 75 mm and 100 mm.
- \* Compatible with screens whose weight does not exceed 9-14 Kg.
- \* Touch screen stability. \* Screen tilt: 50° down and 100° up
- \* Screen rotation: 110° right, 110° left.
- \* Arm rotation: 105° to the right, 105° to the left.
- \* Height adjustment: 45° down, 45° up
- \* Total length 576 mm
- \* Compatible with multimedia terminals (TMM)
- \* Colour RAL 7024 (Graphite grey) and White
- \* All our medical arms are in conformity: CE, ROHS, Medical Grade, Regulations MDD 93/42 ECC.
- \* Warranty: 5 years

Note: This arm can also be installed on one of our medical columns or trolleys.

Display Compatibility: 26" Wide ( Weight)  
 Supported Weight: 9-14 Kg  
 VESA standard: 75 / 100 mm



Do not hesitate to contact us if you have any questions about this product.

**Warranty: 5 years**

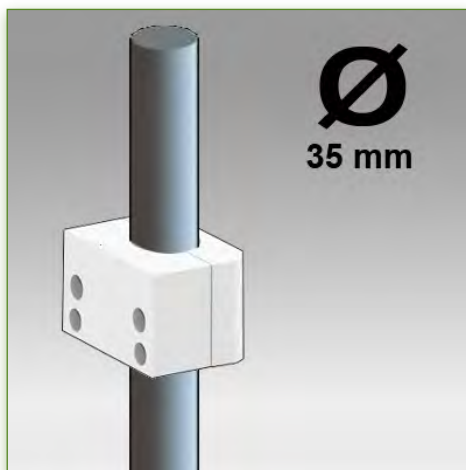
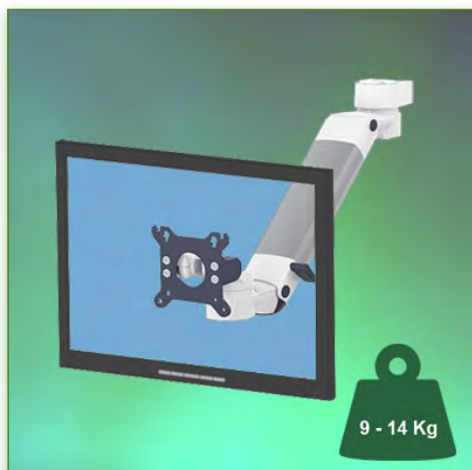
000.978.530-3

Graphite Grey and White

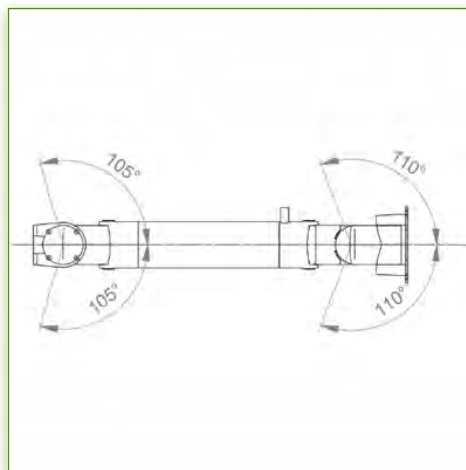
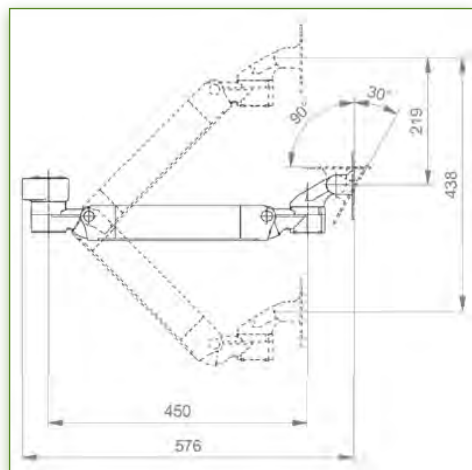
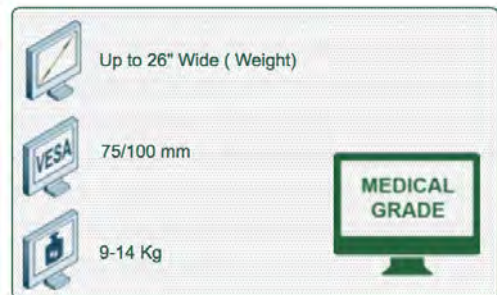
On Measure

= Depending on the elements

978.530-3

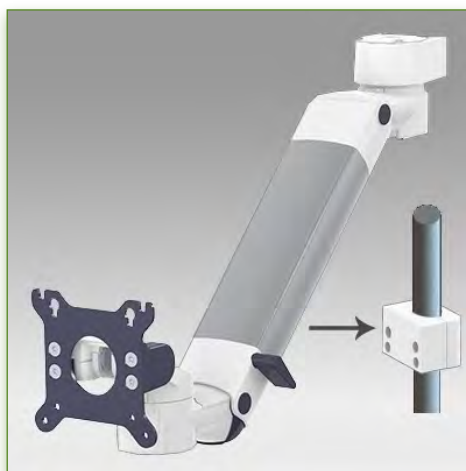


Display Compatibility: 26" Wide ( Weight)  
 Supported Weight: 9-14 Kg  
 VESA standard: 75 / 100 mm



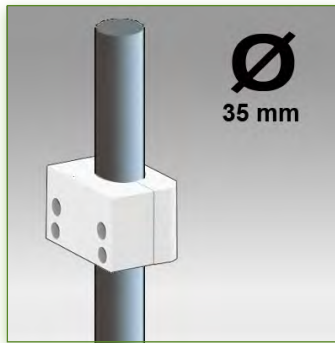
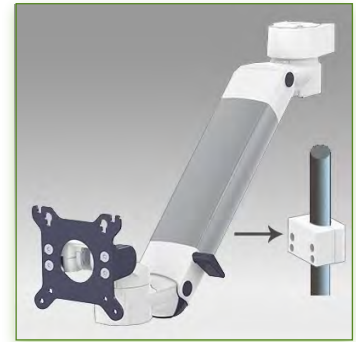
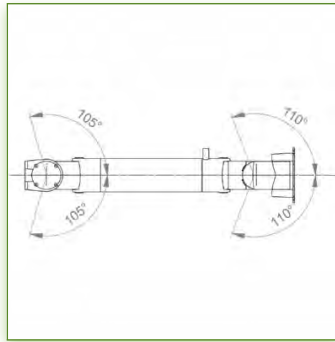
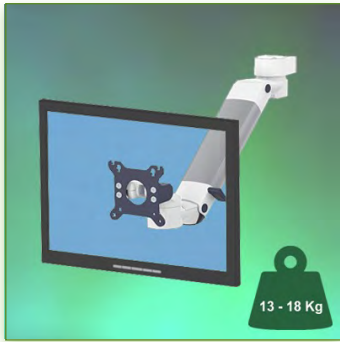
Do not hesitate to contact us if you have any questions about this product.

- Warranty: 5 years
- 000.978.530-3
- Graphite Grey and White
- On Measure
- = Depending on the elements
- 978.530-3



**Anti-bacterial properties:**

IT medical arms are now designed with Microban antibacterial protection, a revolutionary treatment that guarantees optimal hygiene. IT medical arms integrate Microban and other antibacterial agents into all medical products. It inhibits the growth of bacteria of all types. This is not a surface treatment. It is 100% in the totality of the product. It does not alter the physico-mechanical properties of the medical arm lift system. Simulations over 30 years show that 100% of the antibacterial properties are maintained. All medical articulated arms incorporate Microban. Microban is the world's leading provider of anti-bacterial solutions. It has been successfully applied for more than 35 years in a wide range of products used in the hospital, construction and food industries.



**PH Medical Monitor Arm (High Position) height adjustable 300 mm,**  
**Mounting on 35 mm Fixed Pole**

This PH (High Position) Horizontal Medical Arm 300 mm with gas spring height adjustment allows the LCD screen to be perfectly fixed, oriented and adjusted. It is coated with an anti-microbial agent offering hygiene and cleaning down to the last detail. Its modern design has been specially designed for healthcare environments.

**Technical specifications:**

- \* Integrated cable channel
- \* Equipotential bonding
- \* Mounting on 35 mm fixed pole, fixing ring included.
- \* This PH Horizontal 300 mm gas spring arm simply slips into the pole 35 mm and then adjusts to the desired height and fixed. It has a safety height adjustment stop button, which allows the arm to remain in the chosen position.
- \* Installation specific to the high position (PH)
- \* The head of this arm complies with the screen mounting standard: VESA MIS-D 75 mm and 100 mm.
- \* Compatible with screens whose weight does not exceed 13-18 Kg.
- \* Touch screen stability. \* Screen tilt: 50° down and 100° up
- \* Screen rotation: 110° right, 110° left.
- \* Arm rotation: 105° to the right, 105° to the left.
- \* Height adjustment: 45° down, 45° up
- \* Total length 576 mm
- \* Compatible with multimedia terminals (TMM)
- \* Colour RAL 7024 (Graphite grey) and White
- \* All our medical arms are in conformity: CE, ROHS, Medical Grade, Regulations MDD 93/42 ECC.
- \* Warranty: 5 years

Note: This arm can also be installed on one of our medical columns or trolleys.

Display Compatibility: 26" Wide ( Weight)  
 Supported Weight: 13-18 Kg  
 VESA standard: 75 / 100 mm

 Up to 26" Wide ( Weight)  
 75/100 mm  
 13-18 Kg  
**MEDICAL GRADE**

Do not hesitate to contact us if you have any questions about this product.

**Warranty: 5 years**

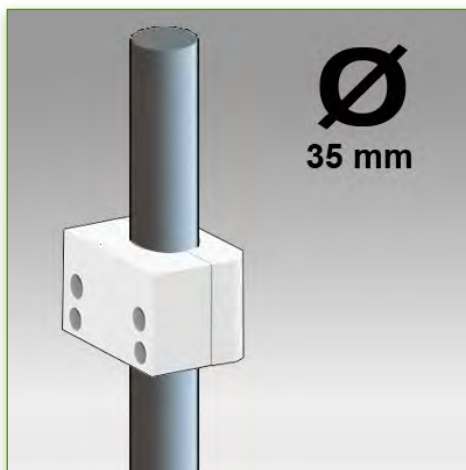
000.978.530-4

**Graphite Grey and White**

**On Measure**

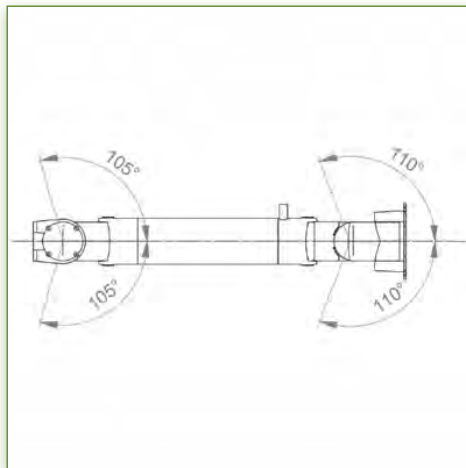
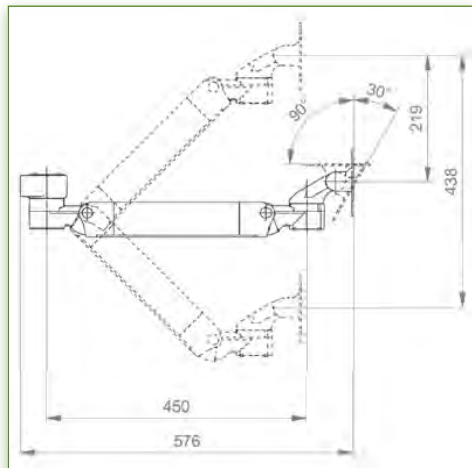
= Depending on the elements

978.530-4



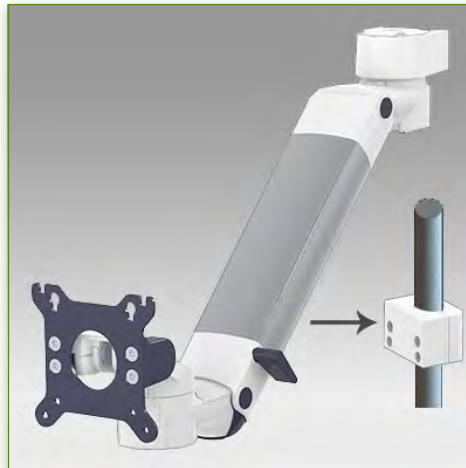
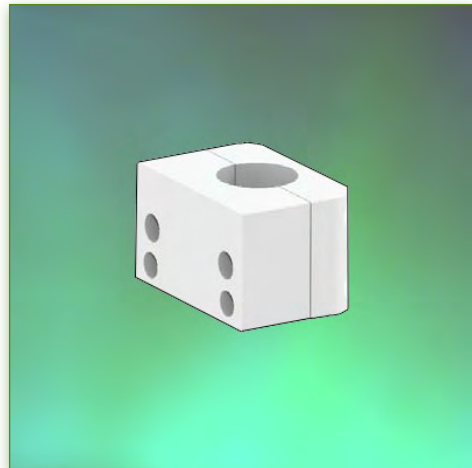
Display Compatibility: 26" Wide ( Weight)  
 Supported Weight: 13-18 Kg  
 VESA standard: 75 / 100 mm

Up to 26" Wide ( Weight)  
 75/100 mm  
 13-18 Kg



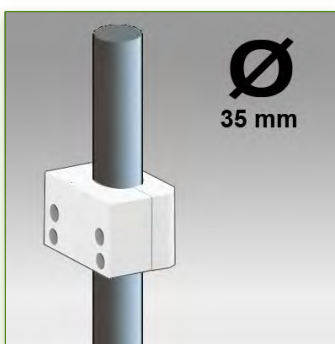
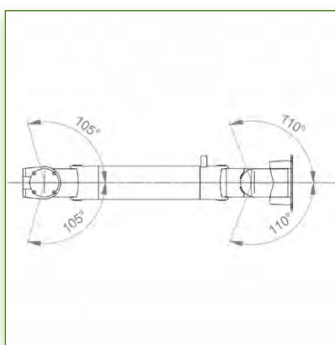
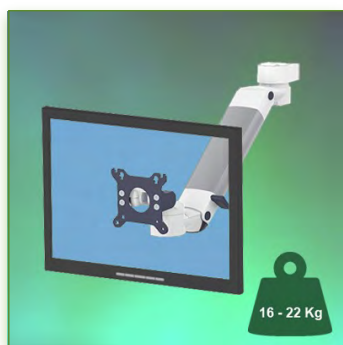
Do not hesitate to contact us if you have any questions about this product.

- Warranty: 5 years
- 000.978.530-4
- Graphite Grey and White
- On Measure
- = Depending on the elements
- 978.530-4

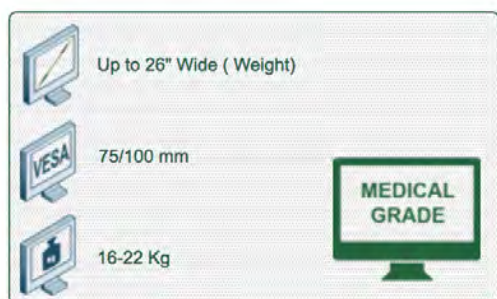


**Anti-bacterial properties:**

IT medical arms are now designed with Microban antibacterial protection, a revolutionary treatment that guarantees optimal hygiene. IT medical arms integrate Microban and other antibacterial agents into all medical products. It inhibits the growth of bacteria of all types. This is not a surface treatment. It is 100% in the totality of the product. It does not alter the physico-mechanical properties of the medical arm lift system. Simulations over 30 years show that 100% of the antibacterial properties are maintained. All medical articulated arms incorporate Microban. Microban is the world's leading provider of anti-bacterial solutions. It has been successfully applied for more than 35 years in a wide range of products used in the hospital, construction and food industries.



Display Compatibility: 26" Wide ( Weight)  
 Supported Weight: 16-22 Kg  
 VESA standard: 75 / 100 mm



Do not hesitate to contact us if you have any questions about this product.

**Warranty: 5 years**

000.978.530-5

Graphite Grey and White

On Measure

= Depending on the elements

978.530-5

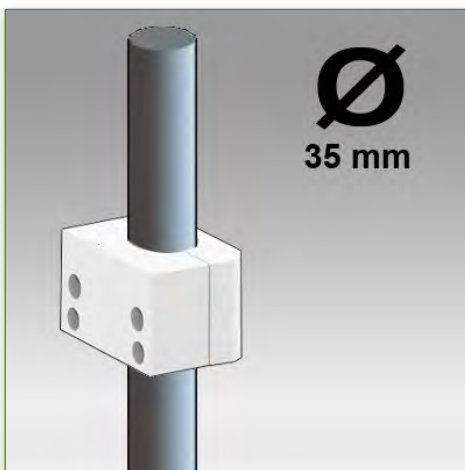
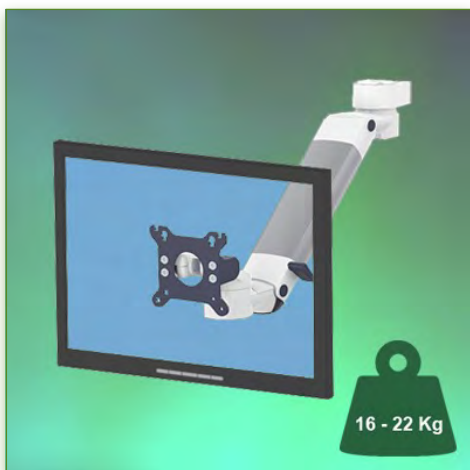
**PH Medical Monitor Arm (High Position) height adjustable 300 mm,**  
**Mounting on 35 mm Fixed Pole**

This PH (High Position) Horizontal Medical Arm 300 mm with gas spring height adjustment allows the LCD screen to be perfectly fixed, oriented and adjusted. It is coated with an anti-microbial agent offering hygiene and cleaning down to the last detail. Its modern design has been specially designed for healthcare environments.

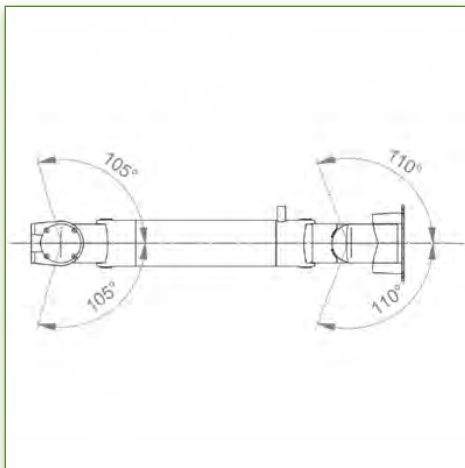
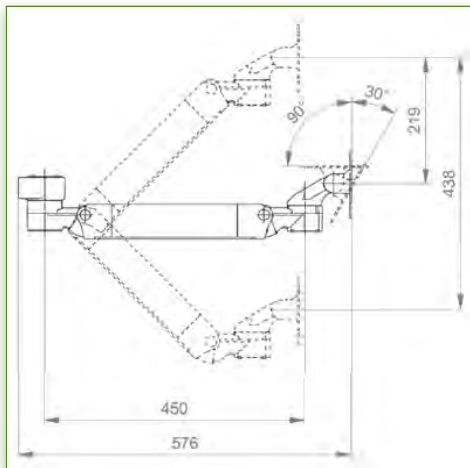
**Technical specifications:**

- \* Integrated cable channel
- \* Equipotential bonding
- \* Mounting on 35 mm fixed pole, fixing ring included.
- \* This PH Horizontal 300 mm gas spring arm simply slips into the pole 35 mm and then adjusts to the desired height and fixed. It has a safety height adjustment stop button, which allows the arm to remain in the chosen position.
- \* Installation specific to the high position (PH)
- \* The head of this arm complies with the screen mounting standard: VESA MIS-D 75 mm and 100 mm.
- \* Compatible with screens whose weight does not exceed 16-22 Kg.
- \* Touch screen stability. \* Screen tilt: 50° down and 100° up
- \* Screen rotation: 110° right, 110° left.
- \* Arm rotation: 105° to the right, 105° to the left.
- \* Height adjustment: 45° down, 45° up
- \* Total length 576 mm
- \* Compatible with multimedia terminals (TMM)
- \* Colour RAL 7024 (Graphite grey) and White
- \* All our medical arms are in conformity: CE, ROHS, Medical Grade, Regulations MDD 93/42 ECC.
- \* Warranty: 5 years

Note: This arm can also be installed on one of our medical columns or trolleys.

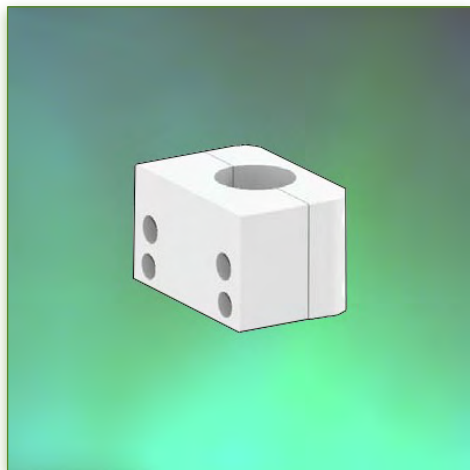


Display Compatibility: 26" Wide ( Weight)  
 Supported Weight: 16-22 Kg  
 VESA standard: 75 / 100 mm



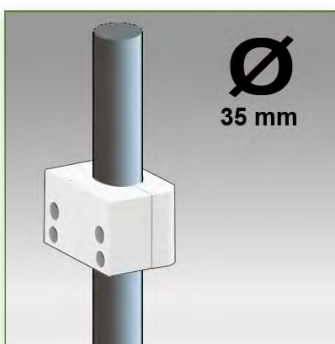
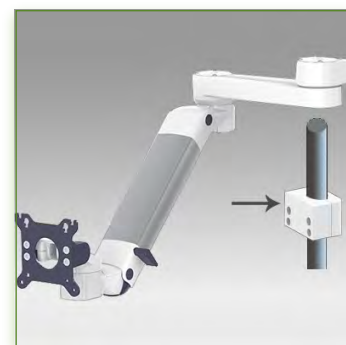
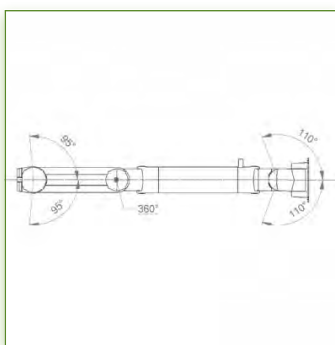
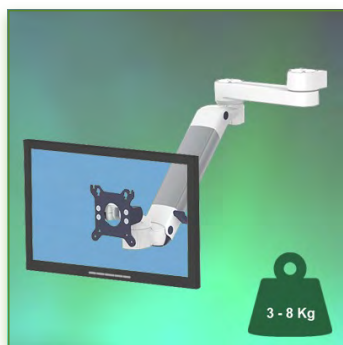
Do not hesitate to contact us if you have any questions about this product.

- Warranty: 5 years
- 000.978.530-5
- Graphite Grey and White
- On Measure
- = Depending on the elements
- 978.530-5



**Anti-bacterial properties:**

IT medical arms are now designed with Microban antibacterial protection, a revolutionary treatment that guarantees optimal hygiene. IT medical arms integrate Microban and other antibacterial agents into all medical products. It inhibits the growth of bacteria of all types. This is not a surface treatment. It is 100% in the totality of the product. It does not alter the physico-mechanical properties of the medical arm lift system. Simulations over 30 years show that 100% of the antibacterial properties are maintained. All medical articulated arms incorporate Microban. Microban is the world's leading provider of anti-bacterial solutions. It has been successfully applied for more than 35 years in a wide range of products used in the hospital, construction and food industries.



Display Compatibility: 26" Wide ( Weight)  
 Supported Weight: 3-8 Kg  
 VESA standard: 75 / 100 mm



Do not hesitate to contact us if you have any questions about this product.

**Warranty: 5 years**

000.978.114-1

Graphite Grey and White

On Measure

= Depending on the elements

978.114-1

**PH Medical Monitor Arm (High Position) height adjustable**  
**300 + 240 mm, Mounting on 35 mm Fixed Pole**

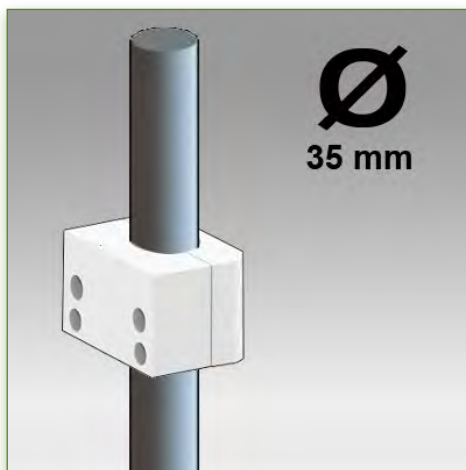
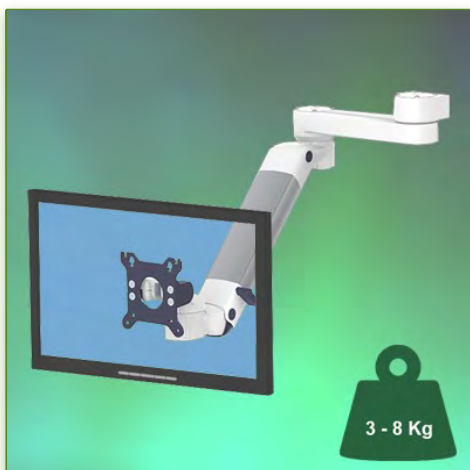
This PH (High Position) Horizontal Medical Arm 300 + 240 mm with gas spring height adjustment allows the LCD screen to be perfectly fixed, oriented and adjusted. It is coated with an anti-microbial agent offering hygiene and cleaning down to the last detail. Its modern design has been specially designed for healthcare environments.

**Technical specifications:**

- \* Integrated cable channel
- \* Equipotential bonding
- \* Mounting on 35 mm fixed pole, fixing ring included.
- \* This PH Horizontal 300 +240 mm gas spring arm simply slips into the pole 35 mm and then adjusts to the desired height and fixed.
- \* It has a safety height adjustment stop button, which allows the arm to remain in the chosen position.
- \* Installation specific to the high position (PH)
- \* The head of this arm complies with the screen mounting standard: VESA MIS-D 75 mm and 100 mm.
- \* Compatible with screens whose weight does not exceed 3-8 Kg.
- \* Touch screen stability.
- \* Screen tilt: 50° down and 100° up \* Screen rotation: 110° right, 110° left.
- \* Arm rotation: 105° to the right, 105° to the left.
- \* Height adjustment: 45° down, 45° up
- \* Total length 806 mm
- \* Compatible with multimedia terminals (TMM)
- \* Colour RAL 7024 (Graphite grey) and White
- \* All our medical arms are in conformity: CE, ROHS, Medical Grade, Regulations MDD 93/42 ECC.
- \* Warranty: 5 years

Note: This arm can also be installed on one of our medical columns or trolleys.





Display Compatibility: 26" Wide ( Weight)  
 Supported Weight: 3-8 Kg  
 VESA standard: 75 / 100 mm



Do not hesitate to contact us if you have any questions about this product.



Warranty: 5 years



000.978.114-1



Graphite Grey and White



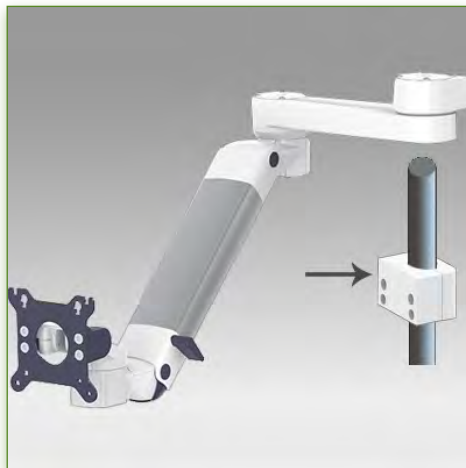
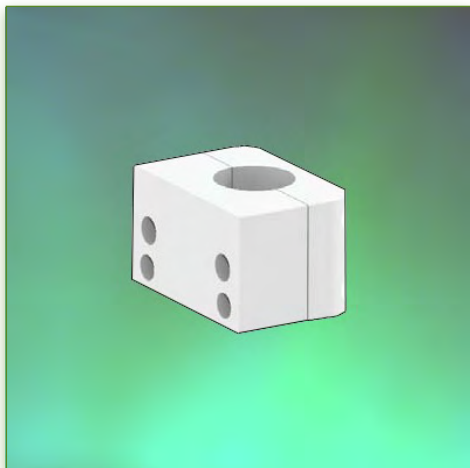
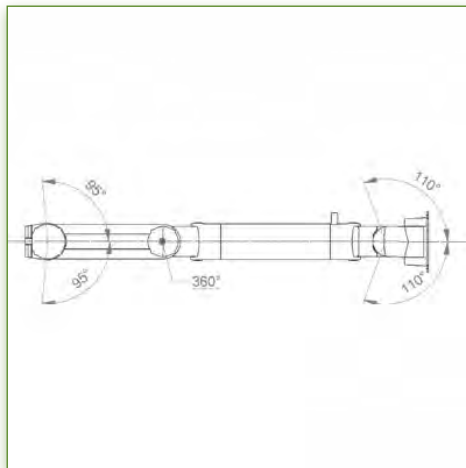
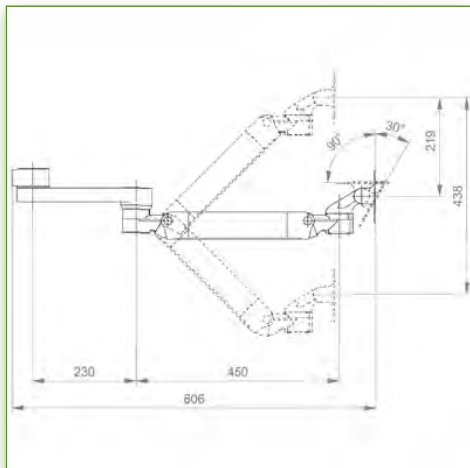
On Measure



= Depending on the elements

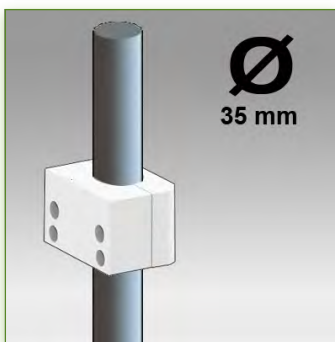
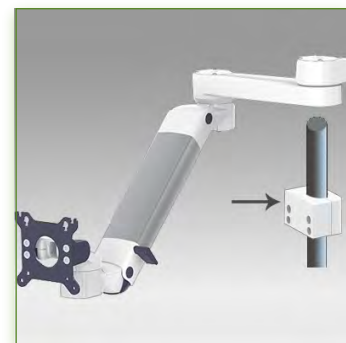
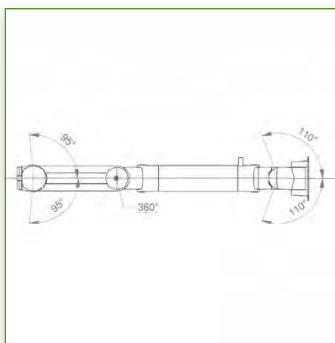
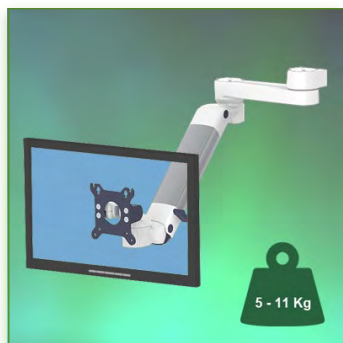


978.114-1



**Anti-bacterial properties:**

IT medical arms are now designed with Microban antibacterial protection, a revolutionary treatment that guarantees optimal hygiene. IT medical arms integrate Microban and other antibacterial agents into all medical products. It inhibits the growth of bacteria of all types. This is not a surface treatment. It is 100% in the totality of the product. It does not alter the physico-mechanical properties of the medical arm lift system. Simulations over 30 years show that 100% of the antibacterial properties are maintained. All medical articulated arms incorporate Microban. Microban is the world's leading provider of anti-bacterial solutions. It has been successfully applied for more than 35 years in a wide range of products used in the hospital, construction and food industries.



**PH Medical Monitor Arm (High Position) height adjustable 300 + 240 mm, Mounting on 35 mm Fixed Pole**

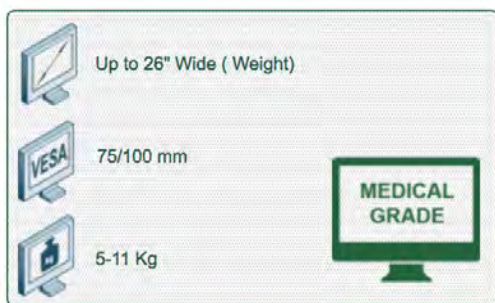
This PH (High Position) Horizontal Medical Arm 300 + 240 mm with gas spring height adjustment allows the LCD screen to be perfectly fixed, oriented and adjusted. It is coated with an anti-microbial agent offering hygiene and cleaning down to the last detail. Its modern design has been specially designed for healthcare environments.

**Technical specifications:**

- \* Integrated cable channel
- \* Equipotential bonding
- \* Mounting on 35 mm fixed pole, fixing ring included.
- \* This PH Horizontal 300 +240 mm gas spring arm simply slips into the pole 35 mm and then adjusts to the desired height and fixed.
- \* It has a safety height adjustment stop button, which allows the arm to remain in the chosen position.
- \* Installation specific to the high position (PH)
- \* The head of this arm complies with the screen mounting standard: VESA MIS-D 75 mm and 100 mm.
- \* Compatible with screens whose weight does not exceed 5-11 Kg.
- \* Touch screen stability.
- \* Screen tilt: 50° down and 100° up \* Screen rotation: 110° right, 110° left.
- \* Arm rotation: 105° to the right, 105° to the left.
- \* Height adjustment: 45° down, 45° up
- \* Total length 806 mm
- \* Compatible with multimedia terminals (TMM)
- \* Colour RAL 7024 (Graphite grey) and White
- \* All our medical arms are in conformity: CE, ROHS, Medical Grade, Regulations MDD 93/42 ECC.
- \* Warranty: 5 years

Note: This arm can also be installed on one of our medical columns or trolleys.

Display Compatibility: 26" Wide ( Weight)  
 Supported Weight: 5-11 Kg  
 VESA standard: 75 / 100 mm



Do not hesitate to contact us if you have any questions about this product.

**Warranty: 5 years**

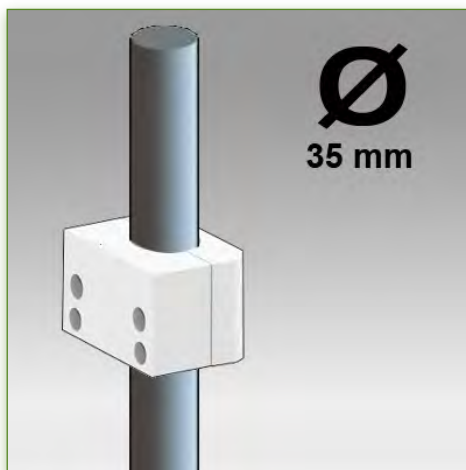
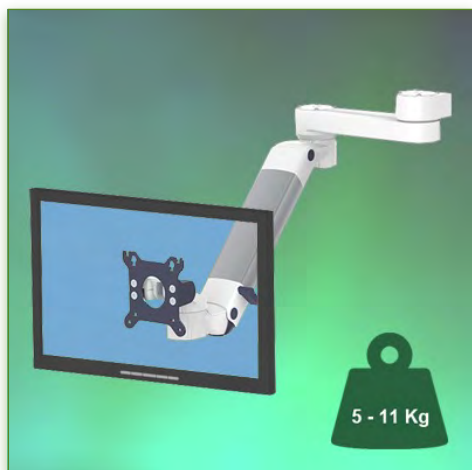
000.978.114-2

Graphite Grey and White

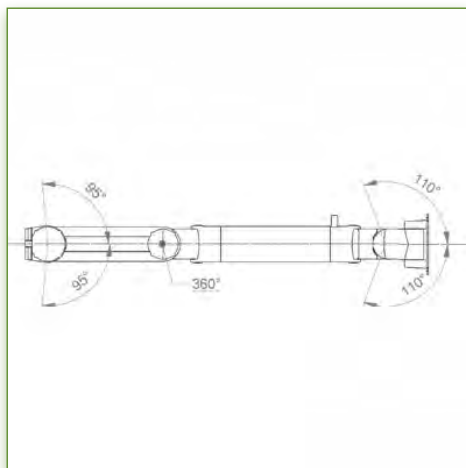
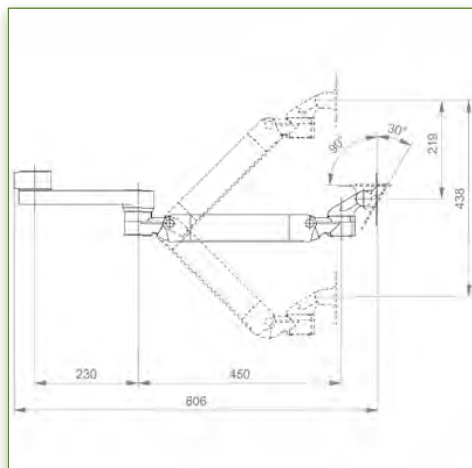
On Measure

= Depending on the elements

978.114-2



Display Compatibility: 26" Wide ( Weight)  
 Supported Weight: 5-11 Kg  
 VESA standard: 75 / 100 mm



Do not hesitate to contact us if you have any questions about this product.

Warranty: 5 years

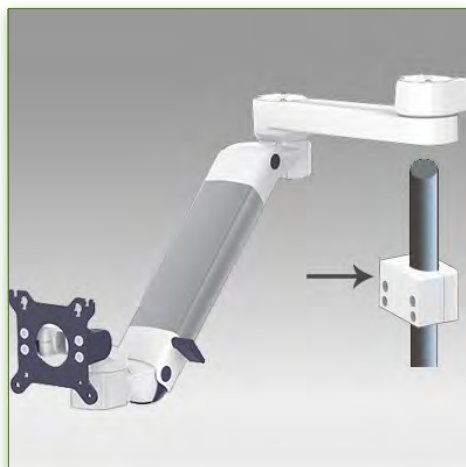
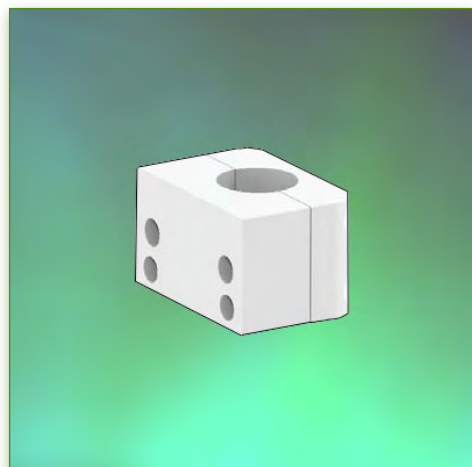
000.978.114-2

Graphite Grey and White

On Measure

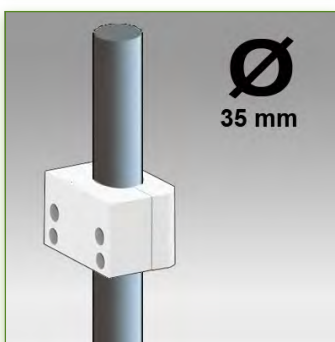
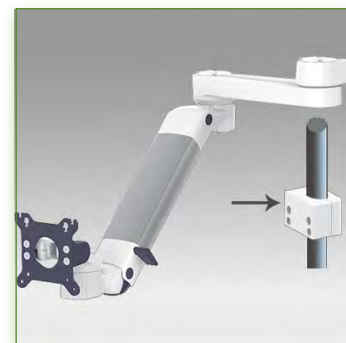
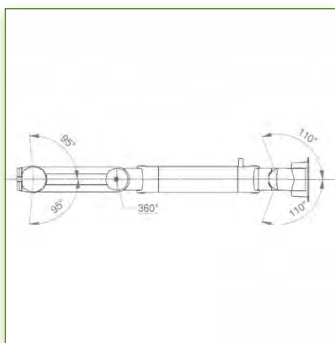
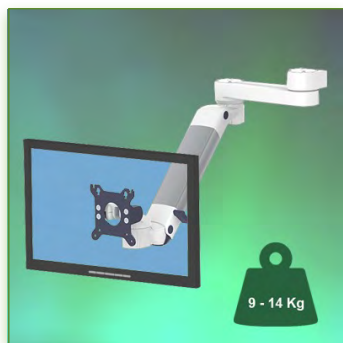
= Depending on the elements

978.114-2



**Anti-bacterial properties:**

IT medical arms are now designed with Microban antibacterial protection, a revolutionary treatment that guarantees optimal hygiene. IT medical arms integrate Microban and other antibacterial agents into all medical products. It inhibits the growth of bacteria of all types. This is not a surface treatment. It is 100% in the totality of the product. It does not alter the physico-mechanical properties of the medical arm lift system. Simulations over 30 years show that 100% of the antibacterial properties are maintained. All medical articulated arms incorporate Microban. Microban is the world's leading provider of anti-bacterial solutions. It has been successfully applied for more than 35 years in a wide range of products used in the hospital, construction and food industries.



Display Compatibility: 26" Wide ( Weight)  
 Supported Weight: 9-14 Kg  
 VESA standard: 75 / 100 mm

Do not hesitate to contact us if you have any questions about this product.

**Warranty: 5 years**

000.978.114-3

Graphite Grey and White

On Measure

= Depending on the elements

978.114-3

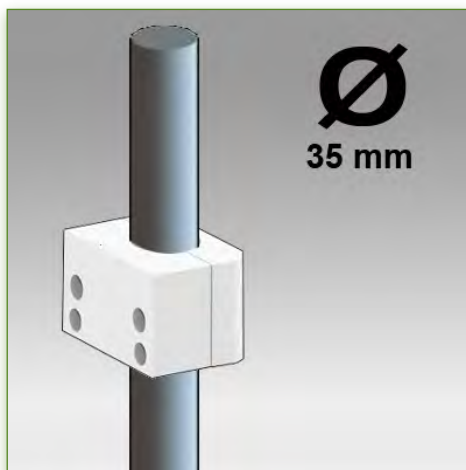
**PH Medical Monitor Arm (High Position) height adjustable 300 + 240 mm, Mounting on 35 mm Fixed Pole**

This PH (High Position) Horizontal Medical Arm 300 + 240 mm with gas spring height adjustment allows the LCD screen to be perfectly fixed, oriented and adjusted. It is coated with an anti-microbial agent offering hygiene and cleaning down to the last detail. Its modern design has been specially designed for healthcare environments.

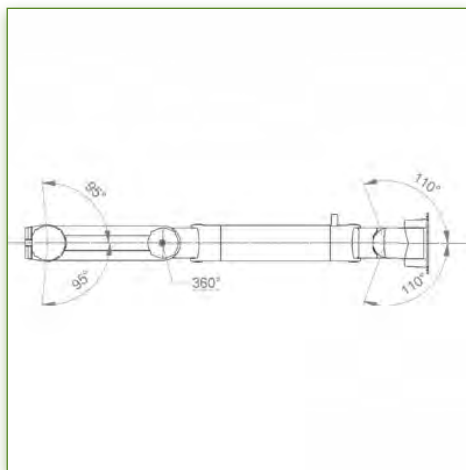
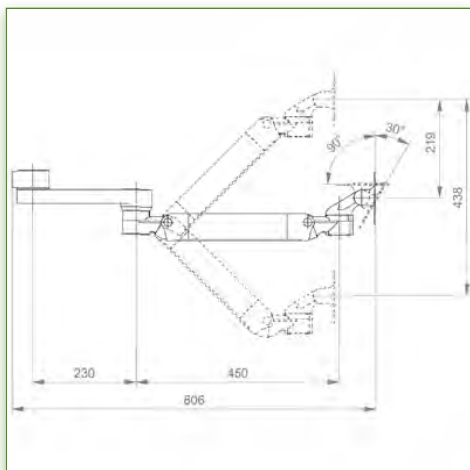
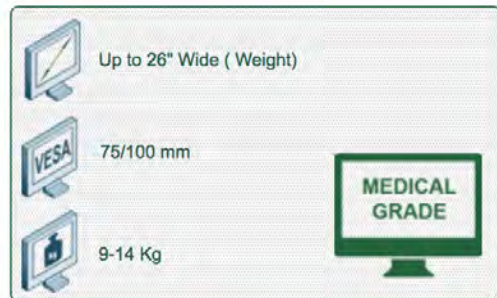
**Technical specifications:**

- \* Integrated cable channel
- \* Equipotential bonding
- \* Mounting on 35 mm fixed pole, fixing ring included.
- \* This PH Horizontal 300 +240 mm gas spring arm simply slips into the pole 35 mm and then adjusts to the desired height and fixed.
- \* It has a safety height adjustment stop button, which allows the arm to remain in the chosen position.
- \* Installation specific to the high position (PH)
- \* The head of this arm complies with the screen mounting standard: VESA MIS-D 75 mm and 100 mm.
- \* Compatible with screens whose weight does not exceed 9-14 Kg.
- \* Touch screen stability.
- \* Screen tilt: 50° down and 100° up \* Screen rotation: 110° right, 110° left.
- \* Arm rotation: 105° to the right, 105° to the left.
- \* Height adjustment: 45° down, 45° up
- \* Total length 806 mm
- \* Compatible with multimedia terminals (TMM)
- \* Colour RAL 7024 (Graphite grey) and White
- \* All our medical arms are in conformity: CE, ROHS, Medical Grade, Regulations MDD 93/42 ECC.
- \* Warranty: 5 years

Note: This arm can also be installed on one of our medical columns or trolleys.



Display Compatibility: 26" Wide ( Weight)  
 Supported Weight: 9-14 Kg  
 VESA standard: 75 / 100 mm



Do not hesitate to contact us if you have any questions about this product.

**Warranty: 5 years**

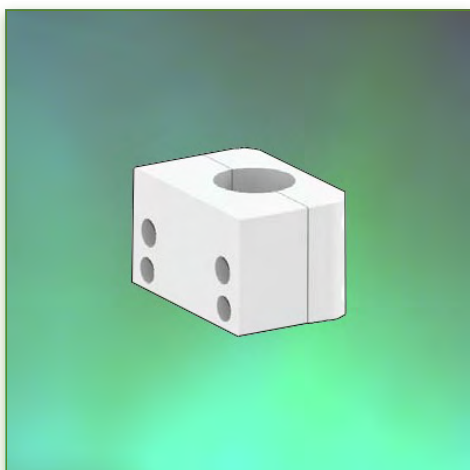
000.978.114-3

**Graphite Grey and White**

**On Measure**

= **Depending on the elements**

**978.114-3**

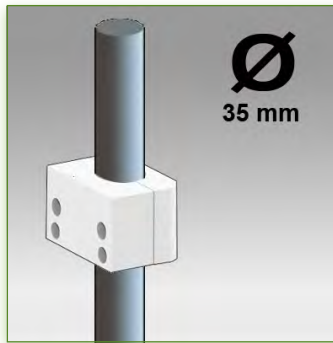
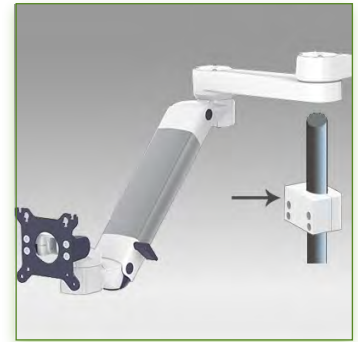
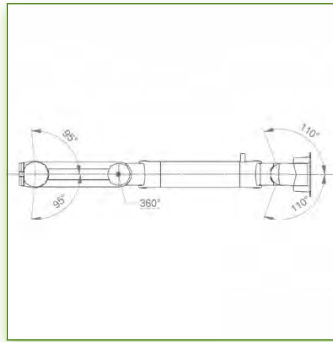
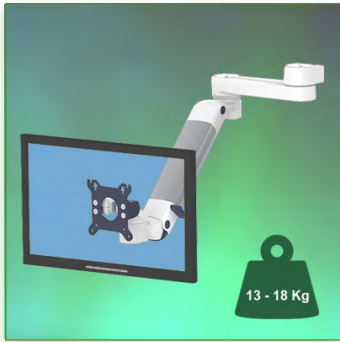


**Anti-bacterial properties:**

IT medical arms are now designed with Microban antibacterial protection, a revolutionary treatment that guarantees optimal hygiene. IT medical arms integrate Microban and other antibacterial agents into all medical products. It inhibits the growth of bacteria of all types. This is not a surface treatment.

It is 100% in the totality of the product. It does not alter the physico-mechanical properties of the medical arm lift system. Simulations over 30 years show that 100% of the antibacterial properties are maintained.

All medical articulated arms incorporate Microban. Microban is the world's leading provider of anti-bacterial solutions. It has been successfully applied for more than 35 years in a wide range of products used in the hospital, construction and food industries.



Display Compatibility: 26" Wide ( Weight)  
 Supported Weight: 13-18 Kg  
 VESA standard: 75 / 100 mm

Up to 26" Wide ( Weight)  
 75/100 mm  
 13-18 Kg  
**MEDICAL GRADE**

Do not hesitate to contact us if you have any questions about this product.

**Warranty: 5 years**

000.978.114-4

Graphite Grey and White

On Measure

= Depending on the elements

978.114-4

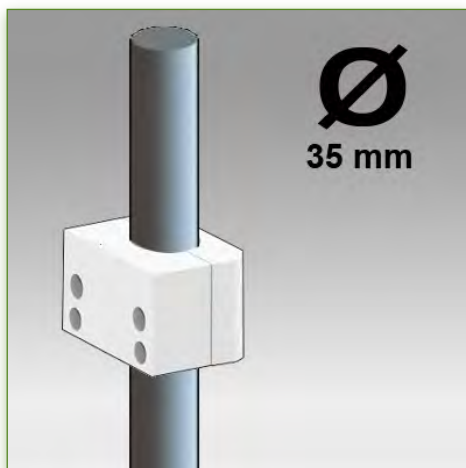
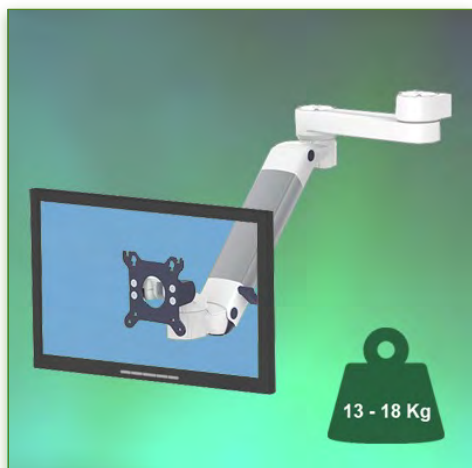
**PH Medical Monitor Arm (High Position) height adjustable 300 + 240 mm, Mounting on 35 mm Fixed Pole**

This PH (High Position) Horizontal Medical Arm 300 + 240 mm with gas spring height adjustment allows the LCD screen to be perfectly fixed, oriented and adjusted. It is coated with an anti-microbial agent offering hygiene and cleaning down to the last detail. Its modern design has been specially designed for healthcare environments.

**Technical specifications:**

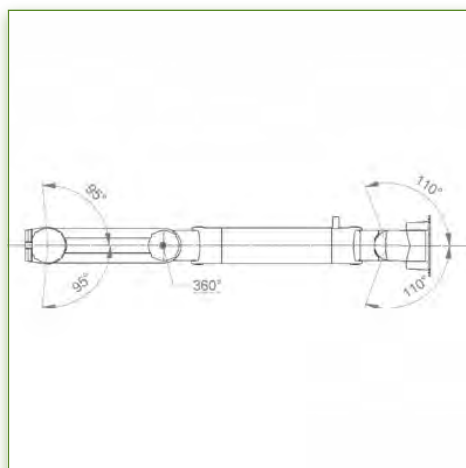
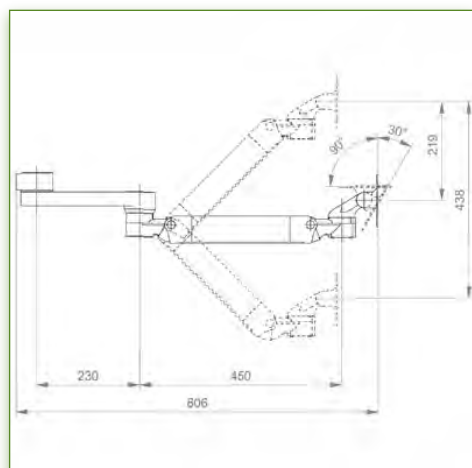
- \* Integrated cable channel
- \* Equipotential bonding
- \* Mounting on 35 mm fixed pole, fixing ring included.
- \* This PH Horizontal 300 +240 mm gas spring arm simply slips into the pole 35 mm and then adjusts to the desired height and fixed.
- \* It has a safety height adjustment stop button, which allows the arm to remain in the chosen position.
- \* Installation specific to the high position (PH)
- \* The head of this arm complies with the screen mounting standard: VESA MIS-D 75 mm and 100 mm.
- \* Compatible with screens whose weight does not exceed 13-18 Kg.
- \* Touch screen stability.
- \* Screen tilt: 50° down and 100° up \* Screen rotation: 110° right, 110° left.
- \* Arm rotation: 105° to the right, 105° to the left.
- \* Height adjustment: 45° down, 45° up
- \* Total length 806 mm
- \* Compatible with multimedia terminals (TMM)
- \* Colour RAL 7024 (Graphite grey) and White
- \* All our medical arms are in conformity: CE, ROHS, Medical Grade, Regulations MDD 93/42 ECC.
- \* Warranty: 5 years

Note: This arm can also be installed on one of our medical columns or trolleys.



Display Compatibility: 26" Wide ( Weight)  
 Supported Weight: 13-18 Kg  
 VESA standard: 75 / 100 mm

Up to 26" Wide ( Weight)  
 75/100 mm  
 13-18 Kg



Do not hesitate to contact us if you have any questions about this product.

**Warranty: 5 years**

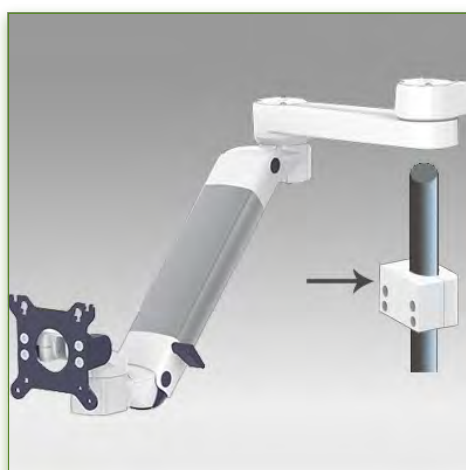
000.978.114-4

**Graphite Grey and White**

**On Measure**

= Depending on the elements

978.114-4

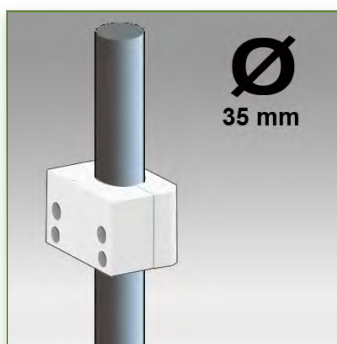
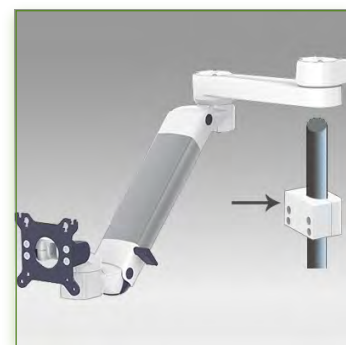
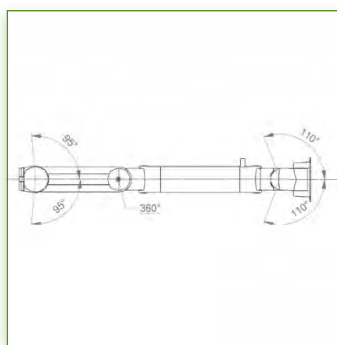
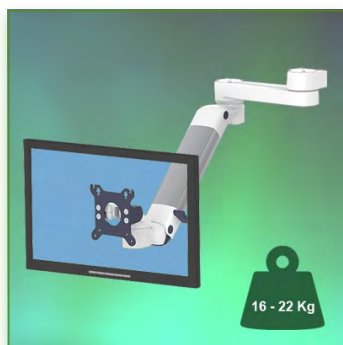


**Anti-bacterial properties:**

IT medical arms are now designed with Microban antibacterial protection, a revolutionary treatment that guarantees optimal hygiene. IT medical arms integrate Microban and other antibacterial agents into all medical products. It inhibits the growth of bacteria of all types. This is not a surface treatment.

It is 100% in the totality of the product. It does not alter the physico-mechanical properties of the medical arm lift system. Simulations over 30 years show that 100% of the antibacterial properties are maintained.

All medical articulated arms incorporate Microban. Microban is the world's leading provider of anti-bacterial solutions. It has been successfully applied for more than 35 years in a wide range of products used in the hospital, construction and food industries.



Display Compatibility: 26" Wide ( Weight)  
 Supported Weight: 16-22 Kg  
 VESA standard: 75 / 100 mm

Up to 26" Wide ( Weight)  
 75/100 mm  
 16-22 Kg  
**MEDICAL GRADE**

Do not hesitate to contact us if you have any questions about this product.

Warranty: 5 years

000.978.114-5

Graphite Grey and White

On Measure

= Depending on the elements

978.114-5

**PH Medical Monitor Arm (High Position) height adjustable 300 + 240 mm, Mounting on 35 mm Fixed Pole**

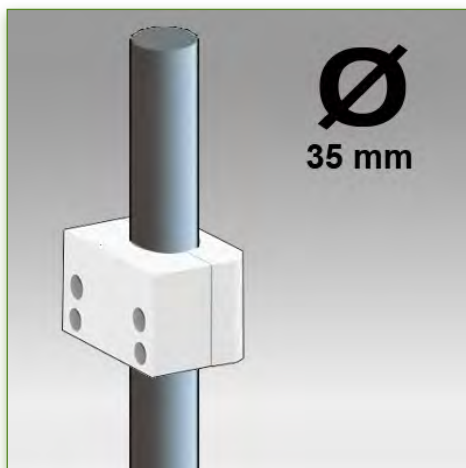
This PH (High Position) Horizontal Medical Arm 300 + 240 mm with gas spring height adjustment allows the LCD screen to be perfectly fixed, oriented and adjusted. It is coated with an anti-microbial agent offering hygiene and cleaning down to the last detail. Its modern design has been specially designed for healthcare environments.

**Technical specifications:**

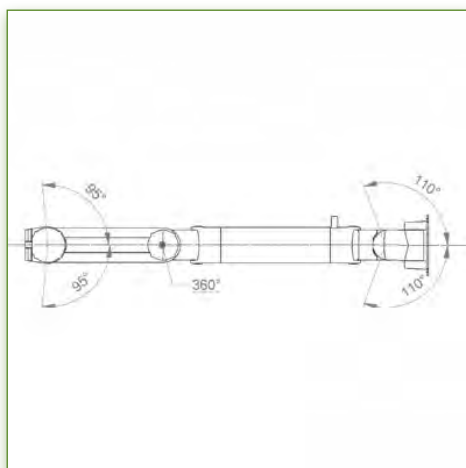
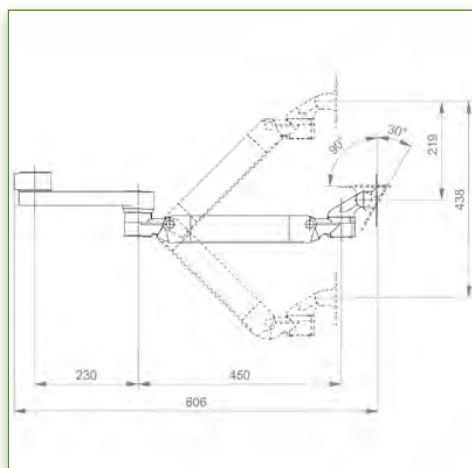
- \* Integrated cable channel
- \* Equipotential bonding
- \* Mounting on 35 mm fixed pole, fixing ring included.
- \* This PH Horizontal 300 +240 mm gas spring arm simply slips into the pole 35 mm and then adjusts to the desired height and fixed.
- \* It has a safety height adjustment stop button, which allows the arm to remain in the chosen position.
- \* Installation specific to the high position (PH)
- \* The head of this arm complies with the screen mounting standard: VESA MIS-D 75 mm and 100 mm.
- \* Compatible with screens whose weight does not exceed 16-22 Kg.
- \* Touch screen stability.
- \* Screen tilt: 50° down and 100° up \* Screen rotation: 110° right, 110° left.
- \* Arm rotation: 105° to the right, 105° to the left.
- \* Height adjustment: 45° down, 45° up
- \* Total length 806 mm
- \* Compatible with multimedia terminals (TMM)
- \* Colour RAL 7024 (Graphite grey) and White
- \* All our medical arms are in conformity: CE, ROHS, Medical Grade, Regulations MDD 93/42 ECC.
- \* Warranty: 5 years

Note: This arm can also be installed on one of our medical columns or trolleys.





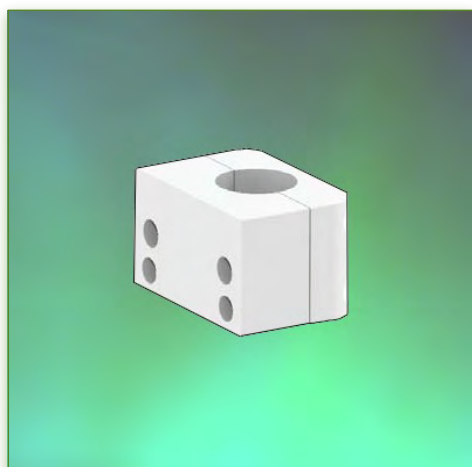
Display Compatibility: 26" Wide ( Weight)  
 Supported Weight: 16-22 Kg  
 VESA standard: 75 / 100 mm



**Medical Grade**

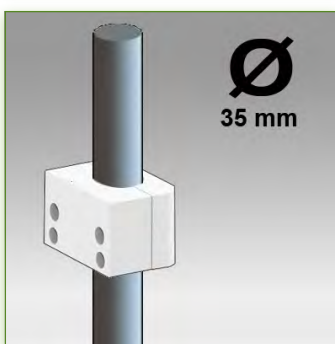
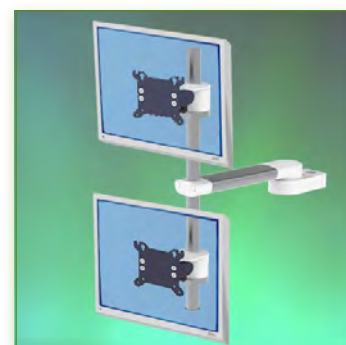
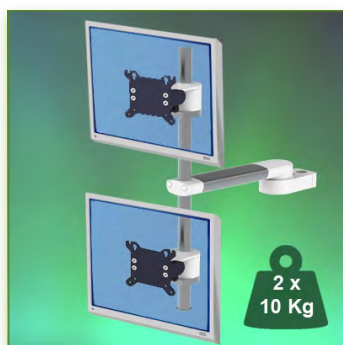
Do not hesitate to contact us if you have any questions about this product.

- Warranty: 5 years**
- 000.978.114-5**
- Graphite Grey and White**
- On Measure**
- = Depending on the elements**
- 978.114-5**



**Anti-bacterial properties:**

IT medical arms are now designed with Microban antibacterial protection, a revolutionary treatment that guarantees optimal hygiene. IT medical arms integrate Microban and other antibacterial agents into all medical products. It inhibits the growth of bacteria of all types. This is not a surface treatment. It is 100% in the totality of the product. It does not alter the physico-mechanical properties of the medical arm lift system. Simulations over 30 years show that 100% of the antibacterial properties are maintained. All medical articulated arms incorporate Microban. Microban is the world's leading provider of anti-bacterial solutions. It has been successfully applied for more than 35 years in a wide range of products used in the hospital, construction and food industries.



Display Compatibility: 26" Wide ( Weight)  
Supported Weight: 2 x 10 Kg  
VESA standard: 75 / 100 mm

**Horizontal Medical Arm 240 mm equipped with a pole for two screens Mounting on 35 mm Fixed Pole**

This 240 mm Horizontal Medical Arm equipped with a pole allows two LCD screens to be perfectly fixed, oriented and adjusted.

It is coated with an anti-microbial agent offering hygiene and cleaning down to the last detail.

Its modern design has been specially designed for healthcare environments.

**Technical specifications:**

- \* Integrated cable channel
- \* Mounting on 35 mm fixed pole, fixing ring included.
- \* This 240 mm Horizontal Arm with Pole simply slides into the pole 35 mm and then adjust to the desired height and fixed. Rotary head.
- \* The heads comply with the screen mounting standard: VESA MIS-D 75 mm and 100 mm.
- \* Compatible with screens whose weight does not exceed 10 Kg either 20 Kg total.
- \* Touch screen stability. \* Screen tilt: 20° down and 20° up
- \* Screen rotation: 45° to the right, 45° to the left.
- \* Arm rotation: 45° to the right, 45° to the left. \* Total length 387 mm
- \* Compatible with multimedia terminals (TMM)
- \* Colour RAL 7024 (Graphite grey) and White
- \* All our medical arms are in conformity: CE, ROHS, Medical Grade, Regulations MDD 93/42 ECC.
- \* Warranty: 5 years

Note: This arm can also be installed on one of our medical columns or trolleys.

Up to 26" Wide ( Weight)  
75/100 mm  
2 x 10 Kg  
MEDICAL GRADE

Do not hesitate to contact us if you have any questions about this product.

Warranty: 5 years

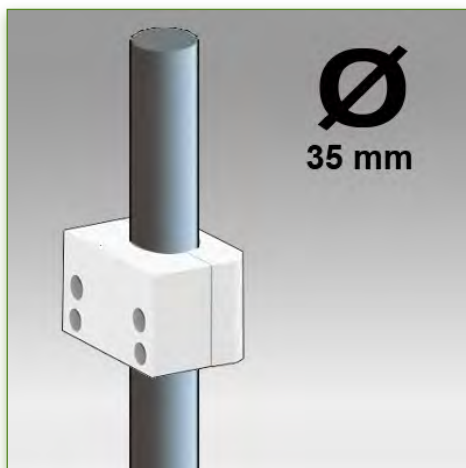
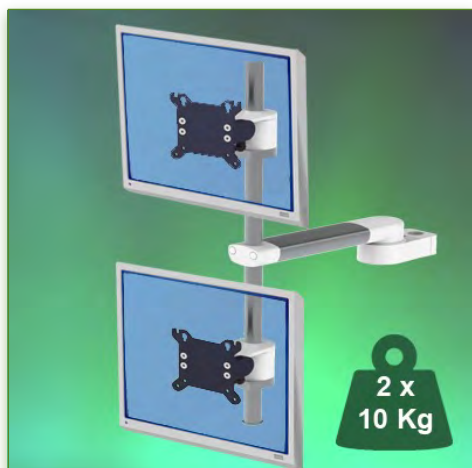
000.978.843

Graphite Grey and White

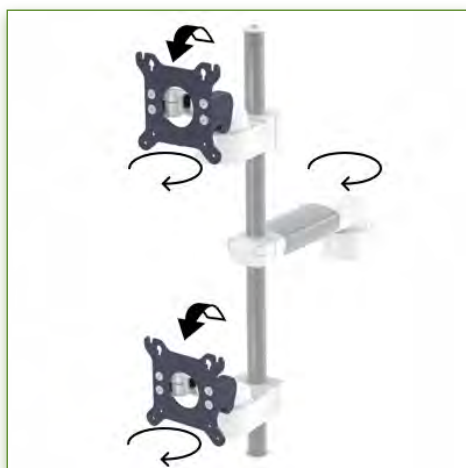
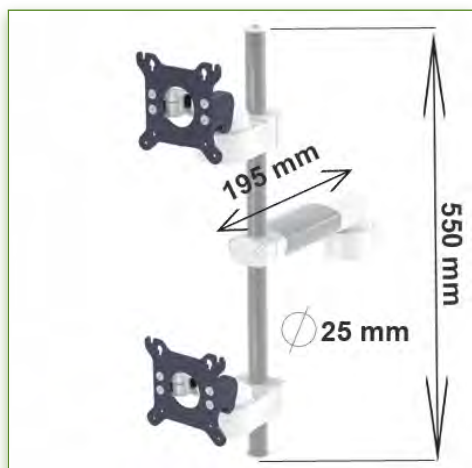
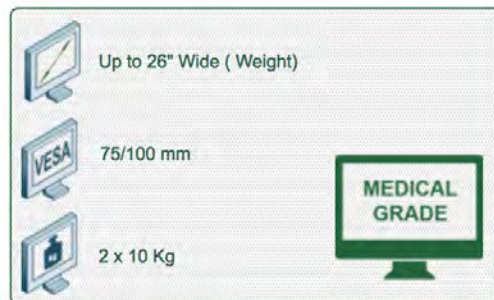
On Measure

= Depending on the elements

978.843



Display Compatibility: 26" Wide ( Weight)  
 Supported Weight: 2 x 10 Kg  
 VESA standard: 75 / 100 mm



Do not hesitate to contact us if you have any questions about this product.

Warranty: 5 years

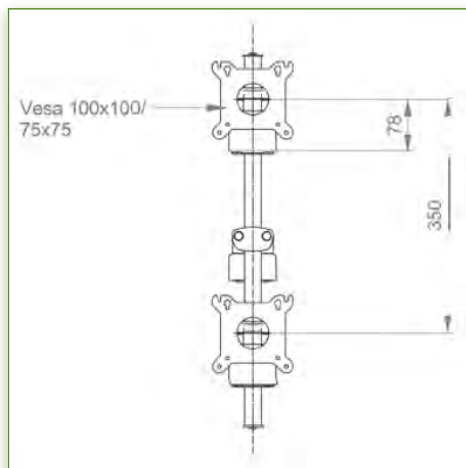
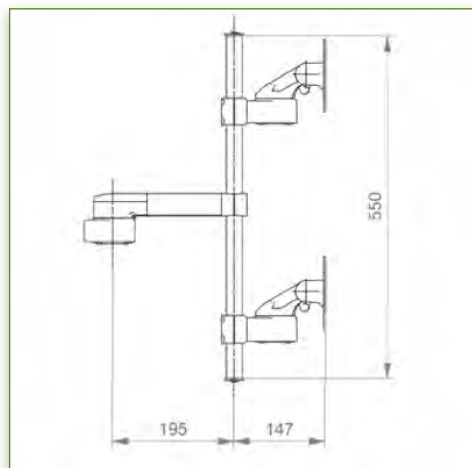
000.978.843

Graphite Grey and White

On Measure

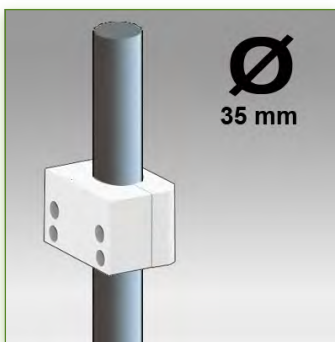
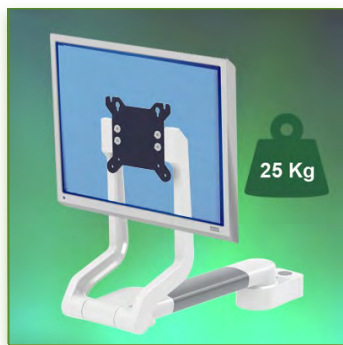
= Depending on the elements

978.843



**Anti-bacterial properties:**

IT medical arms are now designed with Microban antibacterial protection, a revolutionary treatment that guarantees optimal hygiene. IT medical arms integrate Microban and other antibacterial agents into all medical products. It inhibits the growth of bacteria of all types. This is not a surface treatment. It is 100% in the totality of the product. It does not alter the physico-mechanical properties of the medical arm lift system. Simulations over 30 years show that 100% of the antibacterial properties are maintained. All medical articulated arms incorporate Microban. Microban is the world's leading provider of anti-bacterial solutions. It has been successfully applied for more than 35 years in a wide range of products used in the hospital, construction and food industries.



Display Compatibility: 26" Wide ( Weight)  
 Supported Weight: 25 Kg  
 VESA standard: 75 / 100 mm

**306 mm Horizontal Swivel Stand Medical Arm with 10° to 15° Tilting Foot Mounting on 35 mm Fixed Pole**

This 278 mm Horizontal Swivel Stand Arm allows the LCD screen to be perfectly fixed, oriented and adjusted.

It is coated with an anti-microbial agent offering hygiene and cleaning down to the last detail.

Its modern design has been specially designed for healthcare environments.

**Technical specifications:**

- \* Integrated cable channel
- \* Mounting on 35 mm fixed pole, fixing ring included.
- \* This 306 mm Horizontal Swivelling Arm simply slips into the pole 35 mm and then adjust to the desired height and fixed. He doesn't own height adjustment but swivels on itself.
- \* The head of this arm complies with the screen mounting standard: VESA MIS-D 75 mm and 100 mm.
- \* Compatible with screens whose weight does not exceed 25 Kg.
- \* Touch screen stability.
- \* Total length 333 mm
- \* Height of the screen stand: 315 mm not inclined, 295 mm inclined
- \* Stand rotation: 210°. \* Arm rotation: 210°.
- \* Compatible with multimedia terminals (TMM)
- \* Colour RAL 7024 (Graphite grey) and White
- \* All our medical arms are in conformity: CE, ROHS, Medical Grade, Regulations MDD 93/42 ECC.
- \* Warranty: 5 years

Note: This arm can also be installed on one of our medical columns or trolleys.

Up to 26" Wide ( Weight)  
 75/100 mm  
 25 Kg  
**MEDICAL GRADE**

Do not hesitate to contact us if you have any questions about this product.

**Warranty: 5 years**

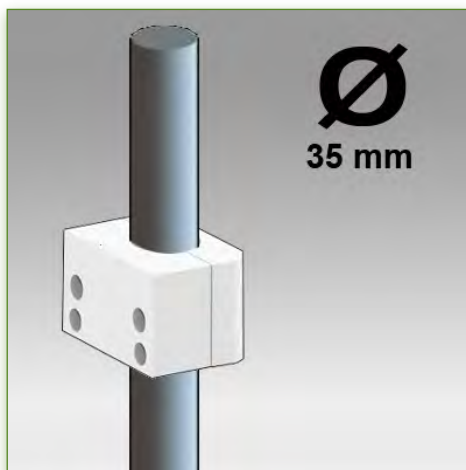
000.978.845

Graphite Grey and White

On Measure

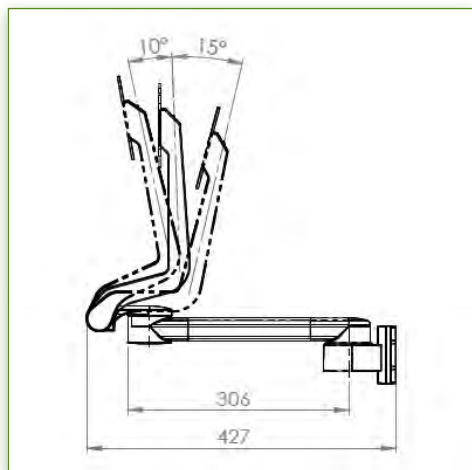
= Depending on the elements

978.845



Display Compatibility: 26" Wide ( Weight)  
Supported Weight: 25 Kg  
VESA standard: 75 / 100 mm

Up to 26" Wide ( Weight)  
75/100 mm  
25 Kg



Do not hesitate to contact us if you have any questions about this product.

**Warranty: 5 years**

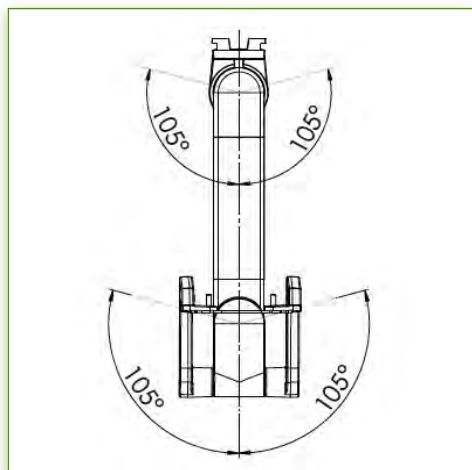
000.978.845

**Graphite Grey and White**

**On Measure**

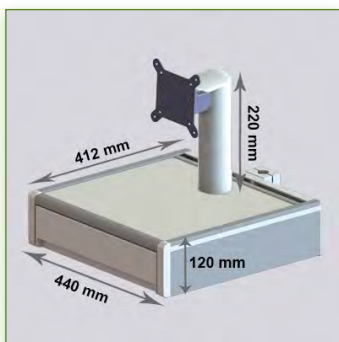
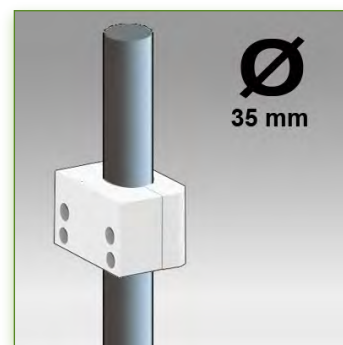
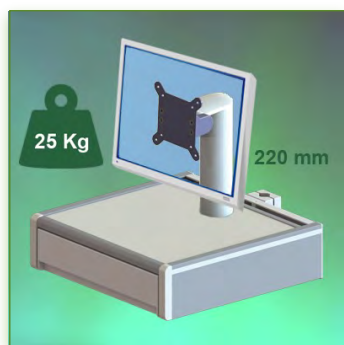
= Depending on the elements

**978.845**

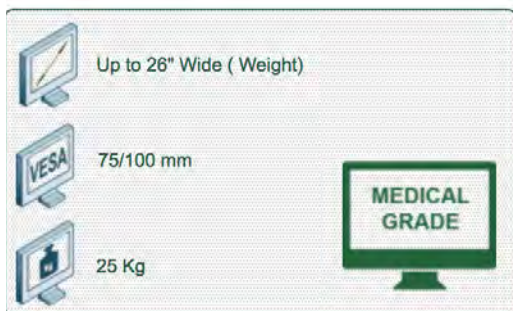


**Anti-bacterial properties:**

IT medical arms are now designed with Microban antibacterial protection, a revolutionary treatment that guarantees optimal hygiene. IT medical arms integrate Microban and other antibacterial agents into all medical products. It inhibits the growth of bacteria of all types. This is not a surface treatment. It is 100% in the totality of the product. It does not alter the physico-mechanical properties of the medical arm lift system. Simulations over 30 years show that 100% of the antibacterial properties are maintained. All medical articulated arms incorporate Microban. Microban is the world's leading provider of anti-bacterial solutions. It has been successfully applied for more than 35 years in a wide range of products used in the hospital, construction and food industries.



Display Compatibility: 26" Wide ( Weight)  
 Supported Weight: 25 Kg  
 VESA standard: 75 / 100 mm  
 Arm height: 220 mm



**Medical Console for Display Height 220 mm Fixed Pole 35 mm Mount**

This display console allows you to perfectly fix, orient and adjust an LCD screen and provides additional storage space with a drawer.

It is covered with an anti-microbial agent offering hygiene and cleaning down to the last detail.

Its modern design has been specially designed for healthcare environments.

**Technical specifications:**

- \* Integrated cable channel
- \* Mounting on 35 mm fixed pole, fixing ring included.
- \* This medical console simply comes to be fixed on a pole whose diameter is 35 mm and then adjust to the desired and fixed height.
- \* Weight Supported by the console: 25 Kg
- \* Tube arm with tilting head for 220 mm screen height ( 50° down / 100° up)
- \* The head of this arm complies with the screen mounting standard: VESA MIS-D 75 mm and 100 mm.
- \* Internal sliding drawer dimensions: 364 x 400 mm
- \* Compatible with multimedia terminals (TMM)
- \* Colour RAL 7024 (Graphite grey) and White
- \* All our medical arms are in conformity: CE, ROHS, Medical Grade, Regulations MDD 93/42 ECC.
- \* Warranty: 5 years

Note: This Console can also be installed on one of our medical columns or trolleys.

Do not hesitate to contact us if you have any questions about this product.

**Warranty: 5 years**

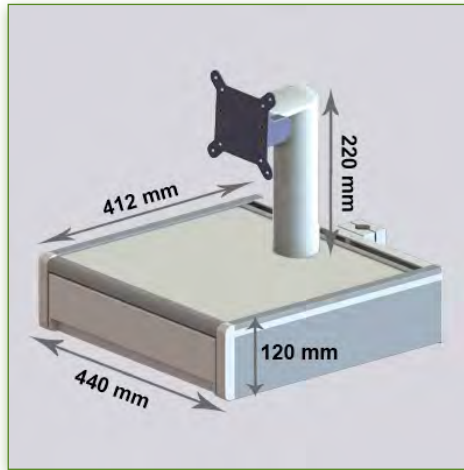
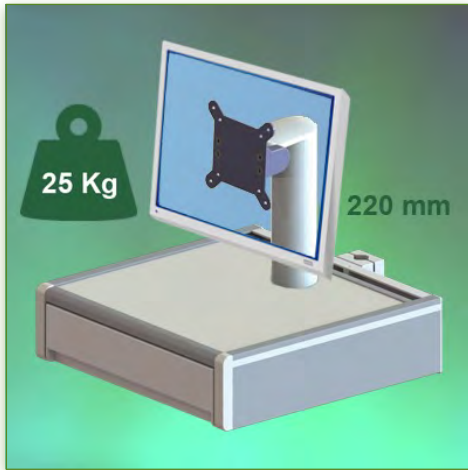
000.978.858

Graphite Grey and White

On Measure

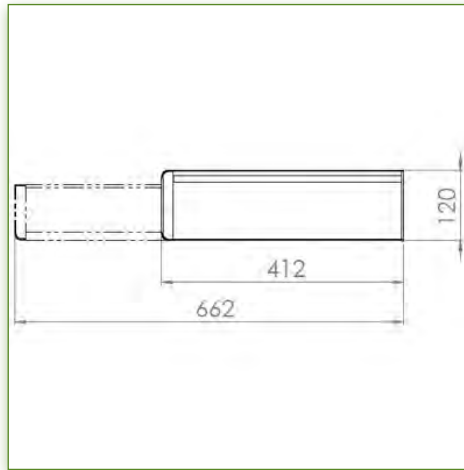
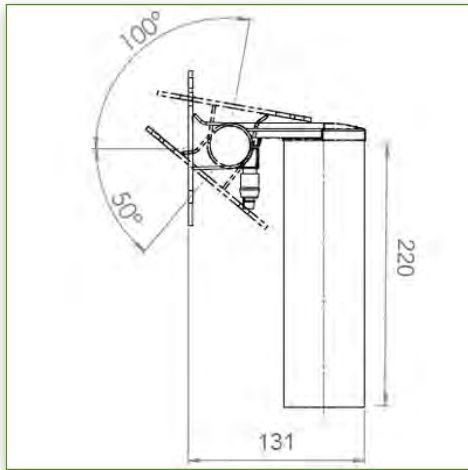
= Depending on the elements

978.858



Display Compatibility: 26" Wide ( Weight)  
 Supported Weight: 25 Kg  
 VESA standard: 75 / 100 mm  
 Arm height: 220 mm

Up to 26" Wide ( Weight)  
 75/100 mm  
 25 Kg



Do not hesitate to contact us if you have any questions about this product.

**Warranty: 5 years**

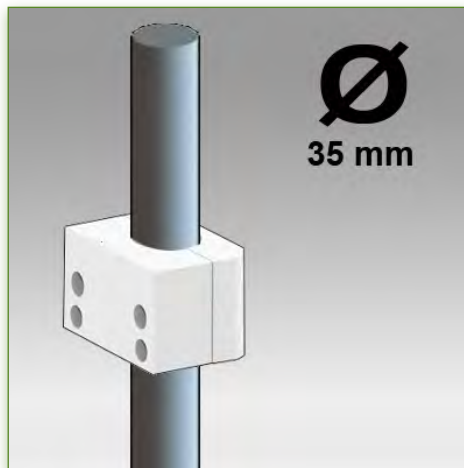
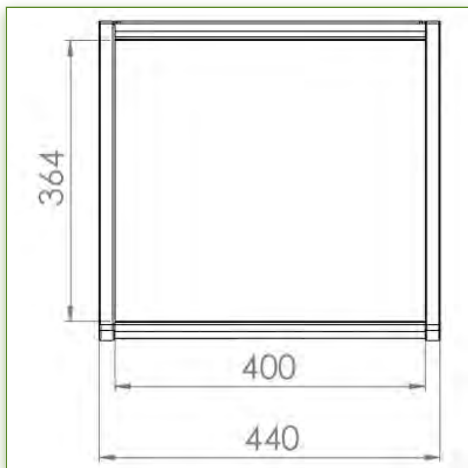
000.978.858

Graphite Grey and White

On Measure

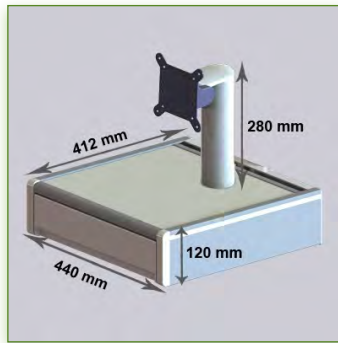
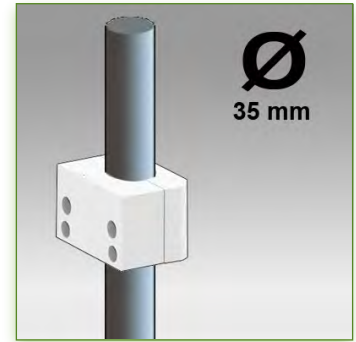
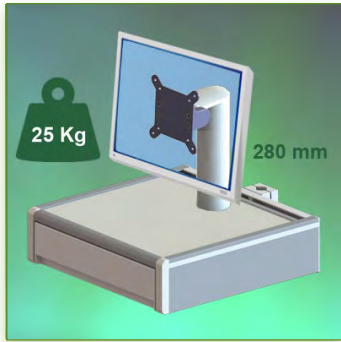
= Depending on the elements

978.858

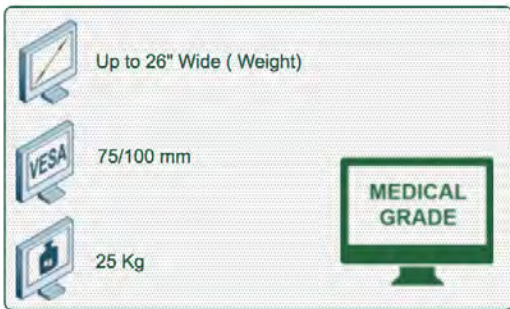


**Anti-bacterial properties:**

IT medical arms are now designed with Microban antibacterial protection, a revolutionary treatment that guarantees optimal hygiene. IT medical arms integrate Microban and other antibacterial agents into all medical products. It inhibits the growth of bacteria of all types. This is not a surface treatment. It is 100% in the totality of the product. It does not alter the physico-mechanical properties of the medical arm lift system. Simulations over 30 years show that 100% of the antibacterial properties are maintained. All medical articulated arms incorporate Microban. Microban is the world's leading provider of anti-bacterial solutions. It has been successfully applied for more than 35 years in a wide range of products used in the hospital, construction and food industries.



Display Compatibility: 26" Wide ( Weight)  
 Supported Weight: 25 Kg  
 VESA standard: 75 / 100 mm  
 Arm height: 280 mm



Do not hesitate to contact us if you have any questions about this product.

**Warranty: 5 years**

000.978.859

Graphite Grey and White

On Measure

= Depending on the elements

978.859

**Medical Console for Display Height 280 mm Fixed Pole 35 mm Mount**

This display console allows you to perfectly fix, orient and adjust an LCD screen and provides additional storage space with a drawer.

It is covered with an anti-microbial agent offering hygiene and cleaning down to the last detail.

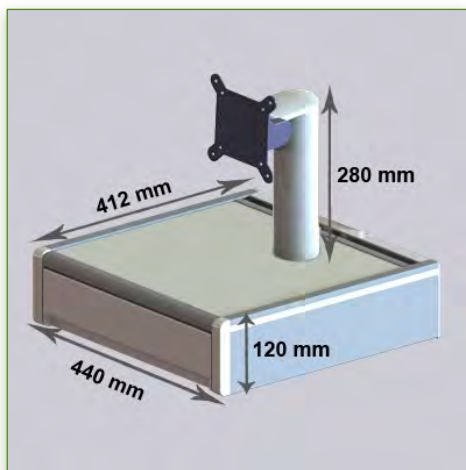
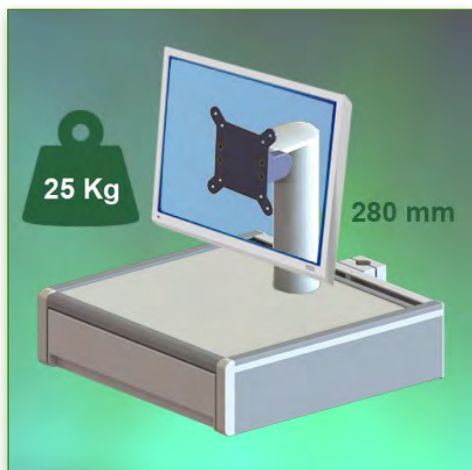
Its modern design has been specially designed for healthcare environments.

**Technical specifications:**

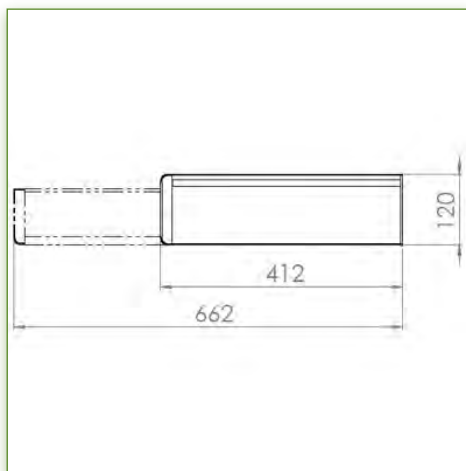
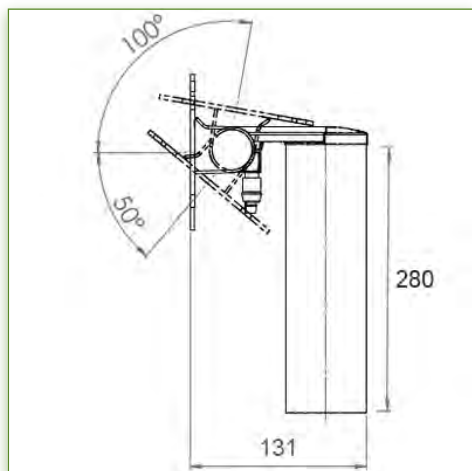
- \* Integrated cable channel
- \* Mounting on 35 mm fixed pole, fixing ring included.
- \* This medical console simply comes to be fixed on a pole whose diameter is 35 mm and then adjust to the desired and fixed height.
- \* Weight Supported by the console: 25 Kg
- \* Tube arm with tilting head for 280 mm screen height ( 50° down / 100° up)
- \* The head of this arm complies with the screen mounting standard: VESA MIS-D 75 mm and 100 mm.
- \* Internal sliding drawer dimensions: 364 x 400 mm
- \* Compatible with multimedia terminals (TMM)
- \* Colour RAL 7024 (Graphite grey) and White
- \* All our medical arms are in conformity: CE, ROHS, Medical Grade, Regulations MDD 93/42 ECC.
- \* Warranty: 5 years

Note: This Console can also be installed on one of our medical columns or trolleys.



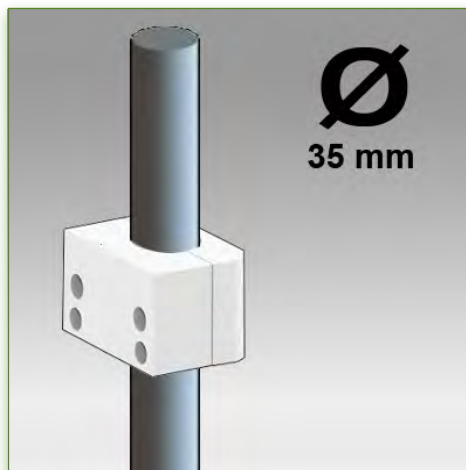
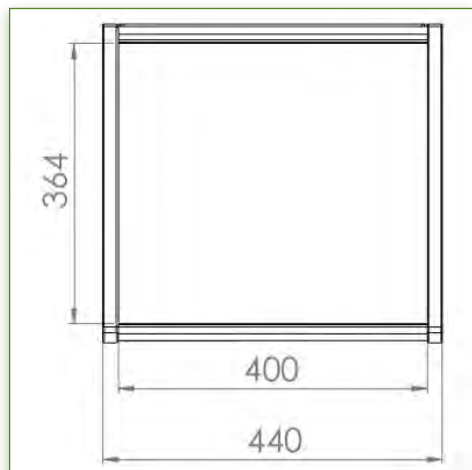


Display Compatibility: 26" Wide ( Weight)  
 Supported Weight: 25 Kg  
 VESA standard: 75 / 100 mm  
 Arm height: 280 mm



Do not hesitate to contact us if you have any questions about this product.

- Warranty: 5 years
- 000.978.859
- Graphite Grey and White
- On Measure
- = Depending on the elements
- 978.859



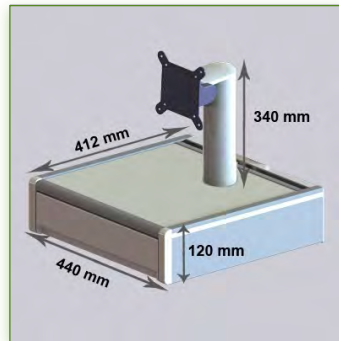
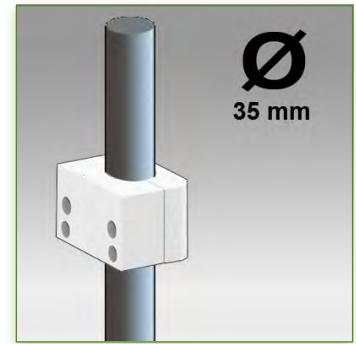
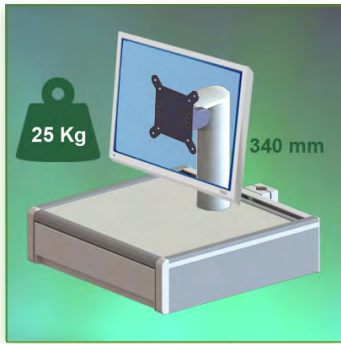
**Anti-bacterial properties:**

IT medical arms are now designed with Microban antibacterial protection, a revolutionary treatment that guarantees optimal hygiene. IT medical arms integrate Microban and other antibacterial agents into all medical products. It inhibits the growth of bacteria of all types. This is not a surface treatment.

It is 100% in the totality of the product.

It does not alter the physico-mechanical properties of the medical arm lift system. Simulations over 30 years show that 100% of the antibacterial properties are maintained.

All medical articulated arms incorporate Microban. Microban is the world's leading provider of anti-bacterial solutions. It has been successfully applied for more than 35 years in a wide range of products used in the hospital, construction and food industries.



Display Compatibility: 26" Wide ( Weight)  
 Supported Weight: 25 Kg  
 VESA standard: 75 / 100 mm  
 Arm height: 340 mm



Do not hesitate to contact us if you have any questions about this product.

**Warranty: 5 years**

000.978.860

Graphite Grey and White

On Measure

= Depending on the elements

978.860

**Medical Console for Display Height 340 mm Fixed Pole 35 mm Mount**

This display console allows you to perfectly fix, orient and adjust an LCD screen and provides additional storage space with a drawer.

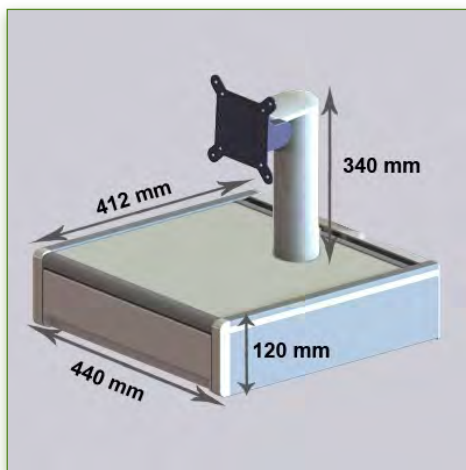
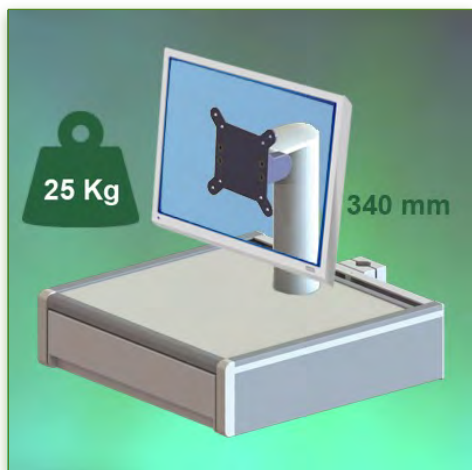
It is covered with an anti-microbial agent offering hygiene and cleaning down to the last detail.

Its modern design has been specially designed for healthcare environments.

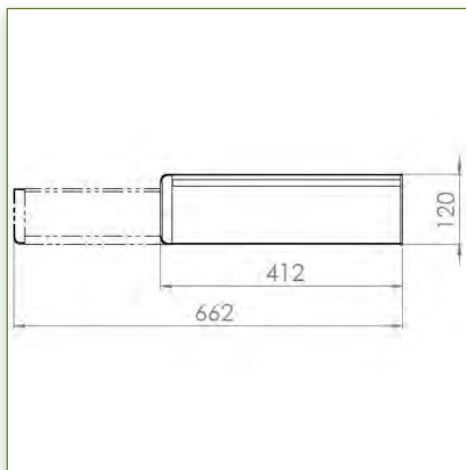
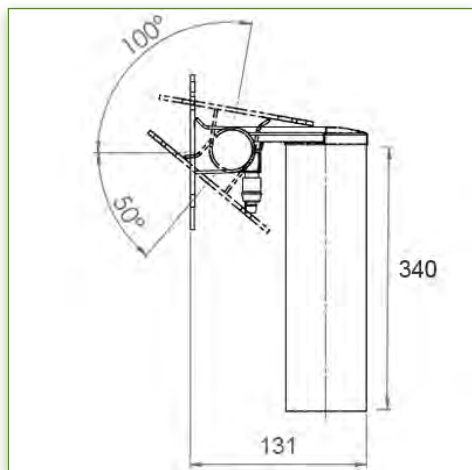
**Technical specifications:**

- \* Integrated cable channel
- \* Mounting on 35 mm fixed pole, fixing ring included.
- \* This medical console simply comes to be fixed on a pole whose diameter is 35 mm and then adjust to the desired and fixed height.
- \* Weight Supported by the console: 25 Kg
- \* Tube arm with tilting head for 340 mm screen height ( 50° down / 100° up)
- \* The head of this arm complies with the screen mounting standard: VESA MIS-D 75 mm and 100 mm.
- \* Internal sliding drawer dimensions: 364 x 400 mm
- \* Compatible with multimedia terminals (TMM)
- \* Colour RAL 7024 (Graphite grey) and White
- \* All our medical arms are in conformity: CE, ROHS, Medical Grade, Regulations MDD 93/42 ECC.
- \* Warranty: 5 years

Note: This Console can also be installed on one of our medical columns or trolleys.



Display Compatibility: 26" Wide ( Weight)  
 Supported Weight: 25 Kg  
 VESA standard: 75 / 100 mm  
 Arm height: 340 mm



Medical Grade



Do not hesitate to contact us if you have any questions about this product.



Warranty: 5 years



000.978.860



Graphite Grey and White



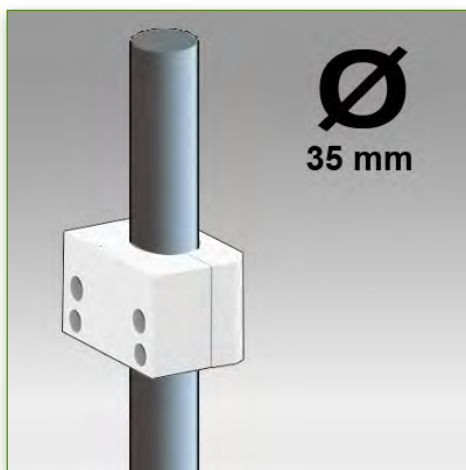
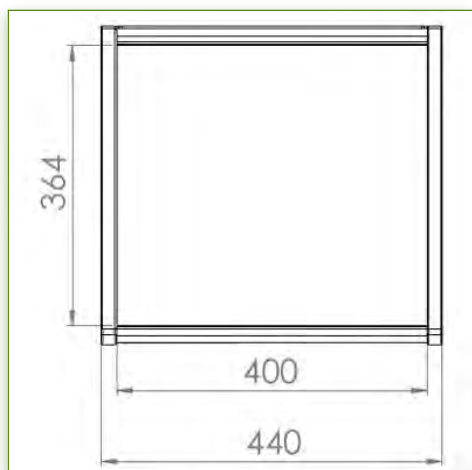
On Measure



= Depending on the elements



978.860

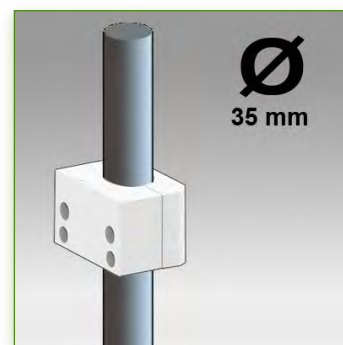
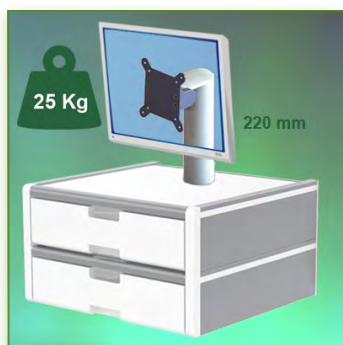


**Anti-bacterial properties:**

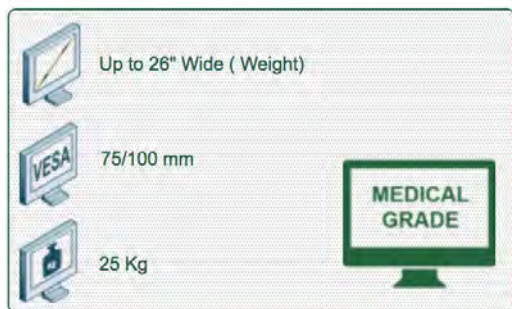
IT medical arms are now designed with Microban antibacterial protection, a revolutionary treatment that guarantees optimal hygiene. IT medical arms integrate Microban and other antibacterial agents into all medical products. It inhibits the growth of bacteria of all types. This is not a surface treatment.

It is 100% in the totality of the product. It does not alter the physico-mechanical properties of the medical arm lift system. Simulations over 30 years show that 100% of the antibacterial properties are maintained.

All medical articulated arms incorporate Microban. Microban is the world's leading provider of anti-bacterial solutions. It has been successfully applied for more than 35 years in a wide range of products used in the hospital, construction and food industries.



Display Compatibility: 26" Wide ( Weight)  
 Supported Weight: 25 Kg  
 VESA standard: 75 / 100 mm  
 Arm height: 220 mm



**Medical Console for Display, 2 drawers, height 220 mm**  
**Fixed Pole 35 mm Mount**

This display console allows you to perfectly fix, orient and adjust an LCD screen and provides additional storage space with a drawer.

It is covered with an anti-microbial agent offering hygiene and cleaning down to the last detail.

Its modern design has been specially designed for healthcare environments.

**Technical specifications:**

- \* Integrated cable channel
- \* Mounting on 35 mm fixed pole, fixing ring included.
- \* This medical console simply comes to be fixed on a pole whose diameter is 35 mm and then adjust to the desired and fixed height.
- \* Weight Supported by the console: 25 Kg
- \* Tube arm with tilting head for 220 mm screen height ( 50° down / 100° up)
- \* The head of this arm complies with the screen mounting standard: VESA MIS-D 75 mm and 100 mm.
- \* Internal sliding drawer (2) dimensions: 364 x 400 mm
- \* Compatible with multimedia terminals (TMM)
- \* Colour RAL 7024 (Graphite grey) and White
- \* All our medical arms are in conformity: CE, ROHS, Medical Grade, Regulations MDD 93/42 ECC.
- \* Warranty: 5 years

Note: This Console can also be installed on one of our medical columns or trolleys.

Do not hesitate to contact us if you have any questions about this product.

Warranty: 5 years

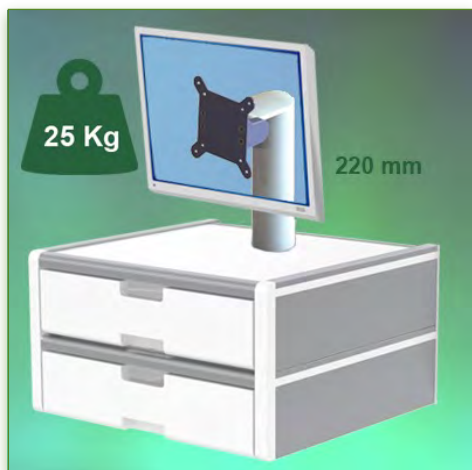
000.978.861

Graphite Grey and White

On Measure

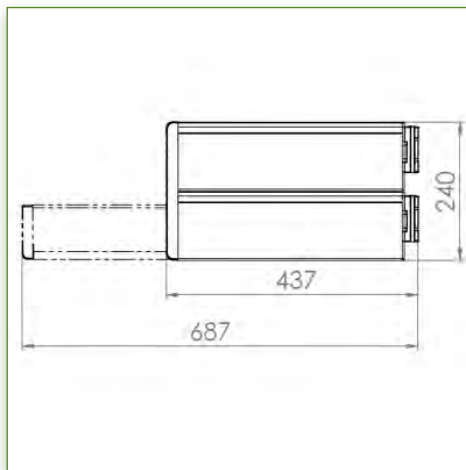
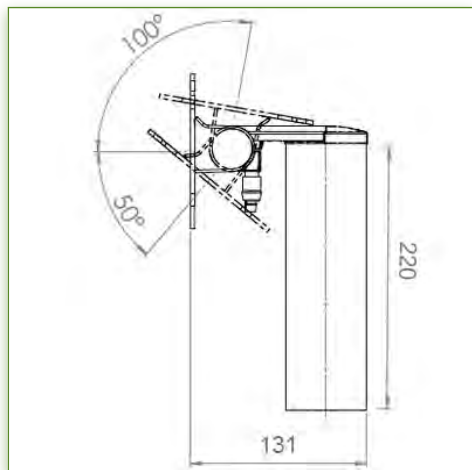
= Depending on the elements

978.861

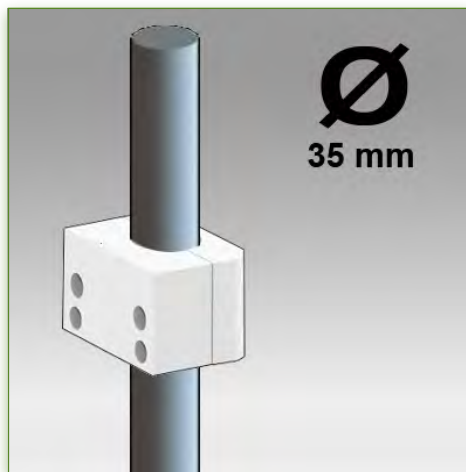
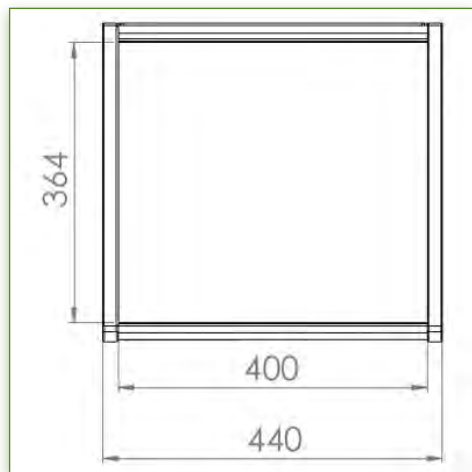


Display Compatibility: 26" Wide ( Weight)  
 Supported Weight: 25 Kg  
 VESA standard: 75 / 100 mm  
 Arm height: 220 mm

Up to 26" Wide ( Weight)  
 75/100 mm  
 25 Kg  
**MEDICAL GRADE**

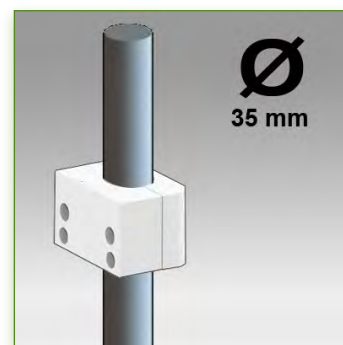
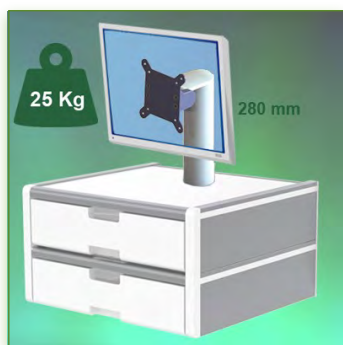


- Do not hesitate to contact us if you have any questions about this product.
- Warranty: 5 years
- 000.978.861
- Graphite Grey and White
- On Measure
- = Depending on the elements
- 978.861

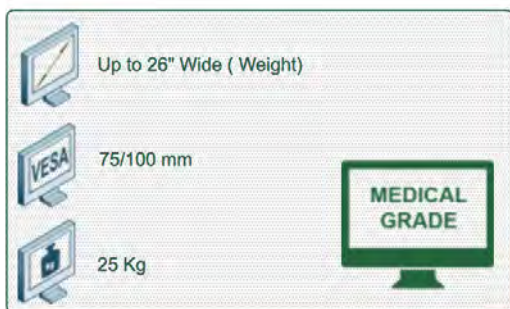


**Anti-bacterial properties:**

IT medical arms are now designed with Microban antibacterial protection, a revolutionary treatment that guarantees optimal hygiene. IT medical arms integrate Microban and other antibacterial agents into all medical products. It inhibits the growth of bacteria of all types. This is not a surface treatment. It is 100% in the totality of the product. It does not alter the physico-mechanical properties of the medical arm lift system. Simulations over 30 years show that 100% of the antibacterial properties are maintained. All medical articulated arms incorporate Microban. Microban is the world's leading provider of anti-bacterial solutions. It has been successfully applied for more than 35 years in a wide range of products used in the hospital, construction and food industries.



Display Compatibility: 26" Wide ( Weight)  
 Supported Weight: 25 Kg  
 VESA standard: 75 / 100 mm  
 Arm height: 280 mm



**Medical Console for Display, 2 drawers, height 280 mm**  
**Fixed Pole 35 mm Mount**

This display console allows you to perfectly fix, orient and adjust an LCD screen and provides additional storage space with a drawer.

It is covered with an anti-microbial agent offering hygiene and cleaning down to the last detail.

Its modern design has been specially designed for healthcare environments.

**Technical specifications:**

- \* Integrated cable channel
- \* Mounting on 35 mm fixed pole, fixing ring included.
- \* This medical console simply comes to be fixed on a pole whose diameter is 35 mm and then adjust to the desired and fixed height.
- \* Weight Supported by the console: 25 Kg
- \* Tube arm with tilting head for 280 mm screen height ( 50° down / 100° up)
- \* The head of this arm complies with the screen mounting standard: VESA MIS-D 75 mm and 100 mm.
- \* Internal sliding drawer (2) dimensions: 364 x 400 mm
- \* Compatible with multimedia terminals (TMM)
- \* Colour RAL 7024 (Graphite grey) and White
- \* All our medical arms are in conformity: CE, ROHS, Medical Grade, Regulations MDD 93/42 ECC.
- \* Warranty: 5 years

Note: This Console can also be installed on one of our medical columns or trolleys.

Do not hesitate to contact us if you have any questions about this product.

**Warranty: 5 years**

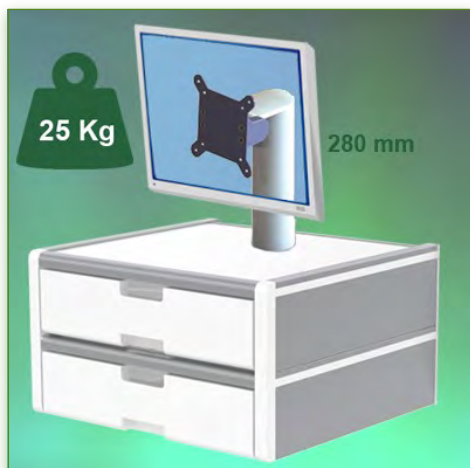
000.978.862

Graphite Grey and White

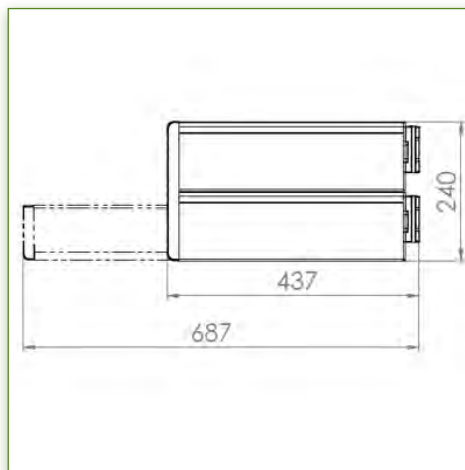
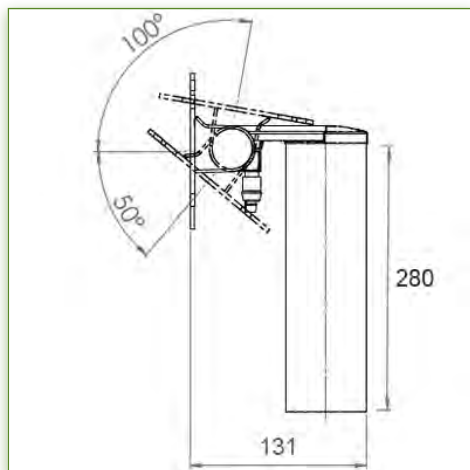
On Measure

= Depending on the elements

978.862

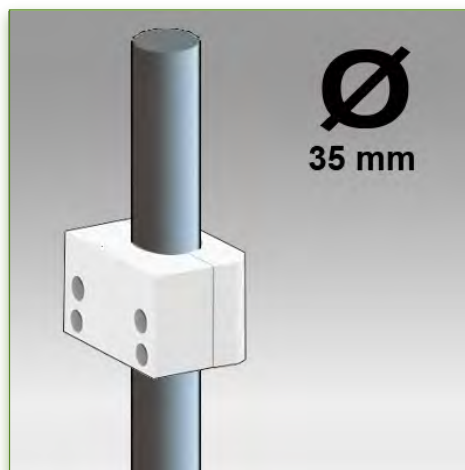
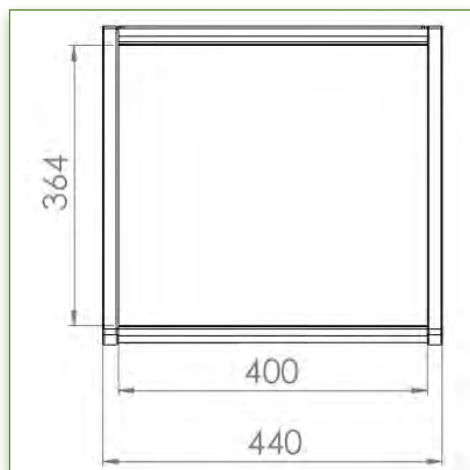


Display Compatibility: 26" Wide ( Weight)  
 Supported Weight: 25 Kg  
 VESA standard: 75 / 100 mm  
 Arm height: 280 mm



Do not hesitate to contact us if you have any questions about this product.

- Warranty: 5 years
- 000.978.862
- Graphite Grey and White
- On Measure
- = Depending on the elements
- 978.862

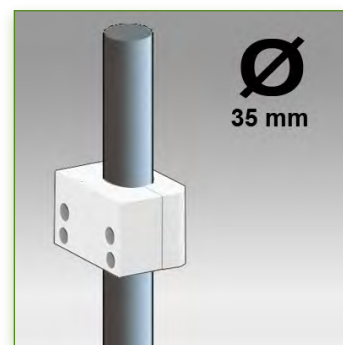
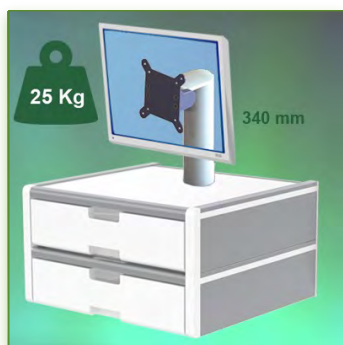


**Anti-bacterial properties:**

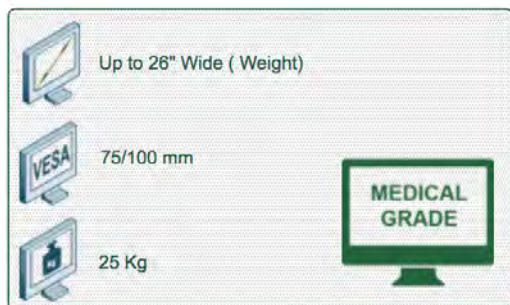
IT medical arms are now designed with Microban antibacterial protection, a revolutionary treatment that guarantees optimal hygiene. IT medical arms integrate Microban and other antibacterial agents into all medical products. It inhibits the growth of bacteria of all types. This is not a surface treatment.

It is 100% in the totality of the product. It does not alter the physico-mechanical properties of the medical arm lift system. Simulations over 30 years show that 100% of the antibacterial properties are maintained.

All medical articulated arms incorporate Microban. Microban is the world's leading provider of anti-bacterial solutions. It has been successfully applied for more than 35 years in a wide range of products used in the hospital, construction and food industries.



Display Compatibility: 26" Wide ( Weight)  
 Supported Weight: 25 Kg  
 VESA standard: 75 / 100 mm  
 Arm height: 340 mm



**Medical Console for Display, 2 drawers, height 340 mm**  
**Fixed Pole 35 mm Mount**

This display console allows you to perfectly fix, orient and adjust an LCD screen and provides additional storage space with a drawer.

It is covered with an anti-microbial agent offering hygiene and cleaning down to the last detail.

Its modern design has been specially designed for healthcare environments.

**Technical specifications:**

- \* Integrated cable channel
- \* Mounting on 35 mm fixed pole, fixing ring included.
- \* This medical console simply comes to be fixed on a pole whose diameter is 35 mm and then adjust to the desired and fixed height.
- \* Weight Supported by the console: 25 Kg
- \* Tube arm with tilting head for 340 mm screen height ( 50° down / 100° up)
- \* The head of this arm complies with the screen mounting standard: VESA MIS-D 75 mm and 100 mm.
- \* Internal sliding drawer (2) dimensions: 364 x 400 mm
- \* Compatible with multimedia terminals (TMM)
- \* Colour RAL 7024 (Graphite grey) and White
- \* All our medical arms are in conformity: CE, ROHS, Medical Grade, Regulations MDD 93/42 ECC.
- \* Warranty: 5 years

Note: This Console can also be installed on one of our medical columns or trolleys.

Do not hesitate to contact us if you have any questions about this product.

**Warranty: 5 years**

000.978.863

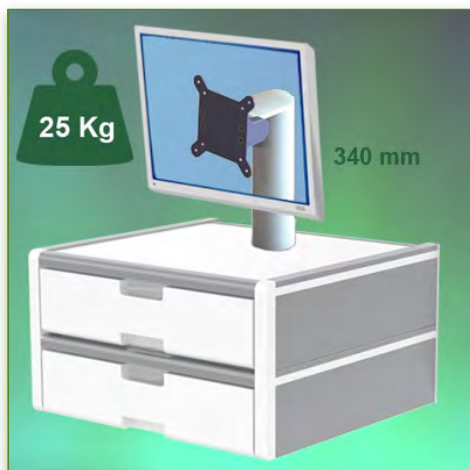
Graphite Grey and White

On Measure

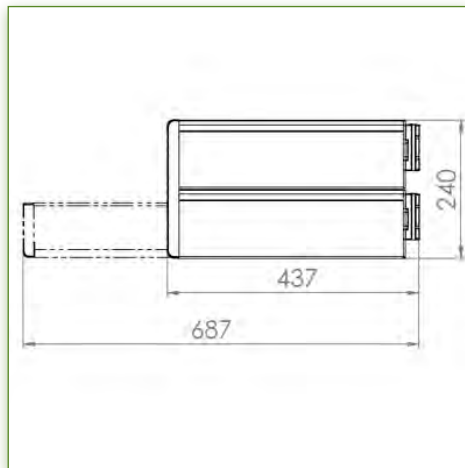
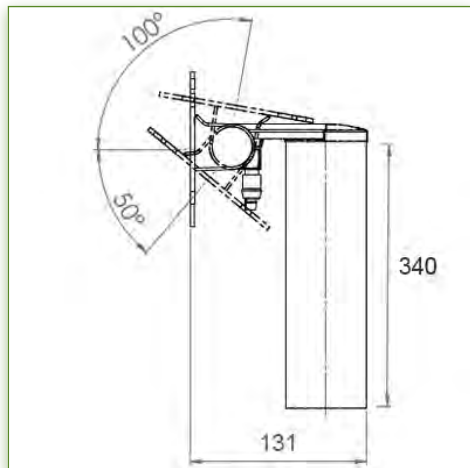
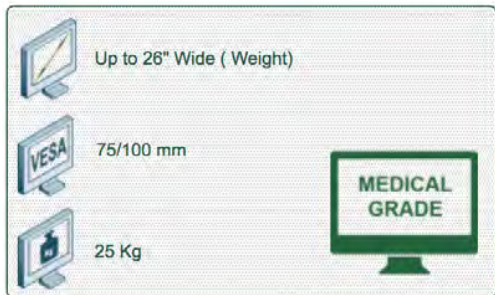
= Depending on the elements

978.863



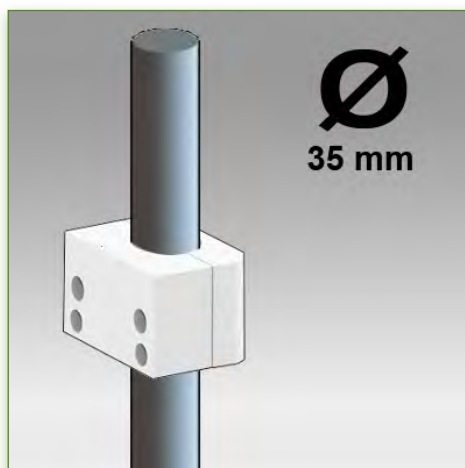
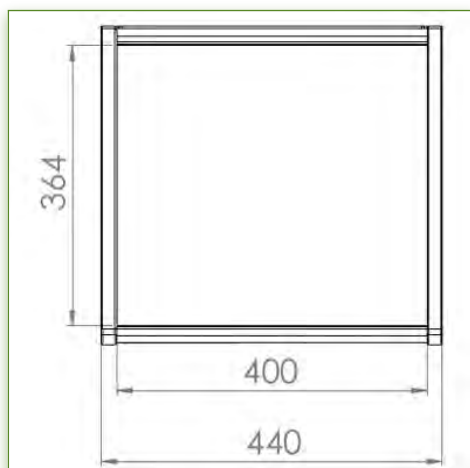


Display Compatibility: 26" Wide ( Weight)  
 Supported Weight: 25 Kg  
 VESA standard: 75 / 100 mm  
 Arm height: 340 mm



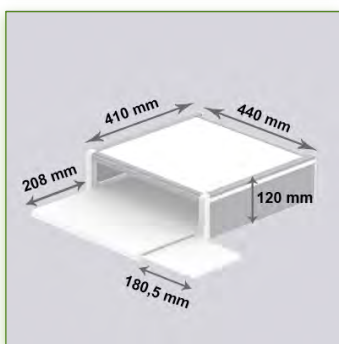
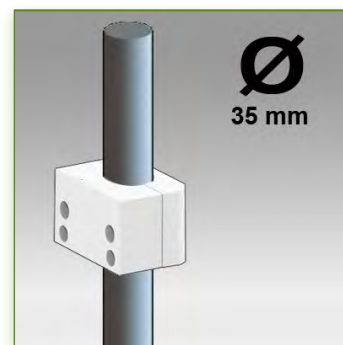
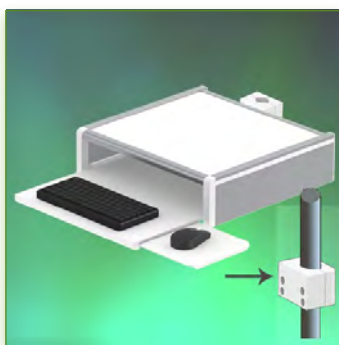
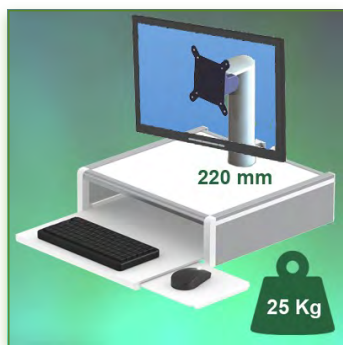
Do not hesitate to contact us if you have any questions about this product.

- Warranty: 5 years**
- 000.978.863**
- Graphite Grey and White**
- On Measure**
- = Depending on the elements**
- 978.863**

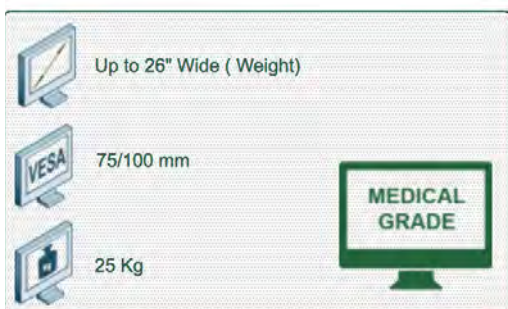


**Anti-bacterial properties:**

IT medical arms are now designed with Microban antibacterial protection, a revolutionary treatment that guarantees optimal hygiene. IT medical arms integrate Microban and other antibacterial agents into all medical products. It inhibits the growth of bacteria of all types. This is not a surface treatment. It is 100% in the totality of the product. It does not alter the physico-mechanical properties of the medical arm lift system. Simulations over 30 years show that 100% of the antibacterial properties are maintained. All medical articulated arms incorporate Microban. Microban is the world's leading provider of anti-bacterial solutions. It has been successfully applied for more than 35 years in a wide range of products used in the hospital, construction and food industries.



Display Compatibility: 26" Wide ( Weight)  
 Supported Weight: 25 Kg  
 VESA standard: 75 / 100 mm  
 Arm height: 220 mm



**Combo Medical Console for Display, height 220 mm**  
**Fixed Pole 35 mm Mount**

This monitor combo console allows you to perfectly fix, orient and adjust an LCD screen and provides additional storage space with an open drawer.

It is covered with an anti-microbial agent offering hygiene and cleaning down to the last detail.

Its modern design has been specially designed for healthcare environments.

**Technical specifications:**

- \* Integrated cable channel
- \* Mounting on 35 mm fixed pole, fixing ring included.
- \* This medical console simply comes to be fixed on a pole whose diameter is 35 mm and then adjust to the desired and fixed height.
- \* Weight Supported by the console: 25 Kg
- \* Tube arm with tilting head for the screen, 220 mm high ( 50° down / 100° up)
- \* The head of this arm complies with the screen mounting standard: VESA MIS-D 75 mm and 100 mm.
- \* Working area 440 x 412 mm
- \* Sliding mouse holder (right/left) with 180.5 x 208 mm usable area
- \* Keyboard holder with 259.5 x 208 mm usable area
- \* Compatible with multimedia terminals (TMM)
- \* Colour RAL 7024 (Graphite grey) and White
- \* All our medical arms are in conformity: CE, ROHS, Medical Grade, Regulations MDD 93/42 ECC.
- \* Warranty: 5 years

\* Note: This Console can also be installed on one of our medical columns or trolleys.

Do not hesitate to contact us if you have any questions about this product.

Warranty: 5 years

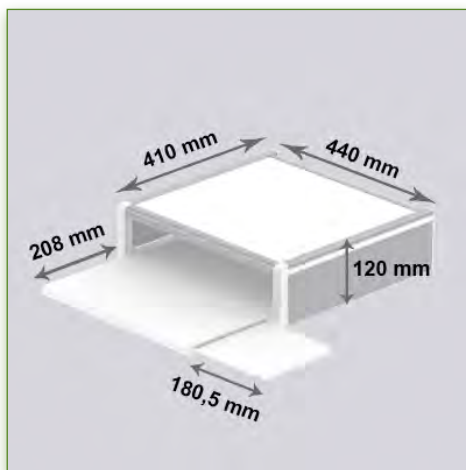
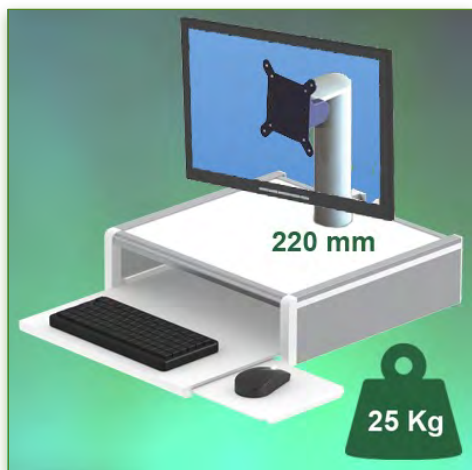
000.978.864

Graphite Grey and White

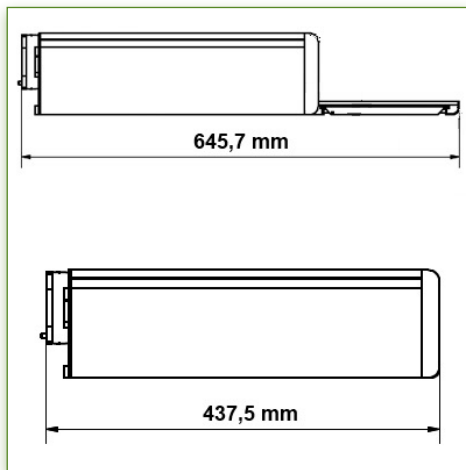
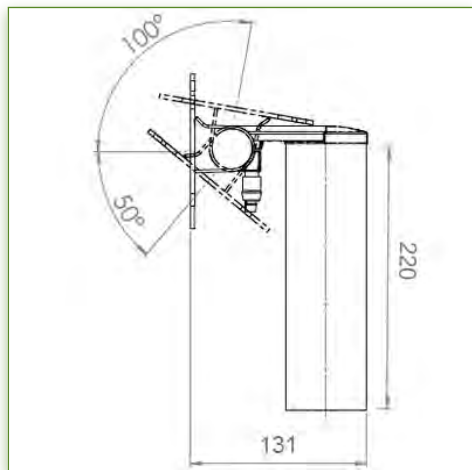
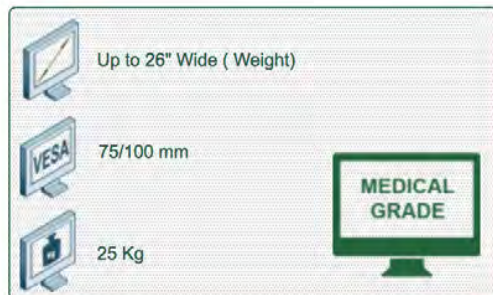
On Measure

= Depending on the elements

978.864



Display Compatibility: 26" Wide ( Weight)  
 Supported Weight: 25 Kg  
 VESA standard: 75 / 100 mm  
 Arm height: 220 mm



**Medical Grade**



Do not hesitate to contact us if you have any questions about this product.



Warranty: 5 years



000.978.864



Graphite Grey and White



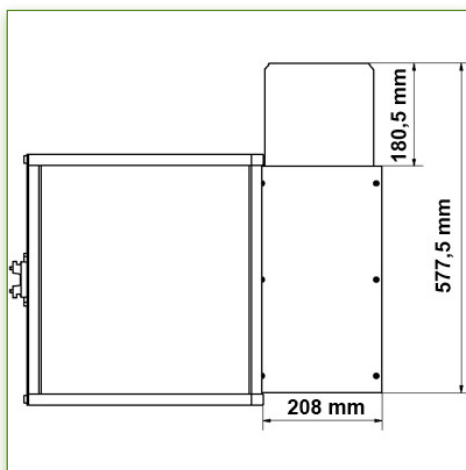
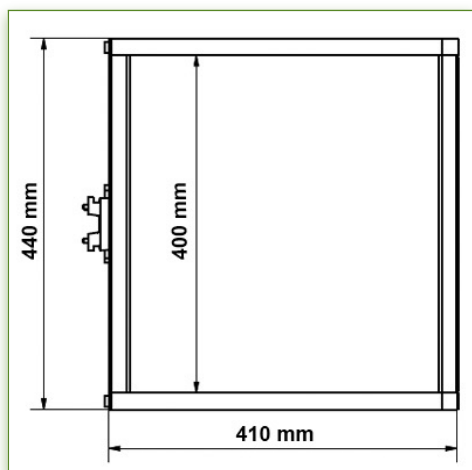
On Measure



= Depending on the elements



978.864

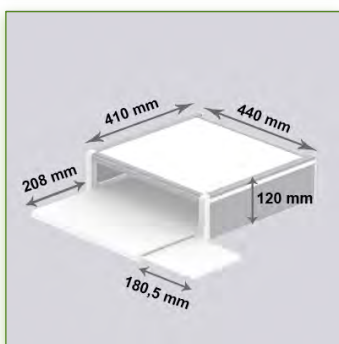
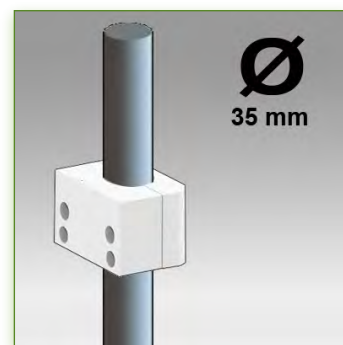
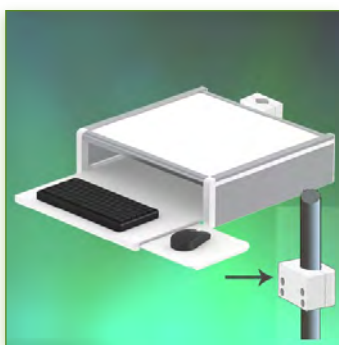
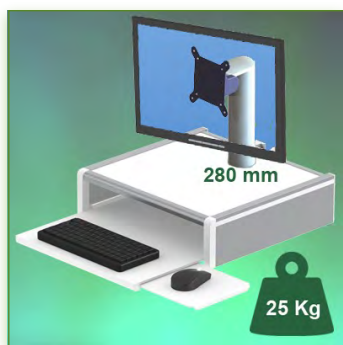


**Anti-bacterial properties:**

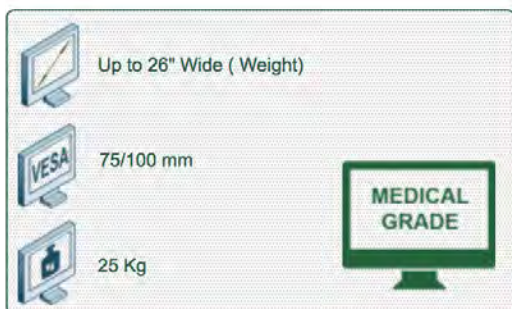
IT medical arms are now designed with Microban antibacterial protection, a revolutionary treatment that guarantees optimal hygiene. IT medical arms integrate Microban and other antibacterial agents into all medical products. It inhibits the growth of bacteria of all types. This is not a surface treatment.

It is 100% in the totality of the product. It does not alter the physico-mechanical properties of the medical arm lift system. Simulations over 30 years show that 100% of the antibacterial properties are maintained.

All medical articulated arms incorporate Microban. Microban is the world's leading provider of anti-bacterial solutions. It has been successfully applied for more than 35 years in a wide range of products used in the hospital, construction and food industries.



Display Compatibility: 26" Wide ( Weight)  
 Supported Weight: 25 Kg  
 VESA standard: 75 / 100 mm  
 Arm height: 280 mm



**Combo Medical Console for Display, height 280 mm**  
**Fixed Pole 35 mm Mount**

This monitor combo console allows you to perfectly fix, orient and adjust an LCD screen and provides additional storage space with an open drawer.

It is covered with an anti-microbial agent offering hygiene and cleaning down to the last detail.

Its modern design has been specially designed for healthcare environments.

**Technical specifications:**

- \* Integrated cable channel
- \* Mounting on 35 mm fixed pole, fixing ring included.
- \* This medical console simply comes to be fixed on a pole whose diameter is 35 mm and then adjust to the desired and fixed height.
- \* Weight Supported by the console: 25 Kg
- \* Tube arm with tilting head for the screen, 280 mm high ( 50° down / 100° up)
- \* The head of this arm complies with the screen mounting standard: VESA MIS-D 75 mm and 100 mm.
- \* Working area 440 x 412 mm
- \* Sliding mouse holder (right/left) with 180.5 x 208 mm usable area
- \* Keyboard holder with 259.5 x 208 mm usable area
- \* Compatible with multimedia terminals (TMM)
- \* Colour RAL 7024 (Graphite grey) and White
- \* All our medical arms are in conformity: CE, ROHS, Medical Grade, Regulations MDD 93/42 ECC.
- \* Warranty: 5 years

\* Note: This Console can also be installed on one of our medical columns or trolleys.

Do not hesitate to contact us if you have any questions about this product.

Warranty: 5 years

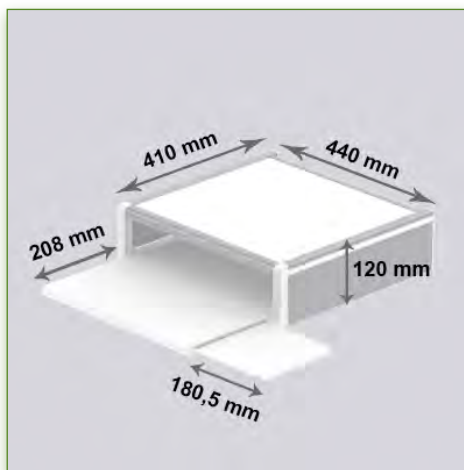
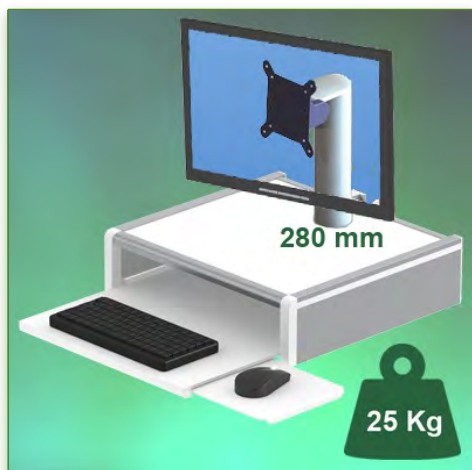
000.978.865

Graphite Grey and White

On Measure

= Depending on the elements

978.865



Display Compatibility: 26" Wide ( Weight)  
 Supported Weight: 25 Kg  
 VESA standard: 75 / 100 mm  
 Arm height: 280 mm



Up to 26" Wide ( Weight)



75/100 mm



25 Kg



**Medical Grade**



Do not hesitate to contact us if you have any questions about this product.



Warranty: 5 years



000.978.865



Graphite Grey and White



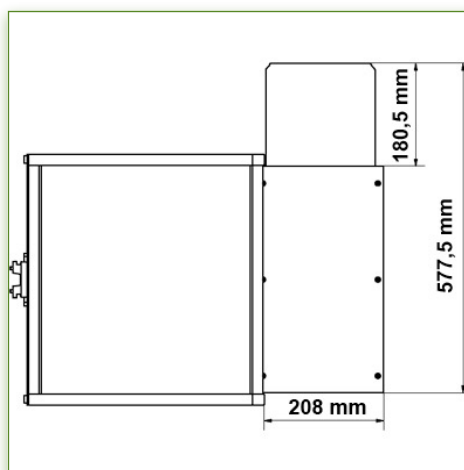
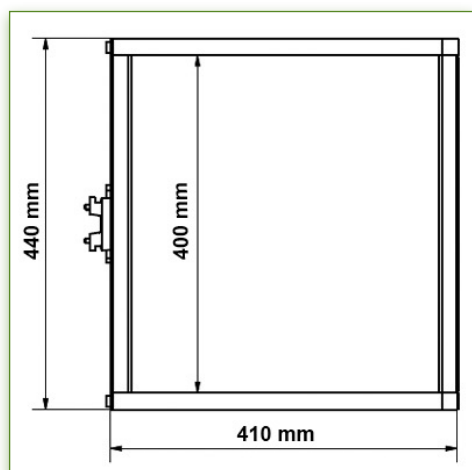
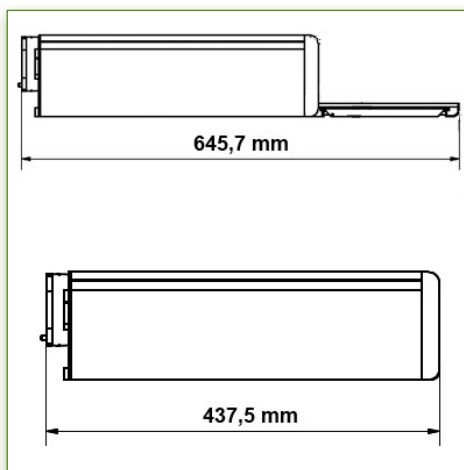
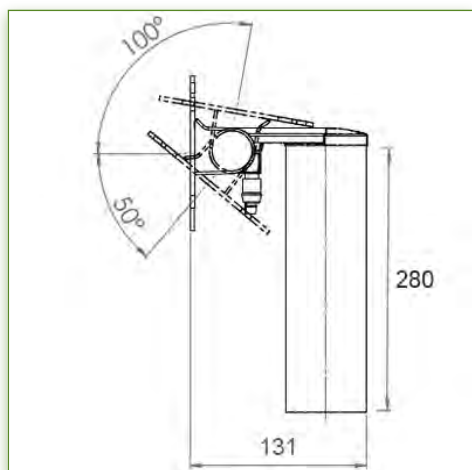
On Measure



= Depending on the elements

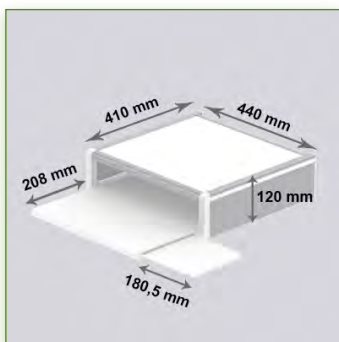
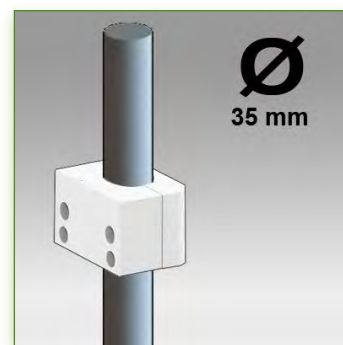
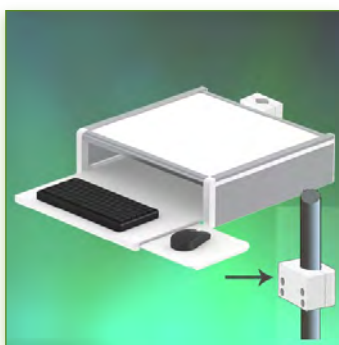
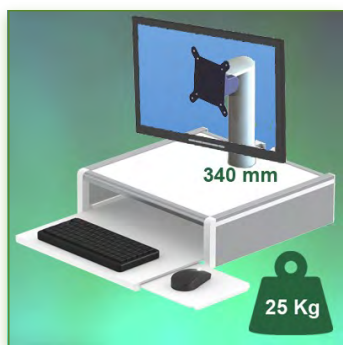


978.865

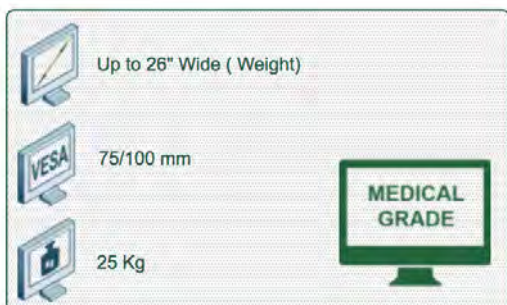


**Anti-bacterial properties:**

IT medical arms are now designed with Microban antibacterial protection, a revolutionary treatment that guarantees optimal hygiene. IT medical arms integrate Microban and other antibacterial agents into all medical products. It inhibits the growth of bacteria of all types. This is not a surface treatment. It is 100% in the totality of the product. It does not alter the physico-mechanical properties of the medical arm lift system. Simulations over 30 years show that 100% of the antibacterial properties are maintained. All medical articulated arms incorporate Microban. Microban is the world's leading provider of anti-bacterial solutions. It has been successfully applied for more than 35 years in a wide range of products used in the hospital, construction and food industries.



Display Compatibility: 26" Wide ( Weight)  
 Supported Weight: 25 Kg  
 VESA standard: 75 / 100 mm  
 Arm height: 340 mm



**Combo Medical Console for Display, height 340 mm**  
**Fixed Pole 35 mm Mount**

This monitor combo console allows you to perfectly fix, orient and adjust an LCD screen and provides additional storage space with an open drawer.

It is covered with an anti-microbial agent offering hygiene and cleaning down to the last detail.

Its modern design has been specially designed for healthcare environments.

**Technical specifications:**

- \* Integrated cable channel
- \* Mounting on 35 mm fixed pole, fixing ring included.
- \* This medical console simply comes to be fixed on a pole whose diameter is 35 mm and then adjust to the desired and fixed height.
- \* Weight Supported by the console: 25 Kg
- \* Tube arm with tilting head for the screen, 340 mm high ( 50° down / 100° up)
- \* The head of this arm complies with the screen mounting standard: VESA MIS-D 75 mm and 100 mm.
- \* Working area 440 x 412 mm
- \* Sliding mouse holder (right/left) with 180.5 x 208 mm usable area
- \* Keyboard holder with 259.5 x 208 mm usable area
- \* Compatible with multimedia terminals (TMM)
- \* Colour RAL 7024 (Graphite grey) and White
- \* All our medical arms are in conformity: CE, ROHS, Medical Grade, Regulations MDD 93/42 ECC.
- \* Warranty: 5 years

\* Note: This Console can also be installed on one of our medical columns or trolleys.

Do not hesitate to contact us if you have any questions about this product.

Warranty: 5 years

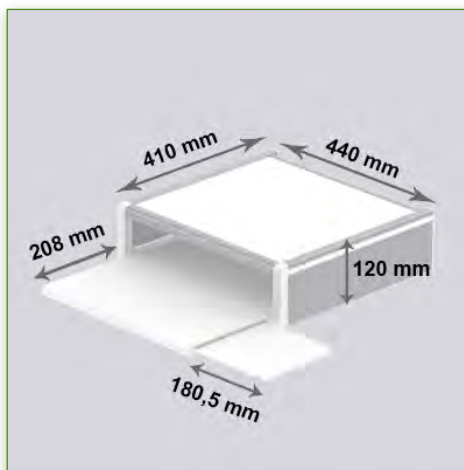
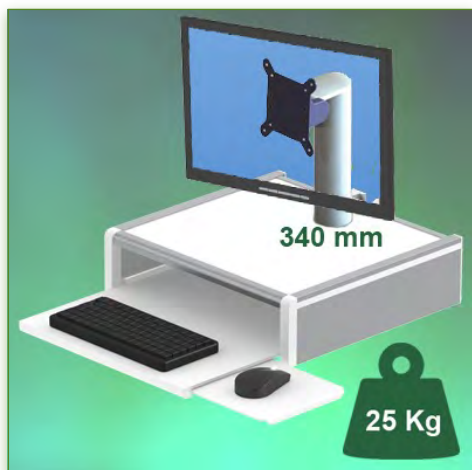
000.978.866

Graphite Grey and Whit

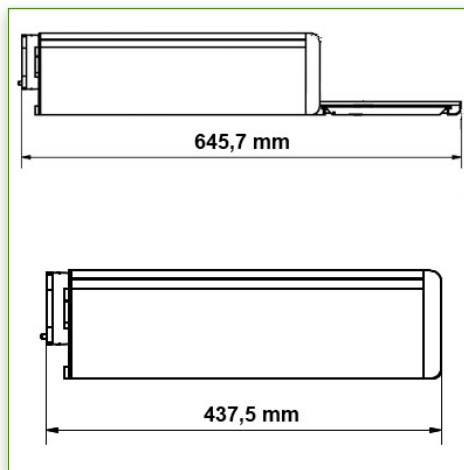
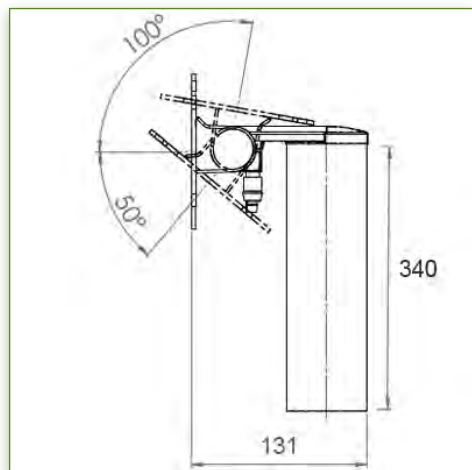
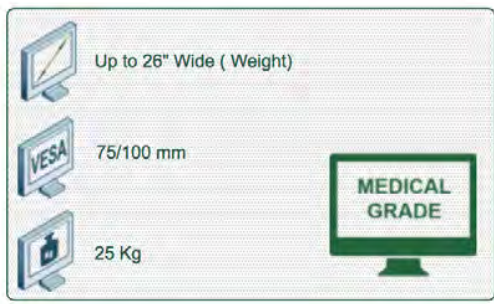
On Measure

= Depending on the elements

978.866



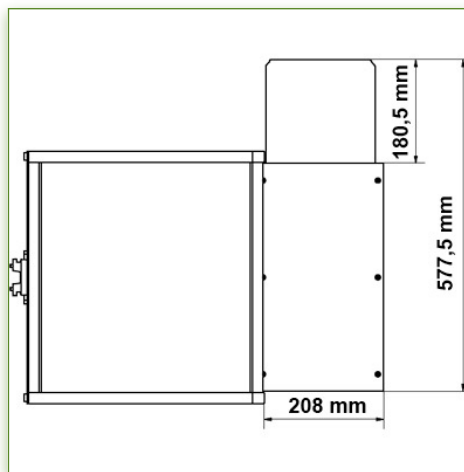
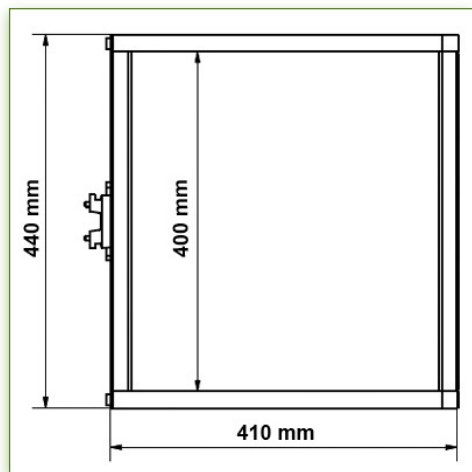
Display Compatibility: 26" Wide ( Weight)  
 Supported Weight: 25 Kg  
 VESA standard: 75 / 100 mm  
 Arm height: 340 mm



**Medical Grade**

Do not hesitate to contact us if you have any questions about this product.

- Warranty: 5 years**
- 000.978.866
- Graphite Grey and Whit
- On Measure
- = Depending on the elements
- 978.866



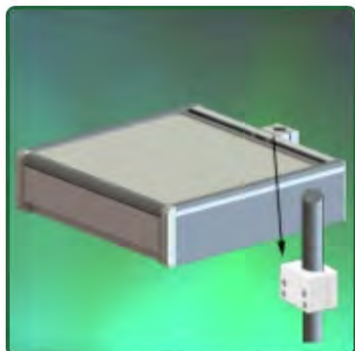
**Anti-bacterial properties:**

IT medical arms are now designed with Microban antibacterial protection, a revolutionary treatment that guarantees optimal hygiene. IT medical arms integrate Microban and other antibacterial agents into all medical products. It inhibits the growth of bacteria of all types. This is not a surface treatment.

It is 100% in the totality of the product. It does not alter the physico-mechanical properties of the medical arm lift system. Simulations over 30 years show that 100% of the antibacterial properties are maintained.

All medical articulated arms incorporate Microban. Microban is the world's leading provider of anti-bacterial solutions. It has been successfully applied for more than 35 years in a wide range of products used in the hospital, construction and food industries.

**Medical arms for display, 35 mm fixed pole mounting**  
**Optional Accessories**  
**OVERVIEW**



If you don't find  
 the right accessory for you,  
 do not hesitate to contact us,  
 we will help you  
 in your search

Single drawer  
 Mounting on Pole 35 mm  
 Part Number: 978.149

Din Rail 10 x 25 mm.  
 Length 300 mm.  
 Part Number: 999.150

Drawer with Keyboard Holder  
 Mounting on Pole 35 mm  
 Part Number: 978.151



Large Service Basket  
 Mounting on Pole 35 mm  
 Part Number: 978.154

Small Service Basket  
 Mounting on Pole 35 mm  
 Part Number: 978.155

Double cable hooks Mounting  
 on Pole 35 mm  
 Part Number: 978.156

Triple cable hooks, mounting  
 on Pole 35 mm  
 Part Number: 978.157



## Medical arms for display, 35 mm fixed pole mounting Optional Accessories OVERVIEW



CPU holder Adjustable  
130-170 mm  
mounting on Pole 35 mm

Part Number: 978.161



CPU holder Adjustable  
45-70 mm  
mounting on Pole 35 mm

Part Number: 978.158



CPU holder Adjustable  
60-100 mm  
mounting on Pole 35 mm

Part Number: 978.159



CPU holder Adjustable  
85-150 mm  
mounting on Pole 35 mm

Part Number: 978.160



CPU holder Adjustable  
170-215 mm  
mounting on Pole 35 mm

Part Number: 978.162



Universal Stand Adjustable  
35-57 mm  
mounting on Pole 35 mm

Part Number: 978.163



Universal Stand Adjustable  
48-63 mm  
mounting on Pole 35 mm

Part Number: 978.164



Power supply stand  
Mounting on Pole 35 mm

Part Number: 978.165

**Medical arms for display, 35 mm fixed pole mounting**  
**Optional Accessories**  
**OVERVIEW**



Electrical power supply box  
255 x 96 x 65 mm  
Mounting on Pole 35 mm  
Part Number: 978.166



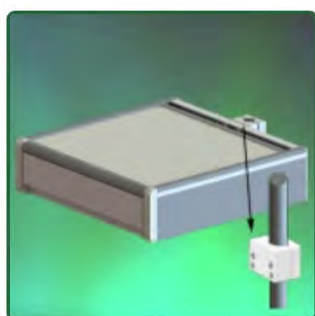
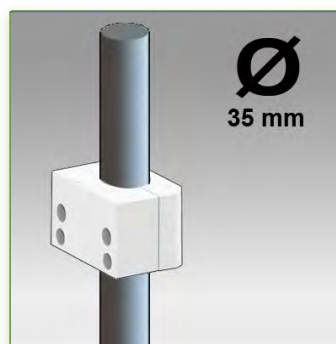
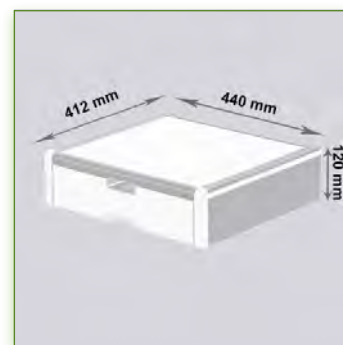
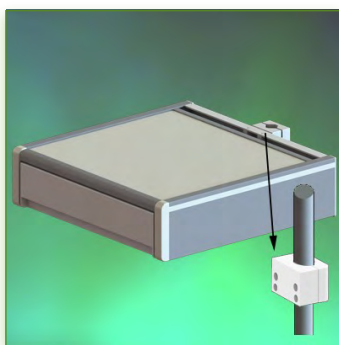
Electrical power supply box  
255 x 115 x 85 mm  
Mounting on Pole 35 mm  
Part Number: 978.167



Electrical power supply box  
255 x 165 x 85 mm  
Mounting on Pole 35 mm  
Part Number: 978.168



Holder for barcode hand  
shower  
Mounting on Pole 35 mm  
Part Number: 978.169



Single drawer  
Mounting on Pole 35 mm  
Part Number: 978.149

**Single Drawer 35 mm Fixed Pole Mount**

A work surface with additional storage space and a sliding drawer.

It is coated with an anti-microbial agent offering hygiene and cleaning down to the last detail. Its modern design has been specially designed for healthcare environments.

**Technical specifications:**

- \* Integrated cable channel
- \* Mounting on 35 mm fixed pole, fixing ring included.
- \* Weight Supported by the drawer: 25 Kg
- \* Working area 440 x 412 mm
- \* Internal sliding drawer dimensions: 364 x 400 mm
- \* Anodized, HPL and ABS (= anti-scratch, shock and scratch resistant disinfectants)
- \* Colour RAL 7024 (Graphite grey and white)
- \* All our medical arms are in conformity: CE, ROHS, Medical Grade, Regulations MDD 93/42 ECC.
- \* Warranty: 5 years

Do not hesitate to contact us if you have any questions about this product.

Warranty: 5 years

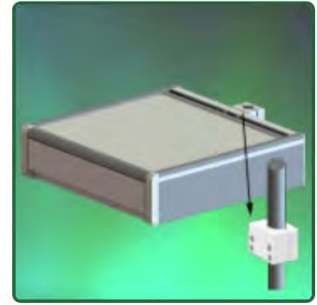
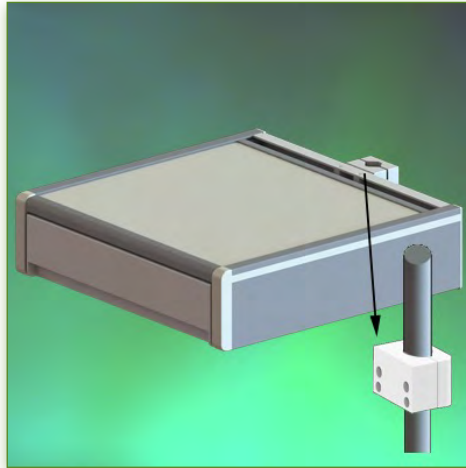
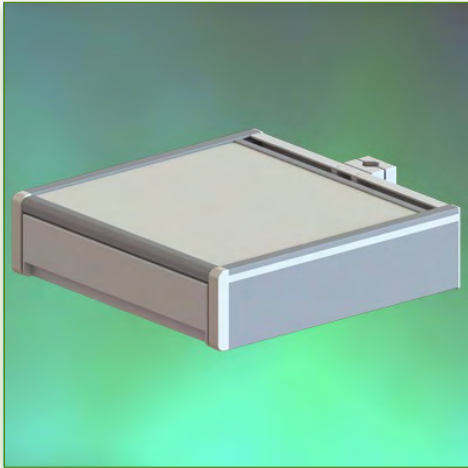
000.978.149

Graphite grey and white

On Measure

= Depending on the elements

978.149



Single drawer  
 Mounting on Pole 35 mm

Part Number: 978.149



**Medical Grade**



Do not hesitate to contact us if you have any questions about this product.



Warranty: 5 years



000.978.149



Graphite grey and white



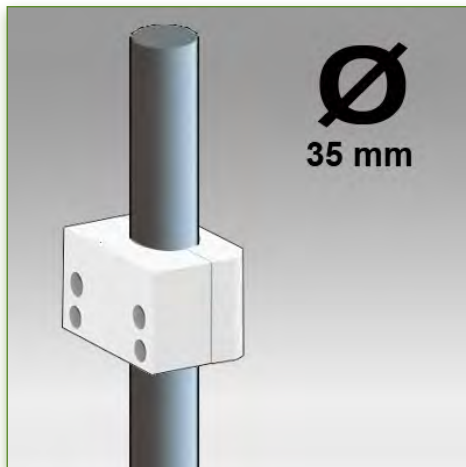
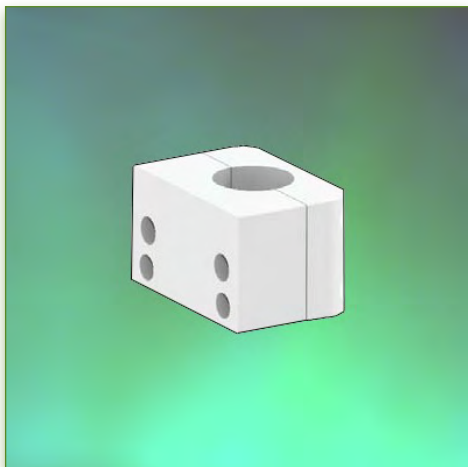
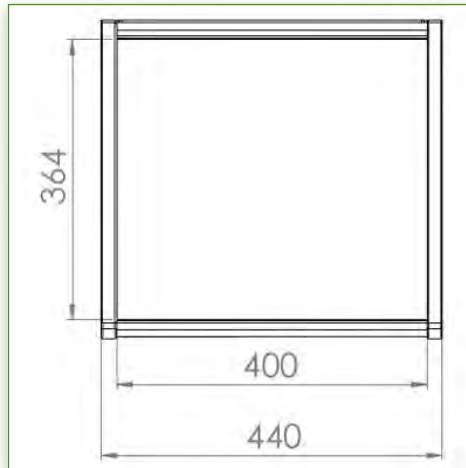
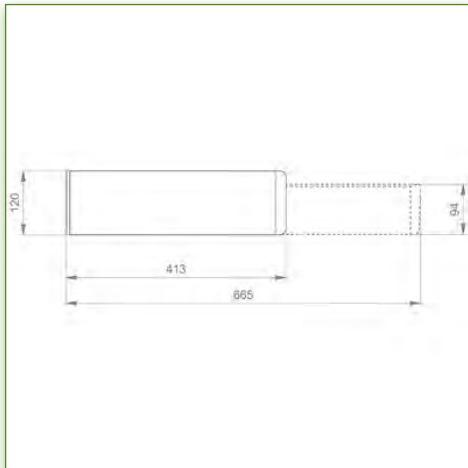
On Measure



= Depending on the elements



978.149



**Anti-bacterial properties:**

IT medical arms are now designed with Microban antibacterial protection, a revolutionary treatment that guarantees optimal hygiene. IT medical arms integrate Microban and other antibacterial agents into all medical products. It inhibits the growth of bacteria of all types. This is not a surface treatment.

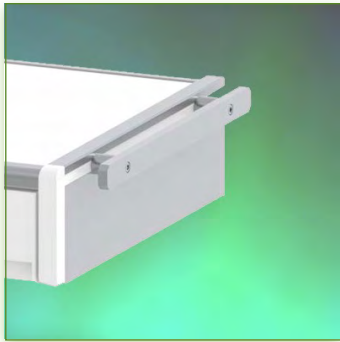
It is 100% in the totality of the product.

It does not alter the physico-mechanical properties of the medical arm lift system. Simulations over 30 years show that 100% of the antibacterial properties are maintained.

All medical articulated arms incorporate Microban. Microban is the world's leading provider of anti-bacterial solutions. It has been successfully applied for more than 35 years in a wide range of products used in the hospital, construction and food industries.



**Part Number: 999.150— Presentation**  
**Din Rail 10 x 25 mm. Length 300 mm. To mount on the sides of a console monitor or drawer.**



Din Rail 10 x 25 mm.  
Length 300 mm.

Part Number: 999.150



Do not hesitate to contact us if you have any questions about this product.



Warranty: 5 years



000.999.150



Graphite Grey and White



On Measure



= Depending on the elements



999.150

**Din Rail 10 x 25 mm. Length 300 mm. To mount on the sides of a console monitor or drawer.**

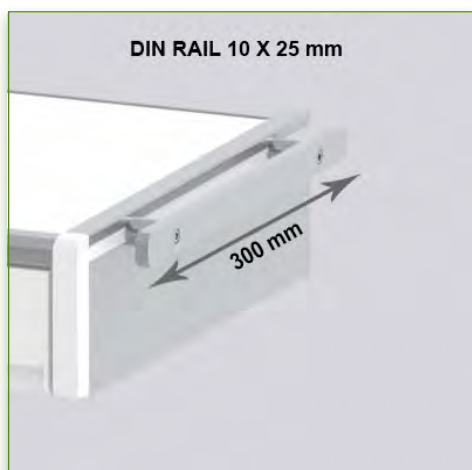
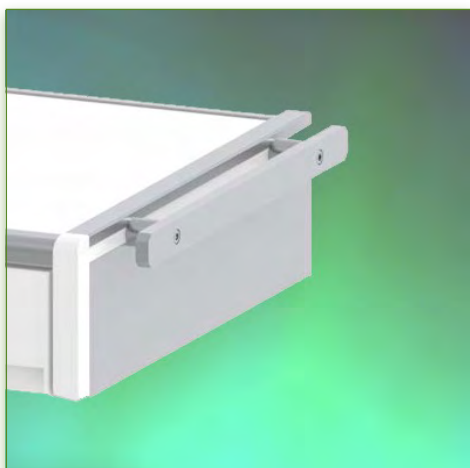
This Din Rail Horizontal adapter allows the fixing of all the elements having the Din Rail Horizontal interface and in particular the accessories.

Ideal complement when no Din Rails are available or absent. To mount on the sides of a console screen or drawer.

It is coated with an anti-microbial agent offering hygiene and cleaning down to the last detail. Its modern design has been specially designed for healthcare environments.

**Technical specifications:**

- \* Length 300 mm
- \* Mounting on the sides of a drawer or console screen left or right
- \* Colour RAL 7024 (Graphite grey)
- \* All our medical arms are in conformity:  
CE, ROHS, Medical Grade, Regulations MDD 93/42 ECC.
- \* Warranty: 5 years



Din Rail 10 x 25 mm.  
Length 300 mm.

Part Number: 999.150



**Medical Grade**



Do not hesitate to contact us if you have any questions about this product.



Warranty: 5 years



000.999.150



Graphite Grey and White



On Measure



= Depending on the elements



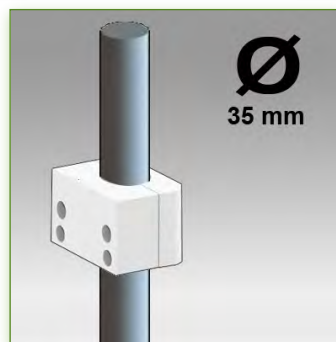
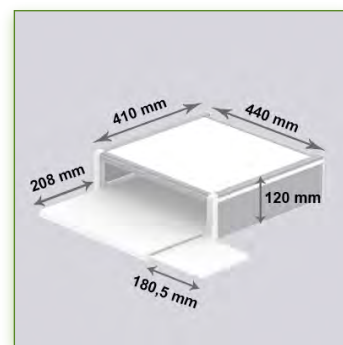
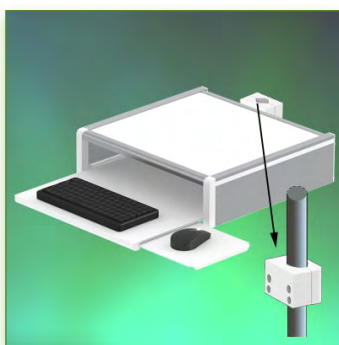
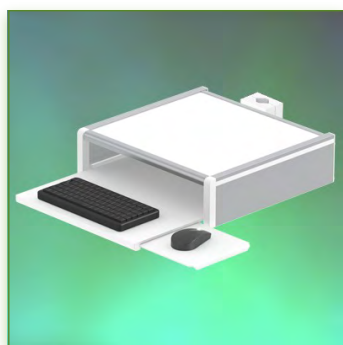
999.150

**Anti-bacterial properties:**

IT medical arms are now designed with Microban antibacterial protection, a revolutionary treatment that guarantees optimal hygiene. IT medical arms integrate Microban and other antibacterial agents into all medical products. It inhibits the growth of bacteria of all types. This is not a surface treatment.

It is 100% in the totality of the product. It does not alter the physico-mechanical properties of the medical arm lift system. Simulations over 30 years show that 100% of the antibacterial properties are maintained.

All medical articulated arms incorporate Microban. Microban is the world's leading provider of anti-bacterial solutions. It has been successfully applied for more than 35 years in a wide range of products used in the hospital, construction and food industries.



Drawer with Keyboard Holder  
 Mounting on Pole 35 mm

Part Number: 978.151

**Drawer with Keyboard Holder 35 mm Fixed Pole Mount**

A work surface with additional storage space with integrated keyboard and mouse support.

It is coated with an anti-microbial agent offering hygiene and cleaning down to the last detail. Its modern design has been specially designed for healthcare environments.

**Technical Specifications:**

- \* Mounting on 35 mm fixed pole, fixing ring included.
- \* Weight Supported by the drawer: 25 Kg \* Working area 440 x 412 mm
- \* Sliding mouse holder (right/left) with a usable mouse surface of 180.5 x 208 mm
- \* Keyboard holder with 259.5 x 208 mm usable area
- \* Anodized, HPL and ABS (= anti-scratch, shock and scratch resistant disinfectants)
- \* Colour RAL 7024 (Graphite grey and white)
- \* All our medical arms are in conformity: CE, ROHS, Medical Grade, Regulations MDD 93/42 ECC.
- \* Warranty: 5 years

Do not hesitate to contact us if you have any questions about this product.

Warranty: 5 years

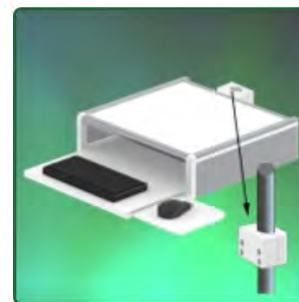
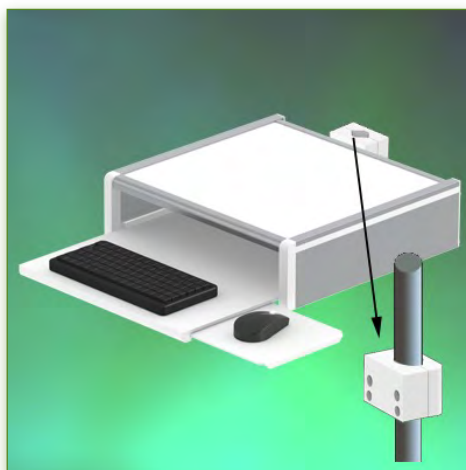
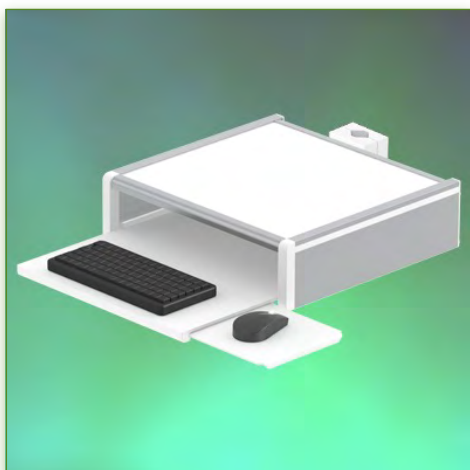
000.978.151

Graphite grey and white

On Measure

= Depending on the elements

978.151



Drawer with Keyboard Holder  
 Mounting on Pole 35 mm  
 Part Number: 978.151



Medical Grade



Do not hesitate to contact us if you have any questions about this product.



Warranty: 5 years



000.978.151



Graphite grey and white



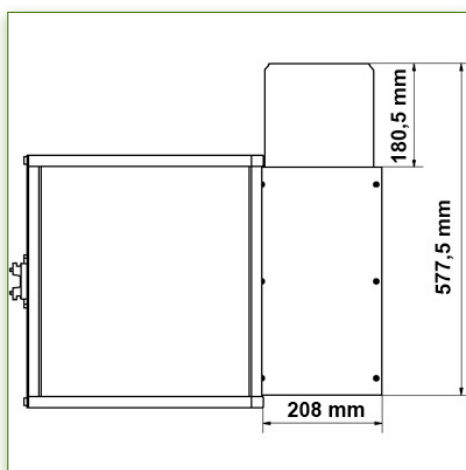
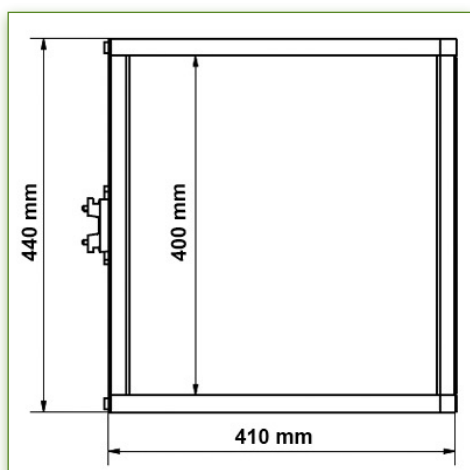
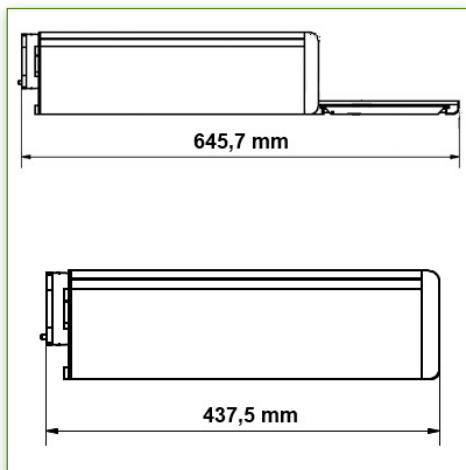
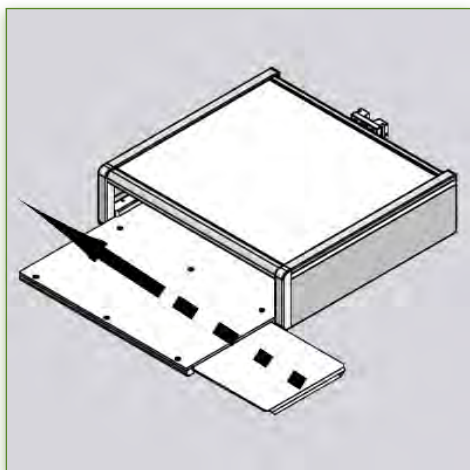
On Measure



= Depending on the elements



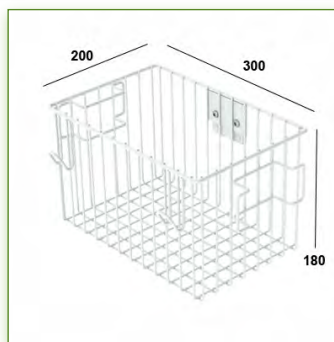
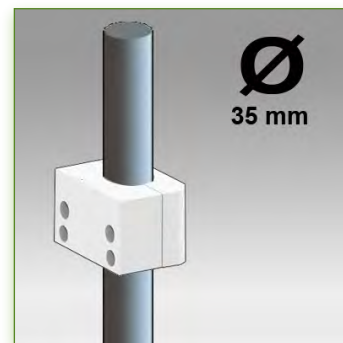
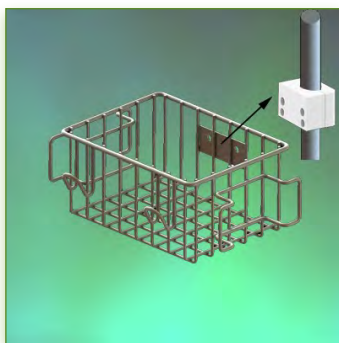
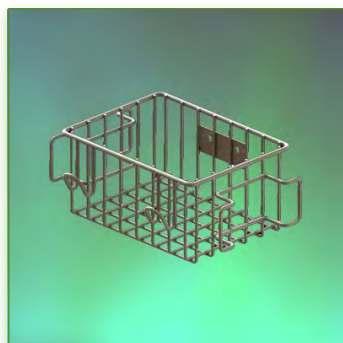
978.151



**Anti-bacterial properties:**

IT medical arms are now designed with Microban antibacterial protection, a revolutionary treatment that guarantees optimal hygiene. IT medical arms integrate Microban and other antibacterial agents into all medical products. It inhibits the growth of bacteria of all types. This is not a surface treatment. It is 100% in the totality of the product. It does not alter the physico-mechanical properties of the medical arm lift system. Simulations over 30 years show that 100% of the antibacterial properties are maintained. All medical articulated arms incorporate Microban. Microban is the world's leading provider of anti-bacterial solutions. It has been successfully applied for more than 35 years in a wide range of products used in the hospital, construction and food industries.





Large Service Basket  
Mounting on Pole 35 mm

Part Number: 978.154

### Large Service Basket 200 x 300 x 180 mm Fixed Pole Mounting 35 mm


Large service basket in anodised aluminium.

Its open structure allows direct access to its contents.

It is coated with an anti-microbial agent offering hygiene and cleaning down to the last detail. Its modern design has been specially designed for healthcare environments.

#### Technical specifications:

- \* Mounting on 35 mm fixed pole, fixing ring included.
- \* Dimensions: 180 x 300 x 200 mm
- \* Colour Anodised aluminium
- \* All our medical arms are in conformity:  
CE, ROHS, Medical Grade, Regulations MDD 93/42 ECC.
- \* Warranty: 5 years

 Do not hesitate to contact us if you have any questions about this product.

 Warranty: 5 years

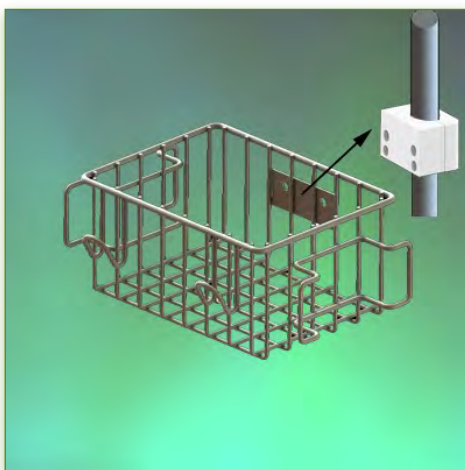
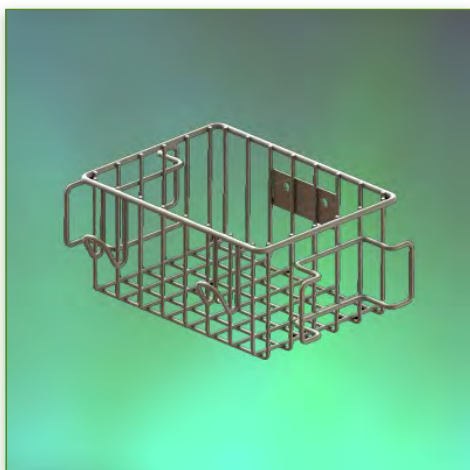
 000.978.154

 Anodised aluminium

 On Measure

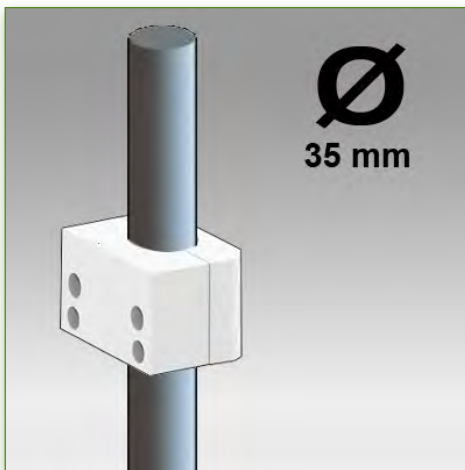
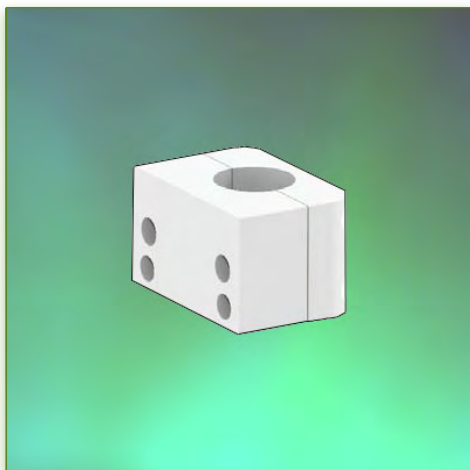
 = Depending on the elements

 978.154



Large Service Basket  
Mounting on Pole 35 mm

Part Number: 978.154



Medical Grade



Do not hesitate to contact us if you have any questions about this product.



Warranty: 5 years



000.978.154



Anodised aluminium



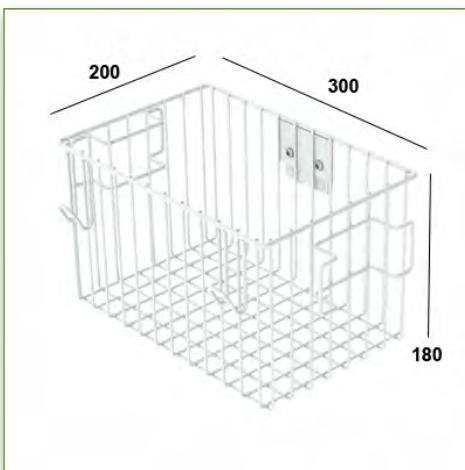
On Measure



= Depending on the elements



978.154

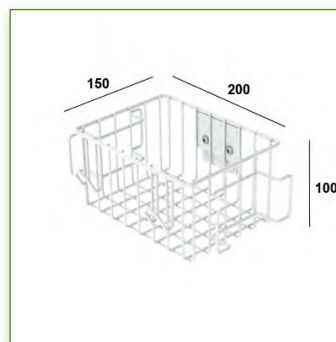
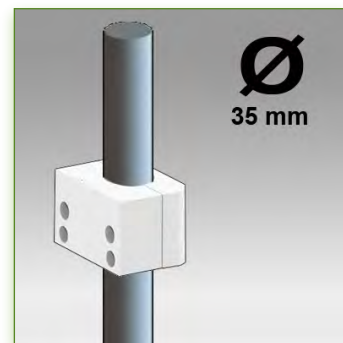
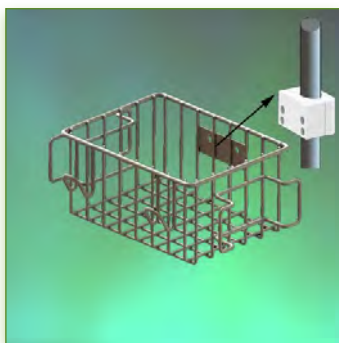


**Anti-bacterial properties:**

IT medical arms are now designed with Microban antibacterial protection, a revolutionary treatment that guarantees optimal hygiene. IT medical arms integrate Microban and other antibacterial agents into all medical products. It inhibits the growth of bacteria of all types. This is not a surface treatment.

It is 100% in the totality of the product. It does not alter the physico-mechanical properties of the medical arm lift system. Simulations over 30 years show that 100% of the antibacterial properties are maintained.

All medical articulated arms incorporate Microban. Microban is the world's leading provider of anti-bacterial solutions. It has been successfully applied for more than 35 years in a wide range of products used in the hospital, construction and food industries.



Small Service Basket  
Mounting on Pole 35 mm  
Part Number: 978.155

**Small service basket 100 x 150 x 200 mm on 35 mm fixed pole**

Small service basket in anodized aluminium.

Its open structure allows direct access to its contents.

It is coated with an anti-microbial agent offering hygiene and cleaning down to the last detail. Its modern design has been specially designed for healthcare environments.

**Technical specifications:**

- \* Mounting on 35 mm fixed pole, fixing ring included.
- \* Dimensions: 100 x 150 x 200 mm
- \* Colour Anodised aluminium
- \* All our medical arms are in conformity: CE, ROHS, Medical Grade, Regulations MDD 93/42 ECC.
- \* Warranty: 5 years

Do not hesitate to contact us if you have any questions about this product.

Warranty: 5 years

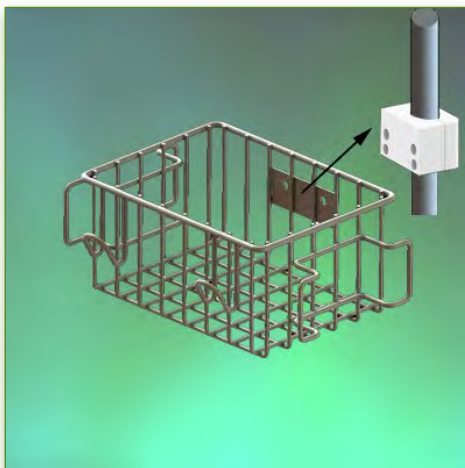
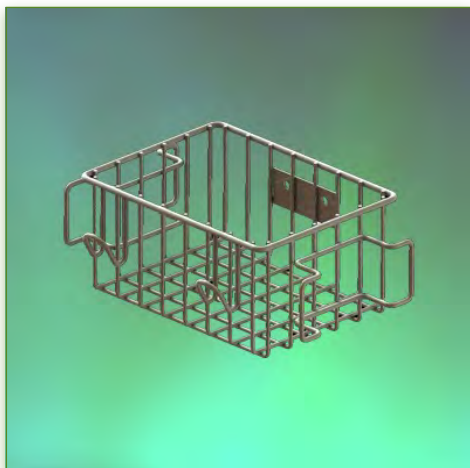
000.978.155

Anodised aluminium

On Measure

= Depending on the elements

978.155

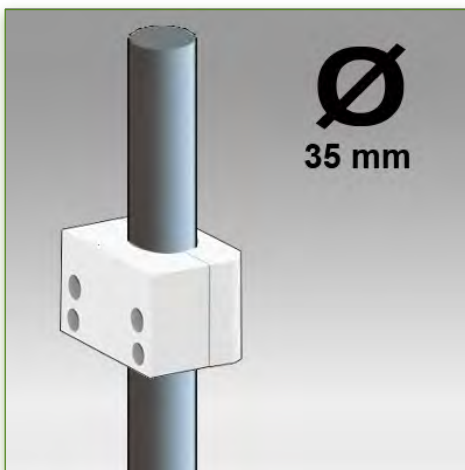
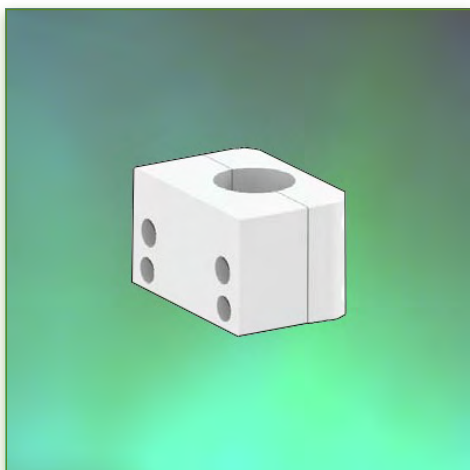


Small Service Basket  
Mounting on Pole 35 mm

Part Number: 978.155



Medical Grade



Do not hesitate to contact us if you have any questions about this product.



Warranty: 5 years



000.978.155



Anodised aluminium



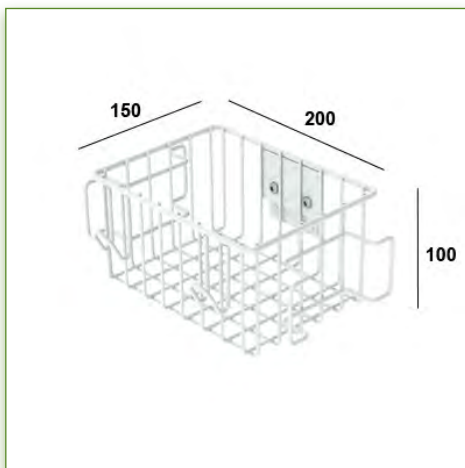
On Measure



= Depending on the elements



978.155



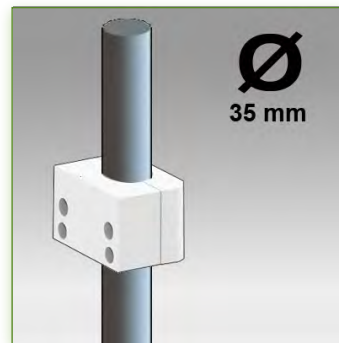
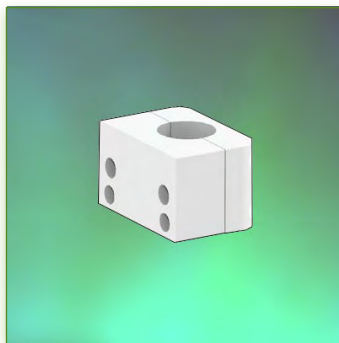
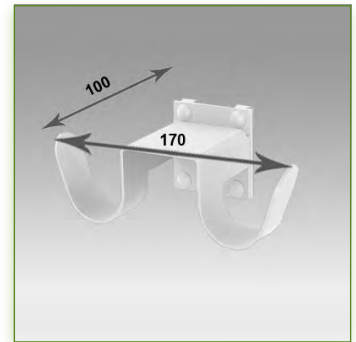
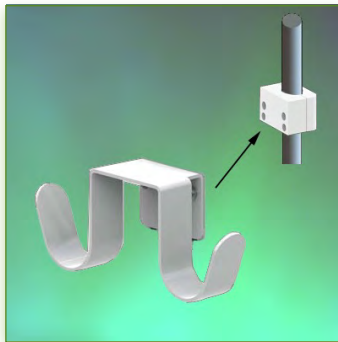
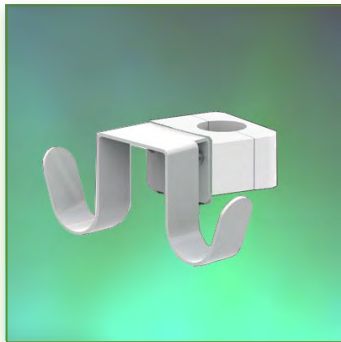
**Anti-bacterial properties:**

IT medical arms are now designed with Microban antibacterial protection, a revolutionary treatment that guarantees optimal hygiene. IT medical arms integrate Microban and other antibacterial agents into all medical products. It inhibits the growth of bacteria of all types. This is not a surface treatment.

It is 100% in the totality of the product.

It does not alter the physico-mechanical properties of the medical arm lift system. Simulations over 30 years show that 100% of the antibacterial properties are maintained.

All medical articulated arms incorporate Microban. Microban is the world's leading provider of anti-bacterial solutions. It has been successfully applied for more than 35 years in a wide range of products used in the hospital, construction and food industries.



Double cable hooks Mounting on Pole 35 mm

Part Number: 978.156

**Double cable hooks 35 mm fixed pole mounting**

This cable hook with its 35 mm pole mounting interface is the ideal complement when certain cables that are too long have to be suspended.

It is coated with an anti-microbial agent offering hygiene and cleaning down to the last detail. Its modern design has been specially designed for healthcare environments.

**Technical specifications:**

- \* Mounting on 35 mm fixed pole, fixing ring included.
- \* Hook for cable with two pins
- \* Length 170 mm
- \* Colour RAL 7024 (Graphite grey)
- \* All our medical arms are in conformity: CE, ROHS, Medical Grade, Regulations MDD 93/42 ECC.
- \* Warranty: 5 years

Do not hesitate to contact us if you have any questions about this product.

Warranty: 5 years

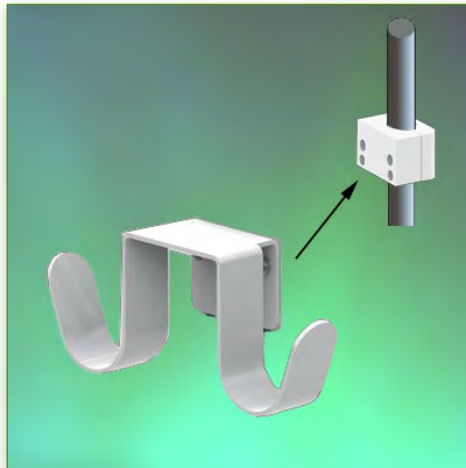
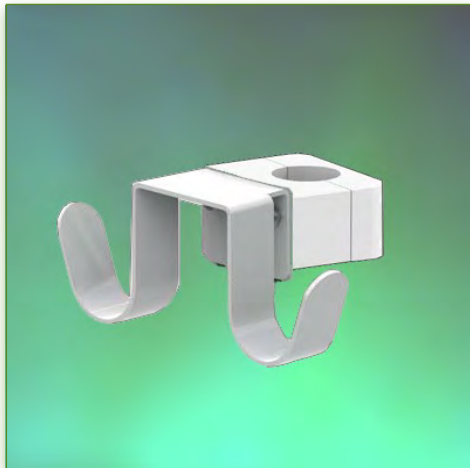
000.978.156

Graphite grey

On Measure

= Depending on the elements

978.156

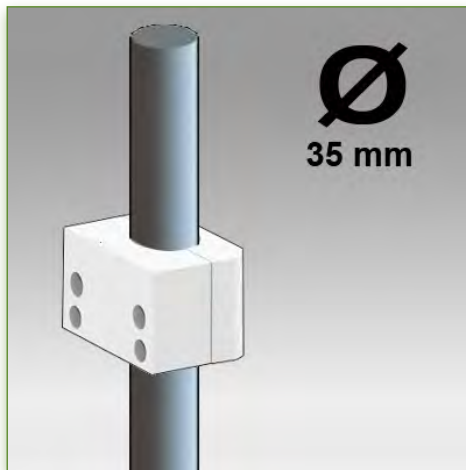
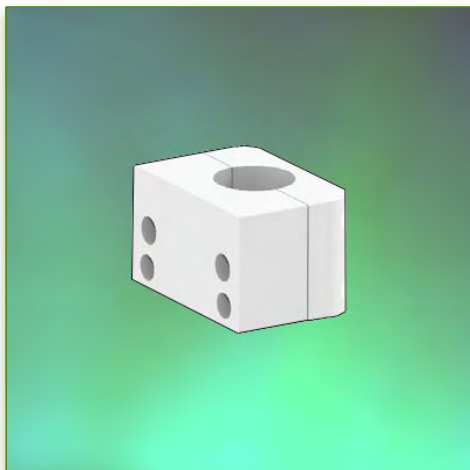


Double cable hooks Mounting on Pole 35 mm

Part Number: 978.156



Medical Grade



Do not hesitate to contact us if you have any questions about this product.



Warranty: 5 years



000.978.156



Graphite grey



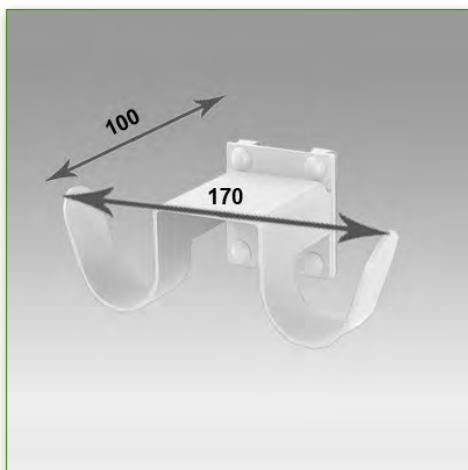
On Measure



= Depending on the elements

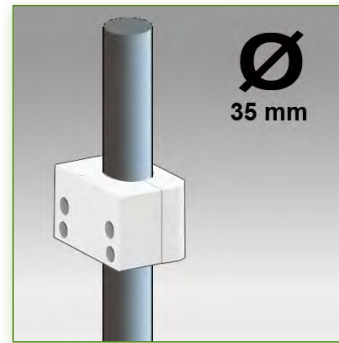
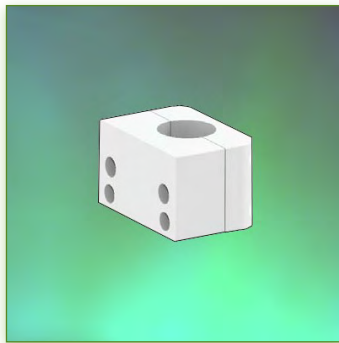
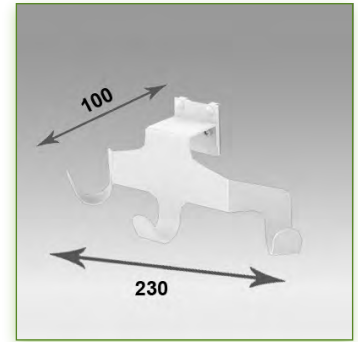
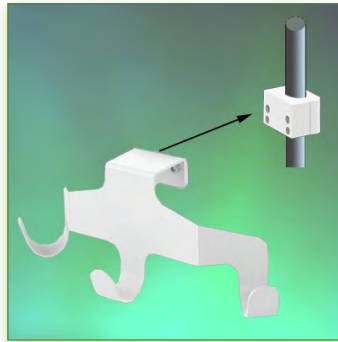


978.156



**Anti-bacterial properties:**

IT medical arms are now designed with Microban antibacterial protection, a revolutionary treatment that guarantees optimal hygiene. IT medical arms integrate Microban and other antibacterial agents into all medical products. It inhibits the growth of bacteria of all types. This is not a surface treatment. It is 100% in the totality of the product. It does not alter the physico-mechanical properties of the medical arm lift system. Simulations over 30 years show that 100% of the antibacterial properties are maintained. All medical articulated arms incorporate Microban. Microban is the world's leading provider of anti-bacterial solutions. It has been successfully applied for more than 35 years in a wide range of products used in the hospital, construction and food industries.



Triple cable hooks, mounting on Pole 35 mm  
 Part Number: 978.157

Do not hesitate to contact us if you have any questions about this product.

Warranty: 5 years

000.978.157

Graphite grey

On Measure

= Depending on the elements

978.157

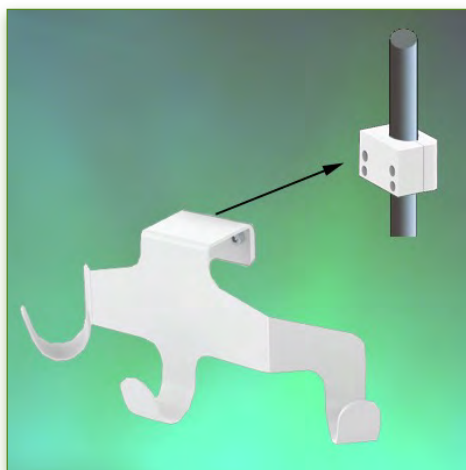
### Triple Cable Hooks 35 mm Fixed Pole Mounting

This cable hook with its 35 mm fixed pole mounting interface is the ideal complement when certain cables that are too long have to be suspended.

It is coated with an anti-microbial agent offering hygiene and cleaning down to the last detail. Its modern design has been specially designed for healthcare environments.

#### Technical specifications:

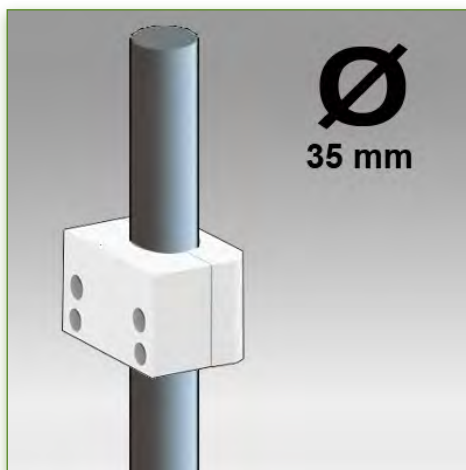
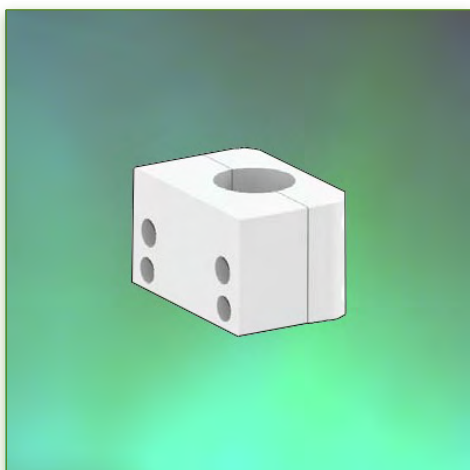
- \* Mounting on 35 mm fixed pole, fixing ring included.
- \* Hook for cable with three pins
- \* Length 230 mm
- \* Colour RAL 7024 (Graphite grey)
- \* All our medical arms are in conformity: CE, ROHS, Medical Grade, Regulations MDD 93/42 ECC.
- \* Warranty: 5 years



Triple cable hooks, mounting on Pole 35 mm  
 Part Number: 978.157



**Medical Grade**



Do not hesitate to contact us if you have any questions about this product.



Warranty: 5 years



000.978.157



Graphite grey



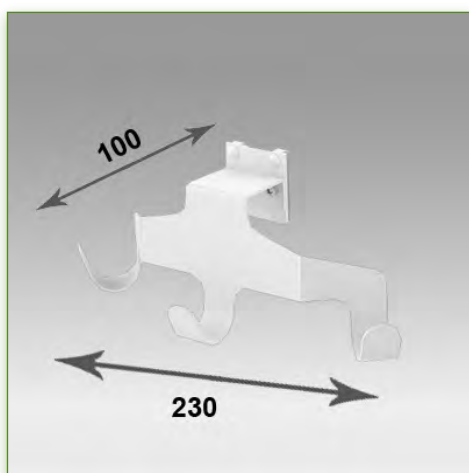
On Measure



= Depending on the elements



978.157



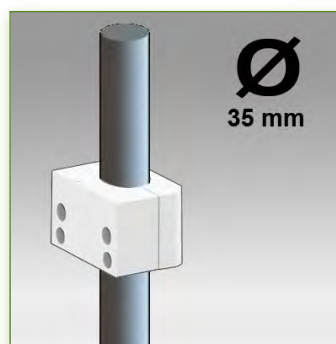
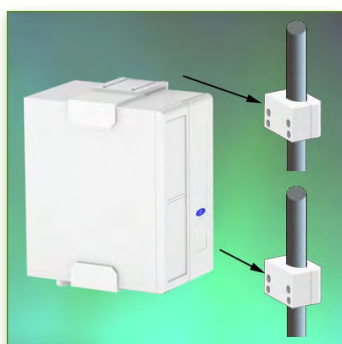
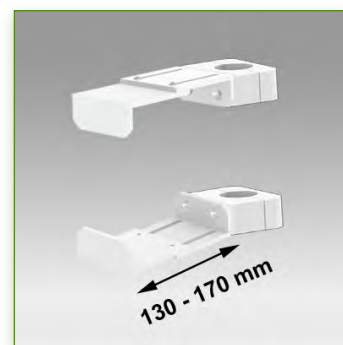
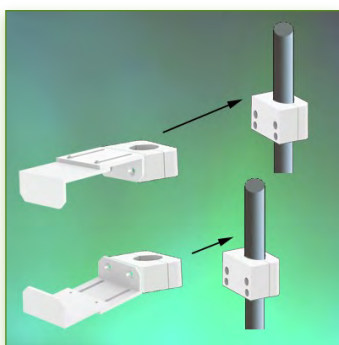
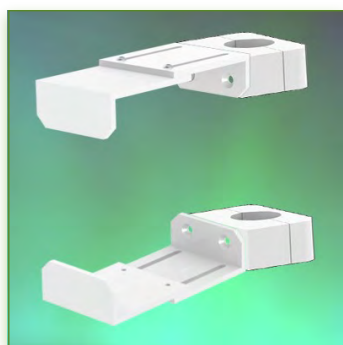
**Anti-bacterial properties:**

IT medical arms are now designed with Microban antibacterial protection, a revolutionary treatment that guarantees optimal hygiene. IT medical arms integrate Microban and other antibacterial agents into all medical products. It inhibits the growth of bacteria of all types. This is not a surface treatment.

It is 100% in the totality of the product. It does not alter the physico-mechanical properties of the medical arm lift system. Simulations over 30 years show that 100% of the antibacterial properties are maintained.

All medical articulated arms incorporate Microban. Microban is the world's leading provider of anti-bacterial solutions. It has been successfully applied for more than 35 years in a wide range of products used in the hospital, construction and food industries.





CPU holder Adjustable  
 130-170 mm  
 mounting on Pole 35 mm

Part Number: 978.161

**Adjustable CPU holder 130-170 mm Mounting on 35 mm Fixed Pole**

This CPU support is adjustable in width and height and is suitable for the majority of CPU's on the market.

It is coated with an anti-microbial agent offering hygiene and cleaning down to the last detail. Its modern design has been specially designed for healthcare environments.

**Technical specifications:**

- \* Mounting on 35 mm fixed pole, fixing ring included.
- \* Height adjustable
- \* Adjustable width from 130 to 170 mm
- \* Colour RAL 7024 (Graphite grey)
- \* All our medical arms are in conformity: CE, ROHS, Medical Grade, Regulations MDD 93/42 ECC.
- \* Warranty: 5 years

Do not hesitate to contact us if you have any questions about this product.

**Warranty: 5 years**

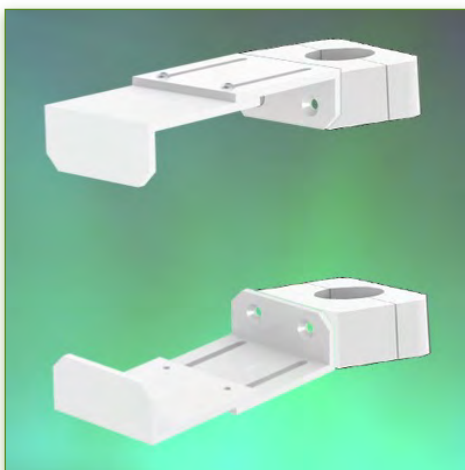
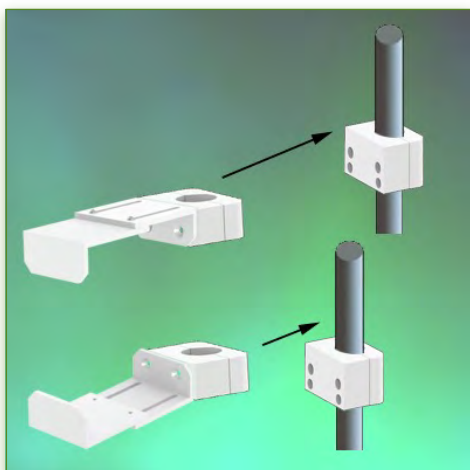
000.978.161

Graphite grey

On Measure

= Depending on the elements

978.161

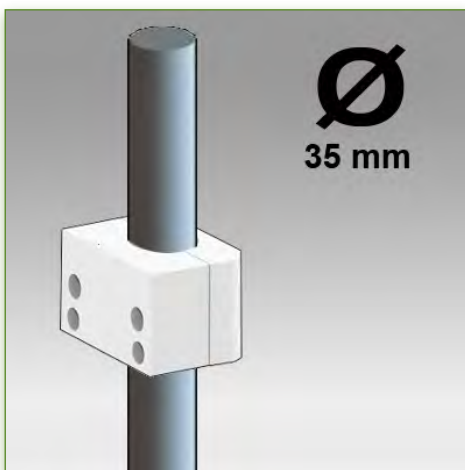
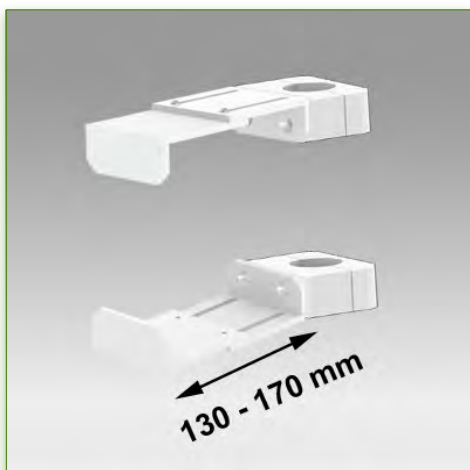


CPU holder Adjustable  
130-170 mm  
mounting on Pole 35 mm

Part Number: 978.161



Medical Grade



Do not hesitate to contact us if you have any questions about this product.



Warranty: 5 years



000.978.161



Graphite grey



On Measure



= Depending on the elements



978.161



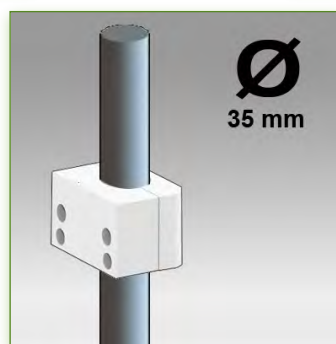
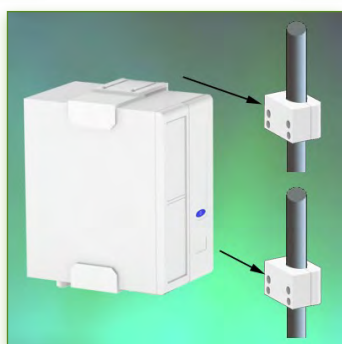
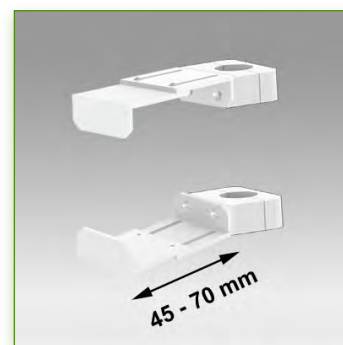
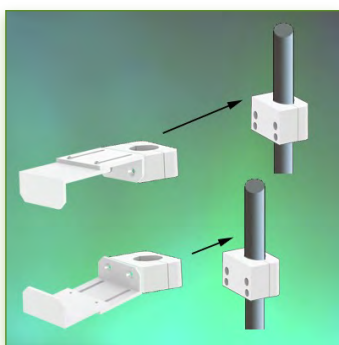
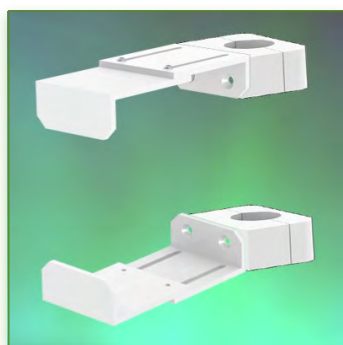
**Anti-bacterial properties:**

IT medical arms are now designed with Microban antibacterial protection, a revolutionary treatment that guarantees optimal hygiene. IT medical arms integrate Microban and other antibacterial agents into all medical products. It inhibits the growth of bacteria of all types. This is not a surface treatment.

It is 100% in the totality of the product.

It does not alter the physico-mechanical properties of the medical arm lift system. Simulations over 30 years show that 100% of the antibacterial properties are maintained.

All medical articulated arms incorporate Microban. Microban is the world's leading provider of anti-bacterial solutions. It has been successfully applied for more than 35 years in a wide range of products used in the hospital, construction and food industries.



CPU holder Adjustable  
 45-70 mm  
 mounting on Pole 35 mm  
 Part Number: 978.158

**Adjustable CPU holder 45-70 mm Mounting on 35 mm Fixed Pole**

This CPU support is adjustable in width and height and is suitable for the majority of CPU's on the market.

It is coated with an anti-microbial agent offering hygiene and cleaning down to the last detail. Its modern design has been specially designed for healthcare environments.

**Technical specifications:**

- \* Mounting on 35 mm fixed pole, fixing ring included.
- \* Height adjustable
- \* Adjustable width from 45 to 70 mm
- \* Colour RAL 7024 (Graphite grey)
- \* All our medical arms are in conformity: CE, ROHS, Medical Grade, Regulations MDD 93/42 ECC.
- \* Warranty: 5 years

Do not hesitate to contact us if you have any questions about this product.

Warranty: 5 years

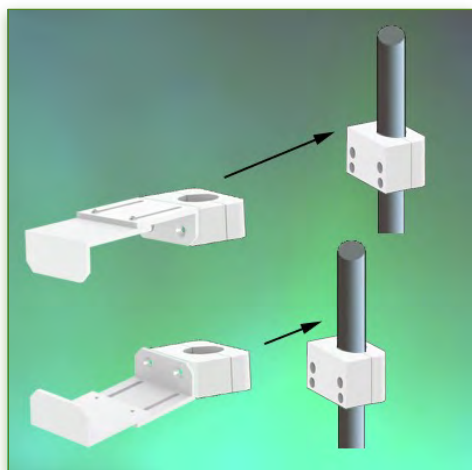
000.978.158

Graphite grey

On Measure

= Depending on the elements

978.158

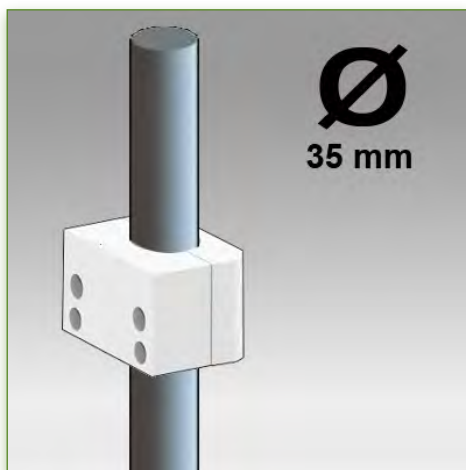
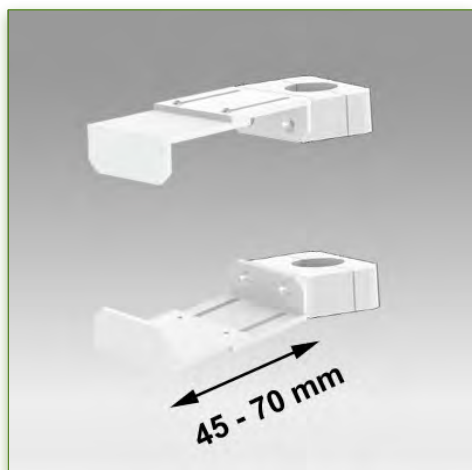


CPU holder Adjustable  
45-70 mm  
mounting on Pole 35 mm

Part Number: 978.158



Medical Grade



Do not hesitate to contact us if you have any questions about this product.



Warranty: 5 years



000.978.158



Graphite grey



On Measure



= Depending on the elements



978.158



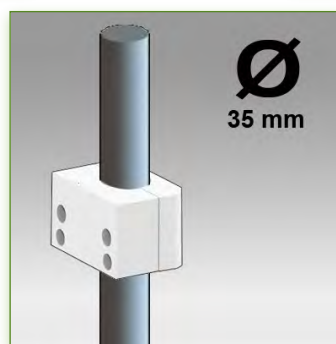
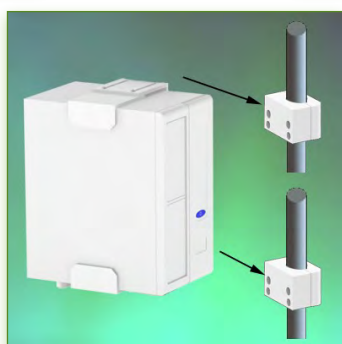
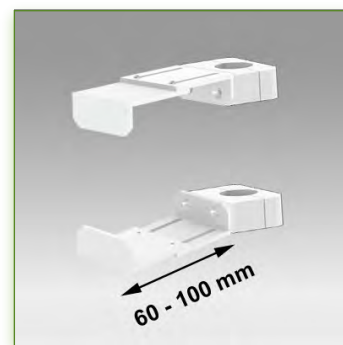
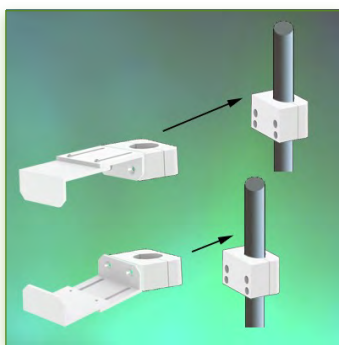
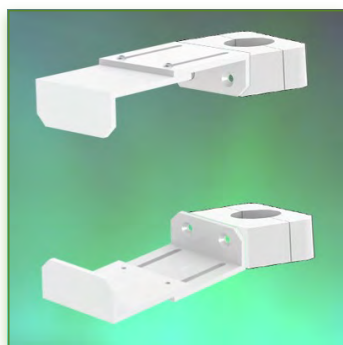
**Anti-bacterial properties:**

IT medical arms are now designed with Microban antibacterial protection, a revolutionary treatment that guarantees optimal hygiene. IT medical arms integrate Microban and other antibacterial agents into all medical products. It inhibits the growth of bacteria of all types. This is not a surface treatment.

It is 100% in the totality of the product.

It does not alter the physico-mechanical properties of the medical arm lift system. Simulations over 30 years show that 100% of the antibacterial properties are maintained.

All medical articulated arms incorporate Microban. Microban is the world's leading provider of anti-bacterial solutions. It has been successfully applied for more than 35 years in a wide range of products used in the hospital, construction and food industries.



CPU holder Adjustable  
 60-100 mm  
 mounting on Pole 35 mm  
 Part Number: 978.159

**Adjustable CPU holder 60-100 mm Mounting on 35 mm Fixed Pole**

This CPU support is adjustable in width and height and is suitable for the majority of CPU's on the market.

It is coated with an anti-microbial agent offering hygiene and cleaning down to the last detail. Its modern design has been specially designed for healthcare environments.

**Technical specifications:**

- \* Mounting on 35 mm fixed pole, fixing ring included.
- \* Height adjustable
- \* Adjustable width from 60 to 100 mm
- \* Colour RAL 7024 (Graphite grey)
- \* All our medical arms are in conformity: CE, ROHS, Medical Grade, Regulations MDD 93/42 ECC.
- \* Warranty: 5 years

Do not hesitate to contact us if you have any questions about this product.

Warranty: 5 years

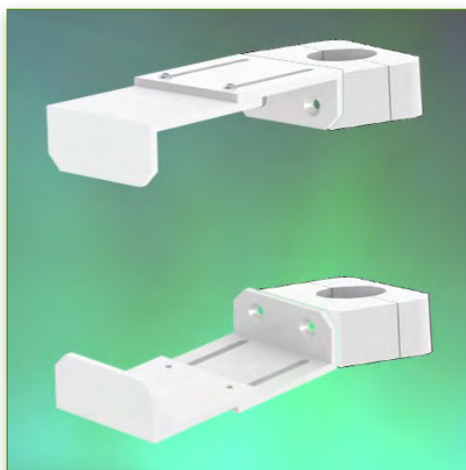
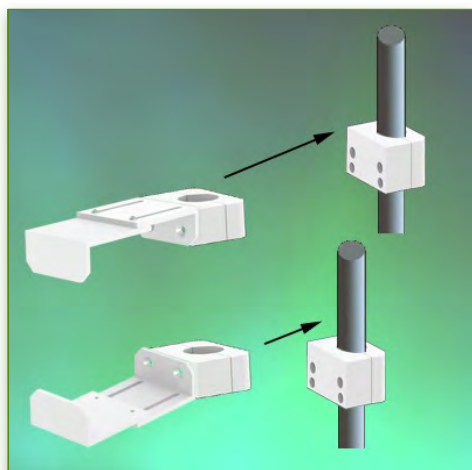
000.978.159

Graphite grey

On Measure

= Depending on the elements

978.159

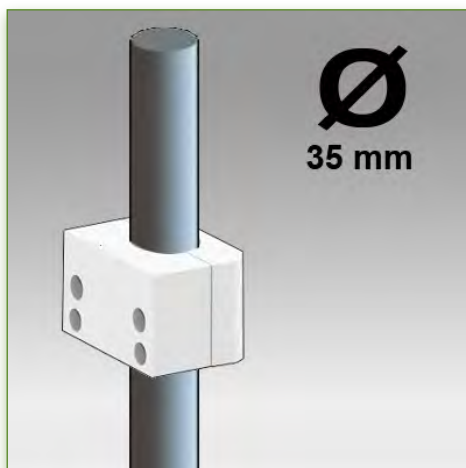
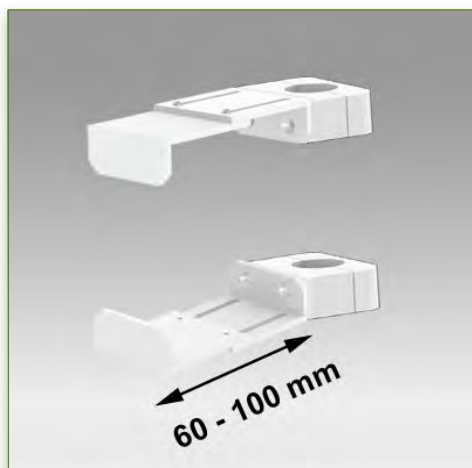


CPU holder Adjustable  
60-100 mm  
mounting on Pole 35 mm

Part Number: 978.159



Medical Grade



Do not hesitate to contact us if you have any questions about this product.



Warranty: 5 years



000.978.159



Graphite grey



On Measure



= Depending on the elements



978.159

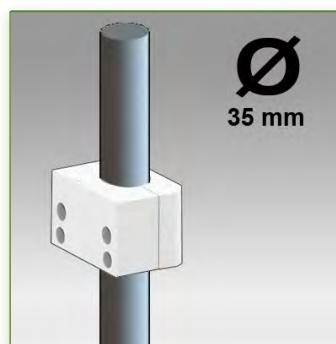
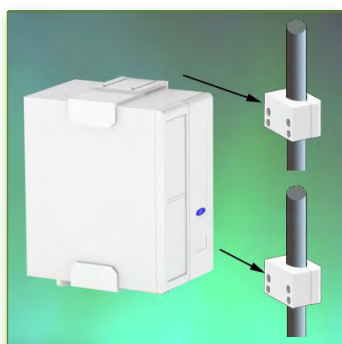
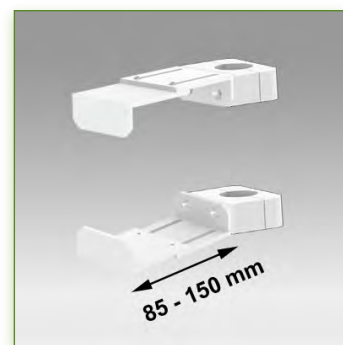
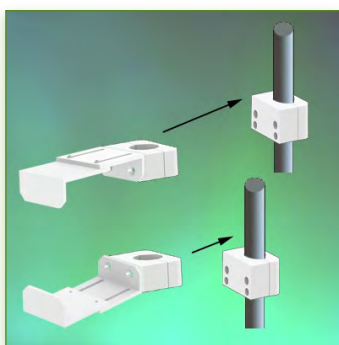
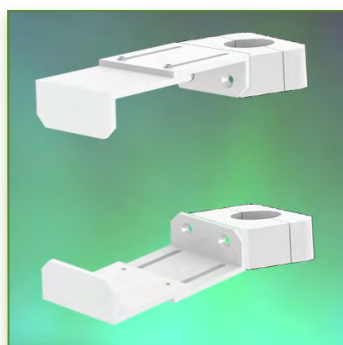


**Anti-bacterial properties:**

IT medical arms are now designed with Microban antibacterial protection, a revolutionary treatment that guarantees optimal hygiene. IT medical arms integrate Microban and other antibacterial agents into all medical products. It inhibits the growth of bacteria of all types. This is not a surface treatment.

It is 100% in the totality of the product. It does not alter the physico-mechanical properties of the medical arm lift system. Simulations over 30 years show that 100% of the antibacterial properties are maintained.

All medical articulated arms incorporate Microban. Microban is the world's leading provider of anti-bacterial solutions. It has been successfully applied for more than 35 years in a wide range of products used in the hospital, construction and food industries.



CPU holder Adjustable  
 85-150 mm  
 mounting on Pole 35 mm

Part Number: 978.160

**Adjustable CPU holder 85-150 mm Mounting on 35 mm Fixed Pole**

This CPU support is adjustable in width and height and is suitable for the majority of CPU's on the market.

It is coated with an anti-microbial agent offering hygiene and cleaning down to the last detail. Its modern design has been specially designed for healthcare environments.

**Technical specifications:**

- \* Mounting on 35 mm fixed pole, fixing ring included.
- \* Height adjustable
- \* Adjustable width from 85 to 150 mm
- \* Colour RAL 7024 (Graphite grey)
- \* All our medical arms are in conformity:  
 CE, ROHS, Medical Grade, Regulations MDD 93/42 ECC.
- \* Warranty: 5 years

Do not hesitate to contact us if you have any questions about this product.

Warranty: 5 years

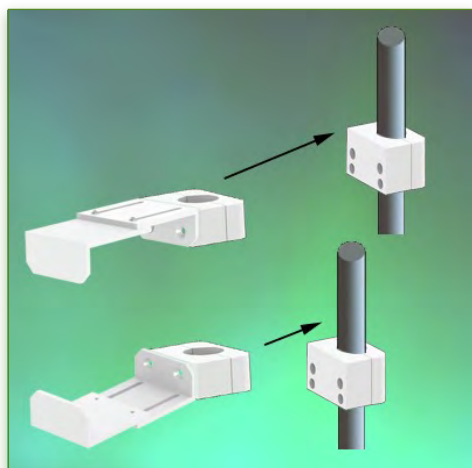
000.978.160

Graphite grey

On Measure

= Depending on the elements

978.160



CPU holder Adjustable  
85-150 mm  
mounting on Pole 35 mm

Part Number: 978.160



Medical Grade



Do not hesitate to contact us if you have any questions about this product.



Warranty: 5 years



000.978.160



Graphite grey



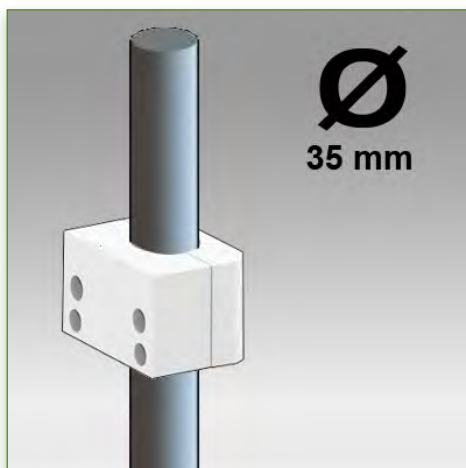
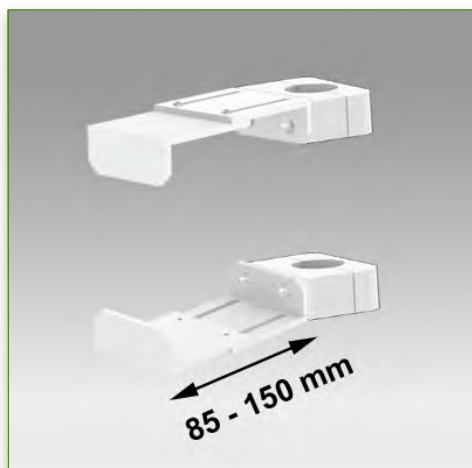
On Measure



= Depending on the elements



978.160



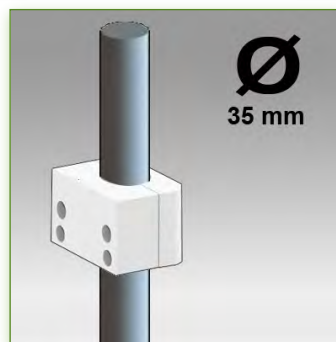
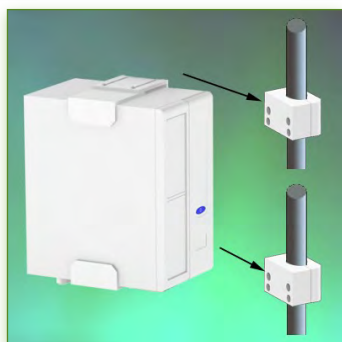
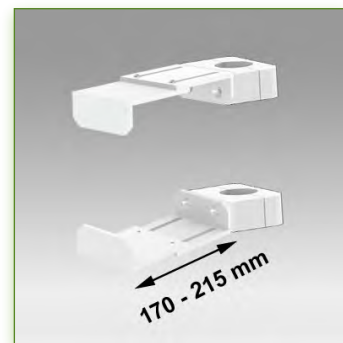
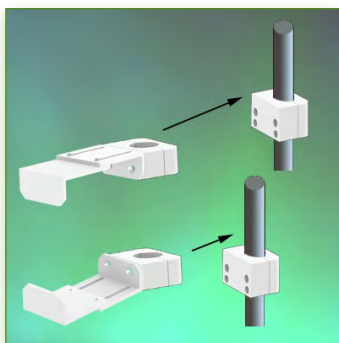
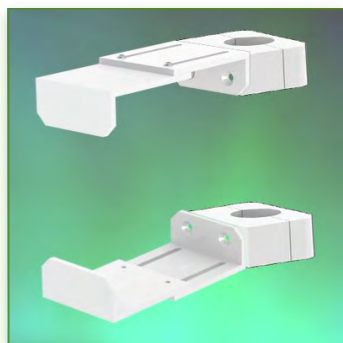
**Anti-bacterial properties:**

IT medical arms are now designed with Microban antibacterial protection, a revolutionary treatment that guarantees optimal hygiene. IT medical arms integrate Microban and other antibacterial agents into all medical products. It inhibits the growth of bacteria of all types. This is not a surface treatment. It is 100% in the totality of the product.

It does not alter the physico-mechanical properties of the medical arm lift system. Simulations over 30 years show that 100% of the antibacterial properties are maintained.

All medical articulated arms incorporate Microban. Microban is the world's leading provider of anti-bacterial solutions. It has been successfully applied for more than 35 years in a wide range of products used in the hospital, construction and food industries.





CPU holder Adjustable  
 170-215 mm  
 mounting on Pole 35 mm

Part Number: 978.162

Do not hesitate to contact us if you have any questions about this product.

Warranty: 5 years

000.978.162

Graphite grey

On Measure

= Depending on the elements

978.162

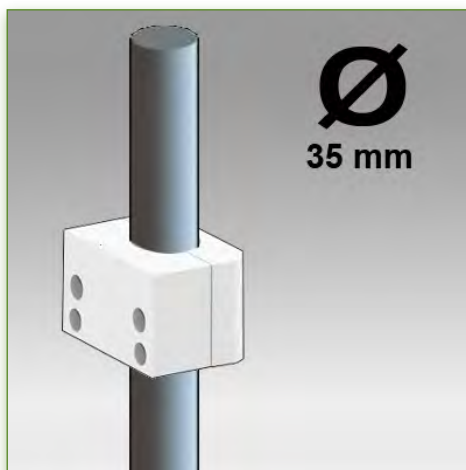
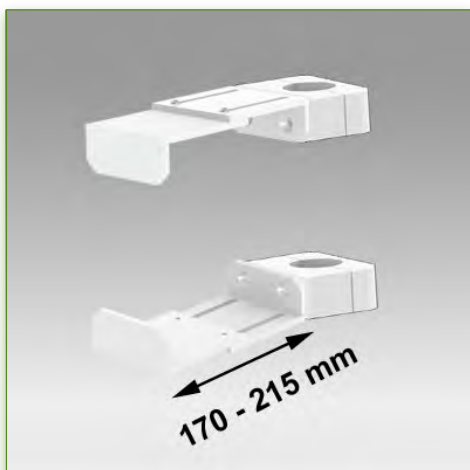
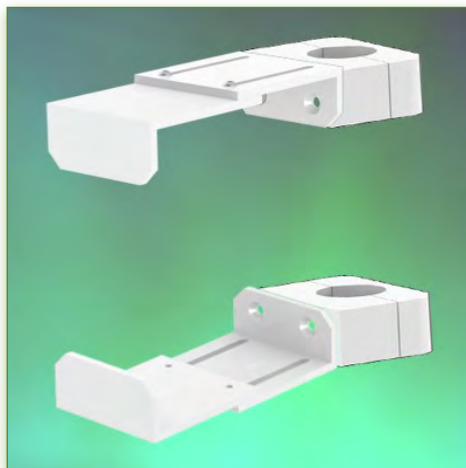
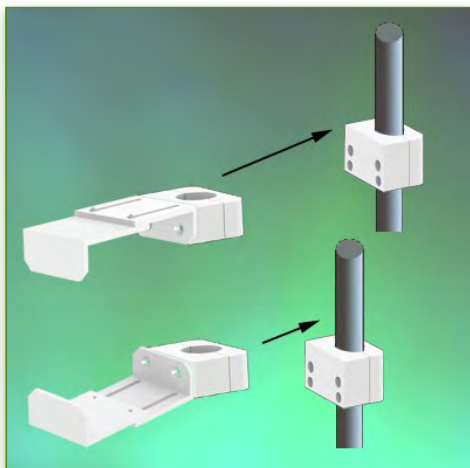
**Adjustable CPU holder 170-215 mm Mounting on 35 mm Fixed Pole**

This CPU support is adjustable in width and height and is suitable for the majority of CPU's on the market.

It is coated with an anti-microbial agent offering hygiene and cleaning down to the last detail. Its modern design has been specially designed for healthcare environments.

**Technical specifications:**

- \* Mounting on 35 mm fixed pole, fixing ring included.
- \* Height adjustable
- \* Adjustable width from 170 to 215 mm
- \* Colour RAL 7024 (Graphite grey)
- \* All our medical arms are in conformity: CE, ROHS, Medical Grade, Regulations MDD 93/42 ECC.
- \* Warranty: 5 years



CPU holder Adjustable  
170-215 mm  
mounting on Pole 35 mm

Part Number: 978.162



Medical Grade



Do not hesitate to contact us if you have any questions about this product.



Warranty: 5 years



000.978.162



Graphite grey



On Measure



= Depending on the elements



978.162

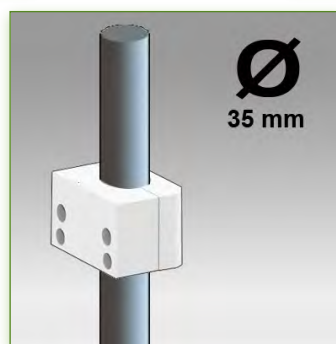
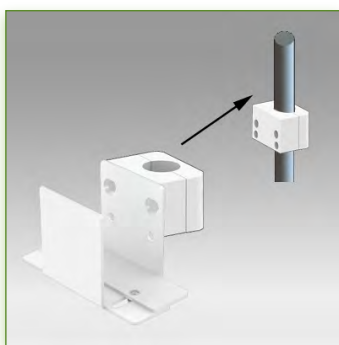
**Anti-bacterial properties:**

IT medical arms are now designed with Microban antibacterial protection, a revolutionary treatment that guarantees optimal hygiene. IT medical arms integrate Microban and other antibacterial agents into all medical products. It inhibits the growth of bacteria of all types. This is not a surface treatment.

It is 100% in the totality of the product.

It does not alter the physico-mechanical properties of the medical arm lift system. Simulations over 30 years show that 100% of the antibacterial properties are maintained.

All medical articulated arms incorporate Microban. Microban is the world's leading provider of anti-bacterial solutions. It has been successfully applied for more than 35 years in a wide range of products used in the hospital, construction and food industries.



Universal Stand Adjustable  
 35-57 mm  
 mounting on Pole 35 mm

Part Number: 978.163

Do not hesitate to contact us if you have any questions about this product.

Warranty: 5 years

000.978.163

Graphite grey

On Measure

= Depending on the elements

978.163

**Universal Adjustable Holder 35-57 mm Mounting on 35 mm Fixed Pole**

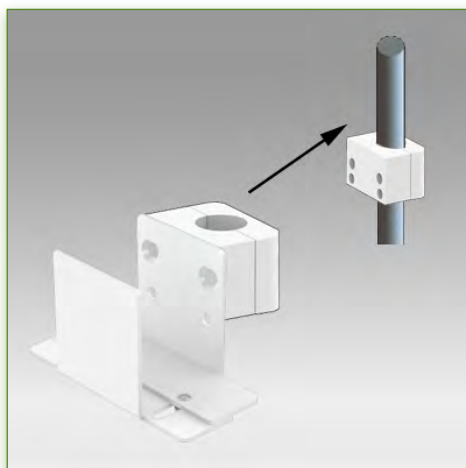
This universal adjustable width and height holder is suitable for most small machines on the market.

It is coated with an anti-microbial agent offering hygiene and cleaning down to the last detail. Its modern design has been specially designed for healthcare environments.

**Technical specifications:**

- \* Mounting on 35 mm fixed pole, fixing ring included.
- \* Adjustable width from 35 to 57 mm
- \* Colour RAL 7024 (Graphite grey)
- \* All our medical arms are in conformity: CE, ROHS, Medical Grade, Regulations MDD 93/42 ECC.

Warranty: 5 years

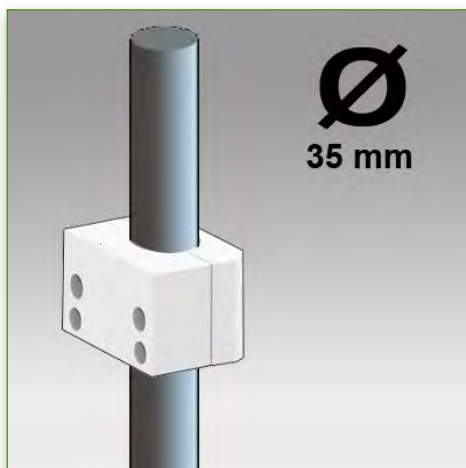
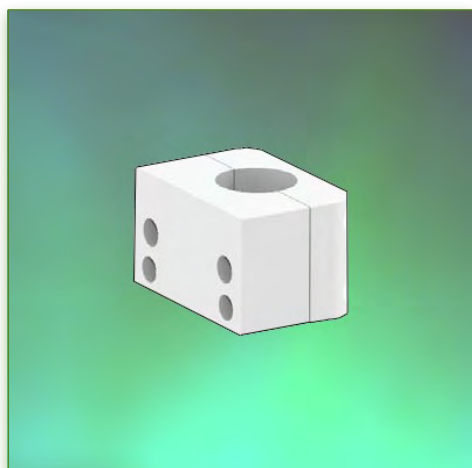


Universal Stand Adjustable  
35-57 mm  
mounting on Pole 35 mm

Part Number: 978.163



**Medical Grade**



Do not hesitate to contact us if you have any questions about this product.



Warranty: 5 years



000.978.163



Graphite grey



On Measure



= Depending on the elements



978.163

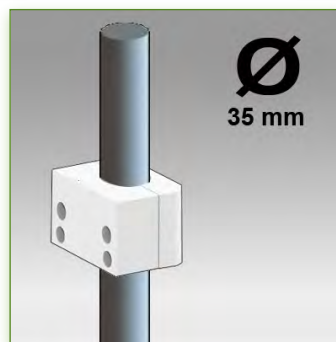
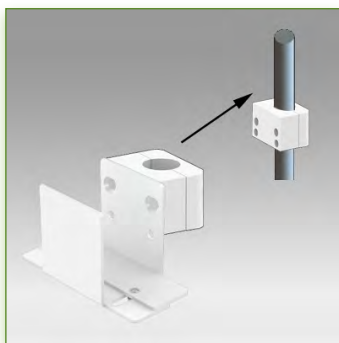


**Anti-bacterial properties:**

IT medical arms are now designed with Microban antibacterial protection, a revolutionary treatment that guarantees optimal hygiene. IT medical arms integrate Microban and other antibacterial agents into all medical products. It inhibits the growth of bacteria of all types. This is not a surface treatment.

It is 100% in the totality of the product. It does not alter the physico-mechanical properties of the medical arm lift system. Simulations over 30 years show that 100% of the antibacterial properties are maintained.

All medical articulated arms incorporate Microban. Microban is the world's leading provider of anti-bacterial solutions. It has been successfully applied for more than 35 years in a wide range of products used in the hospital, construction and food industries.



Universal Stand Adjustable  
 48-63 mm  
 mounting on Pole 35 mm  
 Part Number: 978.164

Do not hesitate to contact us if you have any questions about this product.

Garantie: 5 ans

000.978.164

Gris graphite

On Measure

= Depending on the elements

978.164

**Universal Adjustable Holder 48-63 mm Mounting on 35 mm Fixed Pole**

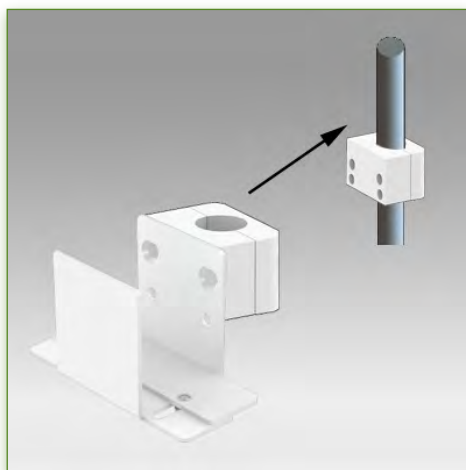
This universal adjustable width and height holder is suitable for most small machines on the market.

It is coated with an anti-microbial agent offering hygiene and cleaning down to the last detail. Its modern design has been specially designed for healthcare environments.

**Technical specifications:**

- \* Mounting on 35 mm fixed pole, fixing ring included.
- \* Adjustable width from 48 to 63 mm
- \* Colour RAL 7024 (Graphite grey)
- \* All our medical arms are in conformity: CE, ROHS, Medical Grade, Regulations MDD 93/42 ECC.

Warranty: 5 years

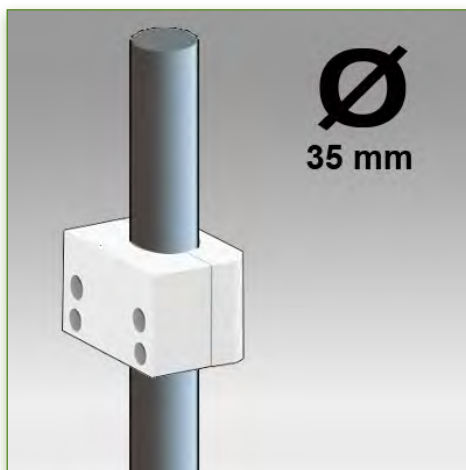
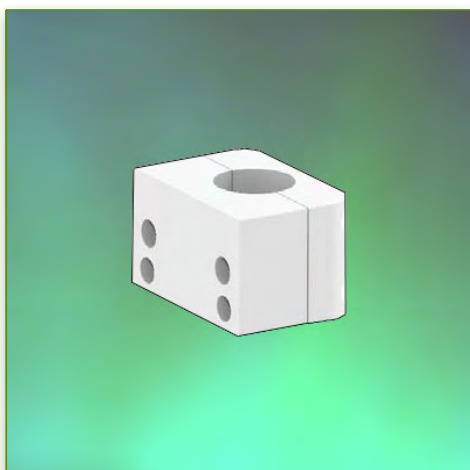


Universal Stand Adjustable  
 48-63 mm  
 mounting on Pole 35 mm

Part Number: 978.164



**Medical Grade**



Do not hesitate to contact us if you have any questions about this product.



Garantie: 5 ans



000.978.164



Gris graphite



On Measure



= Depending on the elements



978.164

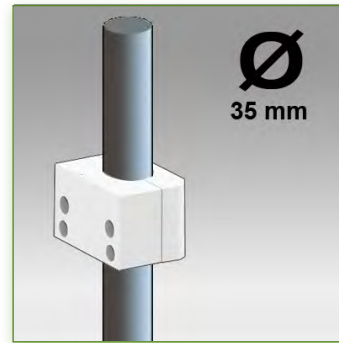
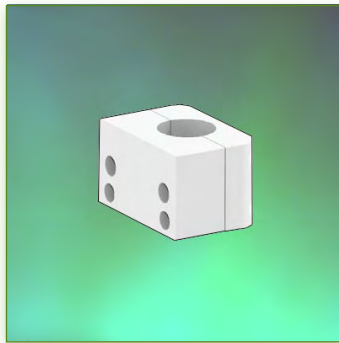
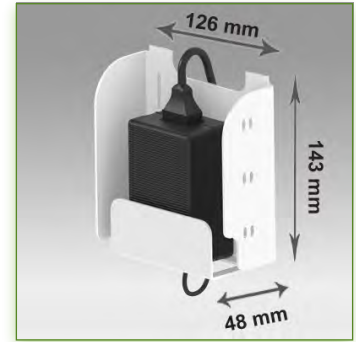
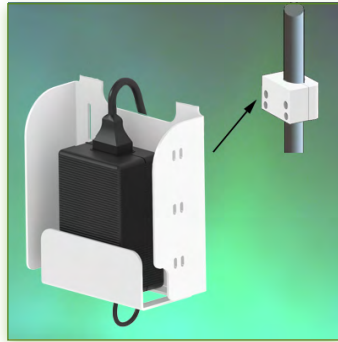


**Anti-bacterial properties:**

IT medical arms are now designed with Microban antibacterial protection, a revolutionary treatment that guarantees optimal hygiene. IT medical arms integrate Microban and other antibacterial agents into all medical products. It inhibits the growth of bacteria of all types. This is not a surface treatment.

It is 100% in the totality of the product. It does not alter the physico-mechanical properties of the medical arm lift system. Simulations over 30 years show that 100% of the antibacterial properties are maintained.

All medical articulated arms incorporate Microban. Microban is the world's leading provider of anti-bacterial solutions. It has been successfully applied for more than 35 years in a wide range of products used in the hospital, construction and food industries.



Power supply stand  
Mounting on Pole 35 mm

Part Number: 978.165

Do not hesitate to contact us if you have any questions about this product.

Warranty: 5 years

000.998.165

Graphite grey

On Measure

= Depending on the elements

998.165

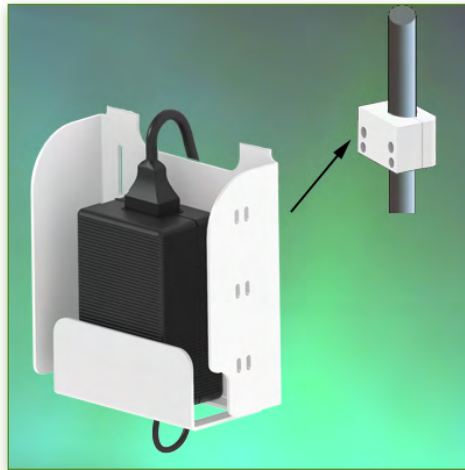
### Power supply holder 126 x 143 x 48 mm Mounting on 35 mm fixed pole

Support de rangement pour alimentation électrique en aluminium anodisé.  
Anodized aluminum power supply storage holder.

It is coated with an anti-microbial agent offering hygiene and cleaning down to the last detail. Its modern design has been specially designed for healthcare environments.

#### Technical specifications:

- \* Mounting on 35 mm fixed pole, fixing ring included.
- \* Suitable for most power supplies on the market
- \* Dimensions: 143 x 126 x 48 mm
- \* Colour RAL 7024 (Graphite grey)
- \* All our medical arms are in conformity:  
CE, ROHS, Medical Grade, Regulations MDD 93/42 ECC.
- \* Warranty: 5 years

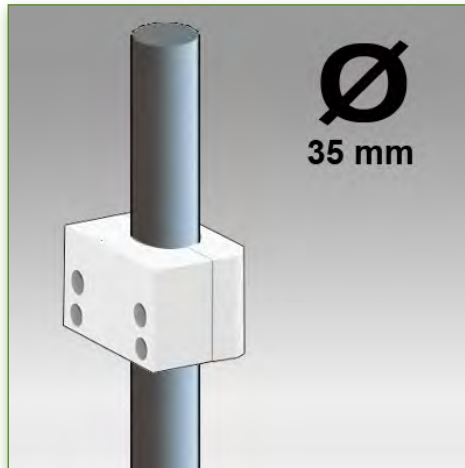
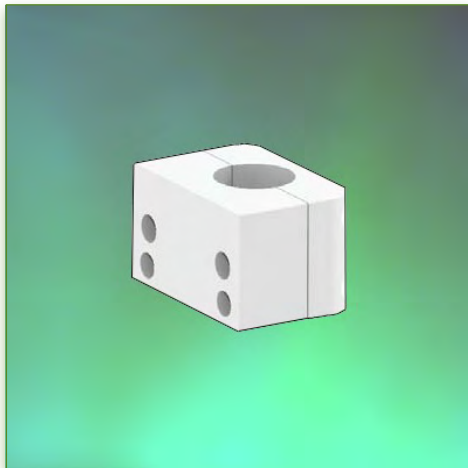


Support Alimentation  
Electrique Montage sur  
Pole Fixe de 35 mm

Référence: 978.165



**Medical Grade**



Do not hesitate to contact us if you have any questions about this product.



Warranty: 5 years



000.998.165



Graphite grey



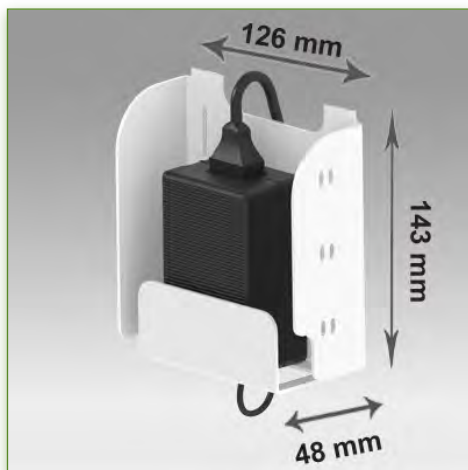
On Measure



= Depending on the elements



998.165



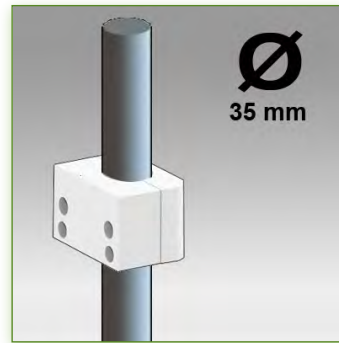
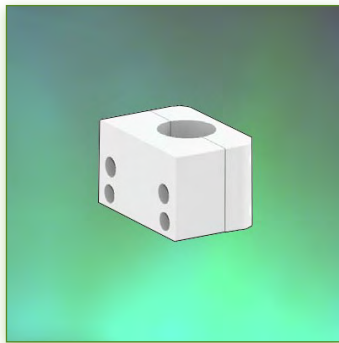
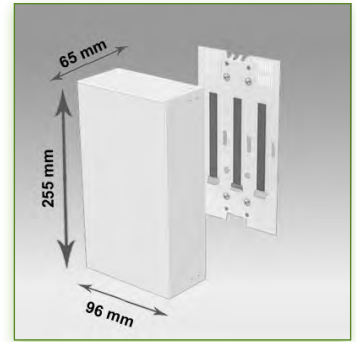
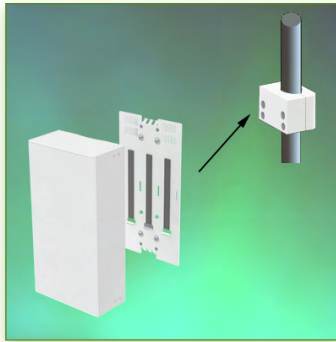
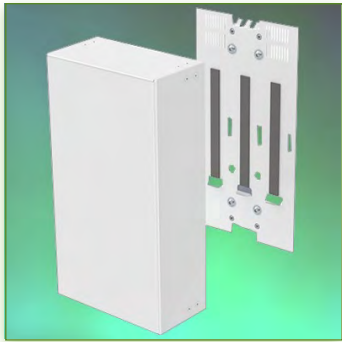
**Anti-bacterial properties:**

IT medical arms are now designed with Microban antibacterial protection, a revolutionary treatment that guarantees optimal hygiene. IT medical arms integrate Microban and other antibacterial agents into all medical products. It inhibits the growth of bacteria of all types. This is not a surface treatment.

It is 100% in the totality of the product. It does not alter the physico-mechanical properties of the medical arm lift system. Simulations over 30 years show that 100% of the antibacterial properties are maintained.

All medical articulated arms incorporate Microban. Microban is the world's leading provider of anti-bacterial solutions. It has been successfully applied for more than 35 years in a wide range of products used in the hospital, construction and food industries.





Electrical power supply box  
 255 x 96 x 65 mm  
 Mounting on Pole 35 mm  
 Part Number: 978.166



Do not hesitate to contact us if you have any questions about this product.



Warranty: 5 years



000.998.166



Graphite grey



On Measure



= Depending on the elements



998.166

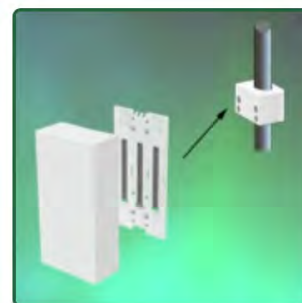
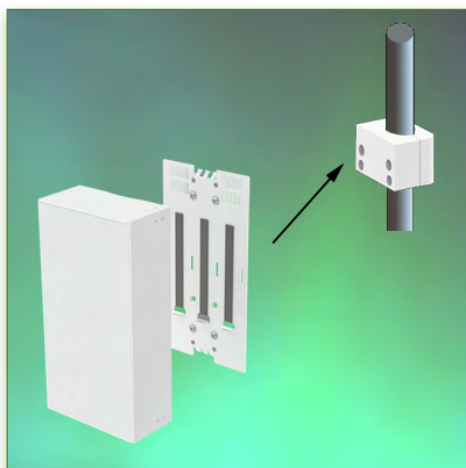
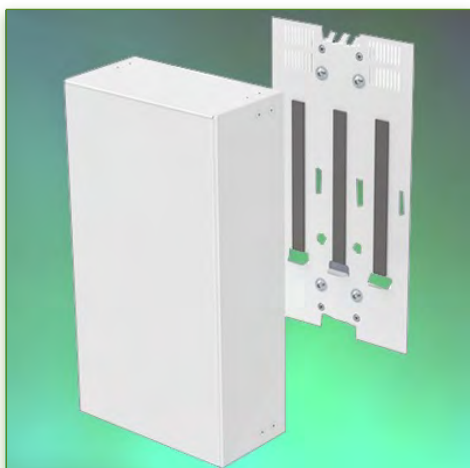
**Power supply box 255 x 96 x 65 mm Mounting on 35 mm fixed pole**

Storage box for power supply, anodised aluminium.

It is coated with an anti-microbial agent offering hygiene and cleaning down to the last detail. Its modern design has been specially designed for healthcare environments.

Technical specifications:

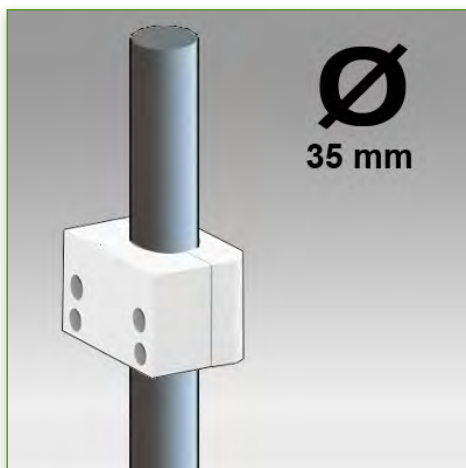
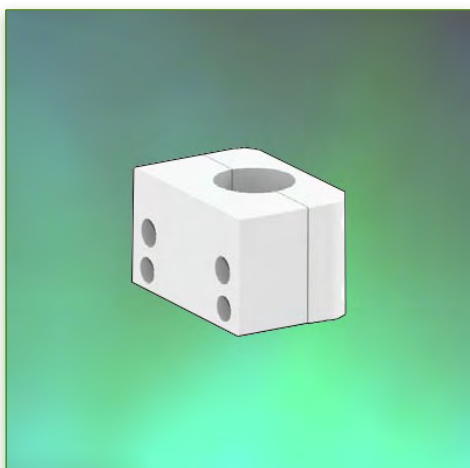
- \* Mounting on 25 mm fixed pole, fixing ring included.
- \* Suitable for most power supplies on the market
- \* Dimensions: 255 x 96 x 65 mm
- \* Housing ventilated through ventilation holes to prevent overheating
- \* Designed for one power supply
- \* Colour RAL 7024 (Graphite grey)
- \* All our medical arms are in conformity: CE, ROHS, Medical Grade, Regulations MDD 93/42 ECC.
- \* Warranty: 5 years



Electrical power supply box  
255 x 96 x 65 mm  
Mounting on Pole 35 mm  
Part Number: 978.166



Medical Grade



Do not hesitate to contact us if you have any questions about this product.



Warranty: 5 years



000.998.166



Graphite grey



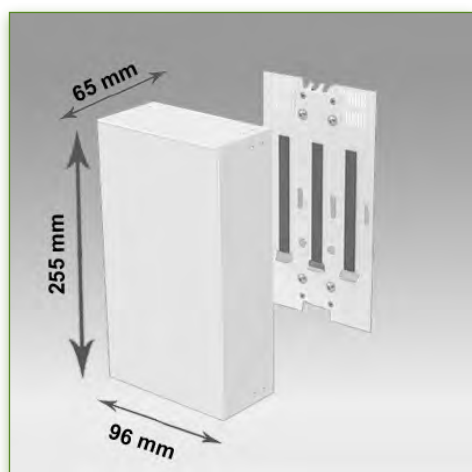
On Measure



= Depending on the elements



998.166

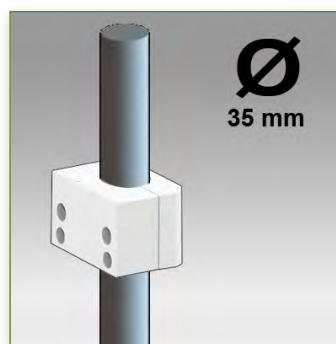
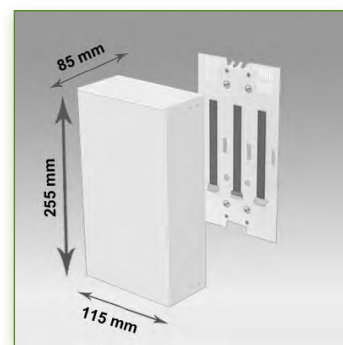
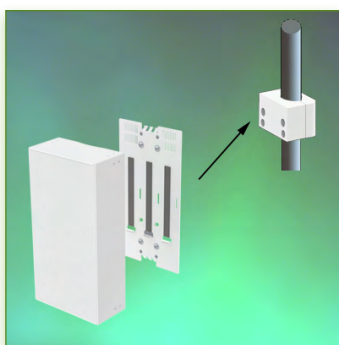
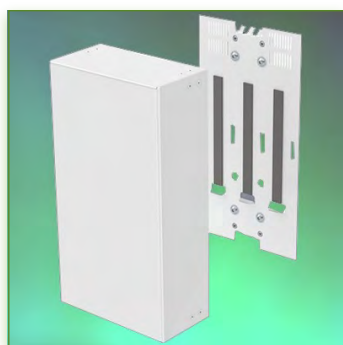


**Anti-bacterial properties:**

IT medical arms are now designed with Microban antibacterial protection, a revolutionary treatment that guarantees optimal hygiene. IT medical arms integrate Microban and other antibacterial agents into all medical products. It inhibits the growth of bacteria of all types. This is not a surface treatment. It is 100% in the totality of the product.

It does not alter the physico-mechanical properties of the medical arm lift system. Simulations over 30 years show that 100% of the antibacterial properties are maintained.

All medical articulated arms incorporate Microban. Microban is the world's leading provider of anti-bacterial solutions. It has been successfully applied for more than 35 years in a wide range of products used in the hospital, construction and food industries.



Electrical power supply box  
255 x 115 x 85 mm  
Mounting on Pole 35 mm  
Part Number: 978.167

**Power supply box 255 x 115 x 85 mm Mounting on 35 mm fixed pole**

Storage box for power supply, anodised aluminium.

It is coated with an anti-microbial agent offering hygiene and cleaning down to the last detail. Its modern design has been specially designed for healthcare environments.

**Technical specifications:**

- \* Mounting on 35 mm fixed pole, fixing ring included.
- \* Suitable for most power supplies on the market
- \* Dimensions: 255 x 115 x 85 mm
- \* Housing ventilated through ventilation holes to prevent overheating
- \* Designed for one power supply
- \* Colour RAL 7024 (Graphite grey)
- \* All our medical arms are in conformity:  
CE, ROHS, Medical Grade, Regulations MDD 93/42 ECC.
- \* Warranty: 5 years

Do not hesitate to contact us if you have any questions about this product.

Warranty: 5 years

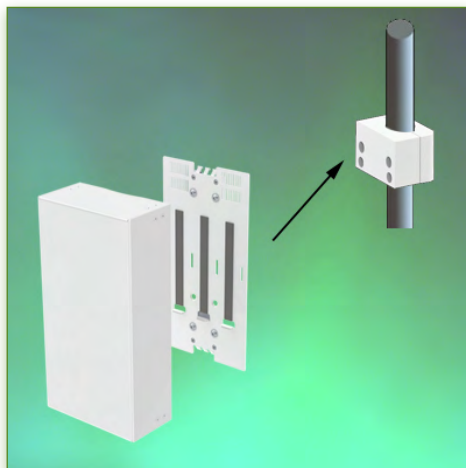
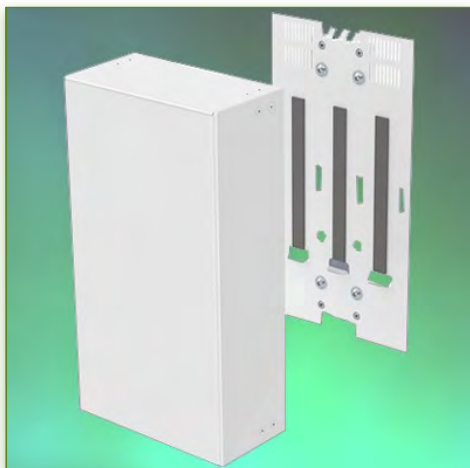
000.978.167

Graphite grey

On Measure

= Depending on the elements

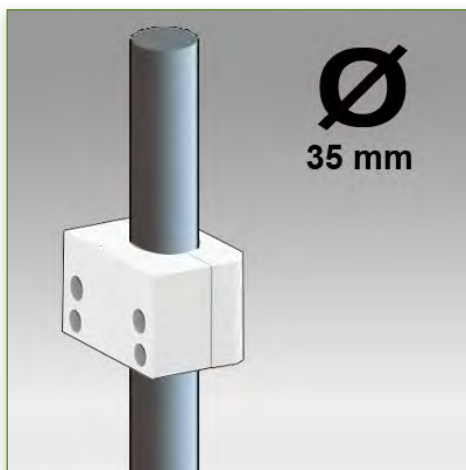
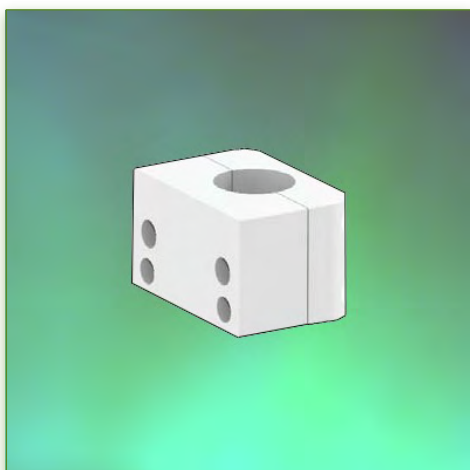
978.167



Electrical power supply box  
255 x 115 x 85 mm  
Mounting on Pole 35 mm  
Part Number: 978.167



**Medical Grade**



Do not hesitate to contact us if you have any questions about this product.



Warranty: 5 years



000.978.167



Graphite grey



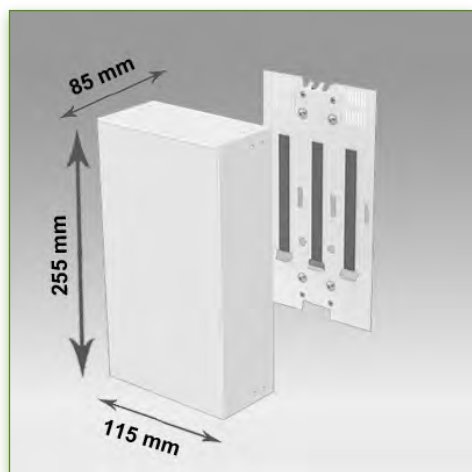
On Measure



= Depending on the elements



978.167



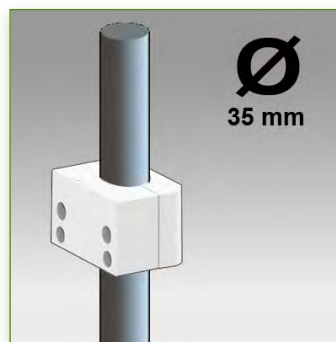
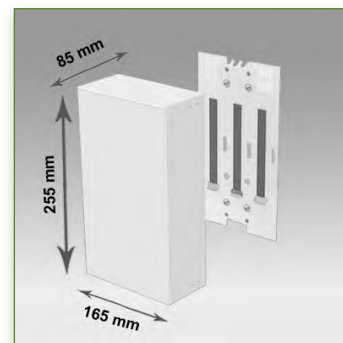
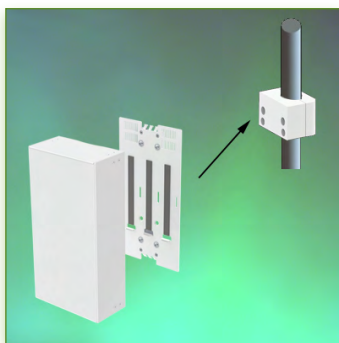
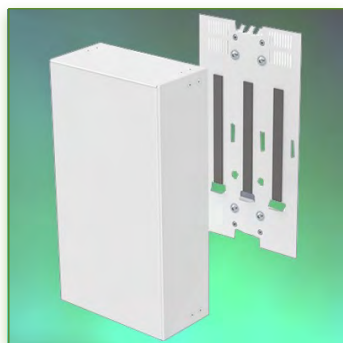
**Anti-bacterial properties:**

IT medical arms are now designed with Microban antibacterial protection, a revolutionary treatment that guarantees optimal hygiene. IT medical arms integrate Microban and other antibacterial agents into all medical products. It inhibits the growth of bacteria of all types. This is not a surface treatment.

It is 100% in the totality of the product.

It does not alter the physico-mechanical properties of the medical arm lift system. Simulations over 30 years show that 100% of the antibacterial properties are maintained.

All medical articulated arms incorporate Microban. Microban is the world's leading provider of anti-bacterial solutions. It has been successfully applied for more than 35 years in a wide range of products used in the hospital, construction and food industries.



Electrical power supply box  
255 x 165 x 85 mm  
Mounting on Pole 35 mm  
Part Number: 978.168

Do not hesitate to contact us if you have any questions about this product.

Warranty: 5 years

000.978.168

Graphite grey

On Measure

= Depending on the elements

978.168

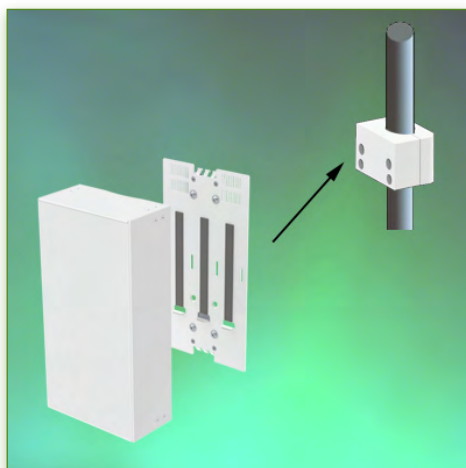
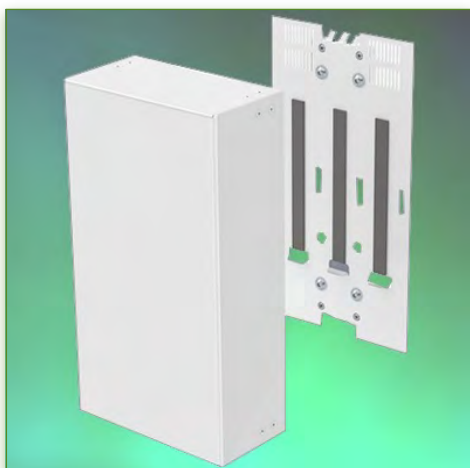
### Power supply box 255 x 165 x 85 mm Mounting on 35 mm fixed pole

Storage box for power supply, anodised aluminium.

It is coated with an anti-microbial agent offering hygiene and cleaning down to the last detail. Its modern design has been specially designed for healthcare environments.

#### Technical specifications:

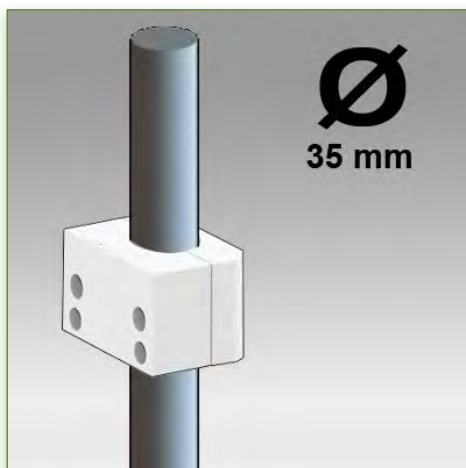
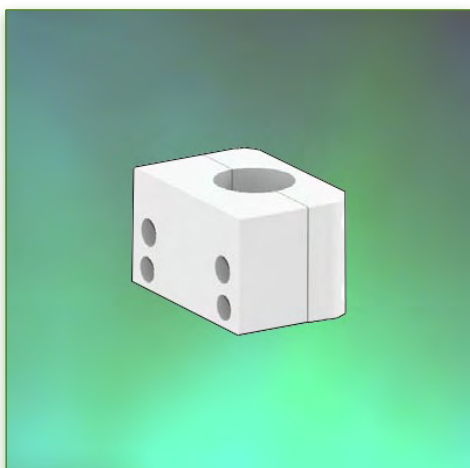
- \* Mounting on 35 mm fixed pole, fixing ring included.
- \* Suitable for most power supplies on the market
- \* Dimensions: 255 x 165 x 85 mm
- \* Housing ventilated through ventilation holes to prevent overheating
- \* Designed for one power supply
- \* Colour RAL 7024 (Graphite grey)
- \* All our medical arms are in conformity:  
CE, ROHS, Medical Grade, Regulations MDD 93/42 ECC.
- \* Warranty: 5 years



Electrical power supply box  
255 x 165 x 85 mm  
Mounting on Pole 35 mm  
Part Number: 978.168



Medical Grade



Do not hesitate to contact us if you have any questions about this product.



Warranty: 5 years



000.978.168



Graphite grey



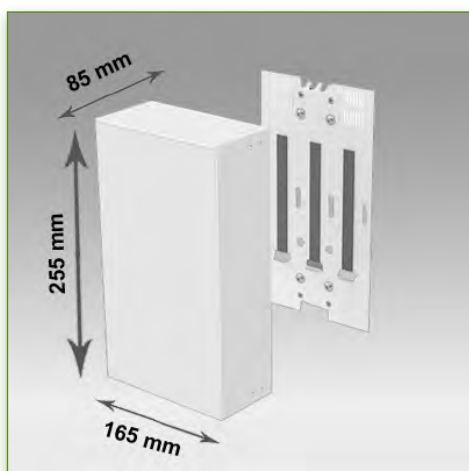
On Measure



= Depending on the elements



978.168



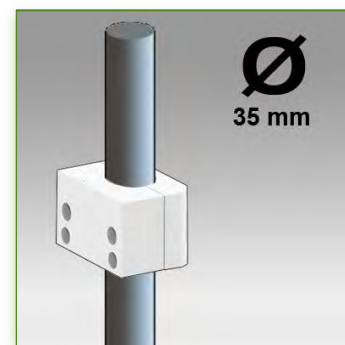
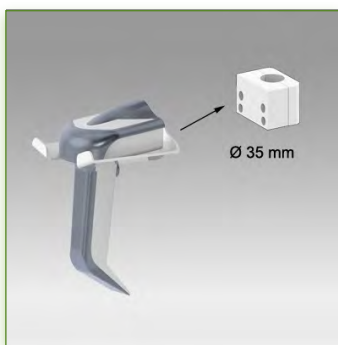
**Anti-bacterial properties:**

IT medical arms are now designed with Microban antibacterial protection, a revolutionary treatment that guarantees optimal hygiene. IT medical arms integrate Microban and other antibacterial agents into all medical products. It inhibits the growth of bacteria of all types. This is not a surface treatment.

It is 100% in the totality of the product.

It does not alter the physico-mechanical properties of the medical arm lift system. Simulations over 30 years show that 100% of the antibacterial properties are maintained.

All medical articulated arms incorporate Microban. Microban is the world's leading provider of anti-bacterial solutions. It has been successfully applied for more than 35 years in a wide range of products used in the hospital, construction and food industries.



Holder for barcode hand shower  
Mounting on Pole 35 mm

Part Number: 978.169

**Universal Handheld Barcode Shower Holder 35 mm Fixed Pole Mounting**

Universal barcode hand shower holder ideal for keeping the hand shower close to the medical facility.


This 13.5 x 10.31 x 6 cm barcode reader holder can be attached along the pole

This rugged barcode scanner stand is the perfect storage or scanning application.

Color: Graphite Grey and White

**Technical specifications:**

- \* Mounting on 35 mm fixed pole, fixing ring included.
- \* Keeps the hand shower safe
- \* All our medical arms are in conformity:  
CE, ROHS, Medical Grade, Regulations MDD 93/42 ECC.
- \* Warranty: 5 years

 Do not hesitate to contact us if you have any questions about this product.

 Warranty: 5 years

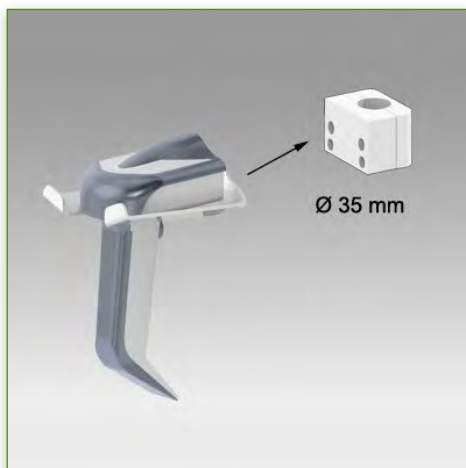
 000.978.169

 Graphite grey

 On Measure

 = Depending on the elements

 978.169



Holder for barcode hand shower  
 Mounting on Pole 35 mm

Part Number: 978.169



**Medical Grade**



Do not hesitate to contact us if you have any questions about this product.



Warranty: 5 years



000.978.169



Graphite grey



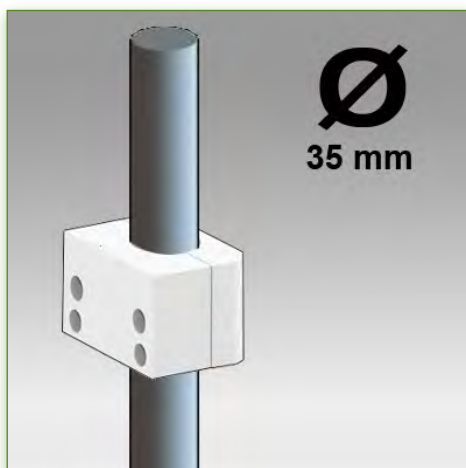
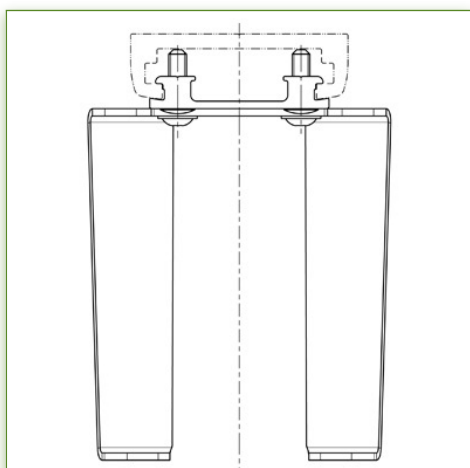
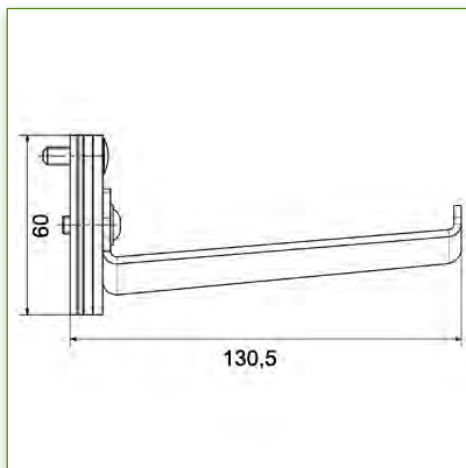
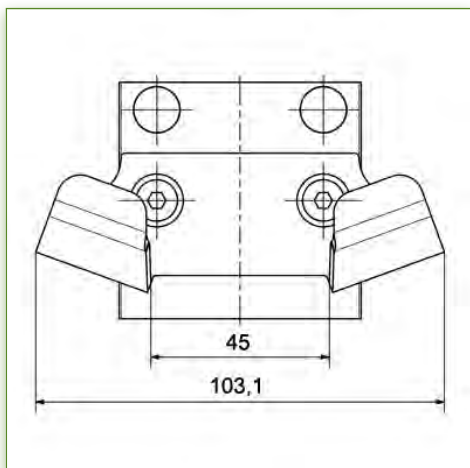
On Measure



= Depending on the elements



978.169



**Anti-bacterial properties:**

IT medical arms are now designed with Microban antibacterial protection, a revolutionary treatment that guarantees optimal hygiene. IT medical arms integrate Microban and other antibacterial agents into all medical products. It inhibits the growth of bacteria of all types. This is not a surface treatment.

It is 100% in the totality of the product.

It does not alter the physico-mechanical properties of the medical arm lift system. Simulations over 30 years show that 100% of the antibacterial properties are maintained.

All medical articulated arms incorporate Microban. Microban is the world's leading provider of anti-bacterial solutions. It has been successfully applied for more than 35 years in a wide range of products used in the hospital, construction and food industries.





## **Médical Grade**

Innovative designs, a StS® shortened elevator technology with a factor 6 gas lift that makes computer medical elevation effortlessly unmatched in the industry.

This StS® technology offers smooth adjustment flexibility regardless of the size and strength of the user, allowing him to maximize his comfort of use both sitting and standing. The revolutionary design of the StS technology separates from conventional technologies that do not meet the safety factor standards generally used in this type of design.

A StS elevator technology that is not under pressure, which means that your long-term performance will remain higher.

Designed for prolonged sitting or permanent applications. The StS technology offers a true revolution in ergonomic design that can be used by a wide range of clinicians and caregivers of all sizes, allowing them to adjust the height of the medical arm.

Robust, anodized aluminum construction, complemented by a small footprint, makes computer medical arms accessible even in places where space is at a premium.

These computerized medical workstations contribute to the encoding of critical patient care information with comfort at the patient's bedside with unmatched travel comfort.

Computerized medical arms comply with hospital hygiene standards, effectively they contain less than 5% of plastic harmful to bacteria and can be disinfected in the smallest details.

An anti-bacterial coating (microban) ensures perfect hygiene of arms and all parts are therefore impermeable to bacteria, no asperities in their designs aimed at a complete cleaning, fast and easy, helping to control infections.

It takes only 10 minutes to completely disinfect the workstation.

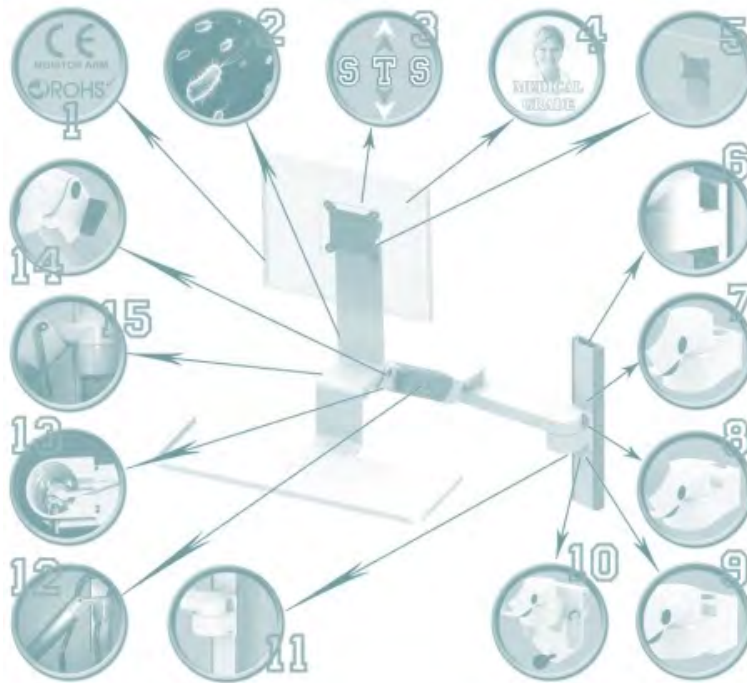
Human-centered designs place mobile computing exactly where it needs to be, reducing the time spent on each task for more efficiency.

the fruit of a close collaboration with the nurses, the computer scientists, the doctors, offering them a comfort and an ergonomics unparalleled in the data entry.

These medical computer arm solutions offer healthy computing environments that promote work efficiency.

Developed for superior performance, quality, durability for a better return on investment. Designed and created to minimize the impact of energy consumption and thereby reduce the harmful effects of air emissions and pollution.

Backed by a 5 year warranty, our solutions will give you all satisfactions.

**An Exceptional Experience! "Often copied, never equaled"****Unmatched in technology, comfort and installation**

- 1 / Compliant and CE and ROHS / DIN EN ISO 9001: 2008 certified
- 2 / Anti-bacterial coating
- 3 / Height adjustable technology
- 4 / Medical Standards
- 5 / VESA 75 and 100 mm
- 6 / Possibility of mounting on Din Wall Rail optional
- 7 / Possibility of mounting on fixed pole, 25 - 35 - 38 mm
- 8 / Possibility of mounting on Din Vertical Rail 10 x 25 mm
- 9 / Possibility of mounting on variable pole between 20 and 40 mm
- 10 / Possible installation on DIN Rail Horizontal, 10 x 25 - 8 x 35 - 10 x 30 - 10 x 50 mm
- 11 / Optional column mounting option
- 12 / Cable entry and internal connector on the arm (internal chute supplied)
- 13 / Equipotential bonding and connector
- 14 / Adjustment and safety lever
- 15 / Adjustment and easy control of the gas cylinder

## **Bacteria-proof**

Plastic, even food, is porous. This porosity, accentuated by scratches can cause bacteria nests in computerized medical arms during these constant manipulations. A biofilm can be put in place in a few hours, and allow the bacteria there to become resistant to external agents.

This is why our Computer Medical Arms, contrary to what we find on the market have a complete structure in anodized aluminum. Less than 5% of plastic in their designs dedicated specifically to the medical and hospital sector.

## **Aluminum, its characteristics, its properties, its utility:**

### **Main characteristics**

Density: 2700 kg / m<sup>3</sup>

Density: 2.7 (three times less than steel)

The use of aluminum is therefore essential in the areas of the construction of our computer arms.

### **Corrosion resistance:**

Aluminum alloys are highly oxidizable. In the air, a layer of a few micrometers of aluminum oxide (Al<sub>2</sub>O<sub>3</sub>) is formed. Thanks to this thin film, aluminum alloys become resistant to corrosion. Unlike most metals, aluminum needs to oxidize to be used. Without this film of oxide, it would be unsuitable for most of its applications.

Thus, under normal atmospheric conditions, exterior building claddings or aluminum alloy parts have minimal maintenance and extended service life.

### **Anodizing:**

Forced oxidation with an electrolyte makes it possible to obtain coloring of the parts. This anodizing can also be colorless to keep the shine of the pieces (aluminum color). The protective oxide layer can be made thicker by anodization.

### **Recycling:**

To recycle aluminum, there is nothing simpler: just melt it. In addition to environmental benefits, aluminum recycling is much less expensive than extraction from bauxite ore. It requires 95% less energy. And a ton of recycled aluminum saves four tons of bauxite. By skipping the electrolysis stage, which requires a lot of energy, we avoid the pollutant emissions associated with it. Aluminum is almost infinitely recyclable without losing its qualities. In France, aluminum is recovered as part of selective sorting. In sorting centers, it is sorted thanks to eddy currents. It is then broken and crushed and melted. The downside, aluminum remains on the market an expensive material.

**Benefit:**

- \* Resistant to corrosion
- \* Unalterable color
- \* Rigid
- \* Allows 100% recycling
- \* Light
- \* Noise and vibration reduction
- \* Do not rust
- \* Longevity is three to four times greater than steel
- \* Absorbs considerable pressure and effort
- \* Insulation
- \* Effective barrier against bacteria
- \* Raincoat
- \* Resistant to high and low temperatures
- \* Sterilizable
- \* Strength, weight, versatility
- \* Do not burn
- \* Anti acid

**Antibacterial Micoban:**

The medical computer arms are now designed with Microban antibacterial protection, a revolutionary treatment that guarantees optimal hygiene. Medical computer arms integrate Microban and other anti-bacterial agents into all medical products. It inhibits the growth of bacteria of all types. It is not a superficial treatment. It is 100% in the entire product. It does not entail any alteration of the physico-mechanical properties of the lift system of the medical arms. 30-year simulations show that 100% of anti-bacterial properties are maintained. All medical articulated arms incorporate Microban. Microban is a world leader in anti-bacterial solutions. It has been successfully applied for more than 35 years in multiple products used in the hospital, construction and food sectors.

### Safety factor - Load with sixfold safety factor

The factor of safety is the use of more elements than necessary to compensate for the effects of unknown variables and to prevent system failures.

Design requires dealing with the unknown. Whatever the designer's level of knowledge and the quality of the specifications, hypotheses are inevitable in any design process.

The safety factors are used to offset the potential effects of these unknowns. The idea is to add materials and components to the system so that the design exceeds the specifications defined as necessary to meet the needs.

For example, designing an internet service that can support thousands of users is straightforward and straightforward. However, to take into account unanticipated needs for example downloading large files, the specifications of the need can be multiplied (here in threes).

In this case, the safety factor of three means that the service is qualified as being able to support 1000 users but is designated to actually support 3000.

The level of the safety factor corresponds directly to the level of ignorance of the design parameters. The higher the level of ignorance, the more the safety factor will be increased. More elements mean a higher cost.

The novelties require an important factor of safety. If a design becomes reliable over time, the confidence that the unknowns of the system disappear combined with the pressure to reduce costs causes a process of trimming and reducing the factor of safety.

Unfortunately, this process usually continues until an accident or malfunction occurs.

The safety factor must be used to minimize the risk of design failure. When the level of confidence in the design increases, we can then decrease the coefficient of safety but we must be careful not to go too far.

It is necessary to observe the nominal capacity of a system to make decisions that stress the limits of the system and not the expected capacity.

**That is why all our medical arms are certified with a safety factor of 6 for your safety and that of your patients.**



### Disinfection, cleaning and hygiene of medical arms

Innovative designs, a StS® shortened lift technology with a factor 6 gas jack that allows the arms Hospital-acquired infections are a real public health problem. There are nowadays in France, about 10,000 deaths per year of these infections contracted at the hospital. They represent a very heavy burden for society, from a human, economic and social point of view. As a result, medical computer trolleys have been designed to be disinfected in their totality and disinfection takes only a very short time for the hygienist (less than 10 minutes).

### WHY KEEP THE SAFE SURFACES?

- \* Pathogenic microorganisms that enter the premises can survive on surfaces for long periods of time. periods of time.
- \* Microorganisms that settle on surfaces can then be transmitted to the hands.
- \* The germs of the hands can spread by contact, and be transmitted to other people and cause an infection.
- \* Clean or disinfect surfaces to reduce the risk of cross-contamination.
- \* Clean water may become contaminated if its container is not clean.



### Recommended disinfectants:

1. Chlorine-based (10% max solution) - Chlorox, Novalsan, etc.
2. Formaldehyde base - 37% formaldehyde solution, Vinco Formaldegen, etc.
3. Glutaraldehyde-based stock - Aldacide 200, Lysofume, Wavicide, etc.
4. Phenol stock base - Lysol IC, many, Magna Clean, Tek-Trol, etc.
5. Alcohol Based - CaviCide, Isopropyl Alcohol, Medicide (POL-0.3), etc.
6. Oxidants - Hydrogen Peroxide Solution 3%, VikronS, Lifegard series, etc.
7. Ammonium quaternaries - Roccal-D, Bacto-Sep, Ascend, Parvosol, etc.
8. Soap and hot water

### DO NOT USE:

1. Oil-based liquid cleaners, such as gasoline, turpentine or petroleum
2. Acetone
3. More than 10% bleach solutions
4. Temperature or sterilization pressure

**Ergonomics of workstations on screen**

**Determination of posture**

**A good design of an on-screen workstation allows:**

- \* increase the postural margin of the operator; any posture, however ideal, becoming uncomfortable after a certain time (pain in the shoulders, arms, hands, neck, back and legs),
- \* to reduce the stresses of the cervical vertebrae and the muscles supporting the head (cervicalgia, muscular fatigue),
- \* \* to reduce the disorders due to a sustained cognitive and visual activity (headache, tingling, tearing, visual discomfort, etc.),
- \* to increase blood circulation in the legs, ...

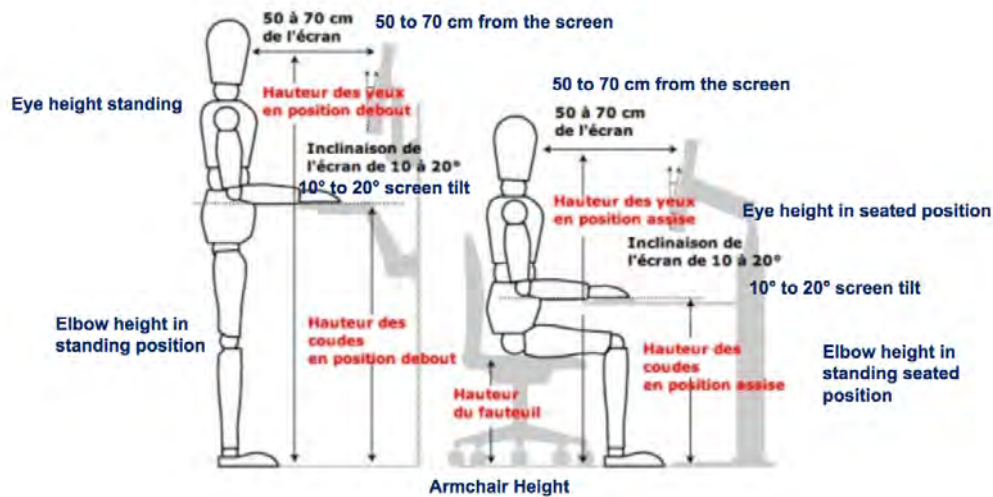
Follow these two steps to improve the comfort of your workstation:

**1. Select your size (in cm):**

Size in cm	Eyes in a sitting position	Eyes in a standing position	Elbow in sitting position	Elbow in Standing Position	Armchair
152	105	141	57	93	36
155	107	144	58	94	37
157	110	146	59	95	38
160	111	148	60	97	38
163	113	151	61	99	39
165	115	153	62	101	40
168	117	156	63	102	41
170	118	158	64	104	41
173	120	161	65	106	42
175	122	163	66	108	43
178	124	166	67	109	44
180	125	168	68	111	44
183	127	171	68	112	46
185	129	173	69	113	46
188	131	175	72	116	48
191	133	178	72	117	48



**2. Install / adjust the workstation components as described below:**



**Positions**

The eyes should be aligned with the top of the display surface of the screen (specifically, the center of the screen should be at an angle of 15 degrees to the horizontal at eye level).

Exception: For wearers of progressive lenses, lower the monitor and tilt the screen up to avoid neck pain.

The height of the elbows should be adjusted with the top of the keyboard.

The height of the chair should help to keep the feet flat when the hips are at a 90 ° angle.

A seat slightly inclined downward (3 to 5 degrees) allows to better respect the natural curvature of the spine in double "S", which relieves the lumbar vertebrae.

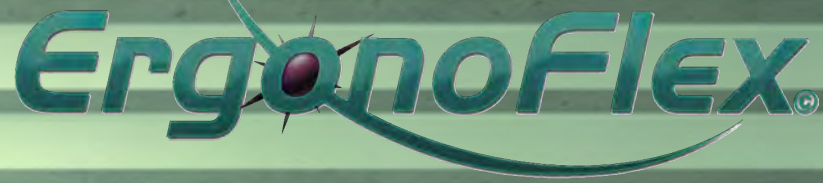
**Remarks**

These values do not take into account the clothing elements. Remember to add the height of the shoes to make the right measurements.

Remember that no posture can be preserved for a long time, the postural margin being a fundamental element of comfort.

Beyond its standard recommendations, it is important to consider the location of the various elements at the station, the characteristics and distribution of the various tasks, the environmental context (thermal, acoustic and luminous environment), the collective context of the activity. (stress, mutual assistance, conflicting injunctions, etc.) and any particularities or restrictions of aptitude of the operator concerned.

Be careful not to make the mistake (made by both the operators and the companies specialized in tertiary installations) to position the screen face or back to the window but perpendicular to avoid direct glare (sometimes effective but not perceived) or the reflections of the screen.



**MEDICAL MONITOR ARMS**  
**MOUNTING ON 35 MM FIXED POLE**



**We have all the solutions and offer you the widest choice of professional medical media systems compatible with the widest possible range of medical and computer monitors.**