

MEDICAL MONITOR ARMS FIXING ON A WORK SURFACE



**We have all the solutions and offer you the widest choice of
professional medical systems and supports compatible
with the widest possible range of medical and computer monitors.**

Our Medical Products for screen

MEDICAL MONITOR ARMS FIXING ON WORK PLAN

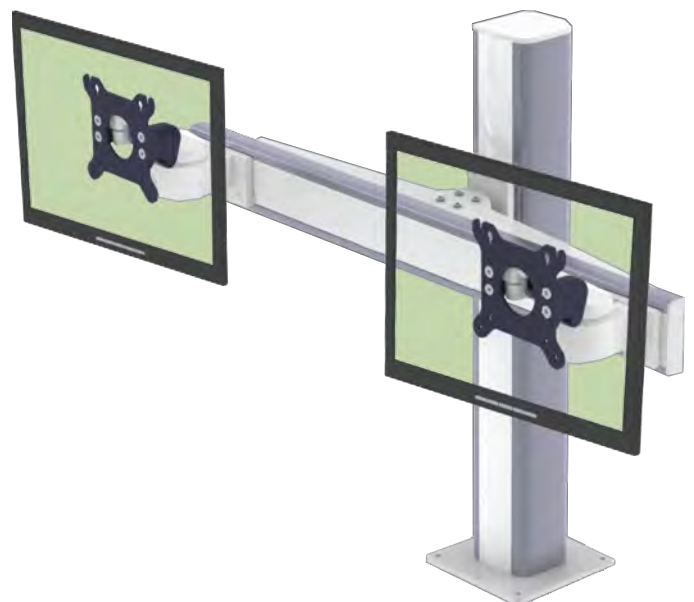
INDEX :

Medical Monitor arms fixing on work surface

Medical Monitor arms mounting on work surface overview	Page 4 - 12
Optional Accessories Overview	Page 56 - 57

Medical Monitor Arms Presentations and Data Sheets	Page 13 - 54
Optional Accessories Presentations and Data Sheets	Page 56- 110

Advantages of Medical Arms	Page 111 - 116
----------------------------------	----------------





Our Medical Products for screen

MEDICAL MONITOR ARMS FIXING ON WORK PLAN

Orient and position your screen effortlessly from your work plan

This product line has been designed to meet all the needs for multiple flat panel mounting experienced by many users in the healthcare industry. Medical monitor column arms help create a more spacious, quiet, ergonomic and individual medical workstation.

However, the medical column screens are not all identical. We offer several types of arms, each of which is intended for a specific application: 2, 4 screens and several column heights available.

We assist you in choosing the medical monitor arm that best suits your needs. Position your LCD screen at the height appropriate for your viewing comfort.

We have all the solutions and offer the widest choice of professional medical media systems compatible with the widest possible range of medical and computer displays.



Medical Monitor arms fixing on work surface

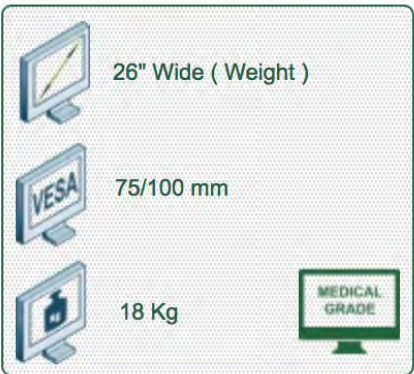
Tubular Medical Arms for 1 screen to screw on to the work surface

OVERVIEW



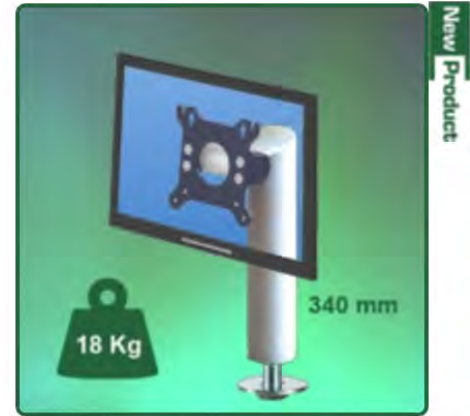
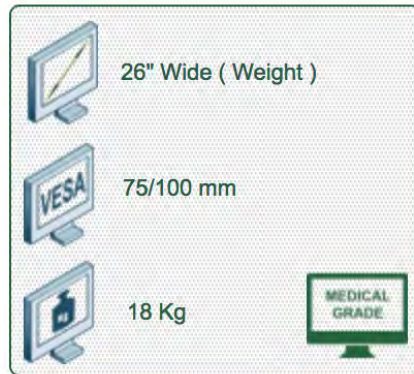
Medical Tubular arm of 220 mm for screen, to be screwed on worktop

Part Number: 996.113



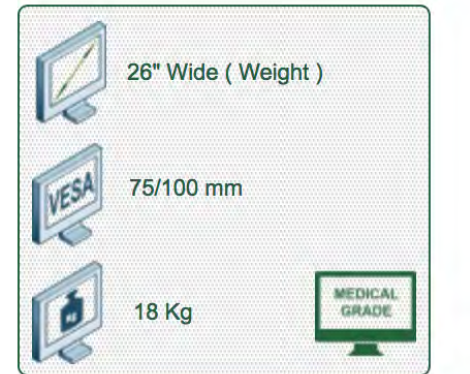
Medical Tubular arm of 280 mm for screen, to be screwed on worktop

Part Number: 996.114



Medical Tubular arm of 340 mm for screen, to be screwed on worktop

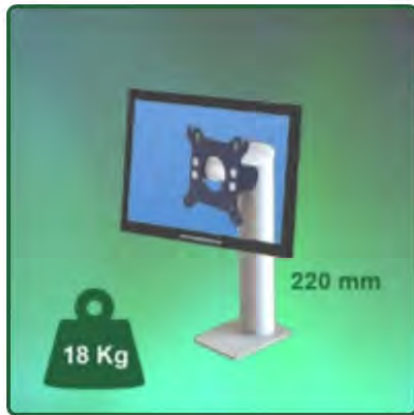
Part Number: 996.115



Medical Monitor arms fixing on work surface

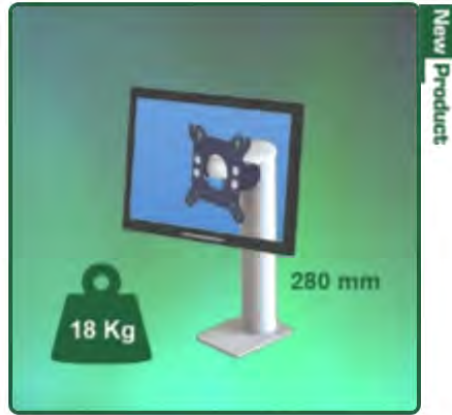
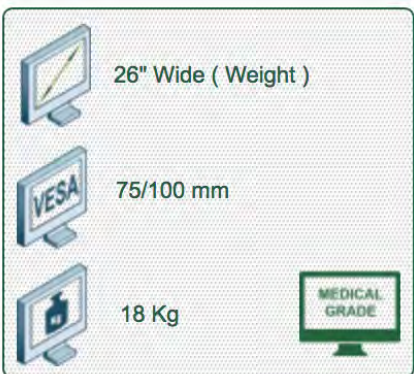
Tubular Medical Arms for 1 screen to be fixed on the work surface

OVERVIEW



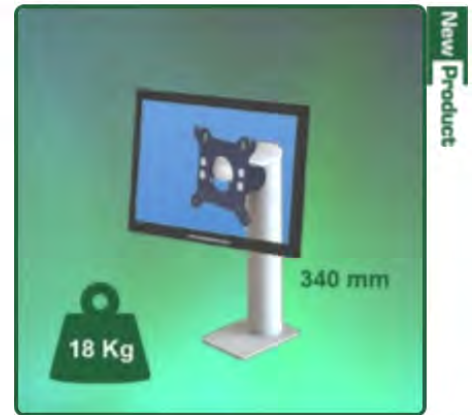
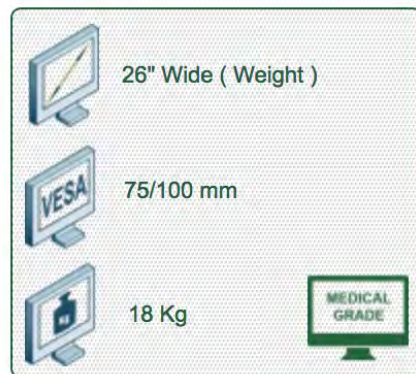
Tubular Medical Arm 220 mm for worktop fixation

Part Number: 996.100



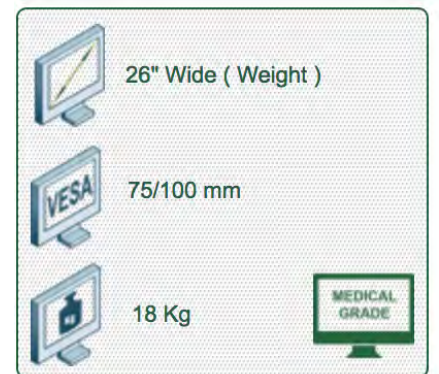
Tubular Medical Arm 280 mm for worktop fixation

Part Number: 996.101



Tubular Medical Arm 340 mm for worktop fixation

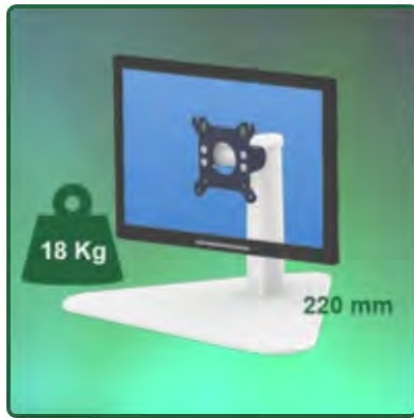
Part Number: 996.102



Medical Monitor arms fixing on work surface

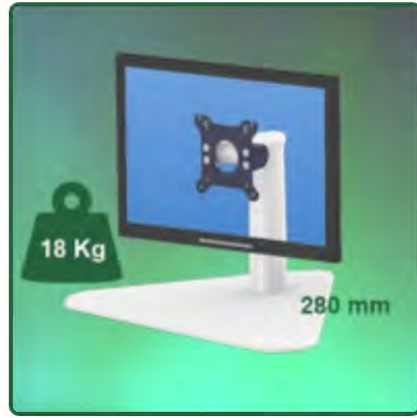
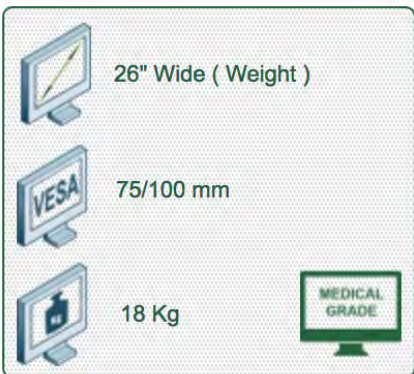
Tubular Medical Arms for 1 screen to be placed on a work surface

OVERVIEW



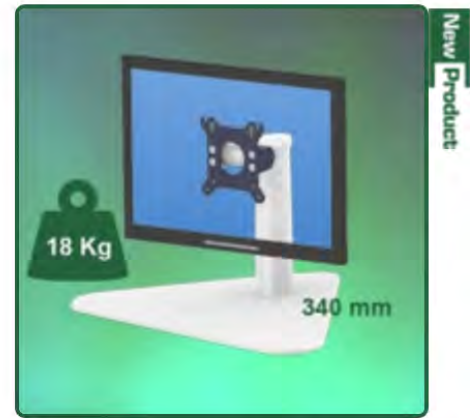
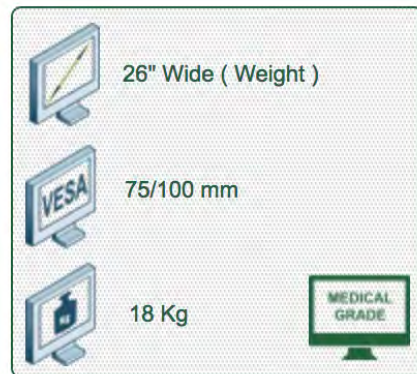
Medical Tubular arm of 220 mm for screen, to pose, on work plan

Part Number: 996.103



Medical Tubular arm of 280 mm for screen, to pose, on work plan

Part Number: 996.104



Medical Tubular arm of 340 mm for screen, to pose, on work plan

Part Number: 996.105



Medical Monitor arms fixing on work surface

Medical arms HD stands for 1 display to be fixed or placed on a work surface

OVERVIEW



New Product



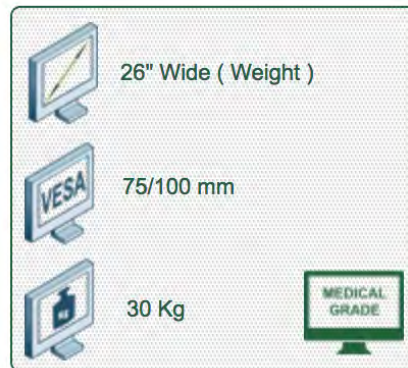
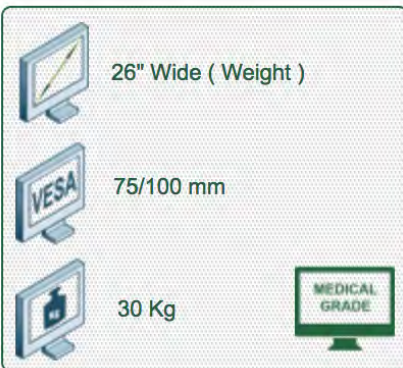
New Product

Medical Arm Stand HD 340 mm
for screen
worktop fixation

Part Number: 996.106

Medical Arm Stand HD 340 mm for
screen, to be placed on the work
surface

Part Number: 996.107







Medical Monitor arms fixing on work surface
Medical Monitor arms height-adjustable fixed on a work surface
OVERVIEW



New Product

Medical Arm for screen,
Adjustable in height,
fixing on worktop

Part Number: 996.108





 26" Wide (Weight)
 75/100 mm
 3 - 8 Kg
 



New Product

Medical Arm for screen,
Adjustable in height,
fixing on worktop

Part Number: 996.109





 26" Wide (Weight)
 75/100 mm
 5 - 11 Kg
 



New Product

Medical Arm for screen,
Adjustable in height,
fixing on worktop

Part Number: 996.110

 26" Wide (Weight)
 75/100 mm
 9 - 14 Kg
 

Medical Monitor arms fixing on work surface

Medical Monitor arms height-adjustable fixed on a work surface

OVERVIEW



Medical Arm for screen,
Adjustable in height,
fixing on worktop

Part Number: 996.111

Medical Arm for screen,
Adjustable in height,
fixing on worktop

Part Number: 996.112

26" Wide (Weight)

VESA 75/100 mm

13 - 18 Kg

MEDICAL GRADE

26" Wide (Weight)

VESA 75/100 mm

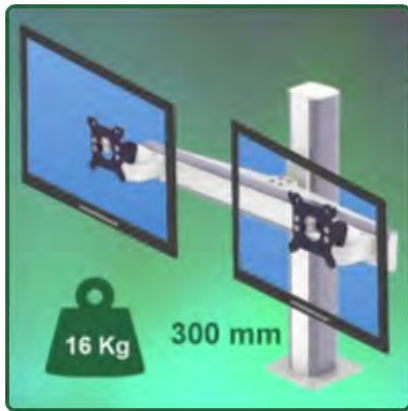
16 - 22 Kg

MEDICAL GRADE

Medical Monitor arms fixing on work surface

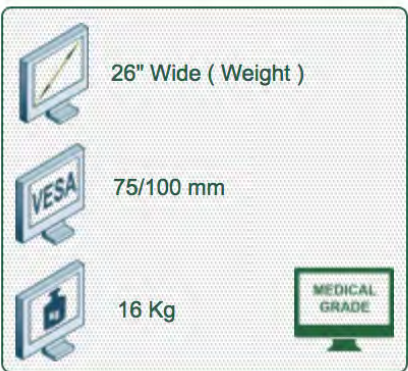
Medical Column Arms for 2 screens mounted on work surface

OVERVIEW



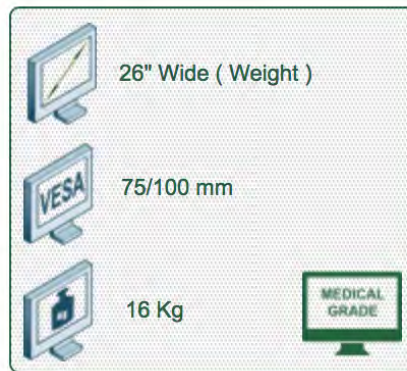
300 mm Medical Column Arm for 2 screens on worktop

Part Number: 996.116



500 mm Medical Column Arm for 2 screens on worktop

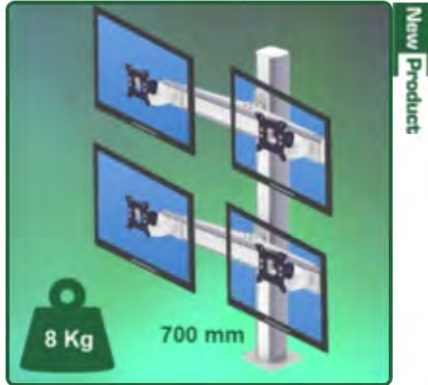
Part Number: 996.117



Medical Monitor arms fixing on work surface

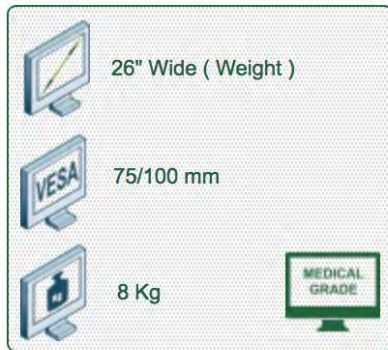
Medical Column Arms for 4 screens mounted on work surface

OVERVIEW



700 mm Medical Column Arm for 4 screens on worktop

Part Number: 996.120



Medical Monitor arms fixing on work surface

Medical Column Arms for 4 screens Back-to-back mounting on work surface

OVERVIEW



New Product



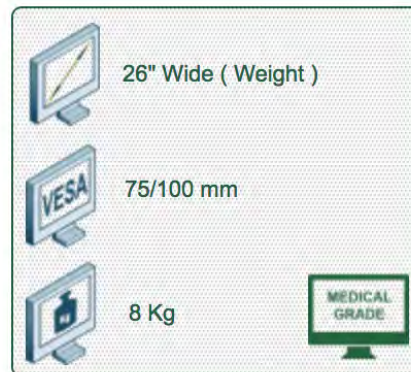
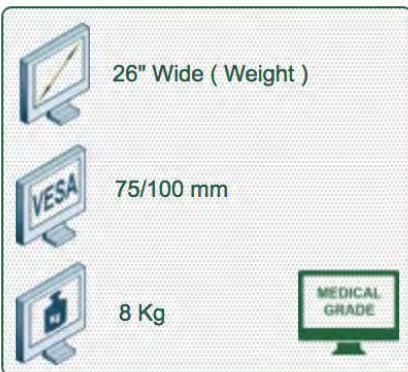
New Product

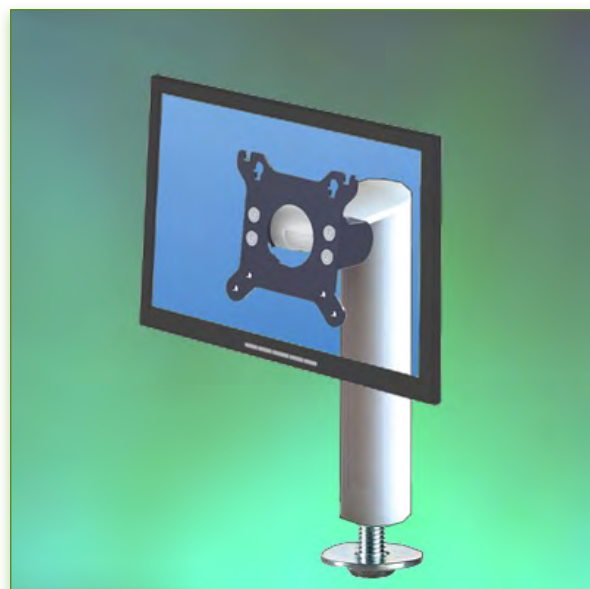
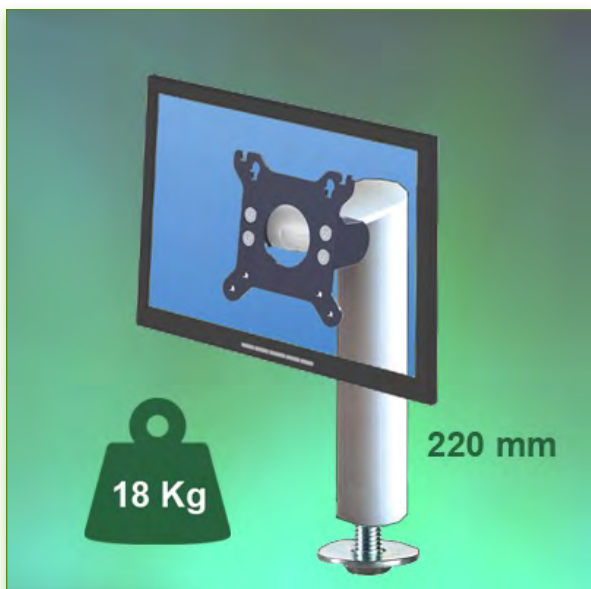
Medical Column Arm 300 mm
for 4 screens back to back,
worktop mounting

Part Number: 996.123

Medical Column Arm 500 mm
for 4 screens back to back,
worktop mounting

Part Number: 996.124





Display compatibility: 26" Wide (weight)
 Supported Weight: 18 Kg
 VESA standard: 75 / 100 mm
 Arm height: 220 mm

Medical Tubular Arm, 220 mm for display to be screwed on worktop

This 220 mm high Tubular Arm allows you to perfectly fix, orient and adjust an LCD screen.

It is covered with an anti-microbial agent providing hygiene and cleaning in every detail.

Its modern design has been specially designed for healthcare environments.

Technical characteristics:

- * Integrated cable entry
- * Screw-in mounting through the desk \varnothing 10 to 70mm
- * It complies with the screen mounting standard: VESA MIS-D 75 mm and 100 mm.
- * Compatible with screens up to 18 kg in weight.
- * Touch screen stability.
- * Screen tilt: 30° forward, 90° backward
- * Screen head rotation: 35° right, 35° left.
- * Arm height: 220 mm
- * Compatible with multimedia terminals (TMM)
- * Color RAL 7024 (Graphite grey and White)
- * All our medical arms are in compliance: CE, ROHS, Medical Grade, Regulations MDD 93/42 ECC.
- * Warranty: 5 years

* Note: This arm can also be installed on any flat surface medical device.



Do not hesitate to contact us if you have any questions about this product.

Warranty: 5 years

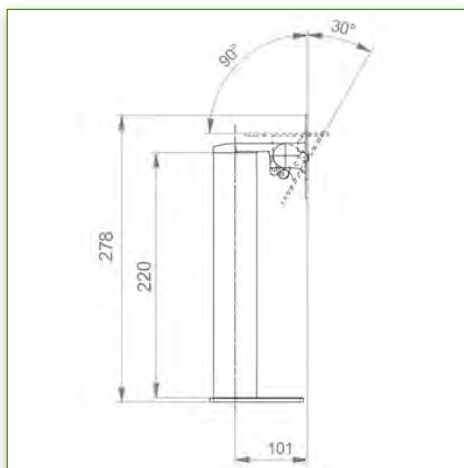
000.996.113

Graphite Grey and White

On Measure

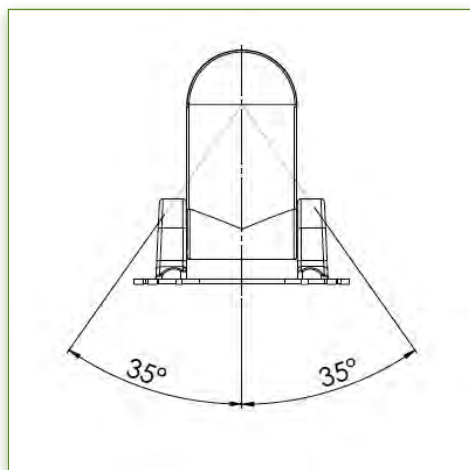
= Depending on the elements

996.113



Display compatibility: 26" Wide (weight)
 Supported Weight: 18 Kg
 VESA standard: 75 / 100 mm
 Arm height: 220 mm

Jusque 26" Wide (weight)
 75/100 mm
 18 Kg
MEDICAL GRADE

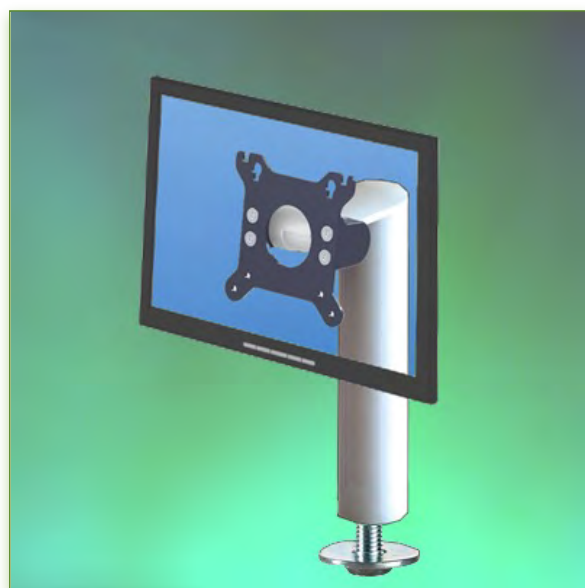


Do not hesitate to contact us if you have any questions about this product.

- Warranty: 5 years
- 000.996.113
- Graphite Grey and White
- On Measure
- = Depending on the elements
- 996.113


Anti-bacterial properties:

IT medical arms are now designed with Microban antibacterial protection, a revolutionary treatment that guarantees optimal hygiene. IT medical arms integrate Microban and other antibacterial agents into all medical products. It inhibits the growth of bacteria of all types. This is not a surface treatment. It is 100% in the totality of the product. It does not alter the physico-mechanical properties of the medical arm lift system. Simulations over 30 years show that 100% of the antibacterial properties are maintained. All medical articulated arms incorporate Microban. Microban is the world's leading provider of anti-bacterial solutions. It has been successfully applied for more than 35 years in a wide range of products used in the hospital, construction and food industries.




Display compatibility: 26" Wide (weight)
Supported Weight: 18 Kg
VESA standard: 75 / 100 mm
Arm height: 280 mm


 Up to 26" Wide (Weight)
 75/100 mm
 18 Kg
 **MEDICAL GRADE**

 Do not hesitate to contact us if you have any questions about this product.

 **Warranty: 5 years**

 000.996.114

 Graphite Grey and White

 On Measure

 - Depending on the elements

 996.114

Medical Tubular Arm, 280 mm for display to be screwed on worktop

This 280 mm high Tubular Arm allows you to perfectly fix, orient and adjust an LCD screen.

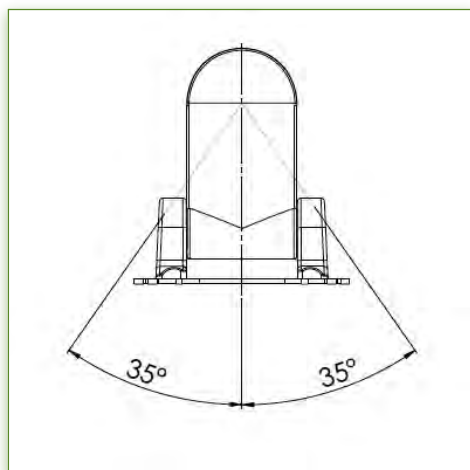
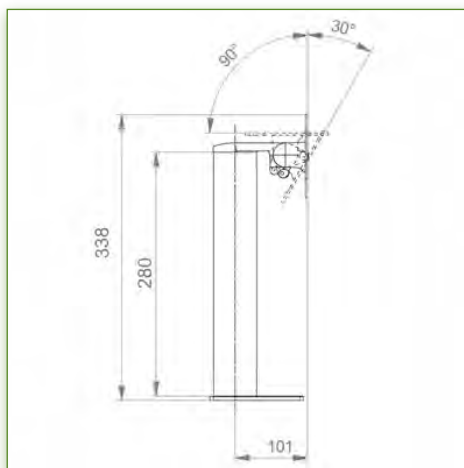
It is covered with an anti-microbial agent providing hygiene and cleaning in every detail.

Its modern design has been specially designed for healthcare environments.

Technical characteristics:

- * Integrated cable entry
- * Screw-in mounting through the desk \varnothing 10 to 70mm
- * It complies with the screen mounting standard: VESA MIS-D 75 mm and 100 mm.
- * Compatible with screens up to 18 kg in weight.
- * Touch screen stability.
- * Screen tilt: 30° forward, 90° backward
- * Screen head rotation: 35° right, 35° left.
- * Arm height: 280 mm
- * Compatible with multimedia terminals (TMM)
- * Color RAL 7024 (Graphite grey and White)
- * All our medical arms are in compliance: CE, ROHS, Medical Grade, Regulations MDD 93/42 ECC.
- * Warranty: 5 years

* Note: This arm can also be installed on any flat surface medical device.



Display compatibility: 26" Wide (weight)
Supported Weight: 18 Kg
VESA standard: 75 / 100 mm
Arm height: 280 mm

Up to 26" Wide (Weight)

VESA 75/100 mm

18 Kg

MEDICAL GRADE



Do not hesitate to contact us if you have any questions about this product.

Warranty: 5 years

000.996.114

Graphite Grey and White

On Measure

= Depending on the elements

996.114

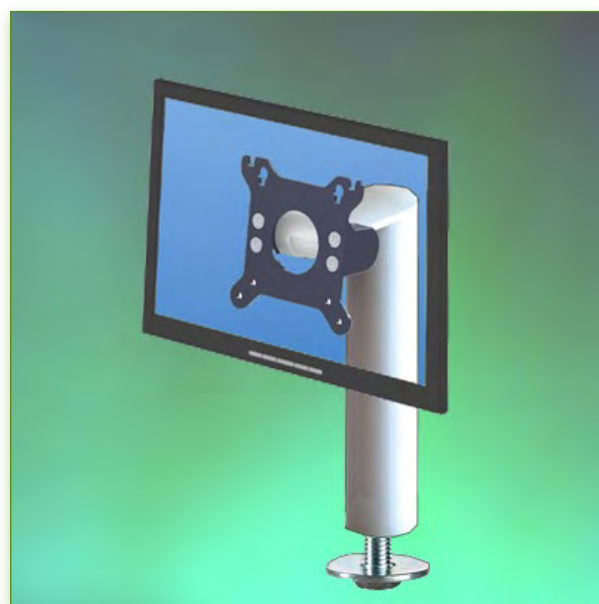
Anti-bacterial properties:

IT medical arms are now designed with Microban antibacterial protection, a revolutionary treatment that guarantees optimal hygiene. IT medical arms integrate Microban and other antibacterial agents into all medical products. It inhibits the growth of bacteria of all types. This is not a surface treatment.

It is 100% in the totality of the product.


It does not alter the physico-mechanical properties of the medical arm lift system. Simulations over 30 years show that 100% of the antibacterial properties are maintained.

All medical articulated arms incorporate Microban. Microban is the world's leading provider of anti-bacterial solutions. It has been successfully applied for more than 35 years in a wide range of products used in the hospital, construction and food industries.



Display compatibility: 26" Wide (weight)
Supported Weight: 18 Kg
VESA standard: 75 / 100 mm
Arm height: 340 mm




 Do not hesitate to contact us if you have any questions about this product.

 Warranty: 5 years

 000.996.115

 Graphite Grey and White

 On Measure

 = Depending on the elements

 996.115

Medical Tubular Arm, 340 mm for display to be screwed on worktop

This 340 mm high Tubular Arm allows you to perfectly fix, orient and adjust an LCD screen.

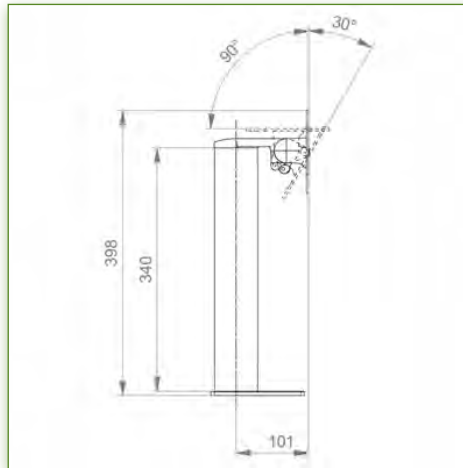
It is covered with an anti-microbial agent providing hygiene and cleaning in every detail.

Its modern design has been specially designed for healthcare environments.

Technical characteristics:

- * Integrated cable entry
- * Screw-in mounting through the desk \varnothing 10 to 70mm
- * It complies with the screen mounting standard: VESA MIS-D 75 mm and 100 mm.
- * Compatible with screens up to 18 kg in weight.
- * Touch screen stability.
- * Screen tilt: 30° forward, 90° backward
- * Screen head rotation: 35° right, 35° left.
- * Arm height: 340 mm
- * Compatible with multimedia terminals (TMM)
- * Color RAL 7024 (Graphite grey and White)
- * All our medical arms are in compliance: CE, ROHS, Medical Grade, Regulations MDD 93/42 ECC.
- * Warranty: 5 years

* Note: This arm can also be installed on any flat surface medical device.



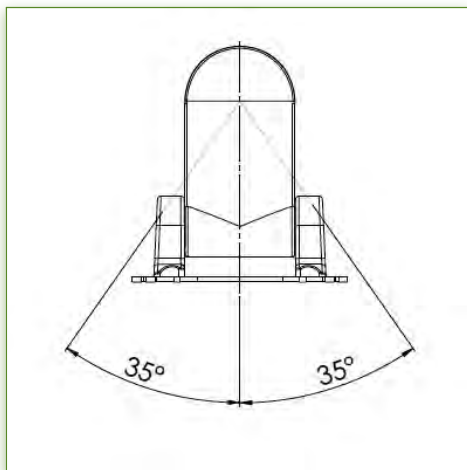
Display compatibility: 26" Wide (weight)
 Supported Weight: 18 Kg
 VESA standard: 75 / 100 mm
 Arm height: 340 mm

Up to 26" Wide (Weight)

VESA 75/100 mm

18 Kg

MEDICAL GRADE



Do not hesitate to contact us if you have any questions about this product.

Warranty: 5 years

000.996.115

Graphite Grey and White

On Measure

= Depending on the elements

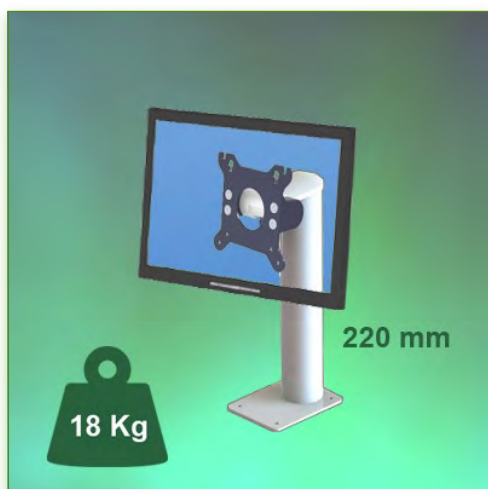
996.115

Anti-bacterial properties:

IT medical arms are now designed with Microban antibacterial protection, a revolutionary treatment that guarantees optimal hygiene. IT medical arms integrate Microban and other antibacterial agents into all medical products. It inhibits the growth of bacteria of all types. This is not a surface treatment.


It is 100% in the totality of the product. It does not alter the physico-mechanical properties of the medical arm lift system. Simulations over 30 years show that 100% of the antibacterial properties are maintained.

All medical articulated arms incorporate Microban. Microban is the world's leading provider of anti-bacterial solutions. It has been successfully applied for more than 35 years in a wide range of products used in the hospital, construction and food industries.



Display compatibility: 26" Wide (weight)
 Supported Weight: 18 Kg
 VESA standard: 75 / 100 mm
 Arm height: 220 mm

 Up to 26" Wide (Weight)
 75/100 mm
 18 Kg
 **MEDICAL GRADE**

 Do not hesitate to contact us if you have any questions about this product.

 **Warranty: 5 years**

 000.996.100

 Graphite Grey and White

 On Measure

 = Depending on the elements

 996.100

Medical Tubular Arm, 220 mm, for display, worktop mounting

This 220 mm high Tubular Arm allows you to perfectly fix, orient and adjust an LCD screen.

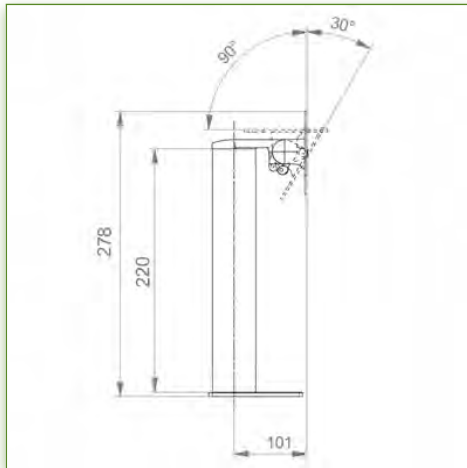
It is covered with an anti-microbial agent providing hygiene and cleaning in every detail.

Its modern design has been specially designed for healthcare environments.

Technical specifications:

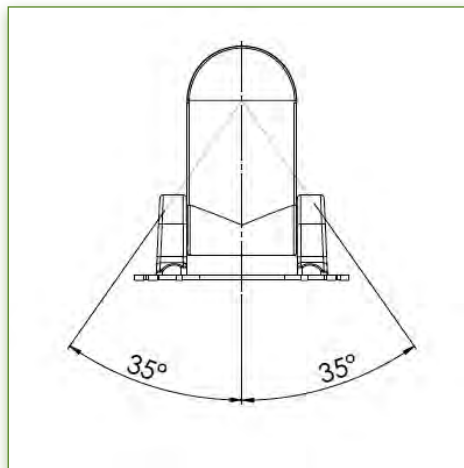
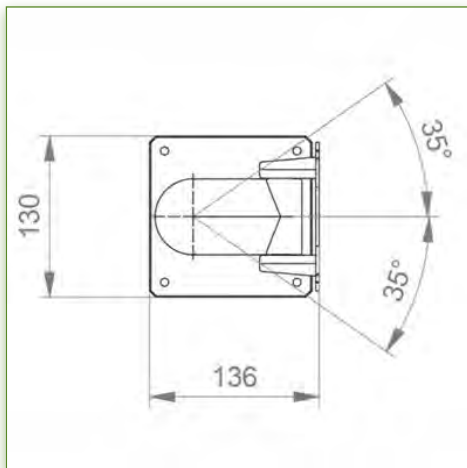
- * Integrated cable entry
- * Attachment to the worktop by four screws (Ø 0.65 mm x 4)
- * Rectangular base with small footprint 130 x 136 mm
- * It complies with the screen mounting standard: VESA MIS-D 75 mm and 100 mm.
- * Compatible with screens up to 18 kg in weight.
- * Touch screen stability.
- * Screen tilt: 30° forward, 90° backward
- * Screen head rotation: 35° right, 35° left.
- * Arm height: 220 mm
- * Compatible with multimedia terminals (TMM)
- * Color RAL 7024 (Graphite grey and White)
- * All our medical arms are in compliance: CE, ROHS, Medical Grade, Regulations MDD 93/42 ECC.
- * Warranty: 5 years

Note: This arm can also be installed on any flat surface medical device.



Display compatibility: 26" Wide (weight)
 Supported Weight: 18 Kg
 VESA standard: 75 / 100 mm
 Arm height: 220 mm

Up to 26" Wide (Weight)
 75/100 mm
 18 Kg
MEDICAL GRADE

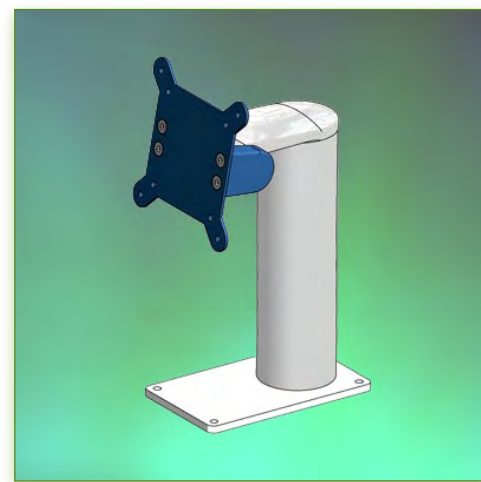
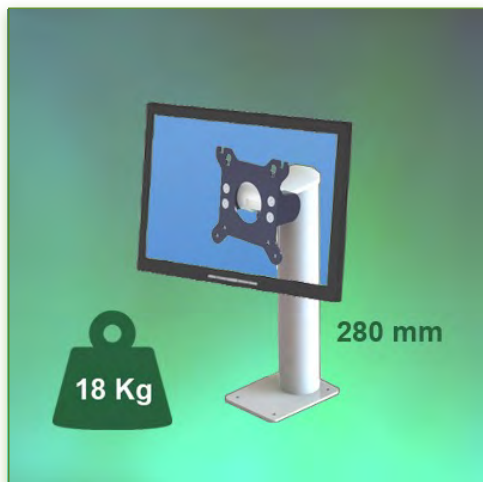


Do not hesitate to contact us if you have any questions about this product.

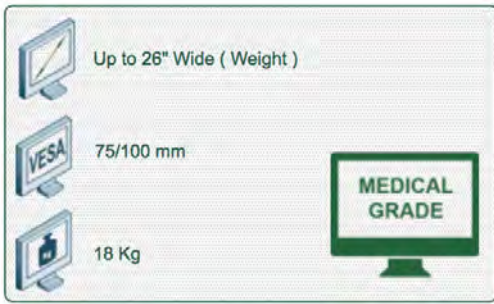
- Warranty: 5 years
- 000.996.100
- Graphite Grey and White
- On Measure
- = Depending on the elements
- 996.100

Anti-bacterial properties:


IT medical arms are now designed with Microban antibacterial protection, a revolutionary treatment that guarantees optimal hygiene. IT medical arms integrate Microban and other antibacterial agents into all medical products. It inhibits the growth of bacteria of all types. This is not a surface treatment. It is 100% in the totality of the product. It does not alter the physico-mechanical properties of the medical arm lift system. Simulations over 30 years show that 100% of the antibacterial properties are maintained. All medical articulated arms incorporate Microban. Microban is the world's leading provider of anti-bacterial solutions. It has been successfully applied for more than 35 years in a wide range of products used in the hospital, construction and food industries.



Display compatibility: 26" Wide (weight)
Supported Weight: 18 Kg
VESA standard: 75 / 100 mm
Arm height: 280 mm



Up to 26" Wide (Weight)
75/100 mm
18 Kg
MEDICAL GRADE


 Do not hesitate to contact us if you have any questions about this product.

 Warranty: 5 years

 000.996.101

 Graphite Grey and White

 On Measure

 = Depending on the elements

 996.101

Medical Tubular Arm, 280 mm, for display, worktop mounting

This 280 mm high Tubular Arm allows you to perfectly fix, orient and adjust an LCD screen.

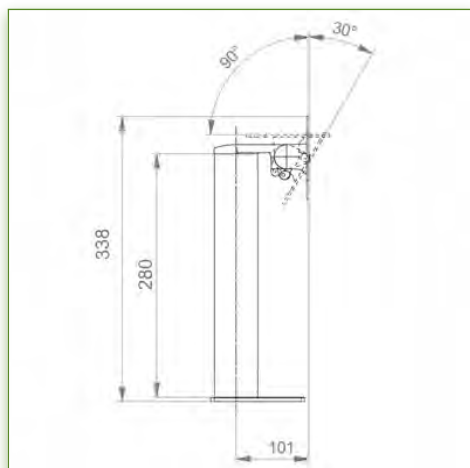
It is covered with an anti-microbial agent providing hygiene and cleaning in every detail.

Its modern design has been specially designed for healthcare environments.

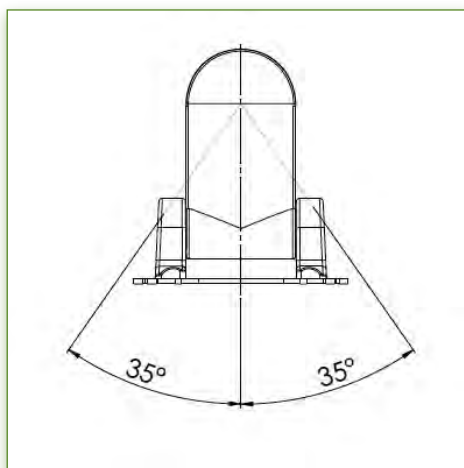
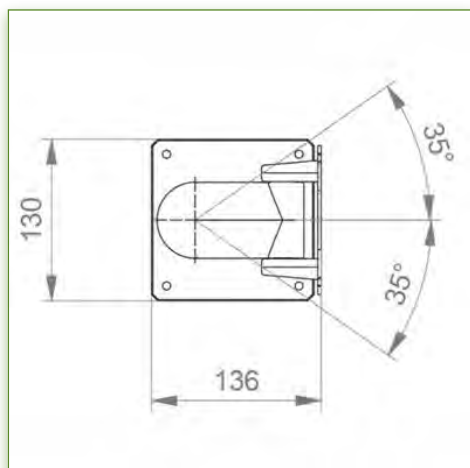
Technical specifications:

- * Integrated cable entry
- * Attachment to the worktop by four screws (Ø 0.65 mm x 4)
- * Rectangular base with small footprint 130 x 136 mm
- * It complies with the screen mounting standard: VESA MIS-D 75 mm and 100 mm.
- * Compatible with screens up to 18 kg in weight.
- * Touch screen stability.
- * Screen tilt: 30° forward, 90° backward
- * Screen head rotation: 35° right, 35° left.
- * Arm height: 280 mm
- * Compatible with multimedia terminals (TMM)
- * Color RAL 7024 (Graphite grey and White)
- * All our medical arms are in compliance: CE, ROHS, Medical Grade, Regulations MDD 93/42 ECC.
- * Warranty: 5 years

Note: This arm can also be installed on any flat surface medical device.



Display compatibility: 26" Wide (weight)
 Supported Weight: 18 Kg
 VESA standard: 75 / 100 mm
 Arm height: 280 mm



Do not hesitate to contact us if you have any questions about this product.

Warranty: 5 years

000.996.101

Graphite Grey and White

On Measure

= Depending on the elements

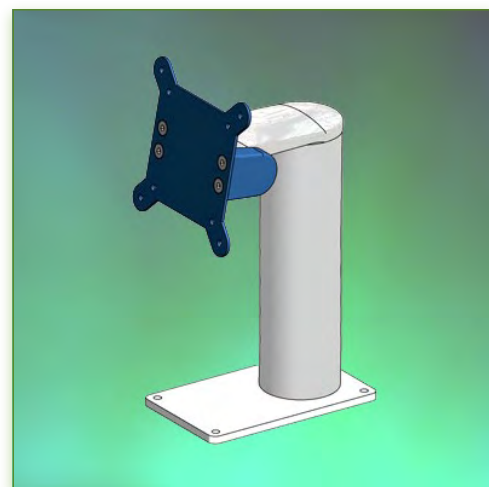
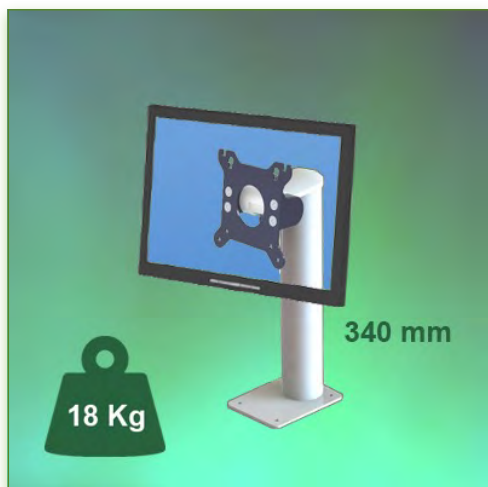
996.101

Anti-bacterial properties:

IT medical arms are now designed with Microban antibacterial protection, a revolutionary treatment that guarantees optimal hygiene. IT medical arms integrate Microban and other antibacterial agents into all medical products. It inhibits the growth of bacteria of all types. This is not a surface treatment.


It is 100% in the totality of the product. It does not alter the physico-mechanical properties of the medical arm lift system. Simulations over 30 years show that 100% of the antibacterial properties are maintained.

All medical articulated arms incorporate Microban. Microban is the world's leading provider of anti-bacterial solutions. It has been successfully applied for more than 35 years in a wide range of products used in the hospital, construction and food industries.



Screen Compatibility: 26" Wide (weight)
 Supported Weight: 18 Kg
 VESA standard: 75 / 100 mm
 Arm height: 340 mm



 Do not hesitate to contact us if you have any questions about this product.

 Warranty: 5 years

 000.996.102

 Graphite Grey and White

 On Measure

 = Depending on the elements

 996.102

Medical Tubular Arm, 340 mm, for display, worktop mounting

This 340 mm high Tubular Arm allows you to perfectly fix, orient and adjust an LCD screen.

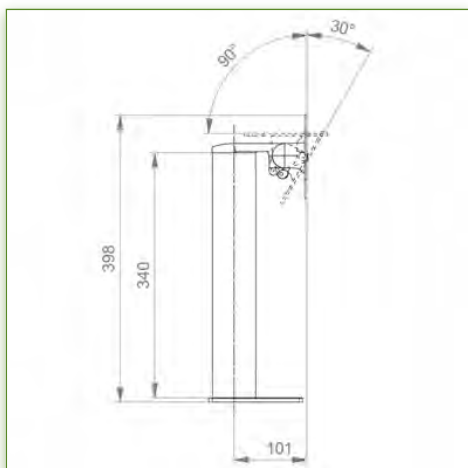
It is covered with an anti-microbial agent providing hygiene and cleaning in every detail.

Its modern design has been specially designed for healthcare environments.

Technical specifications:

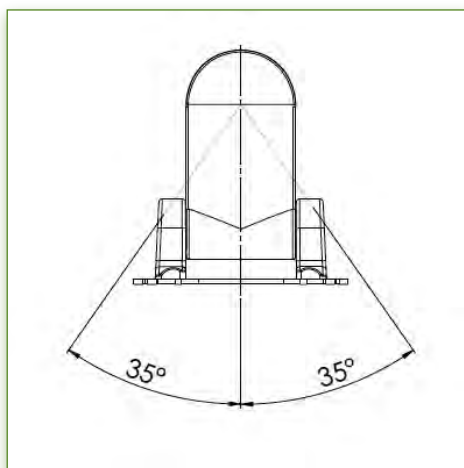
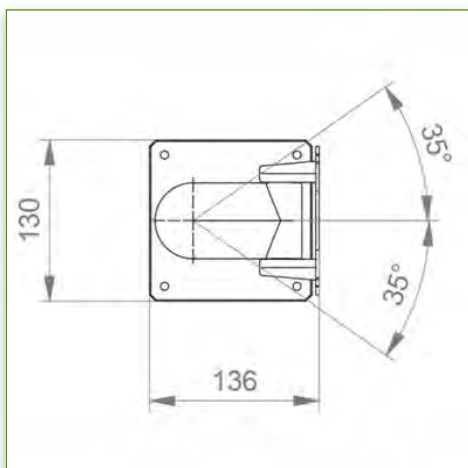
- * Integrated cable entry
- * Attachment to the worktop by four screws (Ø 0.65 mm x 4)
- * Rectangular base with small footprint 130 x 136 mm
- * It complies with the screen mounting standard: VESA MIS-D 75 mm and 100 mm.
- * Compatible with screens up to 18 kg in weight.
- * Touch screen stability.
- * Screen tilt: 30° forward, 90° backward
- * Screen head rotation: 35° right, 35° left.
- * Arm height: 340 mm
- * Compatible with multimedia terminals (TMM)
- * Color RAL 7024 (Graphite grey and White)
- * All our medical arms are in compliance: CE, ROHS, Medical Grade, Regulations MDD 93/42 ECC.
- * Warranty: 5 years

Note: This arm can also be installed on any flat surface medical device.



Screen Compatibility: 26" Wide (weight)
 Supported Weight: 18 Kg
 VESA standard: 75 / 100 mm
 Arm height: 340 mm

Up to 26" Wide (Weight)
 75/100 mm
 18 Kg



Do not hesitate to contact us if you have any questions about this product.

Warranty: 5 years

000.996.102

Graphite Grey and White

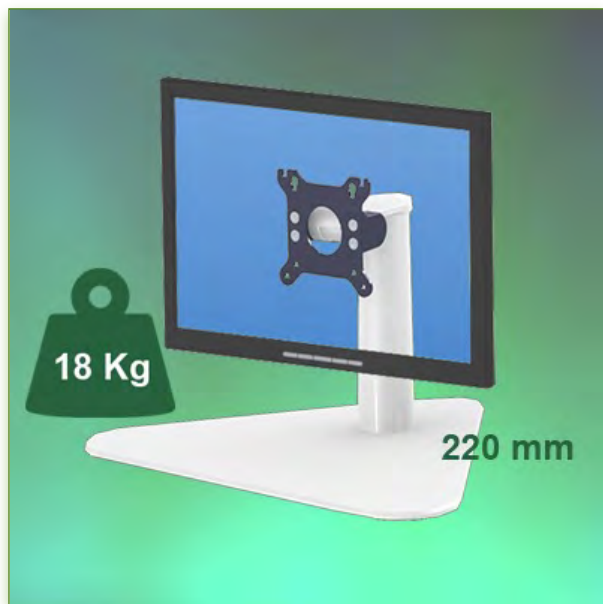
On Measure

= Depending on the elements

996.102

Anti-bacterial properties:

IT medical arms are now designed with Microban antibacterial protection, a revolutionary treatment that guarantees optimal hygiene. IT medical arms integrate Microban and other antibacterial agents into all medical products. It inhibits the growth of bacteria of all types. This is not a surface treatment. It is 100% in the totality of the product. It does not alter the physico-mechanical properties of the medical arm lift system. Simulations over 30 years show that 100% of the antibacterial properties are maintained. All medical articulated arms incorporate Microban. Microban is the world's leading provider of anti-bacterial solutions. It has been successfully applied for more than 35 years in a wide range of products used in the hospital, construction and food industries.



Display compatibility: 26" Wide (weight)
Supported Weight: 18 Kg
VESA standard: 75 / 100 mm
Arm height: 220 mm

Medical Tubular Arm, 220 mm for display to be placed on a work surface

This 220 mm high trapezoidal free-form Tubular Arm allows you to perfectly fix, orient and adjust an LCD screen.

It is covered with an anti-microbial agent providing hygiene and cleaning in every detail.


Its modern design has been specially designed for healthcare environments.

Technical specifications:

- * Integrated cable entry
- * Free trapezoidal design base: 305 x 364 mm
- * It complies with the screen mounting standard: VESA MIS-D 75 mm and 100 mm.
- * Compatible with screens up to 18 kg in weight.
- * Touch screen stability.
- * Screen tilt: 30° forward, 90° backward
- * Screen head rotation: 35° right, 35° left.
- * Arm height: 220 mm
- * Compatible with multimedia terminals (TMM)
- * Color RAL 7024 (Graphite grey and White)
- * All our medical arms are in compliance: CE, ROHS, Medical Grade, Regulations MDD 93/42 ECC.
- * Warranty: 5 years

* Note: This arm can also be installed on any flat surface medical device.



 Do not hesitate to contact us if you have any questions about this product.

 Warranty: 5 years

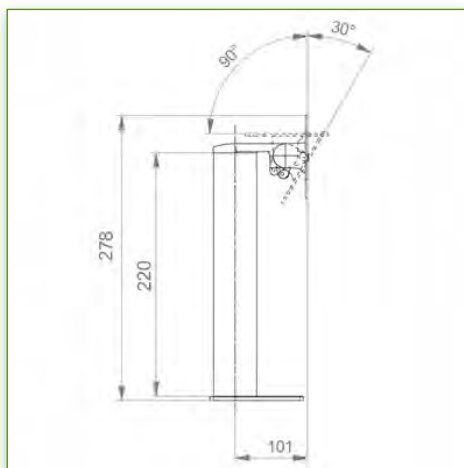
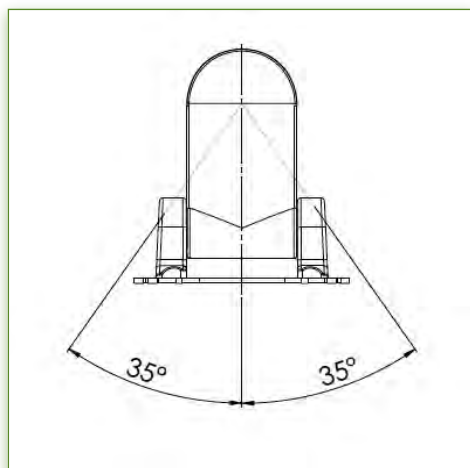
 000.996.103

 Graphite Grey and White

 On Measure

 = Depending on the elements

 996.103

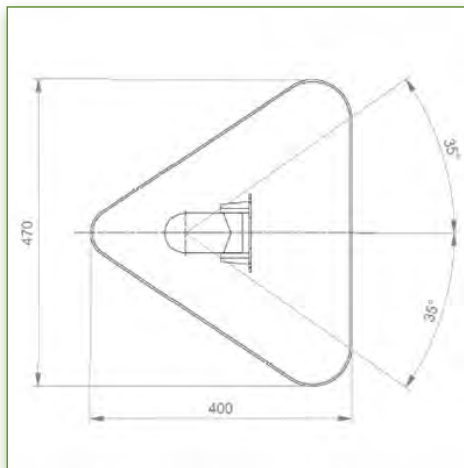
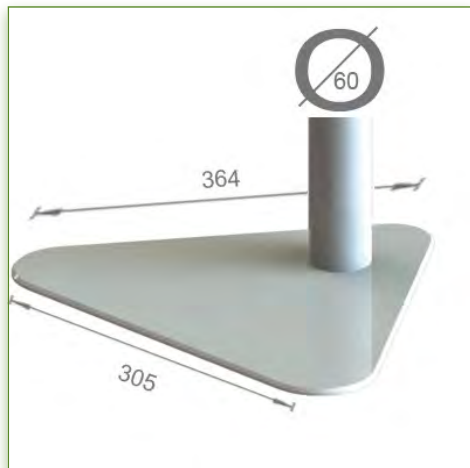


Display compatibility: 26" Wide (weight)
 Supported Weight: 18 Kg
 VESA standard: 75 / 100 mm
 Arm height: 220 mm

Up to 26" Wide (Weight)
 75/100 mm
 18 Kg



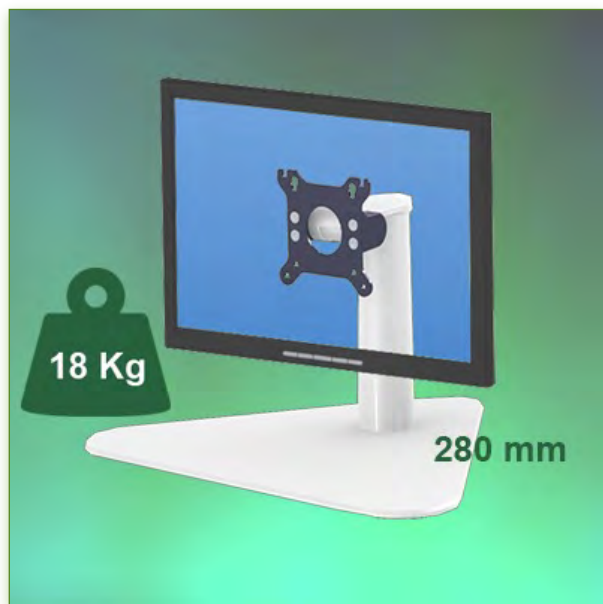
N'hésitez pas de nous contacter si vous avez des questions au sujet de ce produit.



- Warranty: 5 years
- 000.996.103
- Graphite Grey and White
- On Measure
- = Depending on the elements
- 996.103

Anti-bacterial properties:

IT medical arms are now designed with Microban antibacterial protection, a revolutionary treatment that guarantees optimal hygiene. IT medical arms integrate Microban and other antibacterial agents into all medical products. It inhibits the growth of bacteria of all types. This is not a surface treatment. It is 100% in the totality of the product. It does not alter the physico-mechanical properties of the medical arm lift system. Simulations over 30 years show that 100% of the antibacterial properties are maintained. All medical articulated arms incorporate Microban. Microban is the world's leading provider of anti-bacterial solutions. It has been successfully applied for more than 35 years in a wide range of products used in the hospital, construction and food industries.



Display compatibility: 26" Wide (weight)
 Supported Weight: 18 Kg
 VESA standard: 75 / 100 mm
 Arm height: 280 mm

Medical Tubular Arm, 280 mm for display to be placed on a work surface

This 280 mm high trapezoidal free-form Tubular Arm allows you to perfectly fix, orient and adjust an LCD screen.

It is covered with an anti-microbial agent providing hygiene and cleaning in every detail.


Its modern design has been specially designed for healthcare environments.

Technical specifications:

- * Integrated cable entry
- * Free trapezoidal design base: 305 x 364 mm
- * It complies with the screen mounting standard: VESA MIS-D 75 mm and 100 mm.
- * Compatible with screens up to 18 kg in weight.
- * Touch screen stability.
- * Screen tilt: 30° forward, 90° backward
- * Screen head rotation: 35° right, 35° left.
- * Arm height: 280 mm
- * Compatible with multimedia terminals (TMM)
- * Color RAL 7024 (Graphite grey and White)
- * All our medical arms are in compliance: CE, ROHS, Medical Grade, Regulations MDD 93/42 ECC.
- * Warranty: 5 years

* Note: This arm can also be installed on any flat surface medical device.



 Do not hesitate to contact us if you have any questions about this product.

 Warranty: 5 years

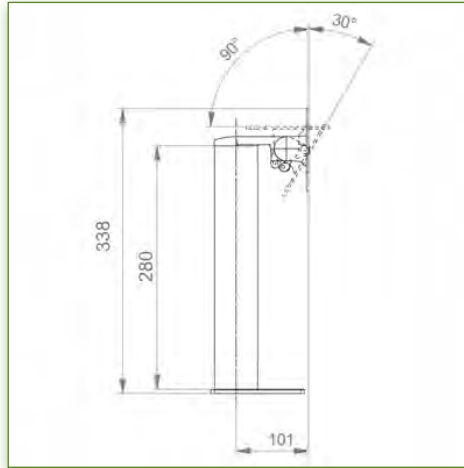
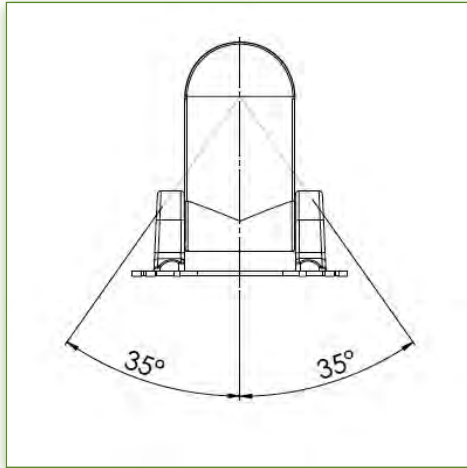
 000.996.104

 Graphite Grey and White

 On Measure

 = Depending on the elements

 996.104



Display compatibility: 26" Wide (weight)
 Supported Weight: 18 Kg
 VESA standard: 75 / 100 mm
 Arm height: 280 mm



Medical Grade



Do not hesitate to contact us if you have any questions about this product.



Warranty: 5 years



000.996.104



Graphite Grey and White



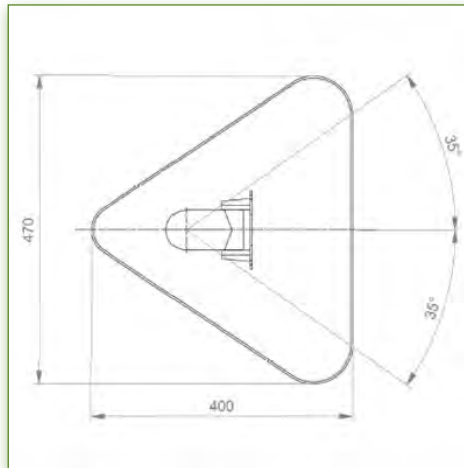
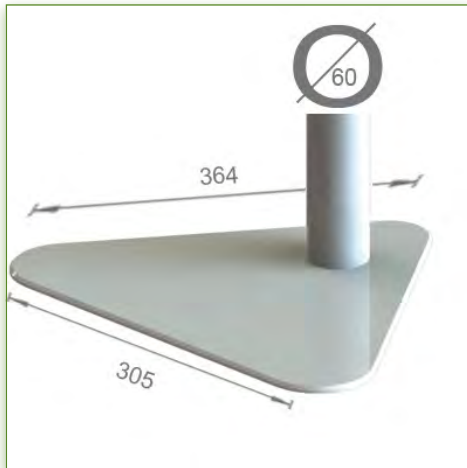
On Measure



= Depending on the elements



996.104



Anti-bacterial properties:

IT medical arms are now designed with Microban antibacterial protection, a revolutionary treatment that guarantees optimal hygiene. IT medical arms integrate Microban and other antibacterial agents into all medical products. It inhibits the growth of bacteria of all types. This is not a surface treatment.

It is 100% in the totality of the product.

It does not alter the physico-mechanical properties of the medical arm lift system. Simulations over 30 years show that 100% of the antibacterial properties are maintained.

All medical articulated arms incorporate Microban. Microban is the world's leading provider of anti-bacterial solutions. It has been successfully applied for more than 35 years in a wide range of products used in the hospital, construction and food industries.



Display compatibility: 26" Wide (weight)
 Supported Weight: 18 Kg
 VESA standard: 75 / 100 mm
 Arm height: 340 mm

Up to 26" Wide (Weight)
 75/100 mm
 18 Kg
MEDICAL GRADE

Do not hesitate to contact us if you have any questions about this product.

Warranty: 5 years

000.996.105

Graphite Grey and White

On Measure

= Depending on the elements

996.105

Medical Tubular Arm, 340 mm for display to be placed on a work surface

This 340 mm high trapezoidal free-form Tubular Arm allows you to perfectly fix, orient and adjust an LCD screen.

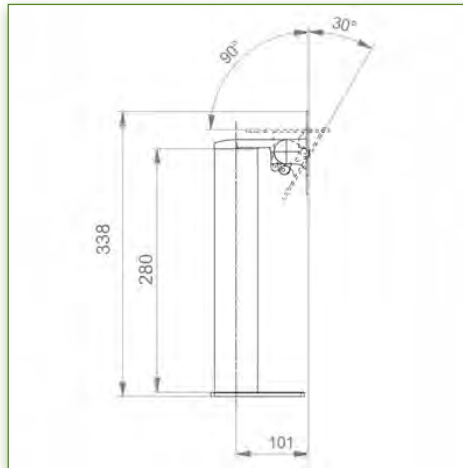
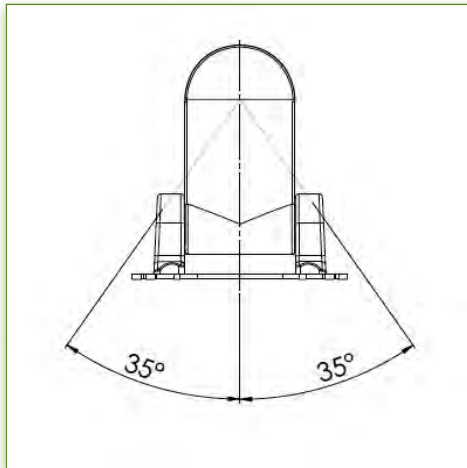
It is covered with an anti-microbial agent providing hygiene and cleaning in every detail.

Its modern design has been specially designed for healthcare environments.

Technical specifications:

- * Integrated cable entry
- * Free trapezoidal design base: 305 x 364 mm
- * It complies with the screen mounting standard: VESA MIS-D 75 mm and 100 mm.
- * Compatible with screens up to 18 kg in weight.
- * Touch screen stability.
- * Screen tilt: 30° forward, 90° backward
- * Screen head rotation: 35° right, 35° left.
- * Arm height: 340 mm
- * Compatible with multimedia terminals (TMM)
- * Color RAL 7024 (Graphite grey and White)
- * All our medical arms are in compliance: CE, ROHS, Medical Grade, Regulations MDD 93/42 ECC.
- * Warranty: 5 years

* Note: This arm can also be installed on any flat surface medical device.

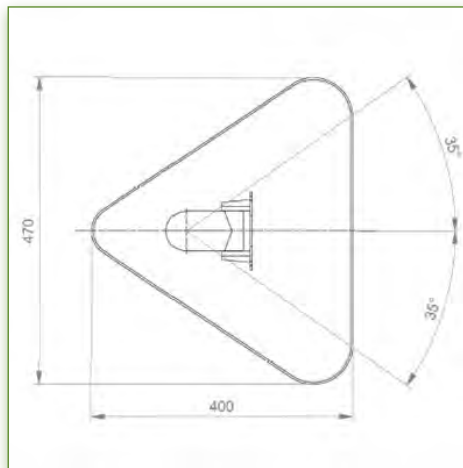
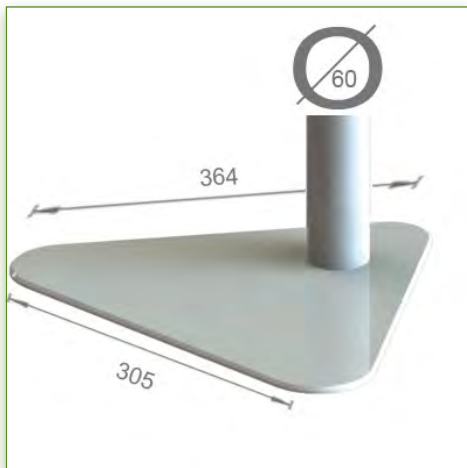


Display compatibility: 26" Wide (weight)
 Supported Weight: 18 Kg
 VESA standard: 75 / 100 mm
 Arm height: 340 mm

Up to 26" Wide (Weight)
 75/100 mm
 18 Kg



Do not hesitate to contact us if you have any questions about this product.



- Warranty: 5 years
- 000.996.105
- Graphite Grey and White
- On Measure
- = Depending on the elements
- 996.105

Anti-bacterial properties:

IT medical arms are now designed with Microban antibacterial protection, a revolutionary treatment that guarantees optimal hygiene. IT medical arms integrate Microban and other antibacterial agents into all medical products. It inhibits the growth of bacteria of all types. This is not a surface treatment. It is 100% in the totality of the product. It does not alter the physico-mechanical properties of the medical arm lift system. Simulations over 30 years show that 100% of the antibacterial properties are maintained. All medical articulated arms incorporate Microban. Microban is the world's leading provider of anti-bacterial solutions. It has been successfully applied for more than 35 years in a wide range of products used in the hospital, construction and food industries.



Display compatibility: 26" Wide (weight)
 Supported Weight: 30 Kg
 VESA standard: 75 / 100 mm
 Arm height: 340 mm

Medical Monitor Stand HD 340 mm work surface mount

This 340 mm high HD Stand Arm allows you to fix, orient and adjust an LCD screen perfectly.

It is covered with an anti-microbial agent providing hygiene and cleaning in every detail.


Its modern design has been specially designed for healthcare environments.

Technical characteristics:

- * Integrated cable entry
- * Attachment to the worktop by four screws (Ø 0.65 mm x 4)
- * Rectangular base with small footprint 130 x 136 mm
- * It complies with the screen mounting standard: VESA MIS-D 75 mm and 100 mm.
- * Compatible with screens whose weight does not exceed 30 kg.
- * Touch screen stability.
- * Screen tilt: 10° forward, 15° backward
- * Screen head rotation: 35° right, 35° left.
- * Arm height: 340 mm
- * Compatible with multimedia terminals (TMM)
- * Color RAL 7024 (Graphite grey and White)
- * All our medical arms are in compliance: CE, ROHS, Medical Grade, Regulations MDD 93/42 ECC.
- * Warranty: 5 years

Note: This arm can also be installed on any flat surface medical device.



 Do not hesitate to contact us if you have any questions about this product.

 Warranty: 5 years

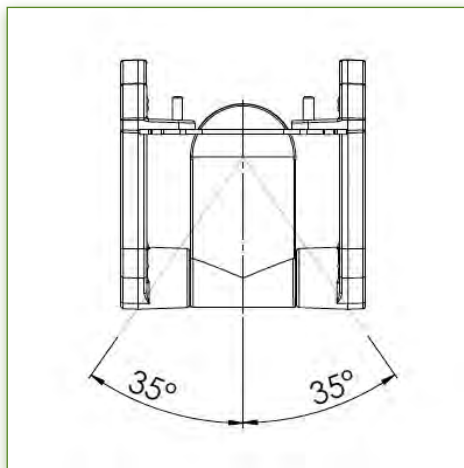
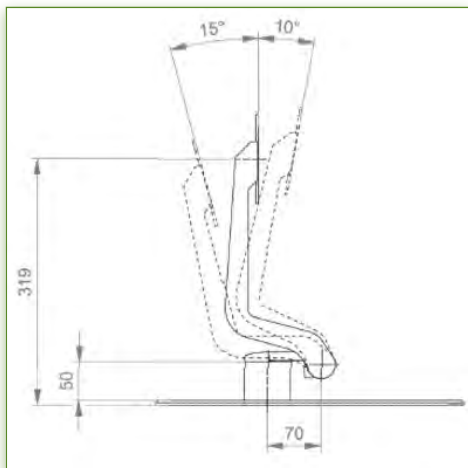
 000.996.106

 Graphite Grey and White

 On Measure

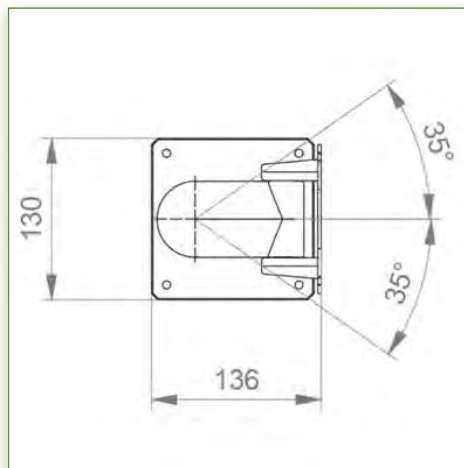
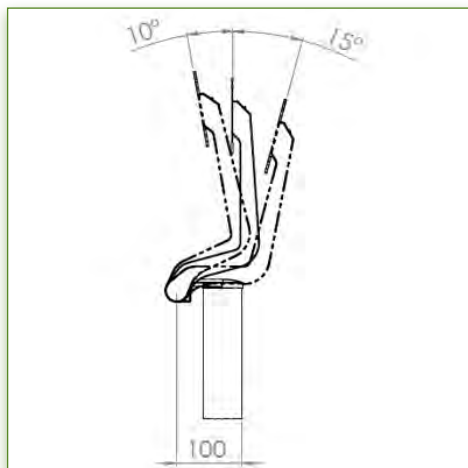
 = Depending on the elements

 996.106



Display compatibility: 26" Wide (weight)
 Supported Weight: 30 Kg
 VESA standard: 75 / 100 mm
 Arm height: 340 mm

Up to 26" Wide (Weight)
 75/100 mm
 30 Kg



Medical Grade



Do not hesitate to contact us if you have any questions about this product.



Warranty: 5 years



000.996.106



Graphite Grey and White



On Measure



= Depending on the elements



996.106



Anti-bacterial properties:

IT medical arms are now designed with Microban antibacterial protection, a revolutionary treatment that guarantees optimal hygiene. IT medical arms integrate Microban and other antibacterial agents into all medical products. It inhibits the growth of bacteria of all types. This is not a surface treatment.

It is 100% in the totality of the product.

It does not alter the physico-mechanical properties of the medical arm lift system. Simulations over 30 years show that 100% of the antibacterial properties are maintained.

All medical articulated arms incorporate Microban. Microban is the world's leading provider of anti-bacterial solutions. It has been successfully applied for more than 35 years in a wide range of products used in the hospital, construction and food industries.



Display compatibility: 26" Wide (weight)
Supported Weight: 30 Kg
VESA standard: 75 / 100 mm
Arm height: 340 mm

Medical Monitor Stand HD 340 mm to be placed on a work surface

This 340 mm high HD Stand Arm allows you to fix, orient and adjust an LCD screen perfectly.

It is covered with an anti-microbial agent providing hygiene and cleaning in every detail.


Its modern design has been specially designed for healthcare environments.

Technical characteristics:

- * Integrated cable entry
- * Free trapezoidal design base: 305 x 364 mm
- * It complies with the screen mounting standard: VESA MIS-D 75 mm and 100 mm.
- * Compatible with screens whose weight does not exceed 30 kg.
- * Touch screen stability.
- * Screen tilt: 10° forward, 15° backward
- * Screen head rotation: 35° right, 35° left.
- * Arm height: 340 mm
- * Compatible with multimedia terminals (TMM)
- * Color RAL 7024 (Graphite grey and White)
- * All our medical arms are in compliance: CE, ROHS, Medical Grade, Regulations MDD 93/42 ECC.
- * Warranty: 5 years

* Note: This arm can also be installed on any flat surface medical device.



 Do not hesitate to contact us if you have any questions about this product.

 **Warranty: 5 years**

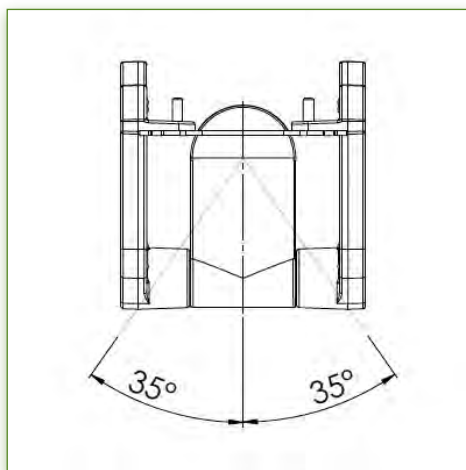
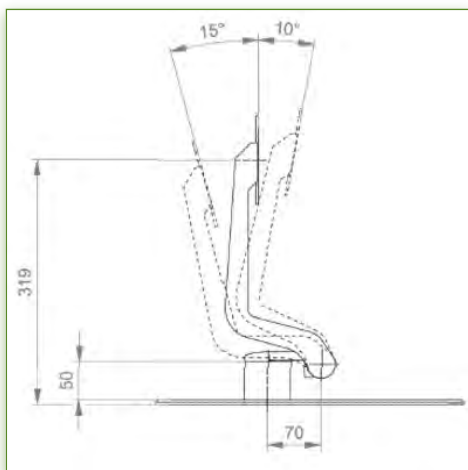
 000.996.107

 Graphite Grey and White

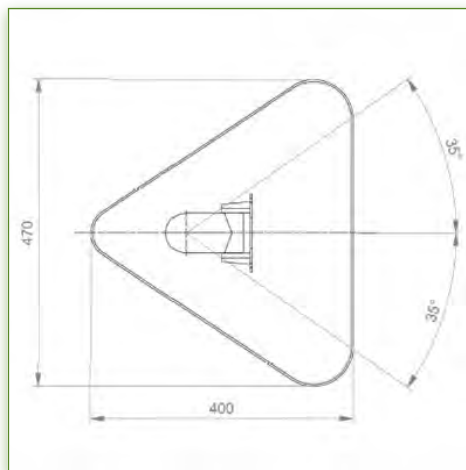
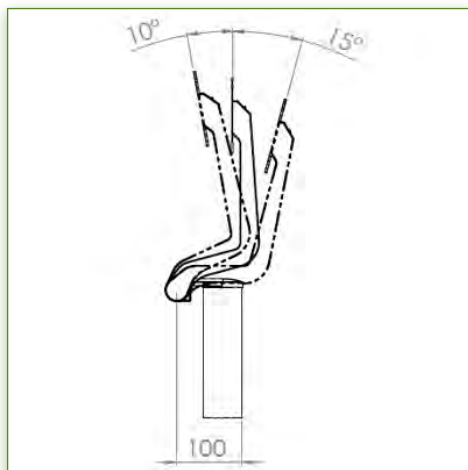
 On Measure

 = Depending on the elements

 996.107



Display compatibility: 26" Wide (weight)
 Supported Weight: 30 Kg
 VESA standard: 75 / 100 mm
 Arm height: 340 mm



Do not hesitate to contact us if you have any questions about this product.

Warranty: 5 years

000.996.107

Graphite Grey and White

On Measure

= Depending on the elements

996.107




Anti-bacterial properties:

IT medical arms are now designed with Microban antibacterial protection, a revolutionary treatment that guarantees optimal hygiene. IT medical arms integrate Microban and other antibacterial agents into all medical products. It inhibits the growth of bacteria of all types. This is not a surface treatment. It is 100% in the totality of the product. It does not alter the physico-mechanical properties of the medical arm lift system. Simulations over 30 years show that 100% of the antibacterial properties are maintained. All medical articulated arms incorporate Microban. Microban is the world's leading provider of anti-bacterial solutions. It has been successfully applied for more than 35 years in a wide range of products used in the hospital, construction and food industries.



Display compatibility: 26" Wide (weight)
 Supported Weight: 3 - 8 Kg
 VESA standard: 75 / 100 mm



 Do not hesitate to contact us if you have any questions about this product.

 Warranty: 5 years

 000.996.108

 Graphite Grey and White

 On Measure

 = Depending on the elements

 996.108

Medical Monitor Arm, Height-adjustable, work surface mounting

This 300 mm Horizontal Medical Arm with gas lift height adjustment allows the LCD monitor to be perfectly fixed, oriented and adjusted.

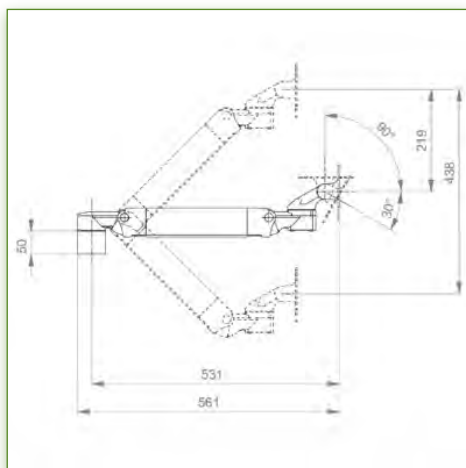
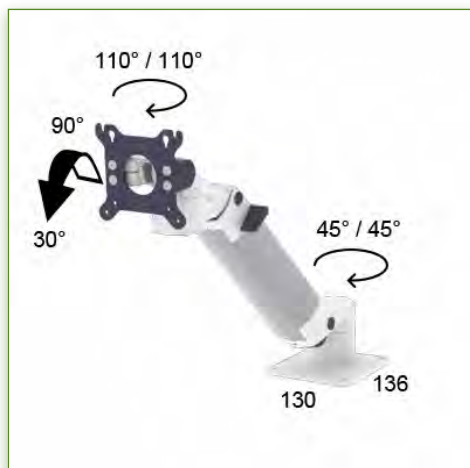
It is covered with an anti-microbial agent providing hygiene and cleaning in every detail.

Its modern design has been specially designed for healthcare environments.

Technical characteristics:

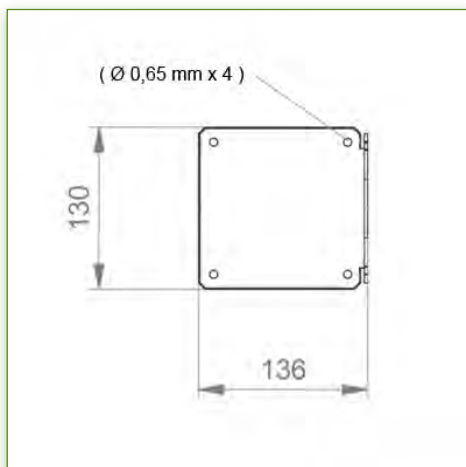
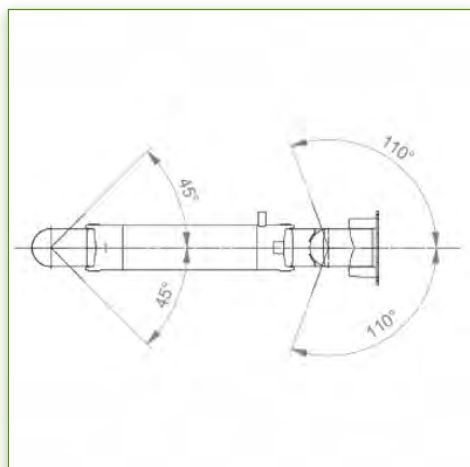
- * Integrated cable entry
- * Attachment to the worktop by four screws (Ø 0.65 mm x 4)
- * Rectangular base with small footprint 130 x 136 mm
- * The head of this arm complies with the screen mounting standard: VESA MIS-D 75 mm and 100 mm.
- * Compatible with screens weighing no more than 3-8 kg.
- * Touch screen stability.
- * Screen tilt: 30° downwards and 90° upwards
- * Screen rotation: 110° right, 110° left.
- * Arm rotation: 45° right, 45° left.
- * Height adjustment: 45° downwards, 45° upwards
- * Total length 561 mm
- * Compatible with multimedia terminals (TMM)
- * Color RAL 7024 (Graphite grey and White)
- * All our medical arms are in compliance: CE, ROHS, Medical Grade, Regulations MDD 93/42 ECC.
- * Warranty: 5 years

* Note: This arm can also be installed on any flat surface medical device.



Display compatibility: 26" Wide (weight)
 Supported Weight: 3 - 8 Kg
 VESA standard: 75 / 100 mm

Up to 26" Wide (Weight)
 75/100 mm
 3 - 8 Kg

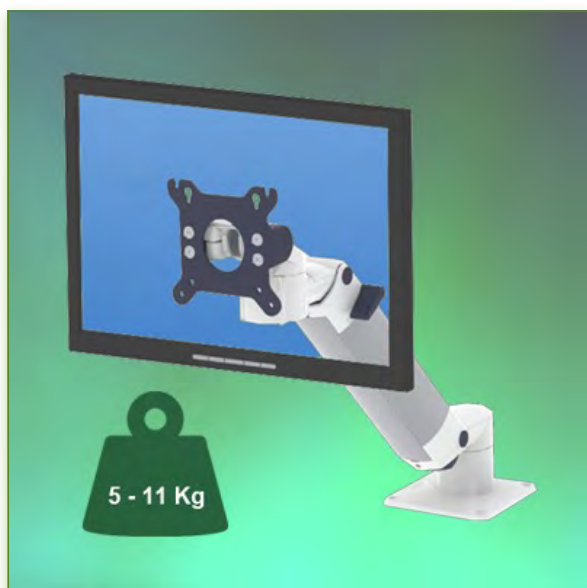


Do not hesitate to contact us if you have any questions about this product.

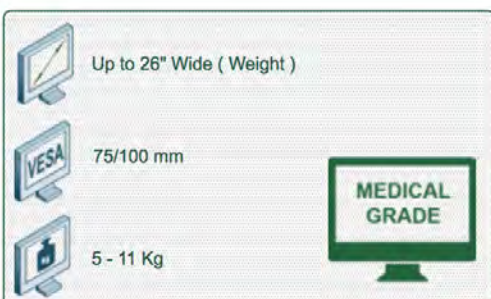
- Warranty: 5 years**
- 000.996.108
- Graphite Grey and White**
- On Measure**
- = Depending on the elements**
- 996.108**


Propriétés Anti-bactériennes:

Les bras médicaux informatiques sont désormais conçus avec la protection antibactérienne Microban, un traitement révolutionnaire qui garantit une hygiène optimale. Les bras médicaux informatiques intègrent du Microban et d'autre agent anti bactérien dans tous les produits médicaux. Il inhibe la croissance de bactéries de tout type. Il ne s'agit pas d'un traitement superficiel. Il se trouve à 100% dans la totalité du produit. Il n'entraîne aucune altération des propriétés physico-mécaniques du système élévateur des bras médicaux. Des simulations sur 30 ans montrent que 100 % des propriétés anti-bactériennes sont maintenues. Tous les bras articulés médicaux intègrent du Microban. Microban est leader mondial de solutions anti-bactériennes. Il est appliqué avec succès, depuis déjà plus de 35 ans, dans de multiples produits utilisés dans les secteurs hospitalier, de la construction et de l'alimentation.



Display compatibility: 26" Wide (weight)
 Supported Weight: 5 - 11 Kg
 VESA standard: 75 / 100 mm



 Do not hesitate to contact us if you have any questions about this product.

 **Warranty: 5 years**

 000.996.109

 Graphite Grey and White

 On Measure

 = Depending on the elements

 996.109

Medical Monitor Arm, Height-adjustable, work surface mounting

This 300 mm Horizontal Medical Arm with gas lift height adjustment allows the LCD monitor to be perfectly fixed, oriented and adjusted.

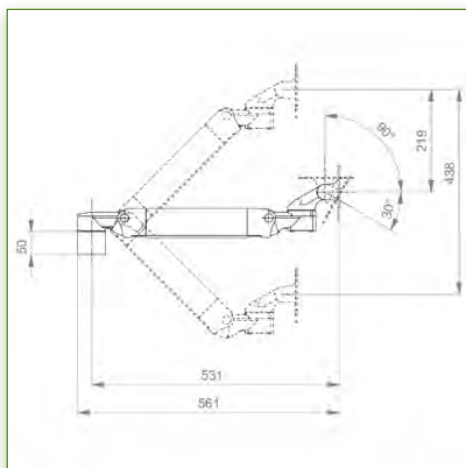
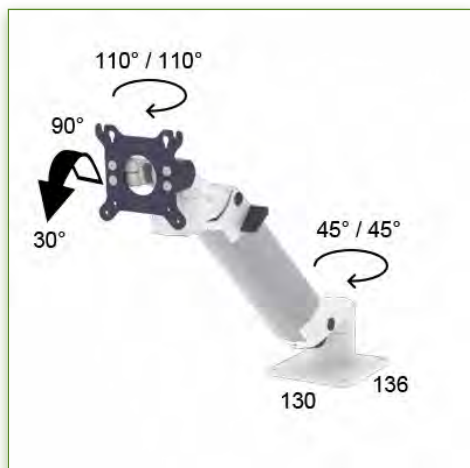
It is covered with an anti-microbial agent providing hygiene and cleaning in every detail.

Its modern design has been specially designed for healthcare environments.

Technical characteristics:

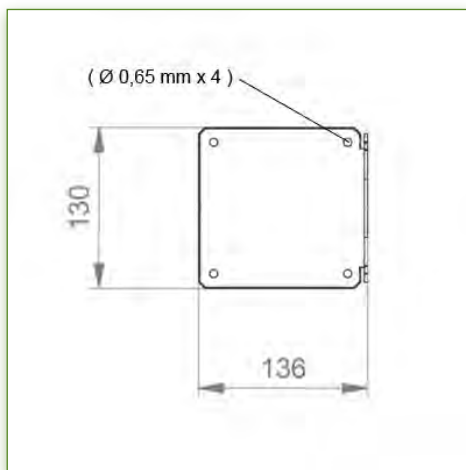
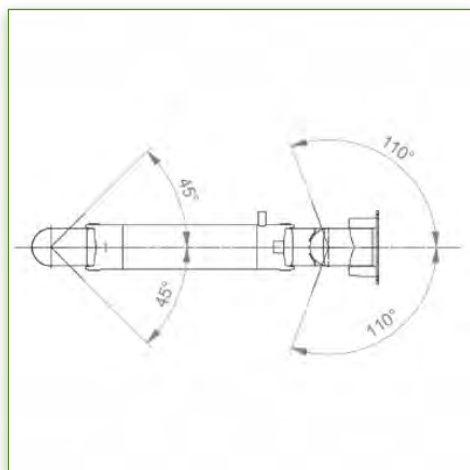
- * Integrated cable entry
- * Attachment to the worktop by four screws (Ø 0.65 mm x 4)
- * Rectangular base with small footprint 130 x 136 mm
- * The head of this arm complies with the screen mounting standard: VESA MIS-D 75 mm and 100 mm.
- * Compatible with screens weighing no more than 5-11 kg.
- * Touch screen stability.
- * Screen tilt: 30° downwards and 90° upwards
- * Screen rotation: 110° right, 110° left.
- * Arm rotation: 45° right, 45° left.
- * Height adjustment: 45° downwards, 45° upwards
- * Total length 561 mm
- * Compatible with multimedia terminals (TMM)
- * Color RAL 7024 (Graphite grey and White)
- * All our medical arms are in compliance: CE, ROHS, Medical Grade, Regulations MDD 93/42 ECC.
- * Warranty: 5 years

* Note: This arm can also be installed on any flat surface medical device.



Display compatibility: 26" Wide (weight)
 Supported Weight: 5 - 11 Kg
 VESA standard: 75 / 100 mm

Up to 26" Wide (Weight)
 75/100 mm
 5 - 11 Kg



N'hésitez pas de nous contacter si vous avez des questions au sujet de ce produit.

Warranty: 5 years

000.996.109

Graphite Grey and White

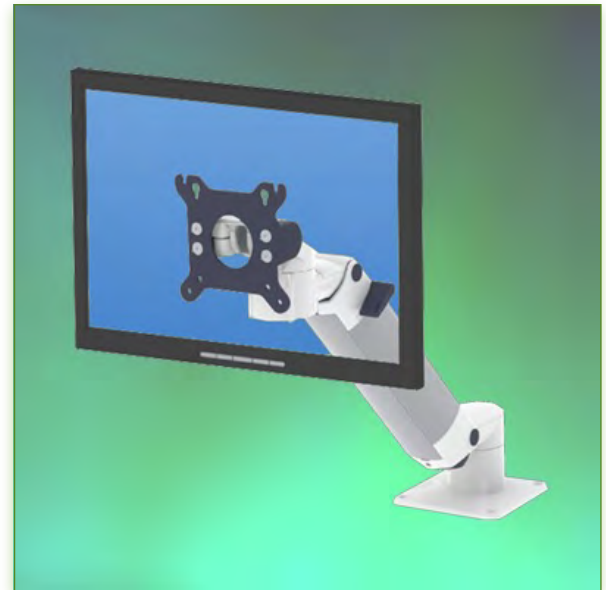
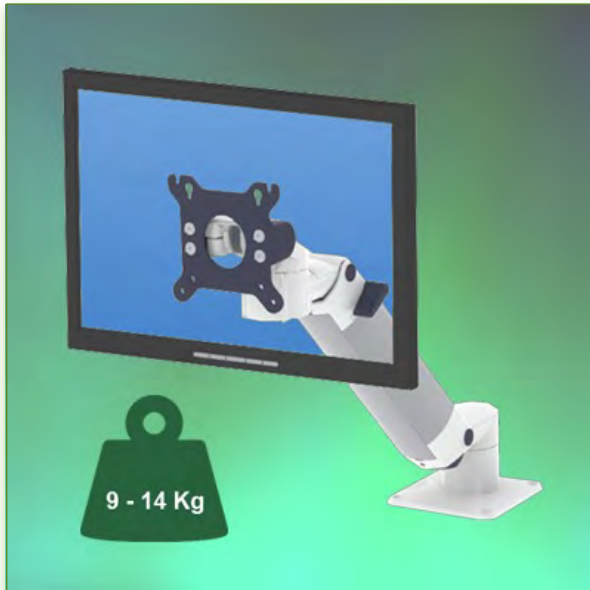
On Measure

= Depending on the elements

996.109

Propriétés Anti-bactériennes:

Les bras médicaux informatiques sont désormais conçus avec la protection antibactérienne Microban, un traitement révolutionnaire qui garantit une hygiène optimale. Les bras médicaux informatiques intègrent du Microban et d'autre agent anti bactérien dans tous les produits médicaux. Il inhibe la croissance de bactéries de tout type. Il ne s'agit pas d'un traitement superficiel. Il se trouve à 100% dans la totalité du produit. Il n'entraîne aucune altération des propriétés physico-mécaniques du système élévateur des bras médicaux. Des simulations sur 30 ans montrent que 100 % des propriétés anti-bactériennes sont maintenues. Tous les bras articulés médicaux intègrent du Microban. Microban est leader mondial de solutions anti-bactériennes. Il est appliqué avec succès, depuis déjà plus de 35 ans, dans de multiples produits utilisés dans les secteurs hospitalier, de la construction et de l'alimentation.



Medical Monitor Arm, Height-adjustable, work surface mounting

This 300 mm Horizontal Medical Arm with gas lift height adjustment allows the LCD monitor to be perfectly fixed, oriented and adjusted.

It is covered with an anti-microbial agent providing hygiene and cleaning in every detail.

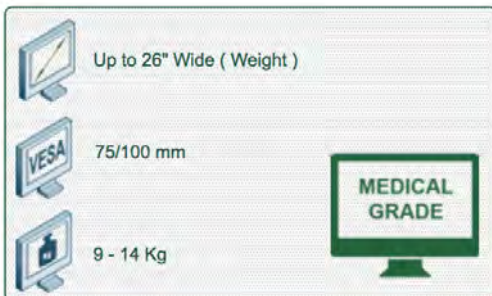
Its modern design has been specially designed for healthcare environments.

Technical characteristics:


- * Integrated cable entry
- * Attachment to the worktop by four screws (Ø 0.65 mm x 4)
- * Rectangular base with small footprint 130 x 136 mm
- * The head of this arm complies with the screen mounting standard: VESA MIS-D 75 mm and 100 mm.
- * Compatible with screens weighing no more than 9-14 kg.
- * Touch screen stability.
- * Screen tilt: 30° downwards and 90° upwards
- * Screen rotation: 110° right, 110° left.
- * Arm rotation: 45° right, 45° left.
- * Height adjustment: 45° downwards, 45° upwards
- * Total length 561 mm
- * Compatible with multimedia terminals (TMM)
- * Color RAL 7024 (Graphite grey and White)
- * All our medical arms are in compliance: CE, ROHS, Medical Grade, Regulations MDD 93/42 ECC.
- * Warranty: 5 years

* Note: This arm can also be installed on any flat surface medical device.

Display compatibility: 26" Wide (weight)
 Supported Weight: 9 - 14 Kg
 VESA standard: 75 / 100 mm



Up to 26" Wide (Weight)
 75/100 mm
 9 - 14 Kg
MEDICAL GRADE

 Do not hesitate to contact us if you have any questions about this product.

 **Warranty: 5 years**

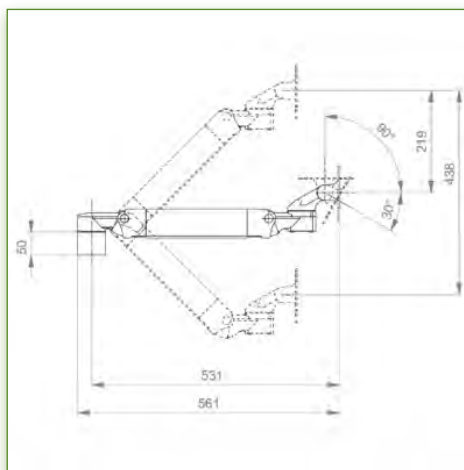
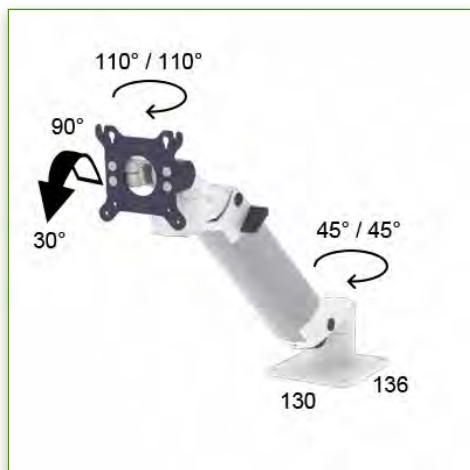
 000.996.110

 Graphite Grey and White

 On Measure

 = Depending on the elements

 996.110

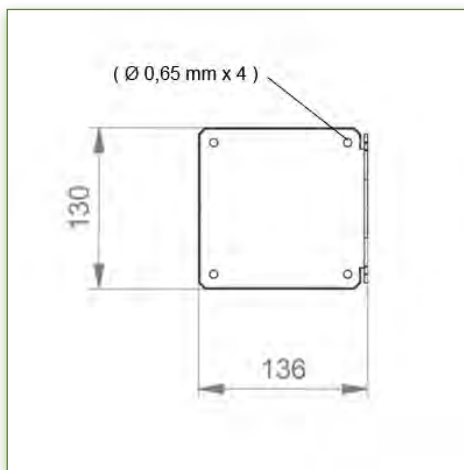
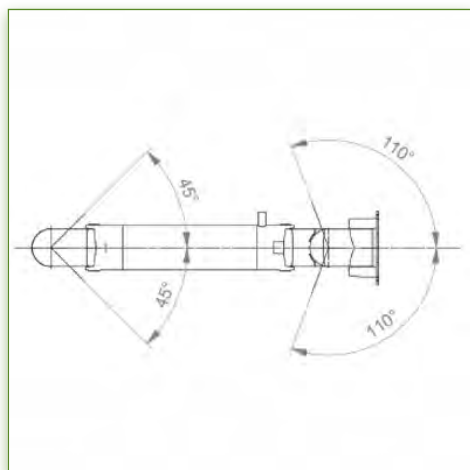


Display compatibility: 26" Wide (weight)
 Supported Weight: 9 - 14 Kg
 VESA standard: 75 / 100 mm

Up to 26" Wide (Weight)
 75/100 mm
 9 - 14 Kg



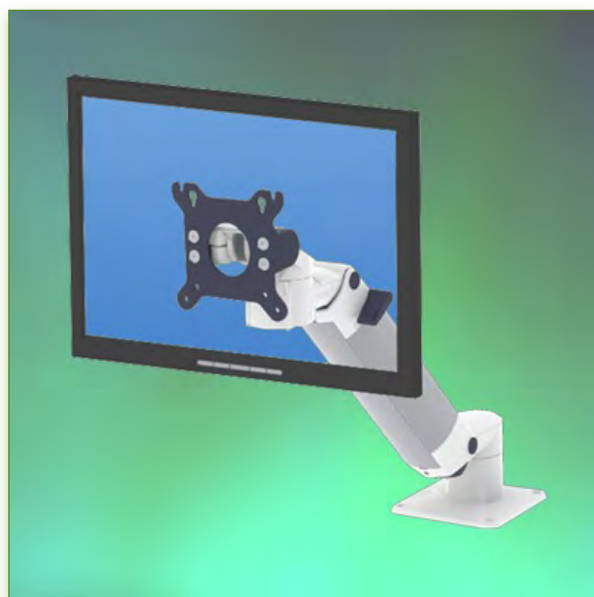
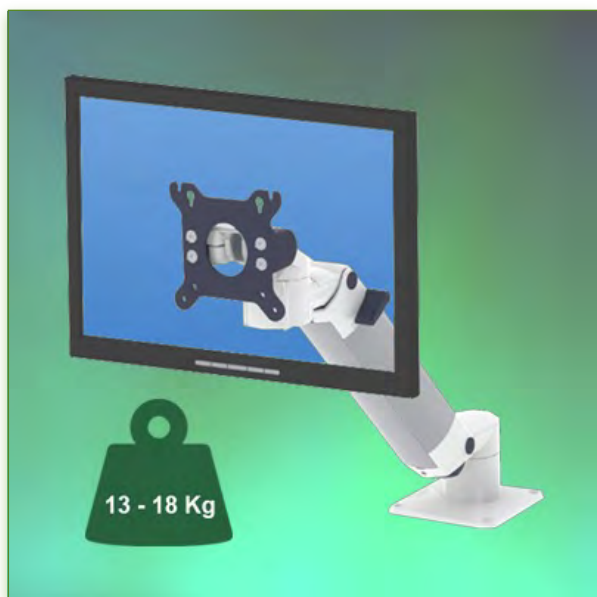
Do not hesitate to contact us if you have any questions about this product.



- Warranty: 5 years
- 000.996.110
- Graphite Grey and White
- On Measure
- = Depending on the elements
- 996.110


Anti-bacterial properties:

IT medical arms are now designed with Microban antibacterial protection, a revolutionary treatment that guarantees optimal hygiene. IT medical arms integrate Microban and other antibacterial agents into all medical products. It inhibits the growth of bacteria of all types. This is not a surface treatment. It is 100% in the totality of the product. It does not alter the physico-mechanical properties of the medical arm lift system. Simulations over 30 years show that 100% of the antibacterial properties are maintained. All medical articulated arms incorporate Microban. Microban is the world's leading provider of anti-bacterial solutions. It has been successfully applied for more than 35 years in a wide range of products used in the hospital, construction and food industries.



Display compatibility: 26" Wide (weight)
 Supported Weight: 13 - 18 Kg
 VESA standard: 75 / 100 mm



 Do not hesitate to contact us if you have any questions about this product.

 **Warranty: 5 years**

 000.996.111

 Graphite Grey and White

 On Measure

 = Depending on the elements

 996.111

Medical Monitor Arm, Height-adjustable, work surface mounting

This 300 mm Horizontal Medical Arm with gas lift height adjustment allows the LCD monitor to be perfectly fixed, oriented and adjusted.

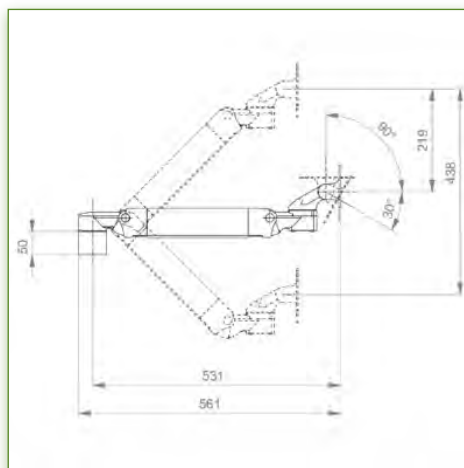
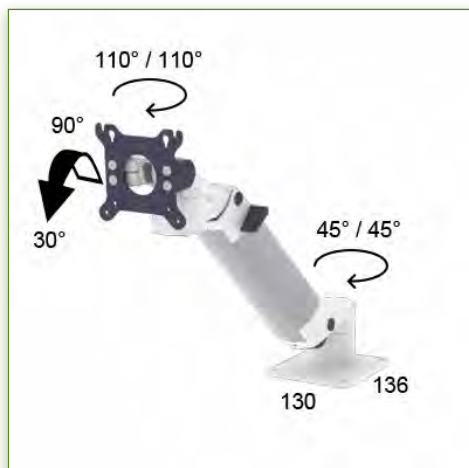
It is covered with an anti-microbial agent providing hygiene and cleaning in every detail.

Its modern design has been specially designed for healthcare environments.

Technical characteristics:

- * Integrated cable entry
- * Attachment to the worktop by four screws (Ø 0.65 mm x 4)
- * Rectangular base with small footprint 130 x 136 mm
- * The head of this arm complies with the screen mounting standard: VESA MIS-D 75 mm and 100 mm.
- * Compatible with screens weighing no more than 13-18 kg.
- * Touch screen stability.
- * Screen tilt: 30° downwards and 90° upwards
- * Screen rotation: 110° right, 110° left.
- * Arm rotation: 45° right, 45° left.
- * Height adjustment: 45° downwards, 45° upwards
- * Total length 561 mm
- * Compatible with multimedia terminals (TMM)
- * Color RAL 7024 (Graphite grey and White)
- * All our medical arms are in compliance: CE, ROHS, Medical Grade, Regulations MDD 93/42 ECC.
- * Warranty: 5 years

* Note: This arm can also be installed on any flat surface medical device.

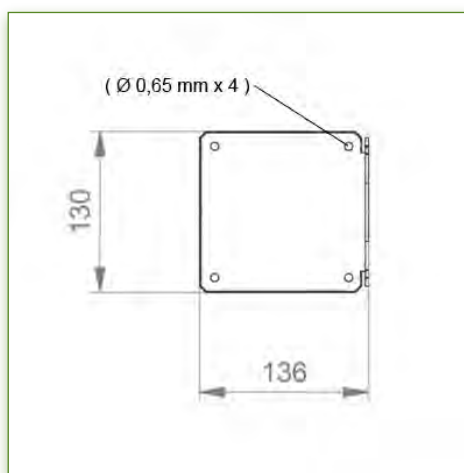
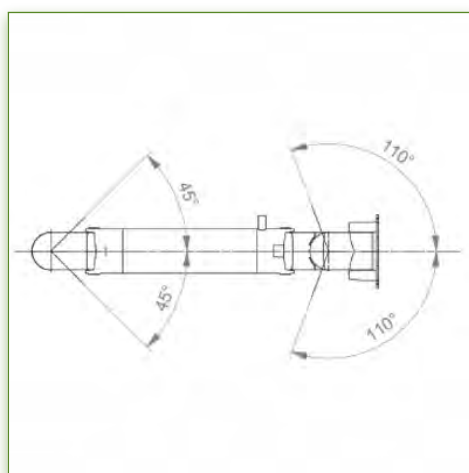


Display compatibility: 26" Wide (weight)
 Supported Weight: 13 - 18 Kg
 VESA standard: 75 / 100 mm

Up to 26" Wide (Weight)
 75/100 mm
 13 - 18 Kg



N'hésitez pas de nous contacter si vous avez des questions au sujet de ce produit.



- Warranty: 5 years
- 000.996.111
- Graphite Grey and White
- On Measure
- = Depending on the elements
- 996.111

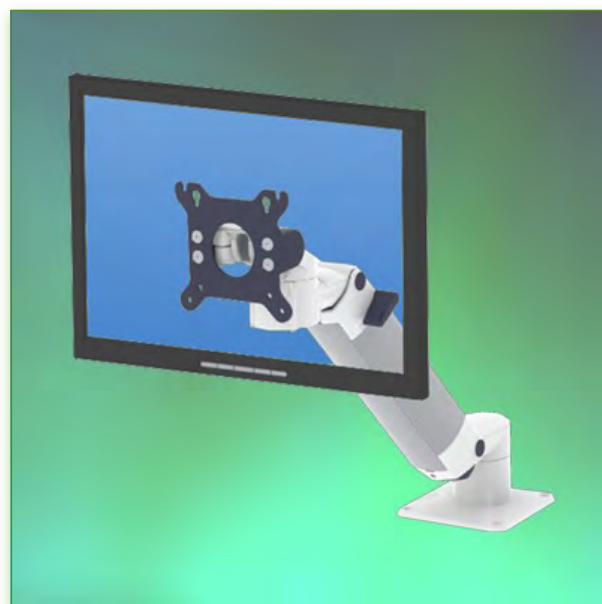
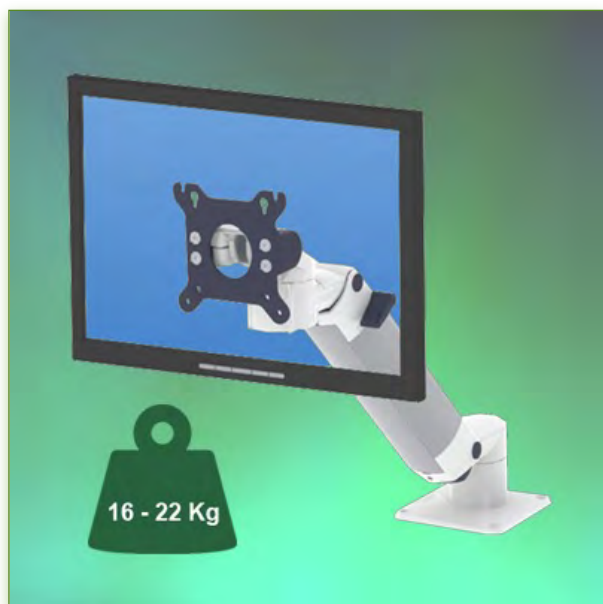
Anti-bacterial properties:

IT medical arms are now designed with Microban antibacterial protection, a revolutionary treatment that guarantees optimal hygiene. IT medical arms integrate Microban and other antibacterial agents into all medical products. It inhibits the growth of bacteria of all types. This is not a surface treatment.

It is 100% in the totality of the product.

It does not alter the physico-mechanical properties of the medical arm lift system. Simulations over 30 years show that 100% of the antibacterial properties are maintained.

All medical articulated arms incorporate Microban. Microban is the world's leading provider of anti-bacterial solutions. It has been successfully applied for more than 35 years in a wide range of products used in the hospital, construction and food industries.



Medical Monitor Arm, Height-adjustable, work surface mounting

This 300 mm Horizontal Medical Arm with gas lift height adjustment allows the LCD monitor to be perfectly fixed, oriented and adjusted.

It is covered with an anti-microbial agent providing hygiene and cleaning in every detail.

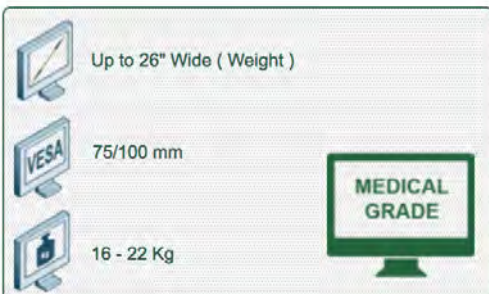
Its modern design has been specially designed for healthcare environments.

Technical characteristics:


- * Integrated cable entry
- * Attachment to the worktop by four screws (Ø 0.65 mm x 4)
- * Rectangular base with small footprint 130 x 136 mm
- * The head of this arm complies with the screen mounting standard: VESA MIS-D 75 mm and 100 mm.
- * Compatible with screens weighing no more than 16-22 kg.
- * Touch screen stability.
- * Screen tilt: 30° downwards and 90° upwards
- * Screen rotation: 110° right, 110° left.
- * Arm rotation: 45° right, 45° left.
- * Height adjustment: 45° downwards, 45° upwards
- * Total length 561 mm
- * Compatible with multimedia terminals (TMM)
- * Color RAL 7024 (Graphite grey and White)
- * All our medical arms are in compliance: CE, ROHS, Medical Grade, Regulations MDD 93/42 ECC.
- * Warranty: 5 years

* Note: This arm can also be installed on any flat surface medical device.

Display compatibility: 26" Wide (weight)
 Supported Weight: 16 - 22 Kg
 VESA standard: 75 / 100 mm



Up to 26" Wide (Weight)
 75/100 mm
 16 - 22 Kg
MEDICAL GRADE

 Do not hesitate to contact us if you have any questions about this product.

 Warranty: 5 years

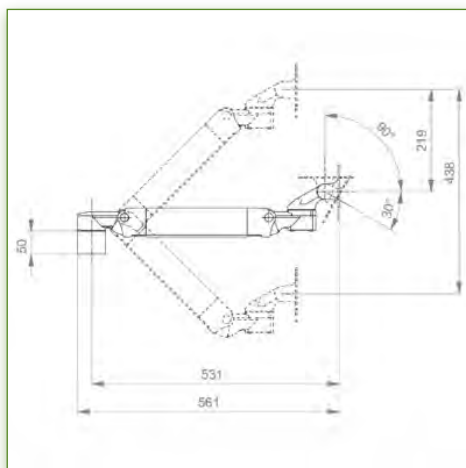
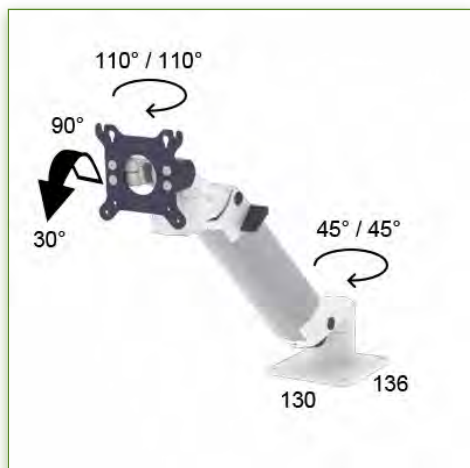
 000.996.112

 Graphite Grey and White

 On Measure

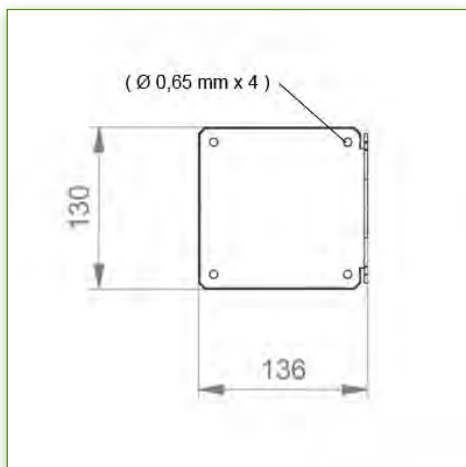
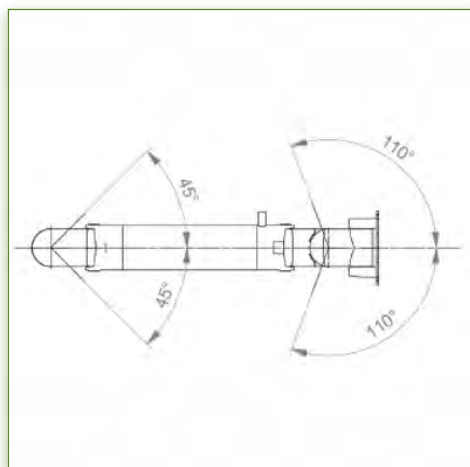
 = Depending on the elements

 996.112



Display compatibility: 26" Wide (weight)
 Supported Weight: 16 - 22 Kg
 VESA standard: 75 / 100 mm

Up to 26" Wide (Weight)
 75/100 mm
 16 - 22 Kg



- Do not hesitate to contact us if you have any questions about this product.
- Warranty: 5 years
- 000.996.112
- Graphite Grey and White
- On Measure
- = Depending on the elements
- 996.112

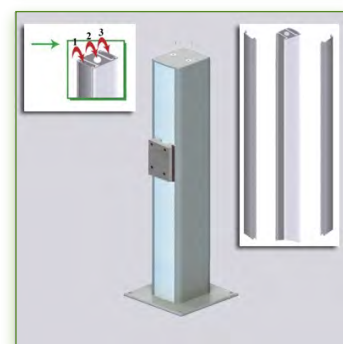
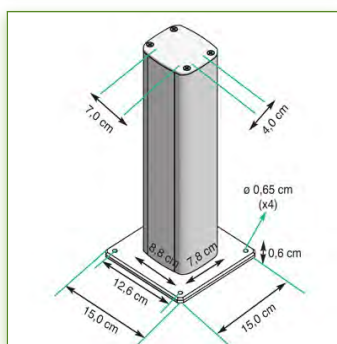
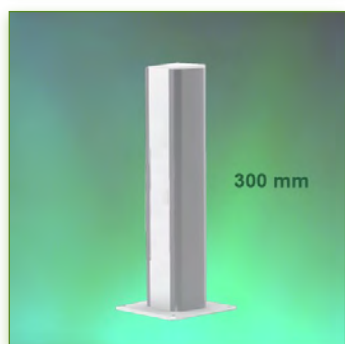
Anti-bacterial properties:

IT medical arms are now designed with Microban antibacterial protection, a revolutionary treatment that guarantees optimal hygiene. IT medical arms integrate Microban and other antibacterial agents into all medical products. It inhibits the growth of bacteria of all types. This is not a surface treatment.

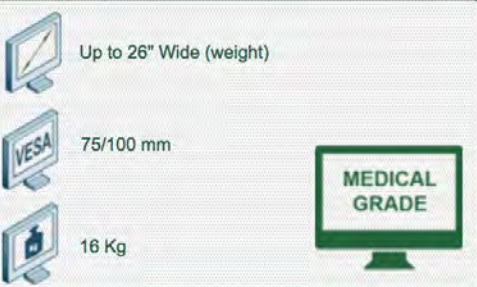
It is 100% in the totality of the product.

It does not alter the physico-mechanical properties of the medical arm lift system. Simulations over 30 years show that 100% of the antibacterial properties are maintained.

All medical articulated arms incorporate Microban. Microban is the world's leading provider of anti-bacterial solutions. It has been successfully applied for more than 35 years in a wide range of products used in the hospital, construction and food industries.



Display compatibility: 26" Wide (weight)
 Supported Weight: 16 Kg
 VESA standard: 75 / 100 mm
 Column height: 300 mm



Do not hesitate to contact us if you have any questions about this product.

Warranty: 5 years

000.996.116

Graphite Grey and White

On Measure

= Depending on the elements

996.116

Medical Column Arm 300 mm, for 2 screens, work surface mounting

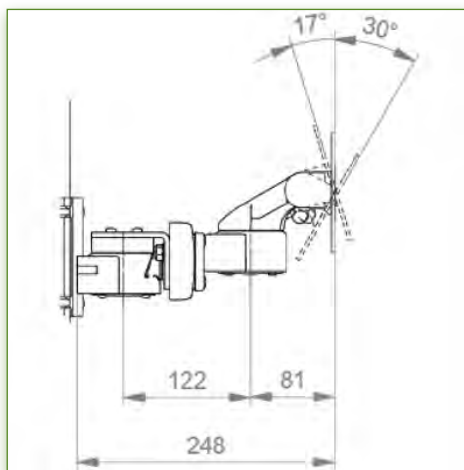
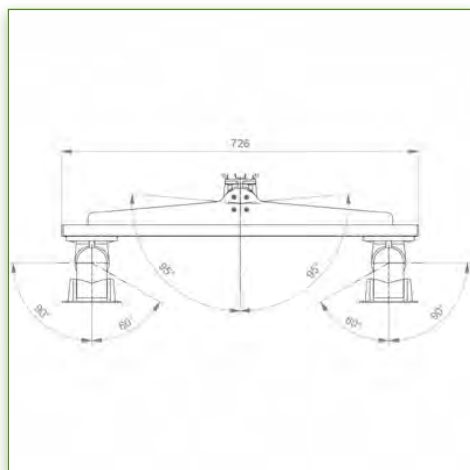
This 300mm Medical Column Arm allows you to perfectly fix, orient and adjust two LCD screens...

It is covered with an anti-microbial agent providing hygiene and cleaning in every detail.

Its modern design has been specially designed for healthcare environments.

Technical characteristics:

- * Integrated cable entry
- * This column can be easily cut to size.
- * All cables run through the column, horizontal rail and mini arms. No cables are visible. Two cable covers are supplied with this configuration.
- * The column has a front and a back face allowing to add other elements, these are simply slipped into the column and then adjusted to the desired height and fixed. (see options below)
- * The heads of the 2 mini arms comply with the standard for mounting the screens: VESA MIS-D 75 mm and 100 mm. Tilt rotating head.
- * Compatible with screens up to 16 kg in weight.
- * Touch screen stability.
- * Screen tilt: 30° downwards and 17° upwards
- * Screen rotation: 60°/90° right, 90°/60° left.
- * Horizontal arm rotation: 95° right, 95° left.
- * Horizontal arm length: 728 mm * Column height: 300 mm
- * Compatible with multimedia terminals (TMM)
- * Color RAL 7024 (Graphite grey and White)
- * All our medical arms are in compliance: CE, ROHS, Medical Grade, Regulations MDD 93/42 ECC.
- * Warranty: 5 years



Display compatibility: 26" Wide (weight)
 Supported Weight: 16 Kg
 VESA standard: 75 / 100 mm
 Column height: 300 mm



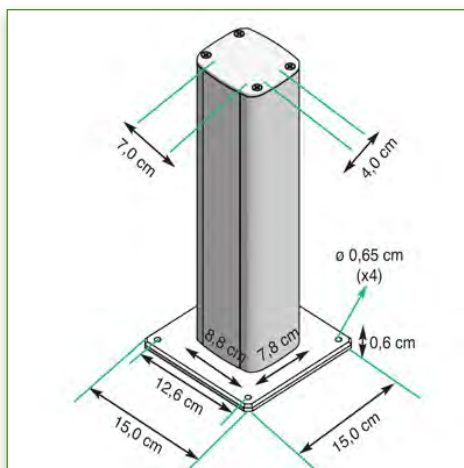
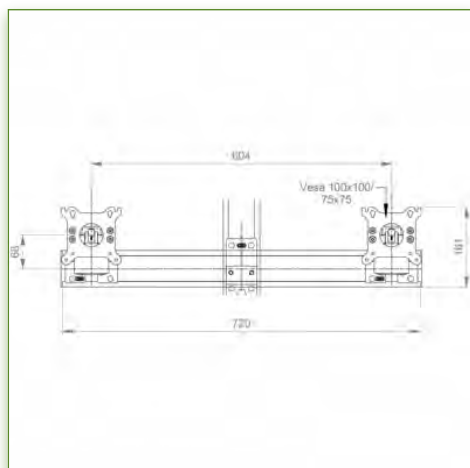
Up to 26" Wide (weight)



75/100 mm



16 Kg



Medical Grade



Do not hesitate to contact us if you have any questions about this product.



Warranty: 5 years



000.996.116



Graphite Grey and White



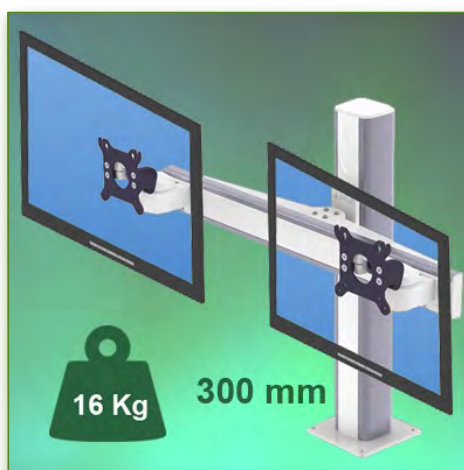
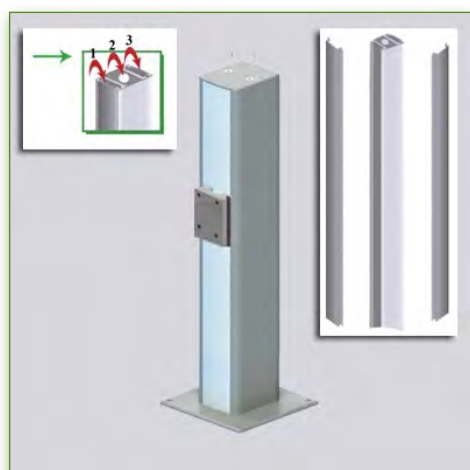
On Measure



= Depending on the elements



996.116

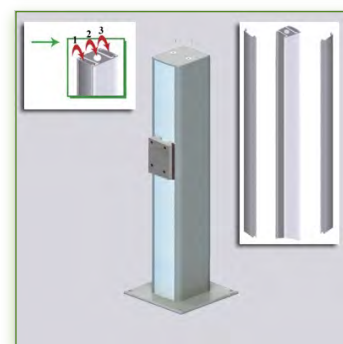
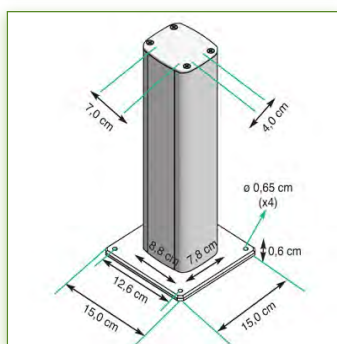
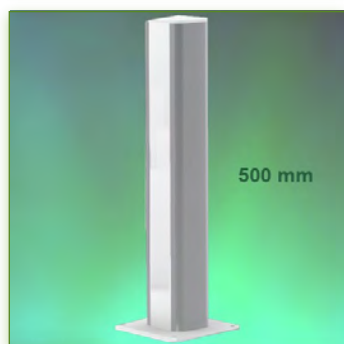
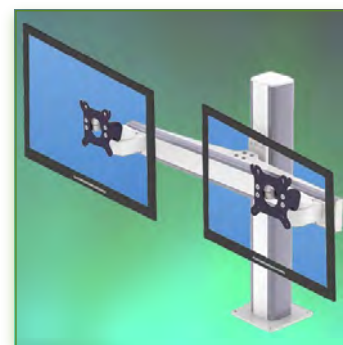
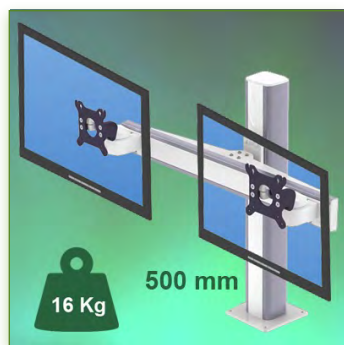


Anti-bacterial properties:

IT medical arms are now designed with Microban antibacterial protection, a revolutionary treatment that guarantees optimal hygiene. IT medical arms integrate Microban and other antibacterial agents into all medical products. It inhibits the growth of bacteria of all types. This is not a surface treatment.

It is 100% in the totality of the product. It does not alter the physico-mechanical properties of the medical arm lift system. Simulations over 30 years show that 100% of the antibacterial properties are maintained.

All medical articulated arms incorporate Microban. Microban is the world's leading provider of anti-bacterial solutions. It has been successfully applied for more than 35 years in a wide range of products used in the hospital, construction and food industries.



Compatibilité écran: 26" Wide (Poids)
 Poids Supporté: 16 Kg
 Norme VESA: 75 / 100 mm
 Hauteur de la colonne: 500 mm

Jusque 26" Wide (Poids)

VESA 75/100 mm

16 Kg

MEDICAL GRADE

N'hésitez pas de nous contacter si vous avez des questions au sujet de ce produit.

Garantie: 5 ans

000.996.117

Gris Graphite et Blanc

- Sur mesure

- En fonction des éléments

996.117

Medical Column Arm 500 mm, for 2 screens, work surface mounting

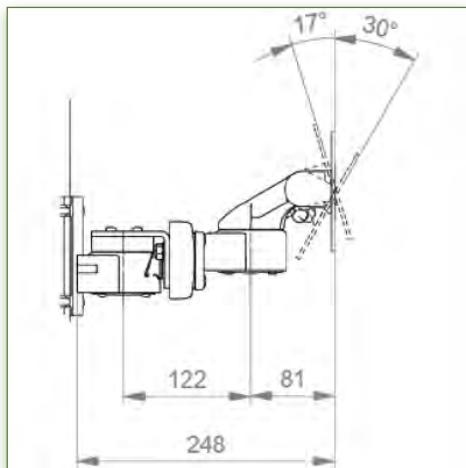
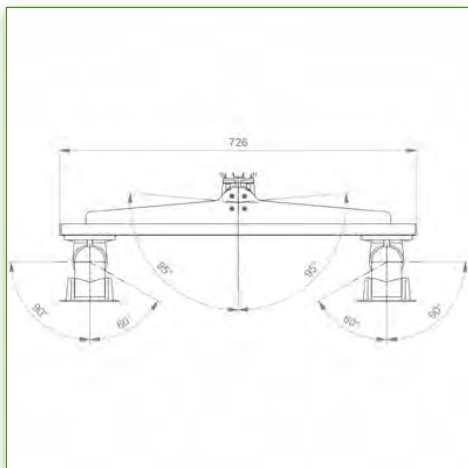
This 500mm Medical Column Arm allows you to perfectly fix, orient and adjust two LCD screens...

It is covered with an anti-microbial agent providing hygiene and cleaning in every detail.

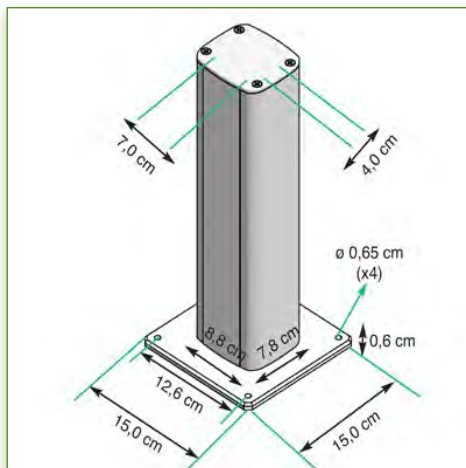
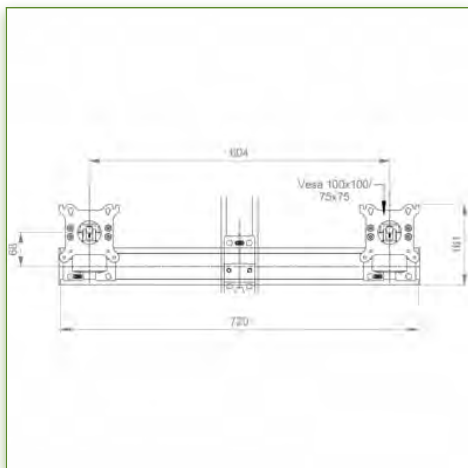
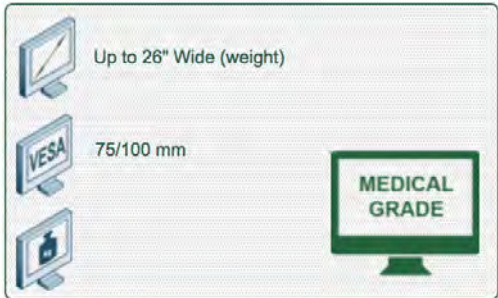
Its modern design has been specially designed for healthcare environments.

Technical characteristics:

- * Integrated cable entry
- * This column can be easily cut to size.
- * All cables run through the column, horizontal rail and mini arms. No cables are visible. Two cable covers are supplied with this configuration.
- * The column has a front and a back face allowing to add other elements, these are simply slipped into the column and then adjusted to the desired height and fixed. (see options below)
- * The heads of the 2 mini arms comply with the standard for mounting the screens: VESA MIS-D 75 mm and 100 mm. Tilt rotating head.
- * Compatible with screens up to 16 kg in weight.
- * Touch screen stability.
- * Screen tilt: 30° downwards and 17° upwards
- * Screen rotation: 60°/90° right, 90°/60° left.
- * Horizontal arm rotation: 95° right, 95° left.
- * Horizontal arm length: 728 mm * Column height: 500 mm
- * Compatible with multimedia terminals (TMM)
- * Color RAL 7024 (Graphite grey and White)
- * All our medical arms are in compliance: CE, ROHS, Medical Grade, Regulations MDD 93/42 ECC.
- * Warranty: 5 years

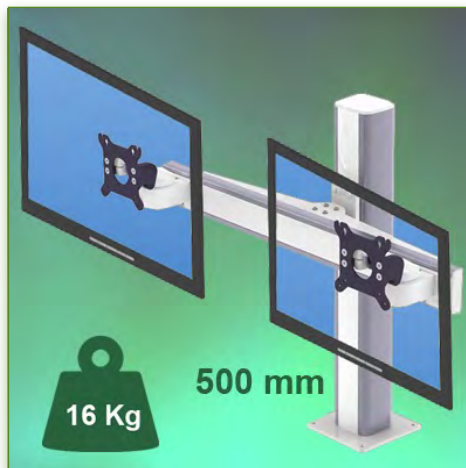
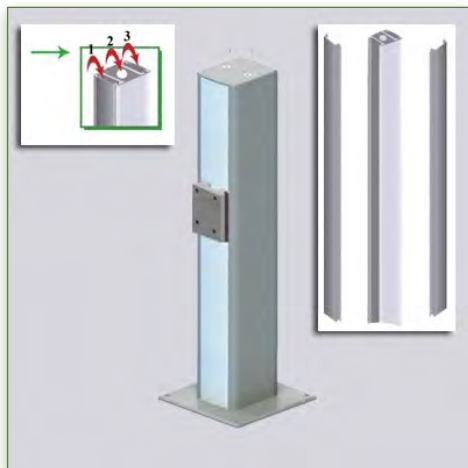


Display compatibility: 26" Wide (weight)
 Supported Weight: 16 Kg
 VESA standard: 75 / 100 mm
 Column height: 500 mm



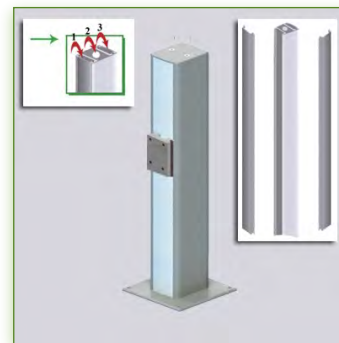
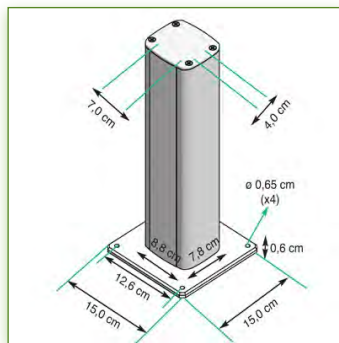
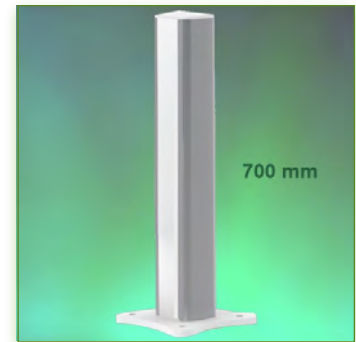
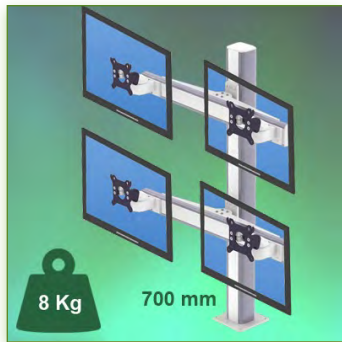
Do not hesitate to contact us if you have any questions about this product.

- Warranty: 5 years
- 000.996.117
- Graphite Grey and White
- On Measure
- = Depending on the elements
- 996.117



Anti-bacterial properties:

IT medical arms are now designed with Microban antibacterial protection, a revolutionary treatment that guarantees optimal hygiene. IT medical arms integrate Microban and other antibacterial agents into all medical products. It inhibits the growth of bacteria of all types. This is not a surface treatment. It is 100% in the totality of the product. It does not alter the physico-mechanical properties of the medical arm lift system. Simulations over 30 years show that 100% of the antibacterial properties are maintained. All medical articulated arms incorporate Microban. Microban is the world's leading provider of anti-bacterial solutions. It has been successfully applied for more than 35 years in a wide range of products used in the hospital, construction and food industries.



Display compatibility: 26" Wide (weight)
Supported Weight: 8 Kg
VESA standard: 75 / 100 mm
Column height: 700 mm

Up to 26" Wide (weight)
75/100 mm
8 Kg
MEDICAL GRADE

Do not hesitate to contact us if you have any questions about this product.

Warranty: 5 years

000.996.120

Graphite Grey and White

On Measure

= Depending on the elements

996.120

Medical Column Arm 700 mm, for 4 screens, work surface mounting

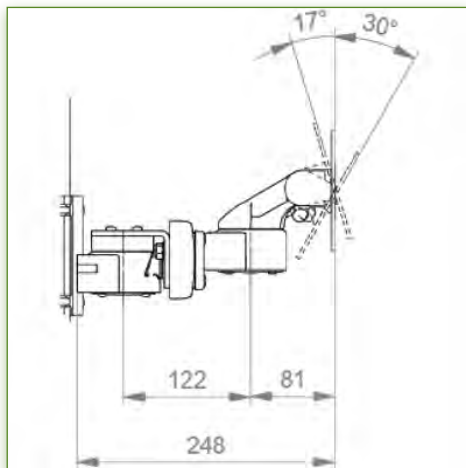
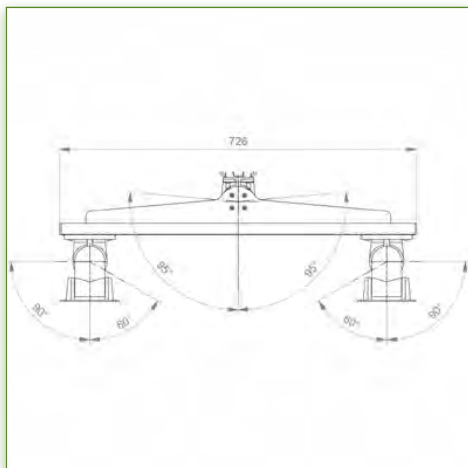
This 700mm Medical Column Arm allows you to perfectly fix, orient and adjust four LCD screens.

It is covered with an anti-microbial agent providing hygiene and cleaning in every detail.

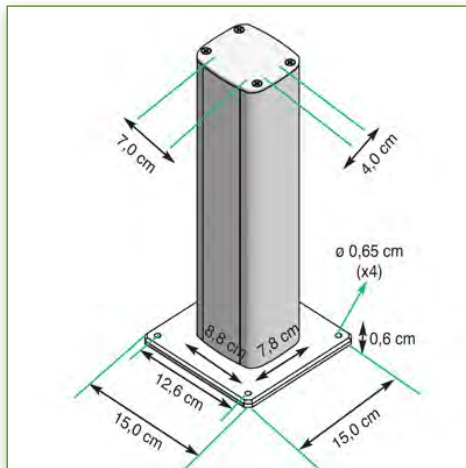
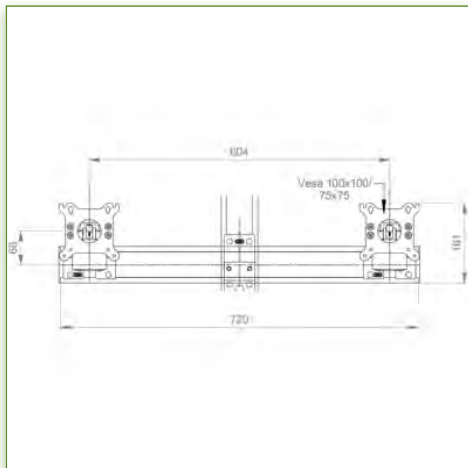
Its modern design has been specially designed for healthcare environments.

Technical characteristics:

- * Integrated cable entry
- * This column can be easily cut to size.
- * All cables run through the column, horizontal rail and mini arms. No cables are visible. Two cable covers are supplied with this configuration.
- * The column has a front and a back face allowing to add other elements, these are simply slipped into the column and then adjusted to the desired height and fixed. (see options below)
- * The heads of the 4 mini arms comply with the standard for mounting the screens: VESA MIS-D 75 mm and 100 mm. Tilt rotating head.
- * Compatible with screens up to 8 kg in weight.
- * Touch screen stability.
- * Screen tilt: 30° downwards and 17° upwards
- * Screen rotation: 60°/90° right, 90°/60° left.
- * Horizontal arm rotation: 95° right, 95° left.
- * Length of the horizontal arms: 728 mm * Column height: 700 mm
- * Compatible with multimedia terminals (TMM)
- * Color RAL 7024 (Graphite grey and White)
- * All our medical arms are in compliance: CE, ROHS, Medical Grade, Regulations MDD 93/42 ECC.
- * Warranty: 5 years



Display compatibility: 26" Wide (weight)
 Supported Weight: 8 Kg
 VESA standard: 75 / 100 mm
 Column height: 700 mm

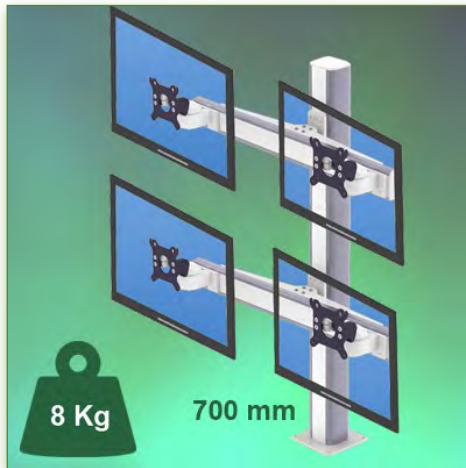
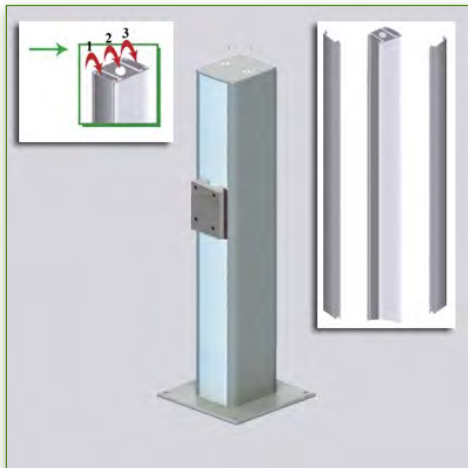


Up to 26" Wide (weight)
 75/100 mm
 8 Kg
MEDICAL GRADE



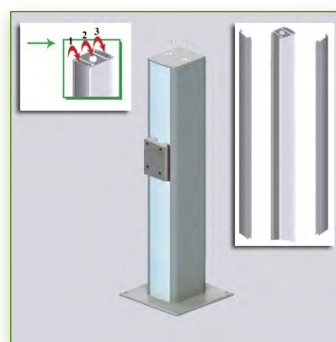
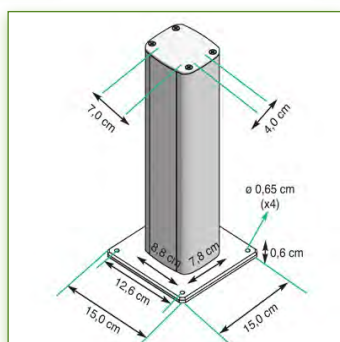
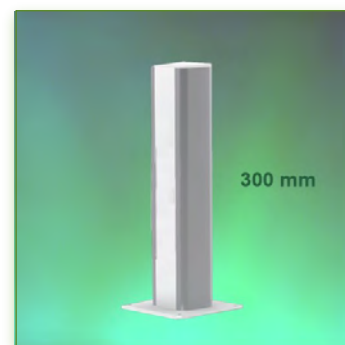
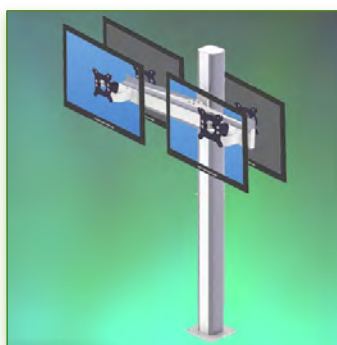
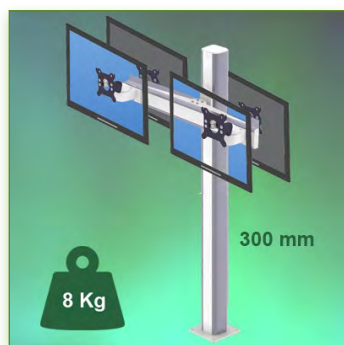
Do not hesitate to contact us if you have any questions about this product.

- Warranty: 5 years**
- 000.996.120
- Graphite Grey and White
- On Measure
- = Depending on the elements
- 996.120



Anti-bacterial properties:

IT medical arms are now designed with Microban antibacterial protection, a revolutionary treatment that guarantees optimal hygiene. IT medical arms integrate Microban and other antibacterial agents into all medical products. It inhibits the growth of bacteria of all types. This is not a surface treatment. It is 100% in the totality of the product. It does not alter the physico-mechanical properties of the medical arm lift system. Simulations over 30 years show that 100% of the antibacterial properties are maintained. All medical articulated arms incorporate Microban. Microban is the world's leading provider of anti-bacterial solutions. It has been successfully applied for more than 35 years in a wide range of products used in the hospital, construction and food industries.



Display compatibility: 26" Wide (weight)
Supported Weight: 8 Kg
VESA standard: 75 / 100 mm
Column height: 300 mm

Up to 26" Wide (weight)
75/100 mm
8 Kg
MEDICAL GRADE

Do not hesitate to contact us if you have any questions about this product.

Warranty: 5 years

000.996.123

Graphite Grey and White

On Measure

= Depending on the elements

996.123

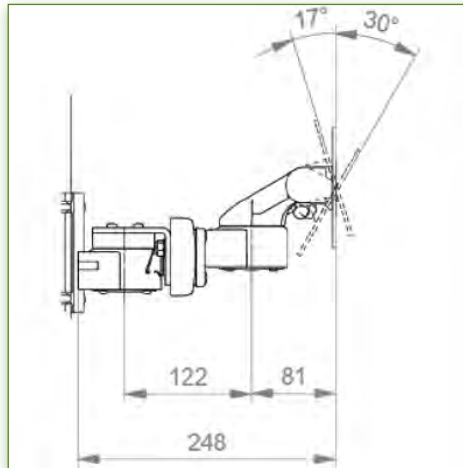
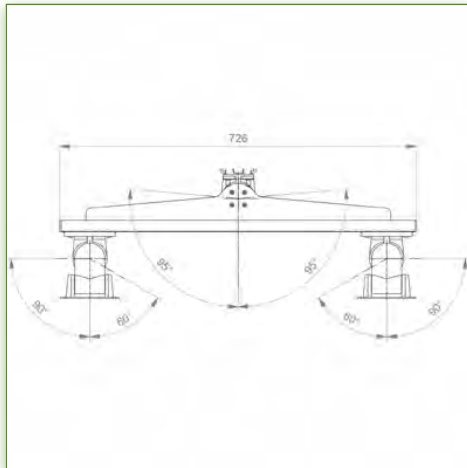
300 mm Medical Column Arm, for 4 back-to-back monitors, work surface mounting

This 300mm Medical Column Arm allows you to perfectly fix, orient and adjust four LCD screens, these are placed back-to-back. It is covered with an anti-microbial agent providing hygiene and cleaning in every detail.

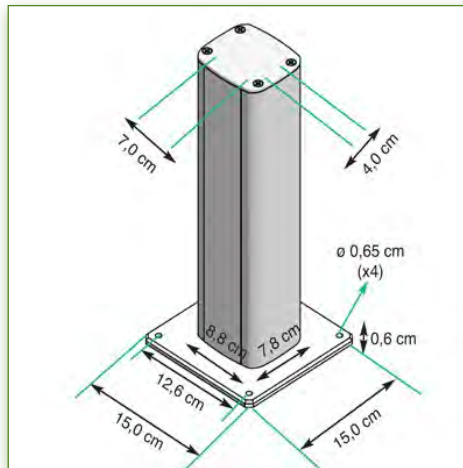
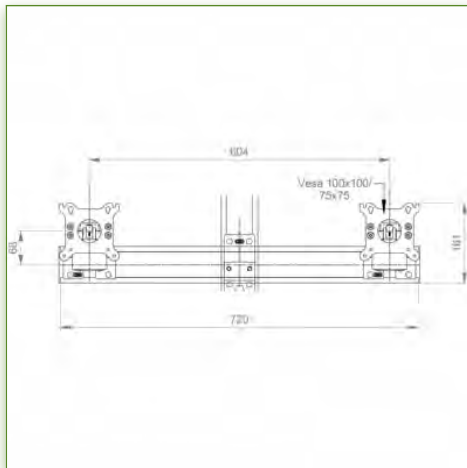
Its modern design has been specially designed for healthcare environments.

Technical characteristics:

- * Integrated cable entry
- * This column can be easily cut to size.
- * All cables run through the column, horizontal rail and mini arms. No cables are visible. Two cable covers are supplied with this configuration.
- * The column has a front and a back face allowing to add other elements, these are simply slipped into the column and then adjusted to the desired height and fixed. (see options below)
- * The heads of the 4 mini arms comply with the standard for mounting the screens: VESA MIS-D 75 mm and 100 mm. Tilt rotating head.
- * Compatible with screens up to 8 kg in weight. * Touch screen stability.
- * Mounting of 4 back-to-back screens
- * Screen tilt: 30° downwards and 17° upwards
- * Screen rotation: 60°/90° right, 90°/60° left.
- * Horizontal arm rotation: 95° right, 95° left.
- * Length of the horizontal arms: 728 mm
- * Column height: 300 mm
- * Compatible with multimedia terminals (TMM)
- * Color RAL 7024 (Graphite grey and White)
- * All our medical arms are in compliance: CE, ROHS, Medical Grade, Regulations MDD 93/42 ECC.
- * Warranty: 5 years



Display compatibility: 26" Wide (weight)
 Supported Weight: 8 Kg
 VESA standard: 75 / 100 mm
 Column height: 300 mm



Up to 26" Wide (weight)
 75/100 mm
 8 Kg



Do not hesitate to contact us if you have any questions about this product.

Warranty: 5 years

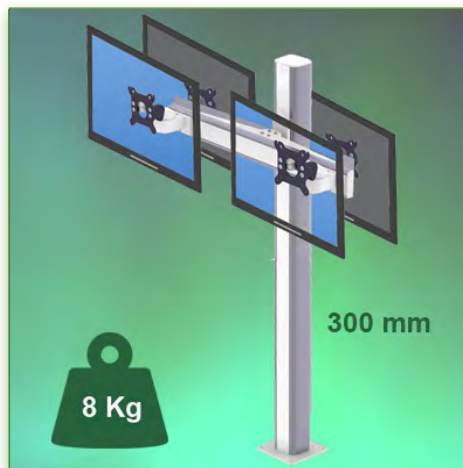
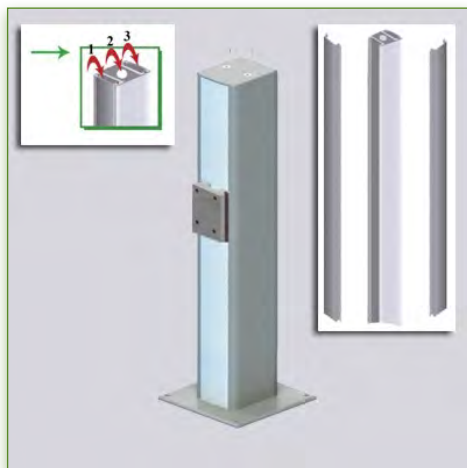
000.996.123

Graphite Grey and White

On Measure

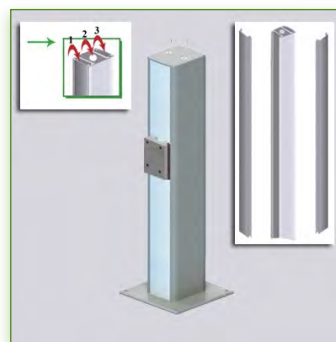
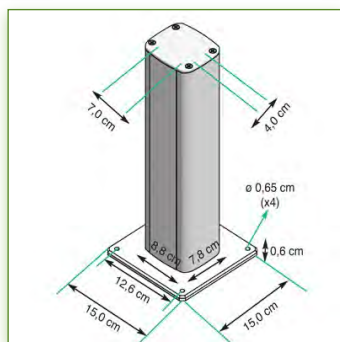
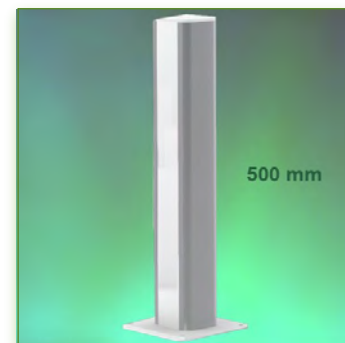
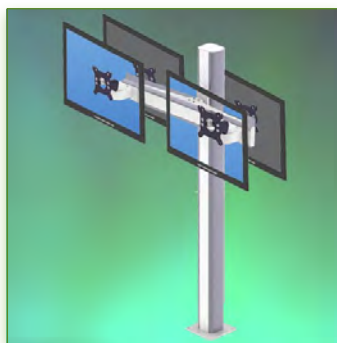
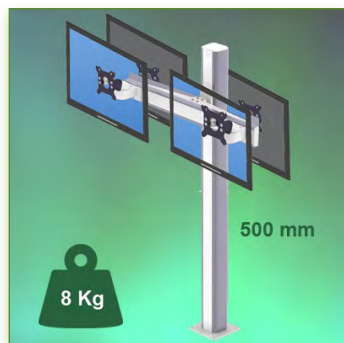
= Depending on the elements

996.123



Anti-bacterial properties:

IT medical arms are now designed with Microban antibacterial protection, a revolutionary treatment that guarantees optimal hygiene. IT medical arms integrate Microban and other antibacterial agents into all medical products. It inhibits the growth of bacteria of all types. This is not a surface treatment. It is 100% in the totality of the product. It does not alter the physico-mechanical properties of the medical arm lift system. Simulations over 30 years show that 100% of the antibacterial properties are maintained. All medical articulated arms incorporate Microban. Microban is the world's leading provider of anti-bacterial solutions. It has been successfully applied for more than 35 years in a wide range of products used in the hospital, construction and food industries.



Display compatibility: 26" Wide (weight)
 Supported Weight: 8 Kg
 VESA standard: 75 / 100 mm
 Column height: 500 mm

Up to 26" Wide (weight)
 75/100 mm
 8 Kg
MEDICAL GRADE

Do not hesitate to contact us if you have any questions about this product.

Warranty: 5 years

000.996.124

Graphite Grey and White

On Measure

= Depending on the elements

996.124

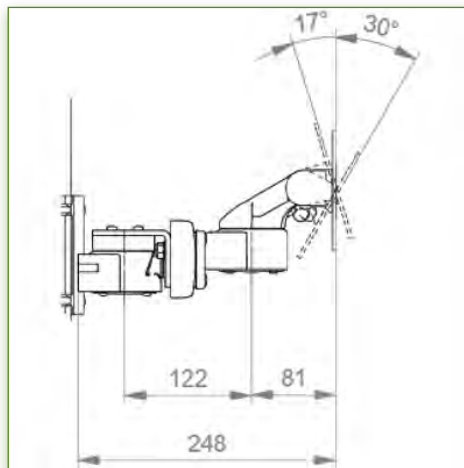
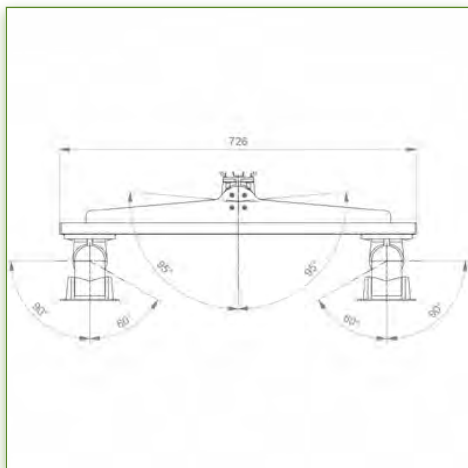
500 mm Medical Column Arm, for 4 back-to-back monitors, work surface mounting

This 500mm Medical Column Arm allows you to perfectly fix, orient and adjust four LCD screens, these are placed back-to-back. It is covered with an anti-microbial agent providing hygiene and cleaning in every detail.

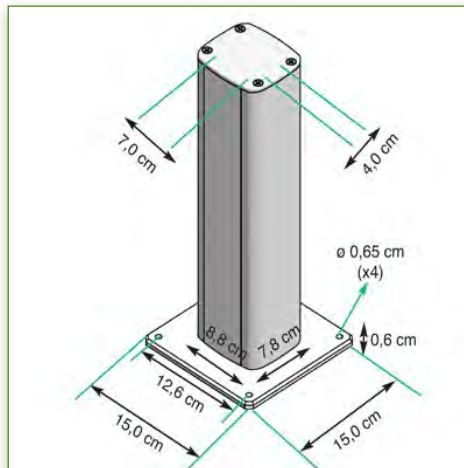
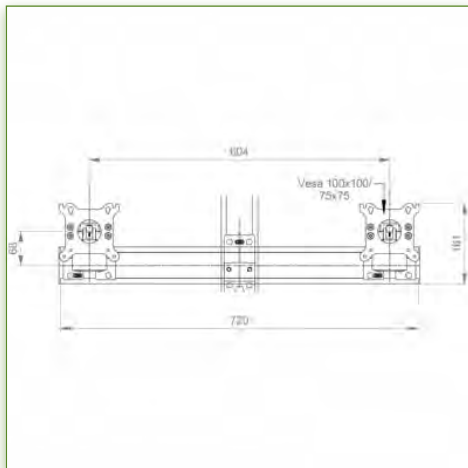
Its modern design has been specially designed for healthcare environments.

Technical characteristics:

- * Integrated cable entry
- * This column can be easily cut to size.
- * All cables run through the column, horizontal rail and mini arms. No cables are visible. Two cable covers are supplied with this configuration.
- * The column has a front and a back face allowing to add other elements, these are simply slipped into the column and then adjusted to the desired height and fixed. (see options below)
- * The heads of the 4 mini arms comply with the standard for mounting the screens: VESA MIS-D 75 mm and 100 mm. Tilt rotating head.
- * Compatible with screens up to 8 kg in weight.
- * Touch screen stability. * Mounting of 4 back-to-back screens
- * Screen tilt: 30° downwards and 17° upwards
- * Screen rotation: 60°/90° right, 90°/60° left.
- * Horizontal arm rotation: 95° right, 95° left.
- * Length of the horizontal arms: 728 mm
- * Column height: 500 mm
- * Compatible with multimedia terminals (TMM)
- * Color RAL 7024 (Graphite grey and White)
- * All our medical arms are in compliance: CE, ROHS, Medical Grade, Regulations MDD 93/42 ECC.
- * Warranty: 5 years



Display compatibility: 26" Wide (weight)
 Supported Weight: 8 Kg
 VESA standard: 75 / 100 mm
 Column height: 500 mm

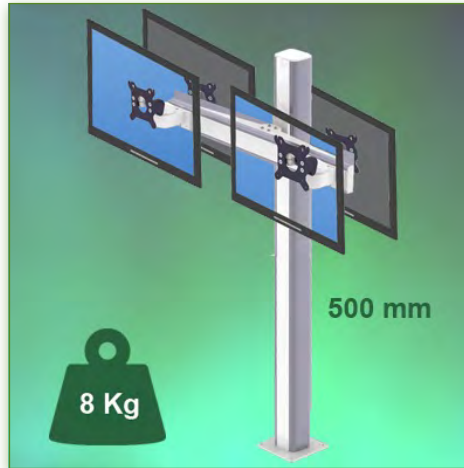
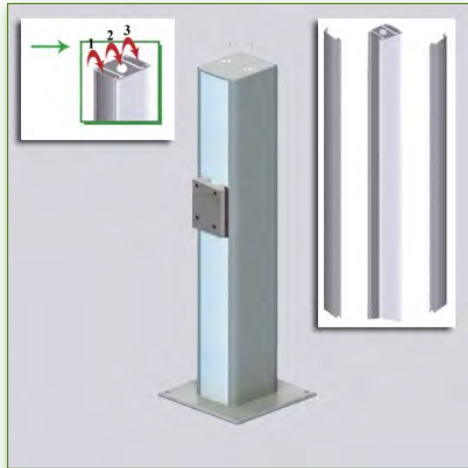


Up to 26" Wide (weight)
 75/100 mm
 8 Kg



Do not hesitate to contact us if you have any questions about this product.

- Warranty: 5 years**
- 000.996.124
- Graphite Grey and White
- On Measure
- = Depending on the elements
- 996.124



Anti-bacterial properties:

IT medical arms are now designed with Microban antibacterial protection, a revolutionary treatment that guarantees optimal hygiene. IT medical arms integrate Microban and other antibacterial agents into all medical products. It inhibits the growth of bacteria of all types. This is not a surface treatment. It is 100% in the totality of the product. It does not alter the physico-mechanical properties of the medical arm lift system. Simulations over 30 years show that 100% of the antibacterial properties are maintained. All medical articulated arms incorporate Microban. Microban is the world's leading provider of anti-bacterial solutions. It has been successfully applied for more than 35 years in a wide range of products used in the hospital, construction and food industries.

Medical arms for screen fixing on work surface

Optional Accessories for Column Arm only

OVERVIEW



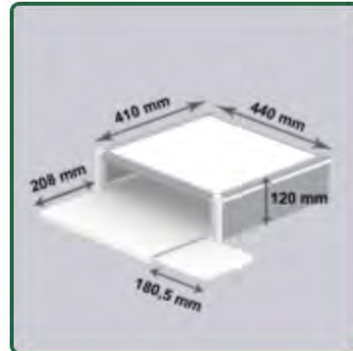
Single drawer, Vertical Slide Rail Mounting

Part Number: 999.149



Din Rail 10 x 25 mm. Length 300 mm.

Part Number: 999.150



Drawer and Keyboard Stand Vertical Slide Rail Mounting

Part Number: 999.151

If you don't find the right accessory for you, do not hesitate to contact us, we will help you in your search



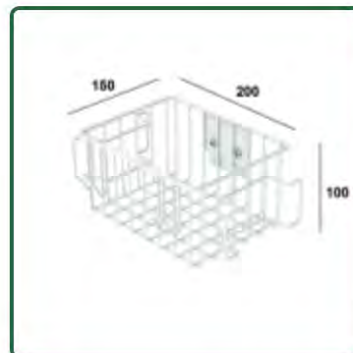
HD worktop, Vertical Slide Rail Mounting

Part Number: 999.153



Large service basket, vertical slide rail mounting

Part Number: 999.154



Small service basket, vertical slide rail mounting

Part Number: 999.155



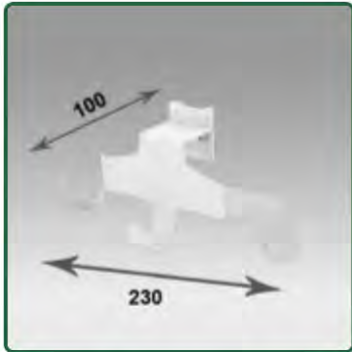
Double cable hooks for vertical slide rail mounting

Part Number: 999.156

Medical arms for screen fixing on work surface

Optional Accessories for Column Arm only

OVERVIEW



Triple cable hooks for vertical slide rail mounting

Part Number: 999.157



CPU Holder Adjustable 45-70 mm for vertical slide rail mounting

Part Number: 999.158



CPU Holder Adjustable 60-100 mm for vertical slide rail mounting glissière

Part Number: 999.159



CPU Holder Adjustable 85-150 mm for vertical slide rail mounting glissière

Part Number: 999.160



CPU Holder Adjustable 130-170 mm for vertical slide rail mounting

Part Number: 999.161



CPU Holder Adjustable 170-215 mm for vertical slide rail mounting

Part Number: 999.162



Universal Stand Adjustable 35-57 mm on vertical slide rail mounting

Part Number: 999.163



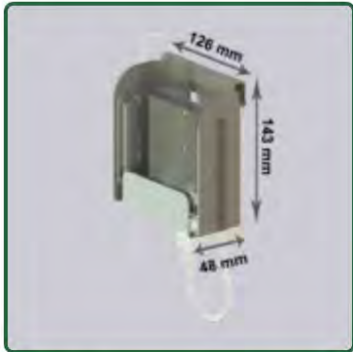
Universal Stand Adjustable 48-63 mm on vertical slide rail mounting

Part Number: 999.164

Medical arms for screen fixing on work surface

Optional Accessories for Column Arm only

OVERVIEW



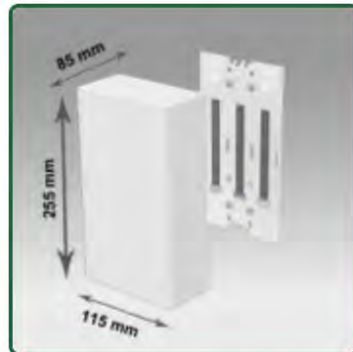
Power Supply Stand, Vertical slide rail mounting

Part Number: 999.165



Electrical power supply box 255 x 96 x 65 mm

Part Number: 999.166



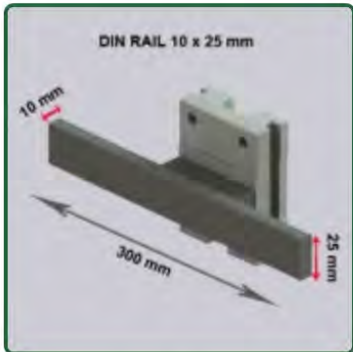
Electrical power supply box 255 x 115 x 85 mm

Part Number: 999.167



Electrical power supply box 255 x 165 x 85 mm

Part Number: 999.168



Din Rail 10 x 25 mm. Length 300 mm on vertical rail

Part Number: 999.169



Din Rail 10 x 25 mm. Length 400 mm on vertical rail

Part Number: 999.170



Din Rail 10 x 25 mm. Length 500 mm on vertical rail

Part Number: 999.171



Holder for 1 Medical Gas Bottle Vertical Rail Mounting

Part Number: 999.172

Medical arms for screen fixing on work surface
Optional Accessories for Column Arm only
OVERVIEW



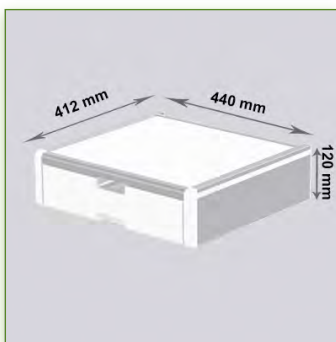
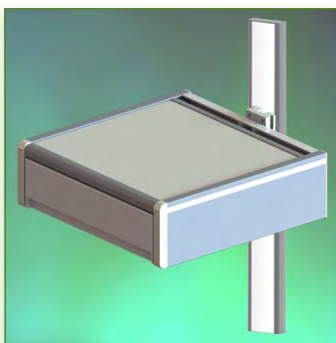
Holder for 2 Medical Gas
Bottle Vertical Rail Mounting

Part Number: 999.173



Holder for barcode hand
shower

Part Number: 999.174



Single drawer, Vertical Slide Rail Mounting

Part Number: 999.149



Do not hesitate to contact us if you have any questions about this product.



Warranty: 5 years



000.999.149



Graphite Grey and White



On Measure



= Depending on the elements



999.149

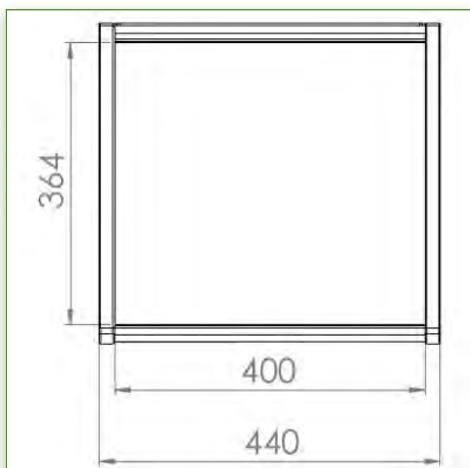
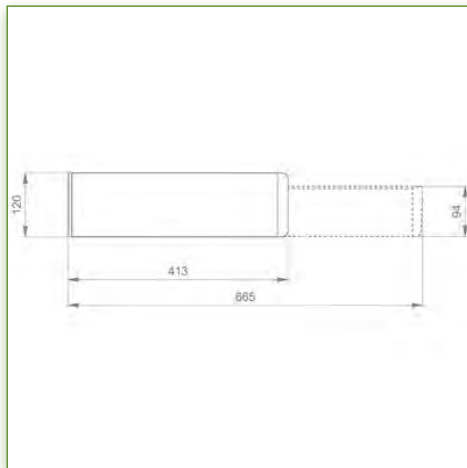
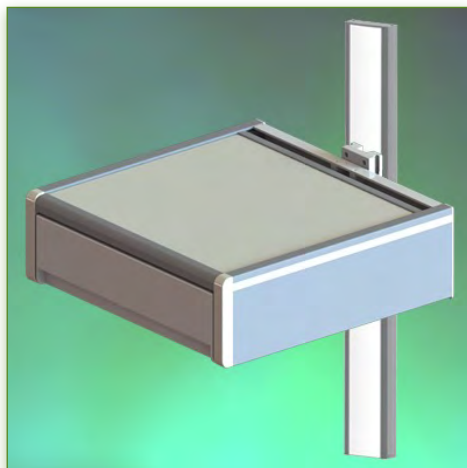
Single drawer Vertical wall rail mounting with cable channel.

A work surface with additional storage space and a sliding drawer.

It is coated with an anti-microbial agent offering hygiene and cleaning down to the last detail. Its modern design has been specially designed for healthcare environments.

Technical specifications:

- * Integrated cable channel
- * Optional Vertical Wall Rail Mounting, several lengths available (480 mm - 720 mm - 960 mm - 1200 mm).
- * Optional mounting on worktop or floor or ceiling column, several heights of which are available:
 (300 mm - 500 mm - 1500 mm - 2000 mm)
- These wall rails can be easily cut to the required size. All cables also pass through the wall rail.
- * Weight Supported by the drawer: 25 Kg
- * Working area 440 x 412 mm
- * Internal sliding drawer dimensions: 364 x 400 mm
- * Anodized, HPL and ABS (= anti-scratch, shock and scratch resistant) disinfectants)
- * Colour RAL 7024 (Graphite grey)
- * All our medical arms are in conformity:
 CE, ROHS, Medical Grade, Regulations MDD 93/42 ECC.
- * Warranty: 5 years



Single drawer, Vertical Slide Rail Mounting

Part Number: 999.149



Medical Grade



Do not hesitate to contact us if you have any questions about this product.



Warranty: 5 years



000.999.149



Graphite Grey and White



On Measure



= Depending on the elements



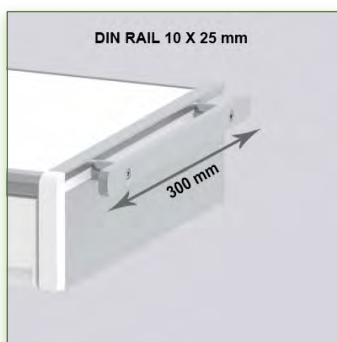
999.149

Anti-bacterial properties:

IT medical arms are now designed with Microban antibacterial protection, a revolutionary treatment that guarantees optimal hygiene. IT medical arms integrate Microban and other antibacterial agents into all medical products. It inhibits the growth of bacteria of all types. This is not a surface treatment.

It is 100% in the totality of the product. It does not alter the physico-mechanical properties of the medical arm lift system. Simulations over 30 years show that 100% of the antibacterial properties are maintained.

All medical articulated arms incorporate Microban. Microban is the world's leading provider of anti-bacterial solutions. It has been successfully applied for more than 35 years in a wide range of products used in the hospital, construction and food industries.



Din Rail 10 x 25 mm. Length 300 mm.

Part Number: 999.150



Do not hesitate to contact us if you have any questions about this product.



Warranty: 5 years



000.999.150



Graphite Grey and White



On Measure



= Depending on the elements



999.150

Din Rail 10 x 25 mm. Length 300 mm. To mount on the sides of a console monitor or drawer.

This Din Rail Horizontal adapter allows the fixing of all the elements having the Din Rail Horizontal interface and in particular the accessories.

Ideal complement when no Din Rails are available or absent. To mount on the sides of a console screen or drawer.

It is coated with an anti-microbial agent offering hygiene and cleaning down to the last detail. Its modern design has been specially designed for healthcare environments.

Technical specifications:

- * Length 300 mm
- * Mounting on the sides of a drawer or console screen left or right
- * Colour RAL 7024 (Graphite grey)
- * All our medical arms are in conformity: CE, ROHS, Medical Grade, Regulations MDD 93/42 ECC.
- * Warranty: 5 years



Din Rail 10 x 25 mm. Length 300 mm.

Part Number: 999.150



Medical Grade



Do not hesitate to contact us if you have any questions about this product.



Warranty: 5 years



000.999.150



Graphite Grey and White



On Measure



= Depending on the elements



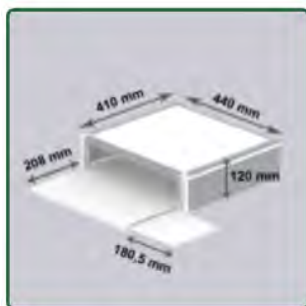
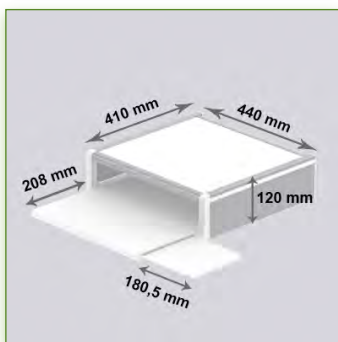
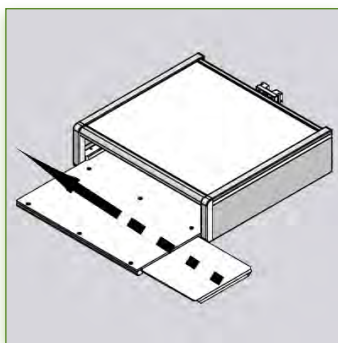
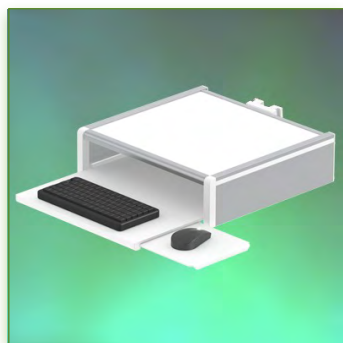
999.150

Anti-bacterial properties:

IT medical arms are now designed with Microban antibacterial protection, a revolutionary treatment that guarantees optimal hygiene. IT medical arms integrate Microban and other antibacterial agents into all medical products. It inhibits the growth of bacteria of all types. This is not a surface treatment.

It is 100% in the totality of the product. It does not alter the physico-mechanical properties of the medical arm lift system. Simulations over 30 years show that 100% of the antibacterial properties are maintained.

All medical articulated arms incorporate Microban. Microban is the world's leading provider of anti-bacterial solutions. It has been successfully applied for more than 35 years in a wide range of products used in the hospital, construction and food industries.



Drawer and Keyboard Stand
 Vertical Slide Rail Mounting

Part Number: 999.151



Do not hesitate to contact us if you have any questions about this product.



Warranty: 5 years



000.999.151



Graphite Grey and White



On Measure



= Depending on the elements



999.151

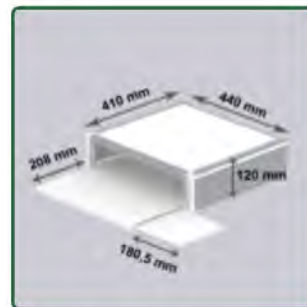
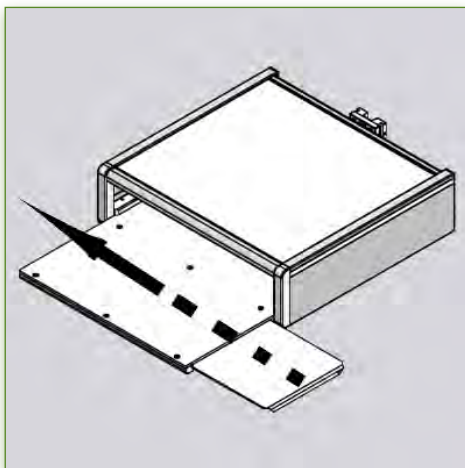
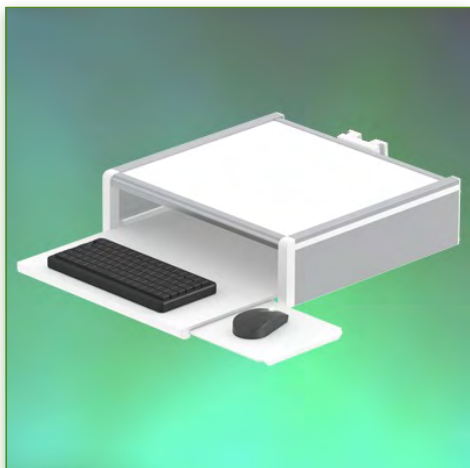
Drawer Keyboard Stand, Vertical Wall Rail Slide Mount

A work surface with additional storage space with integrated keyboard and mouse support.

It is coated with an anti-microbial agent offering hygiene and cleaning down to the last detail. Its modern design has been specially designed for healthcare environments.

Technical specifications:

- * Integrated cable channel
- * Optional Vertical Wall Rail Mounting, several lengths available (480 mm - 720 mm - 960 mm - 1200 mm).
 These wall rails can be easily cut to the required size. All cables also pass through the wall rail.
- * Optional mounting on worktop or floor or ceiling column, several heights of which are available:
 (300 mm - 500 mm - 1500 mm - 2000 mm)
- * Weight Supported by the drawer: 25 Kg * Working area 440 x 412 mm
- * Sliding mouse holder (right/left) with a usable mouse surface of 180.5 x 208 mm
- * Keyboard holder with 259.5 x 208 mm usable area
- * Anodized, HPL and ABS (= anti-scratch, shock and scratch resistant) disinfectants)
- * Colour RAL 7024 (Graphite grey)
- * All our medical arms are in conformity:
 CE, ROHS, Medical Grade, Regulations MDD 93/42 ECC.
- * Warranty: 5 years



Drawer and Keyboard Stand
 Vertical Slide Rail Mounting

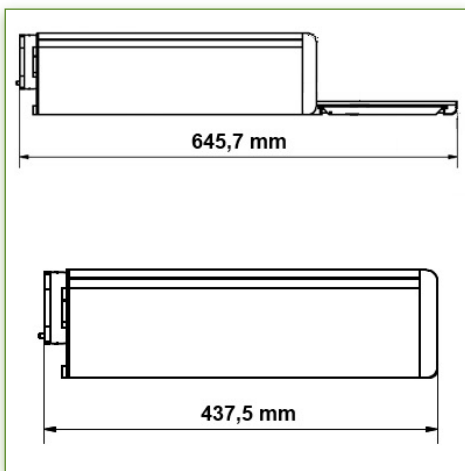
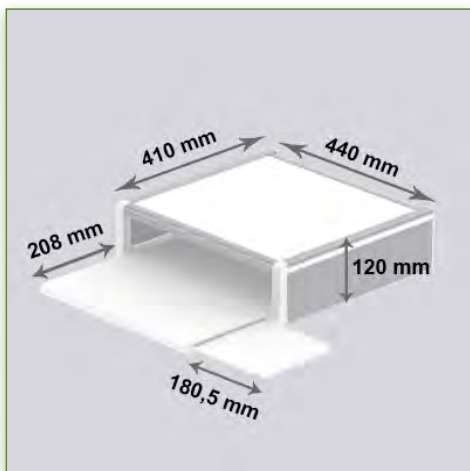
Part Number: 999.151



Medical Grade



Do not hesitate to contact us if you have any questions about this product.



Warranty: 5 years



000.999.151



Graphite Grey and White



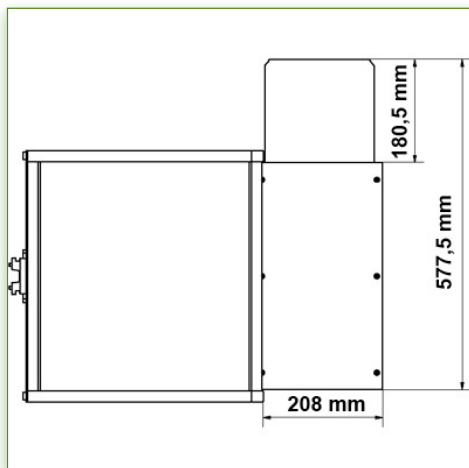
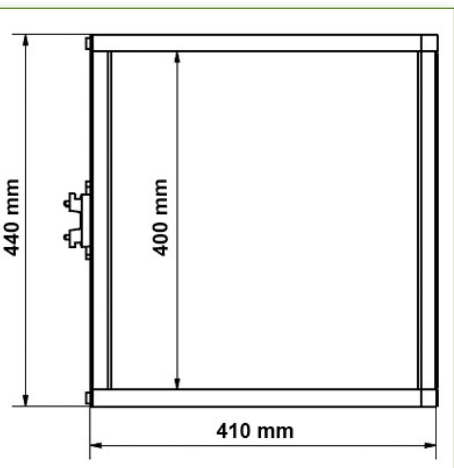
On Measure



= Depending on the elements

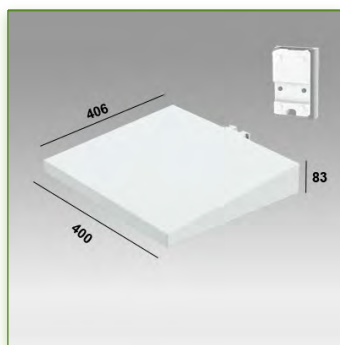


999.151



Anti-bacterial properties:

IT medical arms are now designed with Microban antibacterial protection, a revolutionary treatment that guarantees optimal hygiene. IT medical arms integrate Microban and other antibacterial agents into all medical products. It inhibits the growth of bacteria of all types. This is not a surface treatment. It is 100% in the totality of the product. It does not alter the physico-mechanical properties of the medical arm lift system. Simulations over 30 years show that 100% of the antibacterial properties are maintained. All medical articulated arms incorporate Microban. Microban is the world's leading provider of anti-bacterial solutions. It has been successfully applied for more than 35 years in a wide range of products used in the hospital, construction and food industries.



HD worktop, Vertical Slide Rail Mounting

Part Number: 999.153



Do not hesitate to contact us if you have any questions about this product.



Warranty: 5 years



000.999.153



Graphite Grey and White



On Measure



= Depending on the elements



999.153

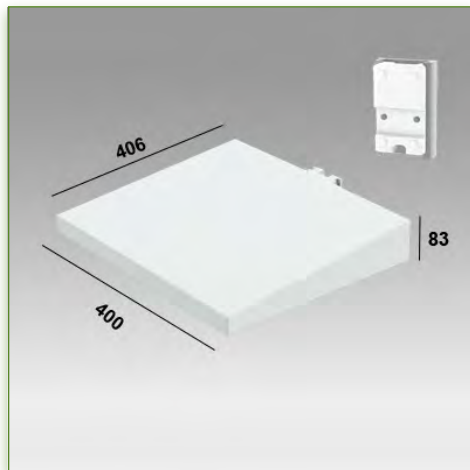
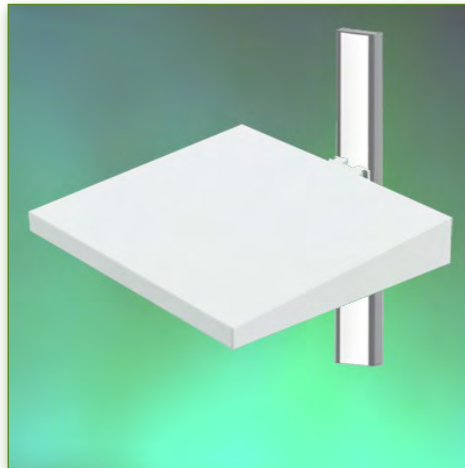
HD work surface Vertical Wall Rail Slide Mount

A complementary work surface covered with an anti-microbial agent offering hygiene and cleaning down to the last detail.

Its modern design has been specially designed for healthcare environments.

Technical specifications:

- * Optional Vertical Wall Rail Mounting, several lengths available (480 mm - 720 mm - 960 mm - 1200 mm). These wall rails can be easily cut to the required size. All cables also pass through the wall rail.
- * Optional mounting on worktop or floor or ceiling column, several heights of which are available: (300 mm - 500 mm - 1500 mm - 2000 mm)
- * Weight Supported by the work surface: 35 Kg
- * Working area 435 x 410 x 47 mm
- * Anodized, HPL and ABS (= anti-scratch, shock and scratch resistant) disinfectants)
- * Colour RAL 7024 (Graphite grey)
- * All our medical arms are in conformity: CE, ROHS, Medical Grade, Regulations MDD 93/42 ECC.
- * Warranty: 5 years



HD worktop, Vertical Slide Rail Mounting

Part Number: 999.153



Medical Grade



Do not hesitate to contact us if you have any questions about this product.



Warranty: 5 years



000.999.153



Graphite Grey and White



On Measure



= Depending on the elements



999.153

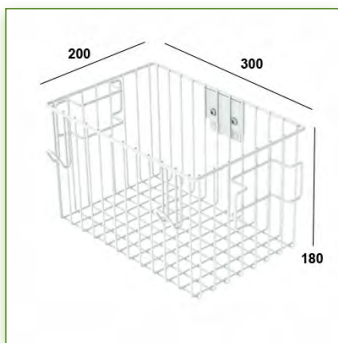
Anti-bacterial properties:

IT medical arms are now designed with Microban antibacterial protection, a revolutionary treatment that guarantees optimal hygiene. IT medical arms integrate Microban and other antibacterial agents into all medical products. It inhibits the growth of bacteria of all types. This is not a surface treatment.

It is 100% in the totality of the product.

It does not alter the physico-mechanical properties of the medical arm lift system. Simulations over 30 years show that 100% of the antibacterial properties are maintained.

All medical articulated arms incorporate Microban. Microban is the world's leading provider of anti-bacterial solutions. It has been successfully applied for more than 35 years in a wide range of products used in the hospital, construction and food industries.



Large service basket, vertical slide rail mounting
Part Number: 999.154



Do not hesitate to contact us if you have any questions about this product.



Warranty: 5 years



000.999.154



Anodised aluminium



On Measure



= Depending on the elements



999.154

Large service basket 200 x 300 x 180 mm on vertical sliding wall rail

Large service basket in anodised aluminium.

Its open structure allows direct access to its contents.

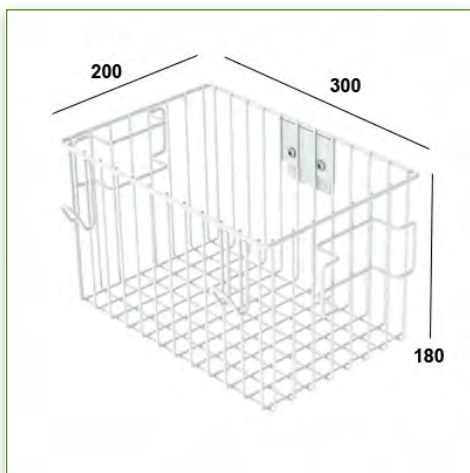
It is coated with an anti-microbial agent offering hygiene and cleaning down to the last detail. Its modern design has been specially designed for healthcare environments.


Technical specifications:







- * Optional Vertical Wall Rail Mounting, several lengths available (480 mm - 720 mm - 960 mm - 1200 mm). These wall rails can be easily cut to the required size. All cables also pass through the wall rail.
- * Optional mounting on worktop or floor or ceiling column, several heights of which are available: (300 mm - 500 mm - 1500 mm - 2000 mm)
- * Dimensions: 180 x 300 x 200 mm
- * Colour Anodised aluminium
- * All our medical arms are in conformity: CE, ROHS, Medical Grade, Regulations MDD 93/42 ECC.
- * Warranty: 5 years



Large service basket, vertical slide rail mounting
Part Number: 999.154

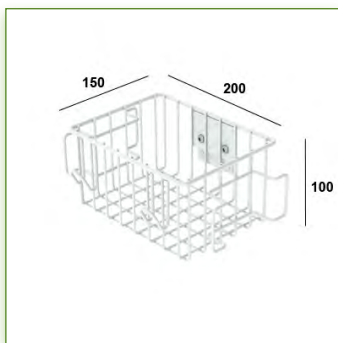


 Do not hesitate to contact us if you have any questions about this product.

-  Warranty: 5 years
-  000.999.154
-  Anodised aluminium
-  On Measure
-  = Depending on the elements
-  999.154

Anti-bacterial properties:

IT medical arms are now designed with Microban antibacterial protection, a revolutionary treatment that guarantees optimal hygiene. IT medical arms integrate Microban and other antibacterial agents into all medical products. It inhibits the growth of bacteria of all types. This is not a surface treatment. It is 100% in the totality of the product. It does not alter the physico-mechanical properties of the medical arm lift system. Simulations over 30 years show that 100% of the antibacterial properties are maintained. All medical articulated arms incorporate Microban. Microban is the world's leading provider of anti-bacterial solutions. It has been successfully applied for more than 35 years in a wide range of products used in the hospital, construction and food industries.



Small service basket, vertical slide rail mounting

Part Number: 999.155



Do not hesitate to contact us if you have any questions about this product.



Warranty: 5 years



000.999.155



Anodised aluminium



On Measure



= Depending on the elements



999.155

Small service basket 100 x 150 x 200 mm on vertical sliding wall rail

Small service basket in anodized aluminium.

Its open structure allows direct access to its contents.

It is coated with an anti-microbial agent offering hygiene and cleaning down to the last detail. Its modern design has been specially designed for healthcare environments.

Technical specifications:

- * Optional Vertical Wall Rail Mounting, several lengths available (480 mm - 720 mm - 960 mm - 1200 mm). These wall rails can be easily cut to the required size. All cables also pass through the wall rail.
- * Optional mounting on worktop or floor or ceiling column, several heights of which are available: (300 mm - 500 mm - 1500 mm - 2000 mm)
- * Dimensions: 100 x 150 x 200 mm
- * Colour Anodised aluminium
- * All our medical arms are in conformity: CE, ROHS, Medical Grade, Regulations MDD 93/42 ECC.
- * Warranty: 5 years



Small service basket, vertical slide rail mounting

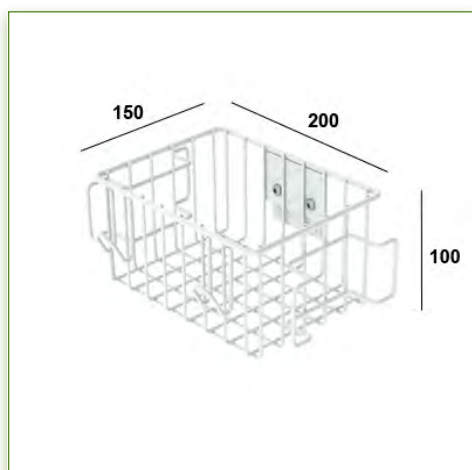
Part Number: 999.155



Medical Grade



Do not hesitate to contact us if you have any questions about this product.



Warranty: 5 years



000.999.155



Anodised aluminium



On Measure



= Depending on the elements



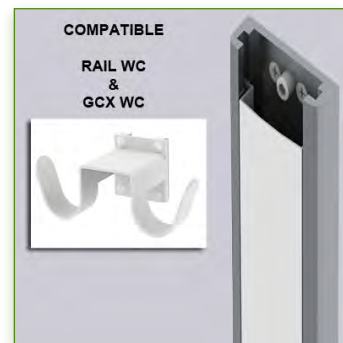
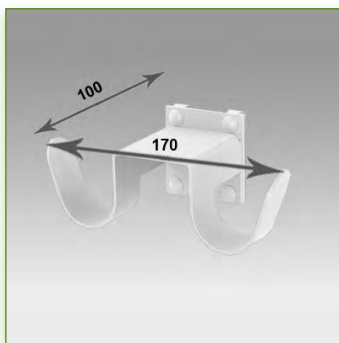
999.155

Anti-bacterial properties:

IT medical arms are now designed with Microban antibacterial protection, a revolutionary treatment that guarantees optimal hygiene. IT medical arms integrate Microban and other antibacterial agents into all medical products. It inhibits the growth of bacteria of all types. This is not a surface treatment.

It is 100% in the totality of the product. It does not alter the physico-mechanical properties of the medical arm lift system. Simulations over 30 years show that 100% of the antibacterial properties are maintained.

All medical articulated arms incorporate Microban. Microban is the world's leading provider of anti-bacterial solutions. It has been successfully applied for more than 35 years in a wide range of products used in the hospital, construction and food industries.



Double cable hooks for vertical slide rail mounting

Part Number: 999.156



Do not hesitate to contact us if you have any questions about this product.



Warranty: 5 years



000.999.156



Graphite grey



On Measure



= Depending on the elements



999.156

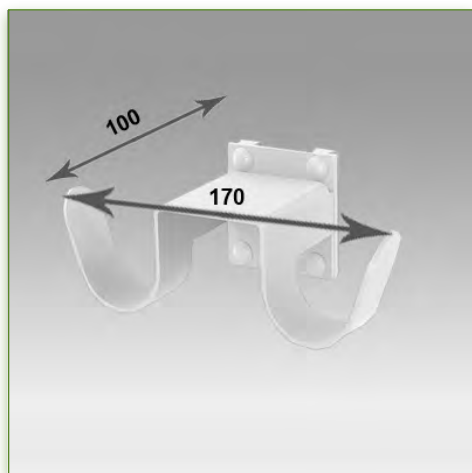
Double cable hooks for vertical sliding wall rail mounting

This cable hook with its vertical wall rail mounting interface is the ideal complement when certain cables that are too long have to be suspended.

It is coated with an anti-microbial agent offering hygiene and cleaning down to the last detail. Its modern design has been specially designed for healthcare environments.

Technical specifications:

- * Optional Vertical Wall Rail Mounting, several lengths available (480 mm - 720 mm - 960 mm - 1200 mm). These wall rails can be easily cut to the required size. All cables also pass through the wall rail.
- * Optional mounting on worktop or floor or ceiling column, several heights of which are available: (300 mm - 500 mm - 1500 mm - 2000 mm)
- * Cable hook with two pins
- * Length 170 mm
- * Wall Mount
- * Colour RAL 7024 (Graphite grey)
- * All our medical arms are in conformity: CE, ROHS, Medical Grade, Regulations MDD 93/42 ECC.
- * Warranty: 5 years



Double cable hooks for vertical slide rail mounting

Part Number: 999.156



Medical Grade



Do not hesitate to contact us if you have any questions about this product.



Warranty: 5 years



000.999.156



Graphite grey



On Measure



= Depending on the elements



999.156

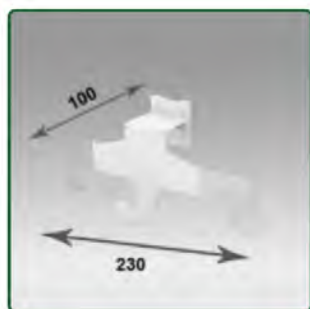
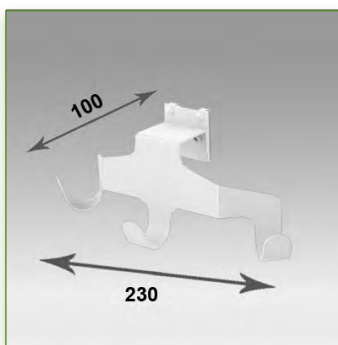
Anti-bacterial properties:

IT medical arms are now designed with Microban antibacterial protection, a revolutionary treatment that guarantees optimal hygiene. IT medical arms integrate Microban and other antibacterial agents into all medical products. It inhibits the growth of bacteria of all types. This is not a surface treatment.


It is 100% in the totality of the product.

It does not alter the physico-mechanical properties of the medical arm lift system. Simulations over 30 years show that 100% of the antibacterial properties are maintained.

All medical articulated arms incorporate Microban. Microban is the world's leading provider of anti-bacterial solutions. It has been successfully applied for more than 35 years in a wide range of products used in the hospital, construction and food industries.



Triple cable hooks for vertical slide rail mounting
 Part Number: 999.157

 Do not hesitate to contact us if you have any questions about this product.

 Warranty: 5 years

 000.999.157

 Graphite grey

 On Measure

 = Depending on the elements

 999.157

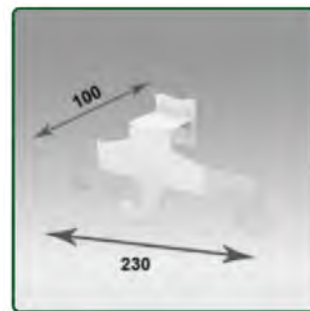
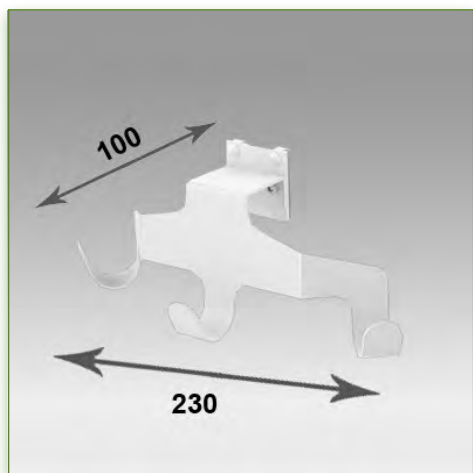
Triple cable hooks for vertical sliding wall rail mounting

This cable hook with its vertical wall rail mounting interface is the ideal complement when certain cables that are too long have to be suspended.

It is coated with an anti-microbial agent offering hygiene and cleaning down to the last detail. Its modern design has been specially designed for healthcare environments.

Technical specifications:

- * Optional Vertical Wall Rail Mounting, several lengths available (480 mm - 720 mm - 960 mm - 1200 mm). These wall rails can be easily cut to the required size. All cables also pass through the wall rail.
- * Optional mounting on worktop or floor or ceiling column, several heights of which are available: (300 mm - 500 mm - 1500 mm - 2000 mm)
- * Hook for cable with three pins
- * Length 230 mm
- * Wall Mount
- * Colour RAL 7024 (Graphite grey)
- * All our medical arms are in conformity: CE, ROHS, Medical Grade, Regulations MDD 93/42 ECC.
- * Warranty: 5 years



Triple cable hooks for vertical slide rail mounting

Part Number: 999.157



Medical Grade



Do not hesitate to contact us if you have any questions about this product.



Warranty: 5 years



000.999.157



Graphite grey



On Measure



= Depending on the elements



999.157

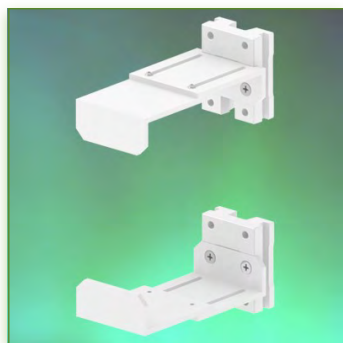
Anti-bacterial properties:

IT medical arms are now designed with Microban antibacterial protection, a revolutionary treatment that guarantees optimal hygiene. IT medical arms integrate Microban and other antibacterial agents into all medical products. It inhibits the growth of bacteria of all types. This is not a surface treatment.

It is 100% in the totality of the product.

It does not alter the physico-mechanical properties of the medical arm lift system. Simulations over 30 years show that 100% of the antibacterial properties are maintained.

All medical articulated arms incorporate Microban. Microban is the world's leading provider of anti-bacterial solutions. It has been successfully applied for more than 35 years in a wide range of products used in the hospital, construction and food industries.



CPU Holder Adjustable 45-70 mm for vertical slide rail mounting

Part Number: 999.158



Do not hesitate to contact us if you have any questions about this product.



Warranty: 5 years



000.999.158



Graphite Grey



On Measure



= Depending on the elements



999.158

Adjustable CPU Holder 45-70 mm on vertical sliding wall rail

Ce support CPU ajustable en largeur et en hauteur convient à la majorité des
 This CPU support is adjustable in width and height and is suitable for the majority of CPU's on the market.

It is coated with an anti-microbial agent offering hygiene and cleaning down to the last detail. Its modern design has been specially designed for healthcare environments.

Technical specifications:

- * Optional Vertical Wall Rail Mounting, several lengths available (480 mm - 720 mm - 960 mm - 1200 mm). These wall rails can be easily cut to the required size. All cables also pass through the wall rail.
- * Optional mounting on worktop or floor or ceiling column, several heights of which are available: (300 mm - 500 mm - 1500 mm - 2000 mm)
- * Adjustable in height according to the length of the wall rail
- * Adjustable width from 45 to 70 mm
- * Colour RAL 7024 (Graphite grey)
- * All our medical arms are in conformity: CE, ROHS, Medical Grade, Regulations MDD 93/42 ECC.
- * Warranty: 5 years



CPU Holder Adjustable 45-70 mm for vertical slide rail mounting

Part Number: 999.158



Medical Grade



Do not hesitate to contact us if you have any questions about this product.



COMPATIBLE

**RAIL WC
&
GCX WC**



Warranty: 5 years



000.999.158



Graphite Grey



On Measure



= Depending on the elements



999.158

Anti-bacterial properties:

IT medical arms are now designed with Microban antibacterial protection, a revolutionary treatment that guarantees optimal hygiene. IT medical arms integrate Microban and other antibacterial agents into all medical products. It inhibits the growth of bacteria of all types. This is not a surface treatment.

It is 100% in the totality of the product.

It does not alter the physico-mechanical properties of the medical arm lift system. Simulations over 30 years show that 100% of the antibacterial properties are maintained.

All medical articulated arms incorporate Microban. Microban is the world's leading provider of anti-bacterial solutions. It has been successfully applied for more than 35 years in a wide range of products used in the hospital, construction and food industries.



CPU Holder Adjustable
60-100 mm for vertical slide
rail mounting glissière

Part Number: 999.159



Do not hesitate to contact us if you have any questions about this product.



Warranty: 5 years



000.999.159



Graphite Grey



On Measure



= Depending on the elements



999.159

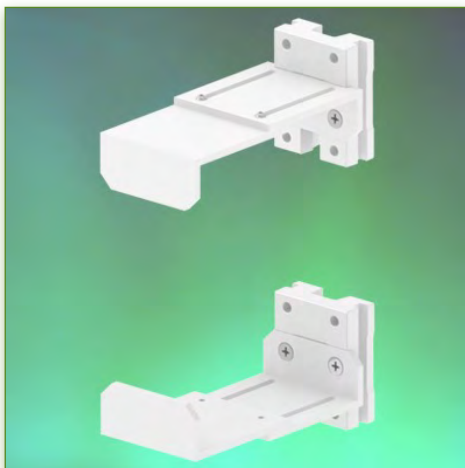
Adjustable CPU Holder 60-100 mm on vertical sliding wall rail

This CPU support is adjustable in width and height and is suitable for the majority of CPU's on the market.

It is coated with an anti-microbial agent offering hygiene and cleaning down to the last detail. Its modern design has been specially designed for healthcare environments.

Technical specifications:

- * Optional Vertical Wall Rail Mounting, several lengths available (480 mm - 720 mm - 960 mm - 1200 mm). These wall rails can be easily cut to the required size. All cables also pass through the wall rail.
- * Optional mounting on worktop or floor or ceiling column, several heights of which are available: (300 mm - 500 mm - 1500 mm - 2000 mm)
- * Adjustable in height according to the length of the wall rail
- * Adjustable width from 60 to 100 mm
- * Colour RAL 7024 (Graphite grey)
- * All our medical arms are in conformity: CE, ROHS, Medical Grade, Regulations MDD 93/42 ECC.
- * Warranty: 5 years



CPU Holder Adjustable
60-100 mm for vertical slide
rail mounting glissière

Part Number: 999.159



Medical Grade



Do not hesitate to contact us if you have any questions about this product.



Warranty: 5 years



000.999.159



Graphite Grey



On Measure



= Depending on the elements



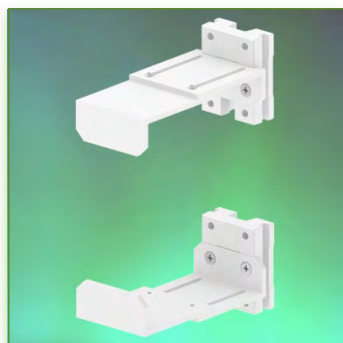
999.159

Anti-bacterial properties:

IT medical arms are now designed with Microban antibacterial protection, a revolutionary treatment that guarantees optimal hygiene. IT medical arms integrate Microban and other antibacterial agents into all medical products. It inhibits the growth of bacteria of all types. This is not a surface treatment. It is 100% in the totality of the product.

It does not alter the physico-mechanical properties of the medical arm lift system. Simulations over 30 years show that 100% of the antibacterial properties are maintained.

All medical articulated arms incorporate Microban. Microban is the world's leading provider of anti-bacterial solutions. It has been successfully applied for more than 35 years in a wide range of products used in the hospital, construction and food industries.



CPU Holder Adjustable
 85-150 mm for vertical slide
 rail mounting glissière

Part Number: 999.160



Do not hesitate to contact us if you have any questions about this product.



Warranty: 5 years



000.999.160



Graphite Grey



On Measure



= Depending on the elements



999.160

Adjustable CPU Holder 85-150 mm on vertical sliding wall rail

This CPU support is adjustable in width and height and is suitable for the majority of CPU's on the market.

It is coated with an anti-microbial agent offering hygiene and cleaning down to the last detail. Its modern design has been specially designed for healthcare environments.

Technical specifications:

* Optional Vertical Wall Rail Mounting, several lengths available (480 mm - 720 mm - 960 mm - 1200 mm).

These wall rails can be easily cut to the required size. All cables also pass through the wall rail.

* Optional mounting on worktop or floor or ceiling column, several heights of which are available:
 (300 mm - 500 mm - 1500 mm - 2000 mm)

* Adjustable in height according to the length of the wall rail

* Adjustable width from 85 to 150 mm

* Colour RAL 7024 (Graphite grey)

* All our medical arms are in conformity:
 CE, ROHS, Medical Grade, Regulations MDD 93/42 ECC.

* Warranty: 5 years



CPU Holder Adjustable
85-150 mm for vertical slide
rail mounting glissière

Part Number: 999.160



Medical Grade



Do not hesitate to contact us if you have any questions about this product.



Warranty: 5 years



000.999.160



Graphite Grey



On Measure



= Depending on the elements



999.160



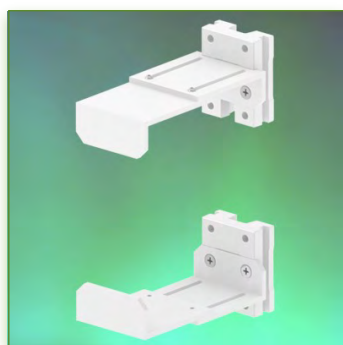
COMPATIBLE
RAIL WC
&
GCX WC

Anti-bacterial properties:

IT medical arms are now designed with Microban antibacterial protection, a revolutionary treatment that guarantees optimal hygiene. IT medical arms integrate Microban and other antibacterial agents into all medical products. It inhibits the growth of bacteria of all types. This is not a surface treatment.

It is 100% in the totality of the product. It does not alter the physico-mechanical properties of the medical arm lift system. Simulations over 30 years show that 100% of the antibacterial properties are maintained.

All medical articulated arms incorporate Microban. Microban is the world's leading provider of anti-bacterial solutions. It has been successfully applied for more than 35 years in a wide range of products used in the hospital, construction and food industries.



CPU Holder Adjustable
 130-170 mm for vertical slide
 rail mounting
 Part Number: 999.161

Do not hesitate to contact us if you have any questions about this product.

Warranty: 5 years

000.999.161

Graphite Grey

On Measure

= Depending on the elements

999.161

Adjustable CPU Holder 130-170 mm on vertical sliding wall rail

This CPU support is adjustable in width and height and is suitable for the majority of CPU's on the market. It is coated with an anti-microbial agent offering hygiene and cleaning down to the last detail. Its modern design has been specially designed for healthcare environments.

Technical specifications:

- * Optional Vertical Wall Rail Mounting, several lengths available (480 mm - 720 mm - 960 mm - 1200 mm).
- These wall rails can be easily cut to the required size. All cables also pass through the wall rail.
- * Optional mounting on worktop or floor or ceiling column, several heights of which are available: (300 mm - 500 mm - 1500 mm - 2000 mm)
- * Adjustable in height according to the length of the wall rail
- * Adjustable width from 130 to 170 mm
- * Colour RAL 7024 (Graphite grey)
- * All our medical arms are in conformity: CE, ROHS, Medical Grade, Regulations MDD 93/42 ECC.
- * Warranty: 5 years



CPU Holder Adjustable
130-170 mm for vertical slide
rail mounting
Part Number: 999.161



Medical Grade



Do not hesitate to contact us if you have any questions about this product.



Warranty: 5 years



000.999.161



Graphite Grey



On Measure



= Depending on the elements



999.161

Anti-bacterial properties:

IT medical arms are now designed with Microban antibacterial protection, a revolutionary treatment that guarantees optimal hygiene. IT medical arms integrate Microban and other antibacterial agents into all medical products. It inhibits the growth of bacteria of all types. This is not a surface treatment.

It is 100% in the totality of the product.

It does not alter the physico-mechanical properties of the medical arm lift system. Simulations over 30 years show that 100% of the antibacterial properties are maintained.

All medical articulated arms incorporate Microban. Microban is the world's leading provider of anti-bacterial solutions. It has been successfully applied for more than 35 years in a wide range of products used in the hospital, construction and food industries.



CPU Holder Adjustable
 170-215 mm for vertical slide
 rail mounting

Part Number: 999.162



Do not hesitate to contact us if you have any questions about this product.



Warranty: 5 years



000.999.162



Graphite Grey



On Measure



= Depending on the elements



999.162

Adjustable CPU Holder 170-215 mm on vertical sliding wall rail

This CPU support is adjustable in width and height and is suitable for the majority of CPU's on the market.

It is coated with an anti-microbial agent offering hygiene and cleaning down to the last detail. Its modern design has been specially designed for healthcare environments.

Technical specifications:

* Optional Vertical Wall Rail Mounting, several lengths available (480 mm - 720 mm - 960 mm - 1200 mm).

These wall rails can be easily cut to the required size. All cables also pass through the wall rail.

* Optional mounting on worktop or floor or ceiling column, several heights of which are available:
 (300 mm - 500 mm - 1500 mm - 2000 mm)

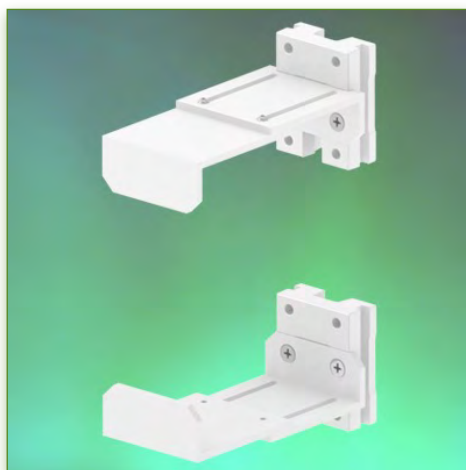
* Adjustable in height according to the length of the wall rail

* Adjustable width from 170 to 215 mm

* Colour RAL 7024 (Graphite grey)

* All our medical arms are in conformity:
 CE, ROHS, Medical Grade, Regulations MDD 93/42 ECC.

* Warranty: 5 years



CPU Holder Adjustable
170-215 mm for vertical slide
rail mounting

Part Number: 999.162



Medical Grade



Do not hesitate to contact us if you have any questions about this product.



COMPATIBLE
RAIL WC
&
GCX WC



Warranty: 5 years



000.999.162



Graphite Grey



On Measure



= Depending on the elements



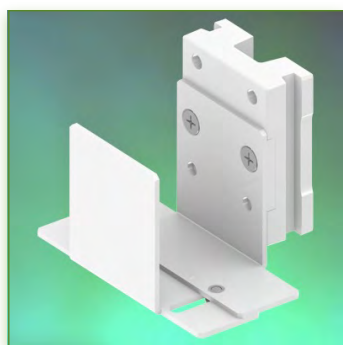
999.162

Anti-bacterial properties:

IT medical arms are now designed with Microban antibacterial protection, a revolutionary treatment that guarantees optimal hygiene. IT medical arms integrate Microban and other antibacterial agents into all medical products. It inhibits the growth of bacteria of all types. This is not a surface treatment.

It is 100% in the totality of the product. It does not alter the physico-mechanical properties of the medical arm lift system. Simulations over 30 years show that 100% of the antibacterial properties are maintained.

All medical articulated arms incorporate Microban. Microban is the world's leading provider of anti-bacterial solutions. It has been successfully applied for more than 35 years in a wide range of products used in the hospital, construction and food industries.



Universal Stand Adjustable
 35-57 mm on vertical slide rail
 mounting
 Part Number: 999.163

Do not hesitate to contact us if you have any questions about this product.

Warranty: 5 years

000.999.163

Graphite Grey

On Measure

= Depending on the elements

999.163

Adjustable 35-57 mm Universal Holder on vertical sliding wall rail

This universal adjustable width and height support is suitable for the majority of small machines on the market.

It is coated with an anti-microbial agent offering hygiene and cleaning down to the last detail. Its modern design has been specially designed for healthcare environments.

Technical specifications:

* Optional Vertical Wall Rail Mounting, several lengths available (480 mm - 720 mm - 960 mm - 1200 mm).

These wall rails can be easily cut to the required size. All cables also pass through the wall rail.

* Optional mounting on worktop or floor or ceiling column, several heights of which are available:
 (300 mm - 500 mm - 1500 mm - 2000 mm)

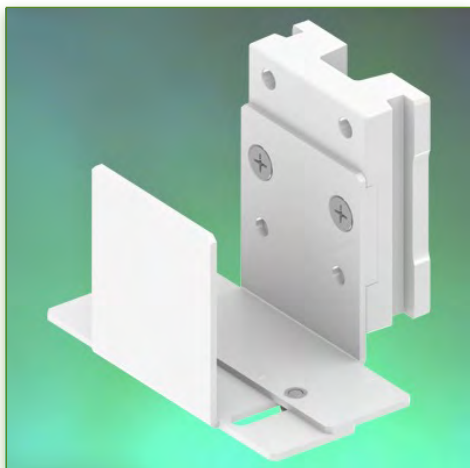
* Adjustable in height according to the length of the wall rail

* Adjustable width from 35 to 57 mm

* Colour RAL 7024 (Graphite grey)


* All our medical arms are in conformity:
 CE, ROHS, Medical Grade, Regulations MDD 93/42 ECC.







* Warranty: 5 years



Universal Stand Adjustable
35-57 mm on vertical slide rail
mounting
Part Number: 999.163

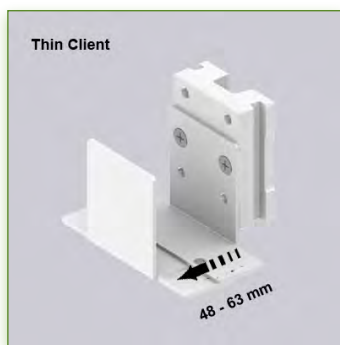
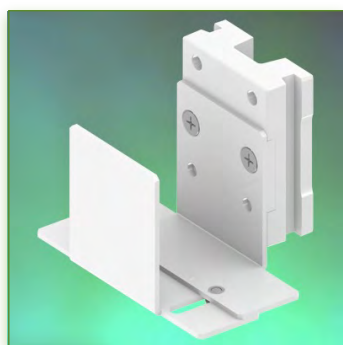


 Do not hesitate to contact us if you have any questions about this product.

-  Warranty: 5 years
-  000.999.163
-  Graphite Grey
-  On Measure
-  = Depending on the elements
-  999.163

Anti-bacterial properties:

IT medical arms are now designed with Microban antibacterial protection, a revolutionary treatment that guarantees optimal hygiene. IT medical arms integrate Microban and other antibacterial agents into all medical products. It inhibits the growth of bacteria of all types. This is not a surface treatment. It is 100% in the totality of the product. It does not alter the physico-mechanical properties of the medical arm lift system. Simulations over 30 years show that 100% of the antibacterial properties are maintained. All medical articulated arms incorporate Microban. Microban is the world's leading provider of anti-bacterial solutions. It has been successfully applied for more than 35 years in a wide range of products used in the hospital, construction and food industries.



Universal Stand Adjustable
 48-63 mm on vertical slide rail
 mounting
 Part Number: 999.164

Do not hesitate to contact us if you have any questions about this product.

Warranty: 5 years

000.999.164

Graphite Grey

On Measure

= Depending on the elements

999.164

Adjustable 48-63 mm Universal Holder on vertical sliding wall rail

This universal adjustable width and height support is suitable for the majority of small machines on the market.

It is coated with an anti-microbial agent offering hygiene and cleaning down to the last detail. Its modern design has been specially designed for healthcare environments.

Technical specifications:

* Optional Vertical Wall Rail Mounting, several lengths available (480 mm - 720 mm - 960 mm - 1200 mm).

These wall rails can be easily cut to the required size. All cables also pass through the wall rail.

* Optional mounting on worktop or floor or ceiling column, several heights of which are available:
 (300 mm - 500 mm - 1500 mm - 2000 mm)

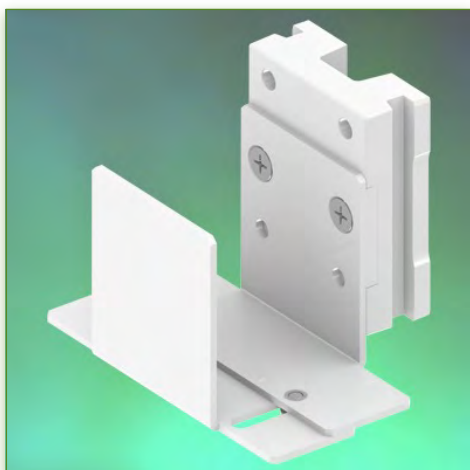
* Adjustable in height according to the length of the wall rail

* Adjustable width from 48 to 63 mm

* Colour RAL 7024 (Graphite grey)

* All our medical arms are in conformity:
 CE, ROHS, Medical Grade, Regulations MDD 93/42 ECC.

* Warranty: 5 years



Universal Stand Adjustable
48-63 mm on vertical slide rail
mounting
Part Number: 999.164



Medical Grade



Do not hesitate to contact us if you have any questions about this product.



Warranty: 5 years



000.999.164



Graphite Grey



On Measure



= Depending on the elements



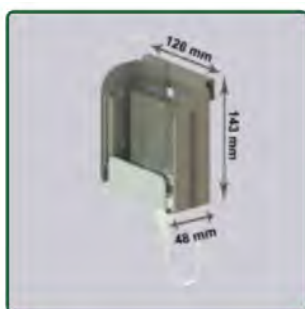
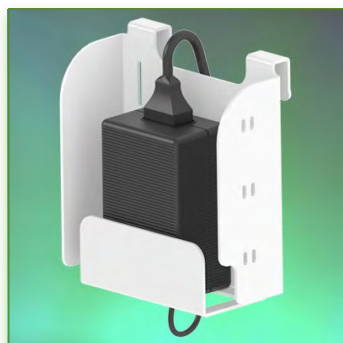
999.164

Anti-bacterial properties:


IT medical arms are now designed with Microban antibacterial protection, a revolutionary treatment that guarantees optimal hygiene. IT medical arms integrate Microban and other antibacterial agents into all medical products. It inhibits the growth of bacteria of all types. This is not a surface treatment.

It is 100% in the totality of the product. It does not alter the physico-mechanical properties of the medical arm lift system. Simulations over 30 years show that 100% of the antibacterial properties are maintained.

All medical articulated arms incorporate Microban. Microban is the world's leading provider of anti-bacterial solutions. It has been successfully applied for more than 35 years in a wide range of products used in the hospital, construction and food industries.



Power Supply Stand, Vertical slide rail mounting
 Part Number: 999.165

 Do not hesitate to contact us if you have any questions about this product.

 **Warranty: 5 years**

 000.999.165

 Graphite Grey

 On Measure

 = Depending on the elements

 999.165

Holder Power supply 126 x 143 48 mm Mounting on vertical sliding wall rail

Anodized aluminum power supply storage holder.

It is coated with an anti-microbial agent offering hygiene and cleaning down to the last detail. Its modern design has been specially designed for healthcare environments.

Technical specifications:

* Optional Vertical Wall Rail Mounting, several lengths available (480 mm - 720 mm - 960 mm - 1200 mm).

These wall rails can be easily cut to the required size. All cables also pass through the wall rail.

* Optional mounting on worktop or floor or ceiling column, several heights of which are available:
 (300 mm - 500 mm - 1500 mm - 2000 mm)

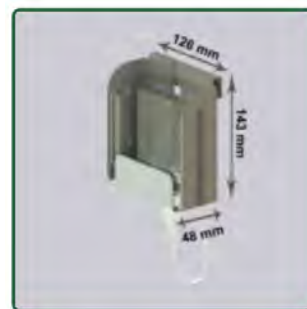
* Suitable for most power supplies on the market

* Dimensions: 143 x 126 x 48 mm

* Colour RAL 7024 (Graphite grey)

* All our medical arms are in conformity:
 CE, ROHS, Medical Grade, Regulations MDD 93/42 ECC.

* Warranty: 5 years



Power Supply Stand, Vertical slide rail mounting

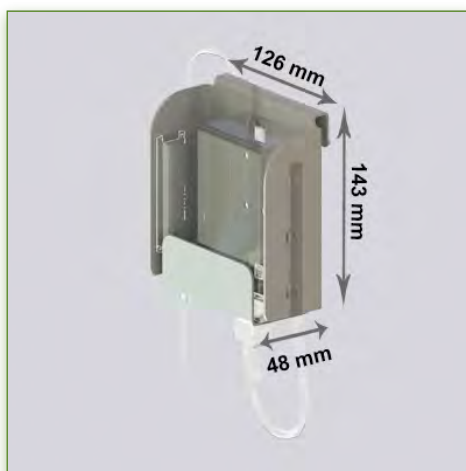
Part Number: 999.165



Medical Grade



Do not hesitate to contact us if you have any questions about this product.



Warranty: 5 years



000.999.165



Graphite Grey



On Measure



= Depending on the elements



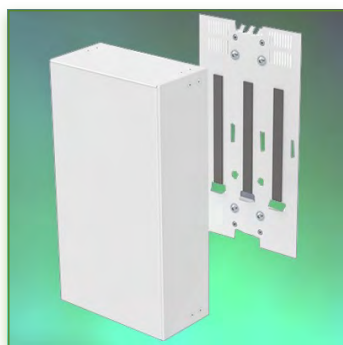
999.165

Anti-bacterial properties:

IT medical arms are now designed with Microban antibacterial protection, a revolutionary treatment that guarantees optimal hygiene. IT medical arms integrate Microban and other antibacterial agents into all medical products. It inhibits the growth of bacteria of all types. This is not a surface treatment.

It is 100% in the totality of the product. It does not alter the physico-mechanical properties of the medical arm lift system. Simulations over 30 years show that 100% of the antibacterial properties are maintained.

All medical articulated arms incorporate Microban. Microban is the world's leading provider of anti-bacterial solutions. It has been successfully applied for more than 35 years in a wide range of products used in the hospital, construction and food industries.



Electrical power supply box
255 x 96 x 65 mm

Part Number: 999.166



Do not hesitate to contact us if you have any questions about this product.



Warranty: 5 years



000.999.166



Graphite Grey



On Measure



= Depending on the elements



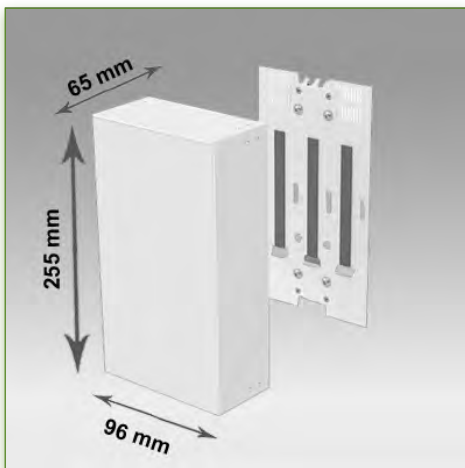
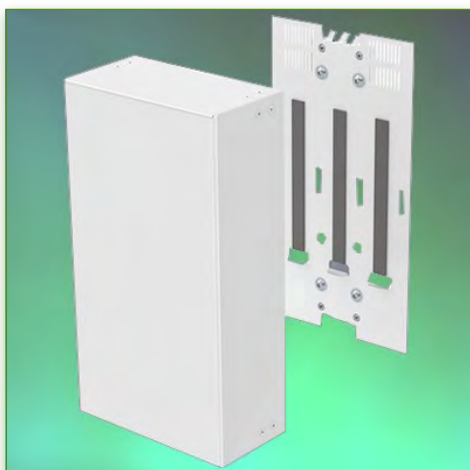
999.166

Power supply housing 255 x 96 x 65 mm Mounting on vertical sliding wall rail

Storage housing for power supply in anodised aluminium. It is coated with an anti-microbial agent offering hygiene and cleaning down to the last detail. Its modern design has been specially designed for healthcare environments.

Technical specifications:

- * Optional Vertical Wall Rail Mounting, several lengths available (480 mm - 720 mm - 960 mm - 1200 mm). These wall rails can be easily cut to the required size. All cables also pass through the wall rail.
- * Optional mounting on worktop or floor or ceiling column, several heights of which are available: (300 mm - 500 mm - 1500 mm - 2000 mm)
- * Suitable for most power supplies on the market
- * Dimensions: 255 x 96 x 65 mm
- * Housing ventilated through ventilation holes to prevent overheating
- * Designed for one power supply
- * Colour RAL 7024 (Graphite grey)
- * All our medical arms are in conformity: CE, ROHS, Medical Grade, Regulations MDD 93/42 ECC.
- * Warranty: 5 years



Electrical power supply box
255 x 96 x 65 mm

Part Number: 999.166



Medical Grade



Do not hesitate to contact us if you have any questions about this product.



Warranty: 5 years



000.999.166



Graphite Grey



On Measure



= Depending on the elements



999.166

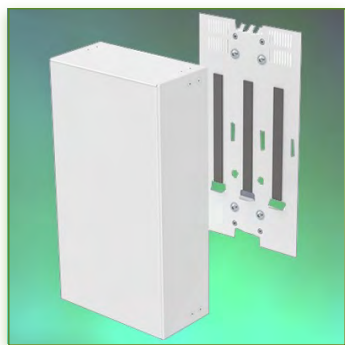
Anti-bacterial properties:

IT medical arms are now designed with Microban antibacterial protection, a revolutionary treatment that guarantees optimal hygiene. IT medical arms integrate Microban and other antibacterial agents into all medical products. It inhibits the growth of bacteria of all types. This is not a surface treatment.

It is 100% in the totality of the product.

It does not alter the physico-mechanical properties of the medical arm lift system. Simulations over 30 years show that 100% of the antibacterial properties are maintained.

All medical articulated arms incorporate Microban. Microban is the world's leading provider of anti-bacterial solutions. It has been successfully applied for more than 35 years in a wide range of products used in the hospital, construction and food industries.



Electrical power supply box
255 x 115 x 85 mm

Part Number: 999.167



Do not hesitate to contact us if you have any questions about this product.



Warranty: 5 years



000.999.167



Graphite Grey



On Measure



= Depending on the elements



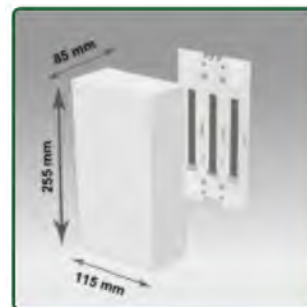
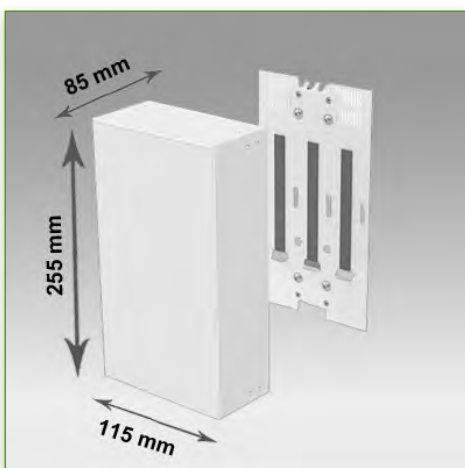
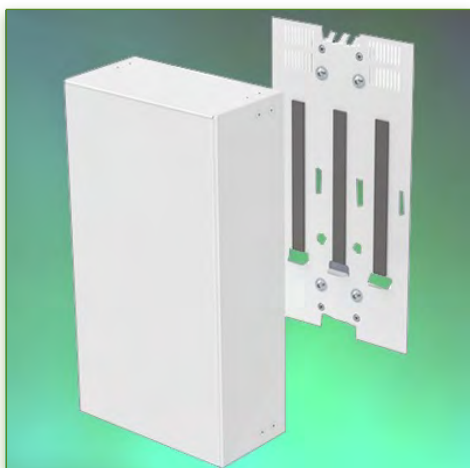
999.167

Power supply housing 255 x 115 x 85 mm Mounting on vertical sliding wall rail

Storage housing for power supply in anodised aluminium. It is coated with an anti-microbial agent offering hygiene and cleaning down to the last detail. Its modern design has been specially designed for healthcare environments.

Technical specifications:

- * Optional Vertical Wall Rail Mounting, several lengths available (480 mm - 720 mm - 960 mm - 1200 mm). These wall rails can be easily cut to the required size. All cables also pass through the wall rail.
- * Optional mounting on worktop or floor or ceiling column, several heights of which are available: (300 mm - 500 mm - 1500 mm - 2000 mm)
- * Suitable for most power supplies on the market
- * Dimensions: 255 x 115 x 85 mm
- * Housing ventilated through ventilation holes to prevent overheating
- * Designed for one power supply
- * Colour RAL 7024 (Graphite grey)
- * All our medical arms are in conformity: CE, ROHS, Medical Grade, Regulations MDD 93/42 ECC.
- * Warranty: 5 years



Electrical power supply box
 255 x 115 x 85 mm

Part Number: 999.167



Medical Grade



Do not hesitate to contact us if you have any questions about this product.



Warranty: 5 years



000.999.167



Graphite Grey



On Measure



= Depending on the elements



999.167

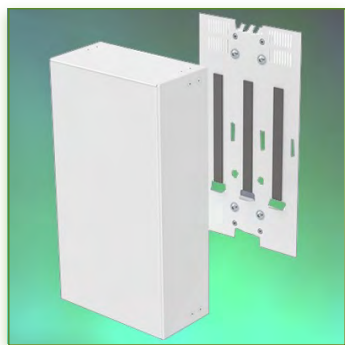
Anti-bacterial properties:

IT medical arms are now designed with Microban antibacterial protection, a revolutionary treatment that guarantees optimal hygiene. IT medical arms integrate Microban and other antibacterial agents into all medical products. It inhibits the growth of bacteria of all types. This is not a surface treatment.

It is 100% in the totality of the product.

It does not alter the physico-mechanical properties of the medical arm lift system. Simulations over 30 years show that 100% of the antibacterial properties are maintained.

All medical articulated arms incorporate Microban. Microban is the world's leading provider of anti-bacterial solutions. It has been successfully applied for more than 35 years in a wide range of products used in the hospital, construction and food industries.



Electrical power supply box
255 x 165 x 85 mm

Part Number: 999.168



Do not hesitate to contact us if you have any questions about this product.



Warranty: 5 years



000.999.168



Graphite Grey



On Measure



= Depending on the elements



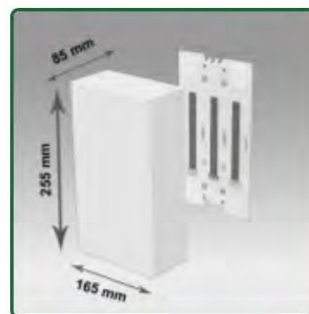
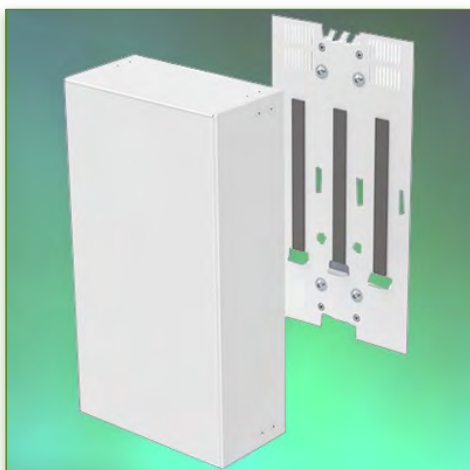
999.168

Power supply housing 255 x 165 x 85 mm Mounting on vertical sliding wall rail

Storage housing for power supply in anodised aluminium. It is coated with an anti-microbial agent offering hygiene and cleaning down to the last detail. Its modern design has been specially designed for healthcare environments.

Technical specifications:

- * Optional Vertical Wall Rail Mounting, several lengths available (480 mm - 720 mm - 960 mm - 1200 mm). These wall rails can be easily cut to the required size. All cables also pass through the wall rail.
- * Optional mounting on worktop or floor or ceiling column, several heights of which are available: (300 mm - 500 mm - 1500 mm - 2000 mm)
- * Suitable for most power supplies on the market
- * Dimensions: 255 x 165 x 85 mm
- * Housing ventilated through ventilation holes to prevent overheating
- * Designed for one power supply
- * Colour RAL 7024 (Graphite grey)
- * All our medical arms are in conformity: CE, ROHS, Medical Grade, Regulations MDD 93/42 ECC.
- * Warranty: 5 years



Electrical power supply box
255 x 165 x 85 mm

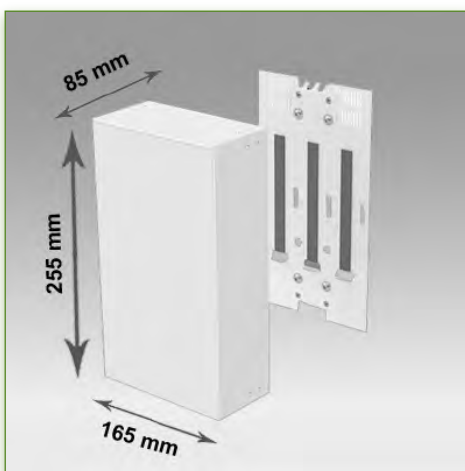
Part Number: 999.168



Medical Grade



Do not hesitate to contact us if you have any questions about this product.



Warranty: 5 years



000.999.168



Graphite Grey



On Measure



= Depending on the elements



999.168

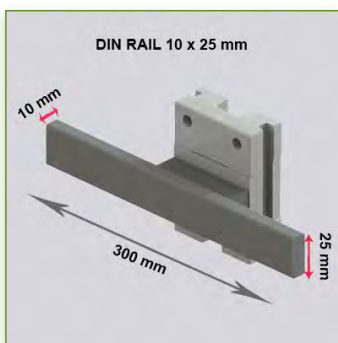
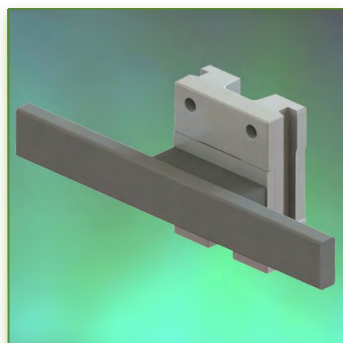
Anti-bacterial properties:

IT medical arms are now designed with Microban antibacterial protection, a revolutionary treatment that guarantees optimal hygiene. IT medical arms integrate Microban and other antibacterial agents into all medical products. It inhibits the growth of bacteria of all types. This is not a surface treatment.

It is 100% in the totality of the product.

It does not alter the physico-mechanical properties of the medical arm lift system. Simulations over 30 years show that 100% of the antibacterial properties are maintained.

All medical articulated arms incorporate Microban. Microban is the world's leading provider of anti-bacterial solutions. It has been successfully applied for more than 35 years in a wide range of products used in the hospital, construction and food industries.



Din Rail 10 x 25 mm. Length 300 mm on vertical rail

Part Number: 999.169



Do not hesitate to contact us if you have any questions about this product.



Warranty: 5 years



000.999.169



Graphite Grey



On Measure



= Depending on the elements



999.169

Din Rail adapter 10 x 25 mm. Length 300 mm Mounting on vertical sliding wall rail

This Din Rail Horizontal adapter allows the attachment of all medical accessories with the Din Rail 10 x 25 mm interface. Ideal complement when no Din Rails are available or absent to add other elements. It is coated with an anti-microbial agent offering hygiene and cleaning down to the last detail. Its modern design has been specially designed for healthcare environments.

Technical specifications:

* Optional Vertical Wall Rail Mounting, several lengths available (480 mm - 720 mm - 960 mm - 1200 mm).

These wall rails can be easily cut to the required size. All cables also pass through the wall rail.

* Optional mounting on worktop or floor or ceiling column, several heights of which are available:
(300 mm - 500 mm - 1500 mm - 2000 mm)

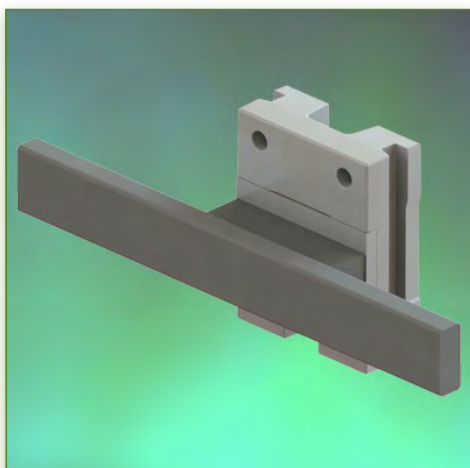
* Length 300 mm

* Din Rail 10 x 25 mm

* Colour RAL 7024 (Graphite grey)

* All our medical arms are in conformity:
CE, ROHS, Medical Grade, Regulations MDD 93/42 ECC.

* Warranty: 5 years



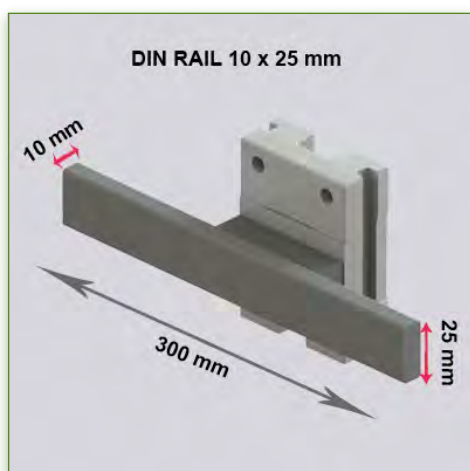
Din Rail 10 x 25 mm. Length 300 mm on vertical rail
Part Number: 999.169



Medical Grade



Do not hesitate to contact us if you have any questions about this product.



Warranty: 5 years



000.999.169



Graphite Grey



On Measure



= Depending on the elements



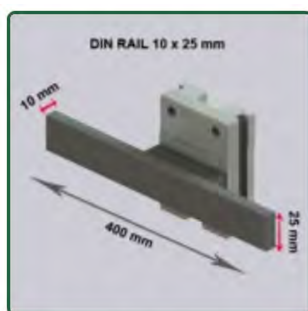
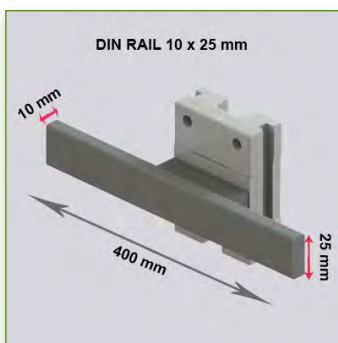
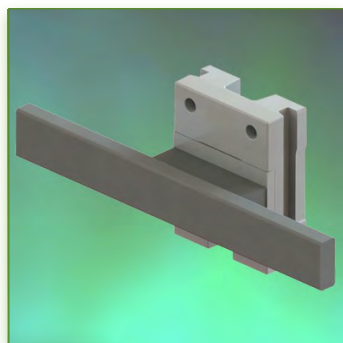
999.169

Anti-bacterial properties:

IT medical arms are now designed with Microban antibacterial protection, a revolutionary treatment that guarantees optimal hygiene. IT medical arms integrate Microban and other antibacterial agents into all medical products. It inhibits the growth of bacteria of all types. This is not a surface treatment.

It is 100% in the totality of the product. It does not alter the physico-mechanical properties of the medical arm lift system. Simulations over 30 years show that 100% of the antibacterial properties are maintained.

All medical articulated arms incorporate Microban. Microban is the world's leading provider of anti-bacterial solutions. It has been successfully applied for more than 35 years in a wide range of products used in the hospital, construction and food industries.



Din Rail 10 x 25 mm. Length 400 mm on vertical rail

Part Number: 999.170



Do not hesitate to contact us if you have any questions about this product.



Warranty: 5 years



000.999.170



Graphite Grey



On Measure



= Depending on the elements



999.170

Din Rail adapter 10 x 25 mm. Length 400 mm Mounting on vertical sliding wall rail

This Din Rail Horizontal adapter allows the attachment of all medical accessories with the Din Rail 10 x 25 mm interface. Ideal complement when no Din Rails are available or absent to add other elements. It is coated with an anti-microbial agent offering hygiene and cleaning down to the last detail. Its modern design has been specially designed for healthcare environments.

Technical specifications:

* Optional Vertical Wall Rail Mounting, several lengths available (480 mm - 720 mm - 960 mm - 1200 mm).

These wall rails can be easily cut to the required size. All cables also pass through the wall rail.

* Optional mounting on worktop or floor or ceiling column, several heights of which are available:
(300 mm - 500 mm - 1500 mm - 2000 mm)

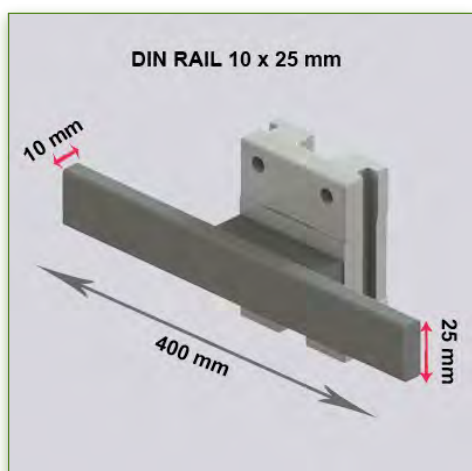
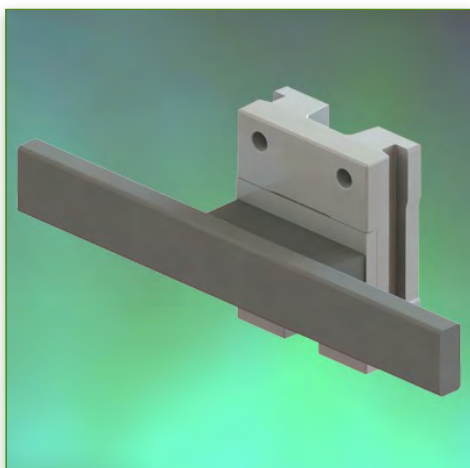
* Length 400 mm

* Din Rail 10 x 25 mm

* Colour RAL 7024 (Graphite grey)

* All our medical arms are in conformity:
CE, ROHS, Medical Grade, Regulations MDD 93/42 ECC.

* Warranty: 5 years



Din Rail 10 x 25 mm. Length 400 mm on vertical rail

Part Number: 999.170



Medical Grade



Do not hesitate to contact us if you have any questions about this product.



Warranty: 5 years



000.999.170



Graphite Grey



On Measure



= Depending on the elements



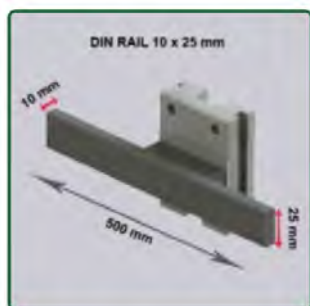
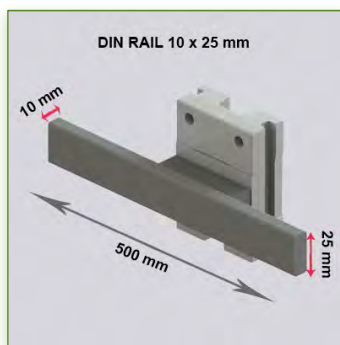
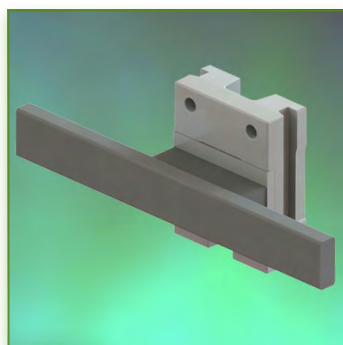
999.170

Anti-bacterial properties:

IT medical arms are now designed with Microban antibacterial protection, a revolutionary treatment that guarantees optimal hygiene. IT medical arms integrate Microban and other antibacterial agents into all medical products. It inhibits the growth of bacteria of all types. This is not a surface treatment.

It is 100% in the totality of the product. It does not alter the physico-mechanical properties of the medical arm lift system. Simulations over 30 years show that 100% of the antibacterial properties are maintained.

All medical articulated arms incorporate Microban. Microban is the world's leading provider of anti-bacterial solutions. It has been successfully applied for more than 35 years in a wide range of products used in the hospital, construction and food industries.



Din Rail 10 x 25 mm. Length 500 mm on vertical rail
Part Number: 999.171



Do not hesitate to contact us if you have any questions about this product.



Warranty: 5 years



000.999.171



Gris graphite



On Measure



= Depending on the elements



999.171

Din Rail adapter 10 x 25 mm. Length 500 mm Mounting on vertical sliding wall rail

This Din Rail Horizontal adapter allows the attachment of all medical accessories with the Din Rail 10 x 25 mm interface. Ideal complement when no Din Rails are available or absent to add other elements. It is coated with an anti-microbial agent offering hygiene and cleaning down to the last detail. Its modern design has been specially designed for healthcare environments.

Technical specifications:

* Optional Vertical Wall Rail Mounting, several lengths available (480 mm - 720 mm - 960 mm - 1200 mm).

These wall rails can be easily cut to the required size. All cables also pass through the wall rail.

* Optional mounting on worktop or floor or ceiling column, several heights of which are available:
(300 mm - 500 mm - 1500 mm - 2000 mm)

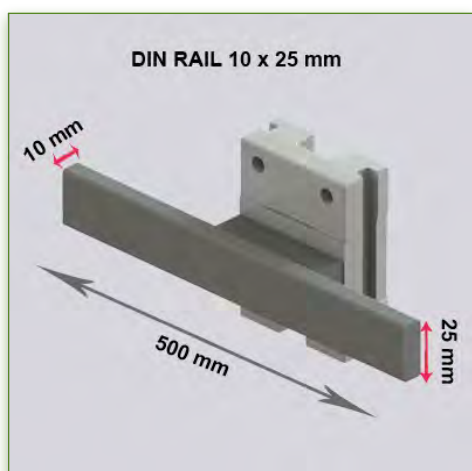
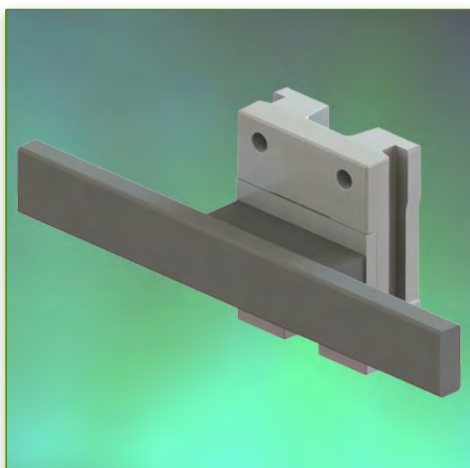
* Length 500 mm

* Din Rail 10 x 25 mm

* Colour RAL 7024 (Graphite grey)

* All our medical arms are in conformity:
CE, ROHS, Medical Grade, Regulations MDD 93/42 ECC.

* Warranty: 5 years



Din Rail 10 x 25 mm. Length 500 mm on vertical rail

Part Number: 999.171



Medical Grade



Do not hesitate to contact us if you have any questions about this product.



Warranty: 5 years



000.999.171



Gris graphite



On Measure



= Depending on the elements



999.171

Anti-bacterial properties:

IT medical arms are now designed with Microban antibacterial protection, a revolutionary treatment that guarantees optimal hygiene. IT medical arms integrate Microban and other antibacterial agents into all medical products. It inhibits the growth of bacteria of all types. This is not a surface treatment.

It is 100% in the totality of the product.

It does not alter the physico-mechanical properties of the medical arm lift system. Simulations over 30 years show that 100% of the antibacterial properties are maintained.

All medical articulated arms incorporate Microban. Microban is the world's leading provider of anti-bacterial solutions. It has been successfully applied for more than 35 years in a wide range of products used in the hospital, construction and food industries.



Holder for 1 Medical Gas
Bottle Vertical Rail Mounting

Part Number: 999.172



Do not hesitate to contact us if you have any questions about this product.



Warranty: 5 years



000.999.172



Graphite Grey



On Measure



= Depending on the elements



999.172

Holder for 1 Bottle of Medical Gas Mounted on vertical wall rail

This holder is specifically designed for standardised medical gas bottles in hospitals. For the safe installation of pressurized gas bottles It is coated with an anti-microbial agent offering hygiene and cleaning down to the last detail. Its modern design has been specially designed for healthcare environments.

Technical specifications:

- * Optional Vertical Wall Rail Mounting, several lengths available (480 mm - 720 mm - 960 mm - 1200 mm). These wall rails can be easily cut to the required size. All cables also pass through the wall rail.
- * Optional mounting on worktop or floor or ceiling column, several heights of which are available: (300 mm - 500 mm - 1500 mm - 2000 mm)
- * Safely holds the bottle in an upright position
- * Priming and defusing, gas bottle with safety clips
- * Securely stows bottles while providing ease of use for the user when changing bottles.
- * Suitable for one gas bottle
- * Colour RAL 7024 (Graphite grey)
- * All our medical arms are in conformity: CE, ROHS, Medical Grade, Regulations MDD 93/42 ECC.
- * Warranty: 5 years



Holder for 1 Medical Gas Bottle Vertical Rail Mounting

Part Number: 999.172



Medical Grade



Do not hesitate to contact us if you have any questions about this product.



Warranty: 5 years



000.999.172



Graphite Grey



On Measure



= Depending on the elements



999.172

Anti-bacterial properties:

IT medical arms are now designed with Microban antibacterial protection, a revolutionary treatment that guarantees optimal hygiene. IT medical arms integrate Microban and other antibacterial agents into all medical products. It inhibits the growth of bacteria of all types. This is not a surface treatment.

It is 100% in the totality of the product.

It does not alter the physico-mechanical properties of the medical arm lift system. Simulations over 30 years show that 100% of the antibacterial properties are maintained.

All medical articulated arms incorporate Microban. Microban is the world's leading provider of anti-bacterial solutions. It has been successfully applied for more than 35 years in a wide range of products used in the hospital, construction and food industries.



Holder for 2 Medical Gas
Bottle Vertical Rail Mounting

Part Number: 999.173



Do not hesitate to contact us if you have any questions about this product.



Warranty: 5 years



000.999.173



Graphite Grey



On Measure



= Depending on the elements



999.173

Holder for 2 Bottles of Medical Gas Mounted on vertical wall rail

This holder is specifically designed for standardised medical gas bottles in hospitals. For the safe installation of pressurized gas bottles It is coated with an anti-microbial agent offering hygiene and cleaning down to the last detail. Its modern design has been specially designed for healthcare environments.

Technical specifications:

* Optional Vertical Wall Rail Mounting, several lengths available (480 mm - 720 mm - 960 mm - 1200 mm).

These wall rails can be easily cut to the required size. All cables also pass through the wall rail.

* Optional mounting on worktop or floor or ceiling column, several heights of which are available:
(300 mm - 500 mm - 1500 mm - 2000 mm)

* Safely holds the bottle in an upright position

* Priming and defusing, gas bottle with safety clips

* Securely stows bottles while providing ease of use for the user when changing bottles.

* Suitable for two gas bottles * Colour RAL 7024 (Graphite grey)

* All our medical arms are in conformity:
CE, ROHS, Medical Grade, Regulations MDD 93/42 ECC.

* Warranty: 5 years



Holder for 2 Medical Gas Bottle Vertical Rail Mounting

Part Number: 999.173



Medical Grade



Do not hesitate to contact us if you have any questions about this product.



Warranty: 5 years



000.999.173



Graphite Grey



On Measure



= Depending on the elements



999.173

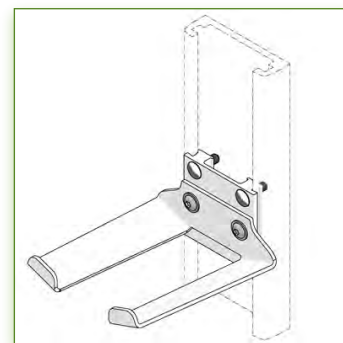
Anti-bacterial properties:

IT medical arms are now designed with Microban antibacterial protection, a revolutionary treatment that guarantees optimal hygiene. IT medical arms integrate Microban and other antibacterial agents into all medical products. It inhibits the growth of bacteria of all types. This is not a surface treatment.

It is 100% in the totality of the product.

It does not alter the physico-mechanical properties of the medical arm lift system. Simulations over 30 years show that 100% of the antibacterial properties are maintained.

All medical articulated arms incorporate Microban. Microban is the world's leading provider of anti-bacterial solutions. It has been successfully applied for more than 35 years in a wide range of products used in the hospital, construction and food industries.



Holder for barcode hand shower

Part Number: 999.174



Do not hesitate to contact us if you have any questions about this product.



Warranty: 5 years



000.999.174



Graphite Grey and White



On Measure



= Depending on the elements



999.174

Universal Hand Shower Barcode Holder Wall Mount

Universal barcode hand shower holder ideal for keeping the hand shower close to the medical facility.

This 13.5 x 10.31 x 6 cm barcode reader holder can be attached along the vertical wall rail

This rugged barcode scanner stand is the perfect storage or scanning application.

Color: Graphite Grey and White

Technical specifications:

* Optional Vertical Wall Rail Mounting, several lengths available (480 mm - 720 mm - 960 mm - 1200 mm).

These wall rails can be easily cut to the required size. All cables also pass through the wall rail.

* Optional mounting on worktop or floor or ceiling column, several heights of which are available:
 (300 mm - 500 mm - 1500 mm - 2000 mm)

* Keeps the hand shower safe

* All our medical arms are in conformity:
 CE, ROHS, Medical Grade, Regulations MDD 93/42 ECC.

* Warranty: 5 years



Holder for barcode hand shower

Part Number: 999.174



Medical Grade



Do not hesitate to contact us if you have any questions about this product.



Warranty: 5 years



000.999.174



Graphite Grey and White



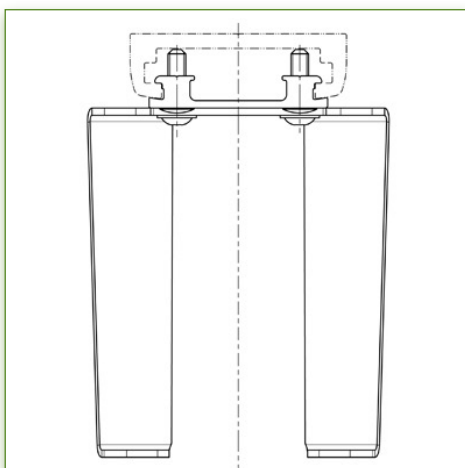
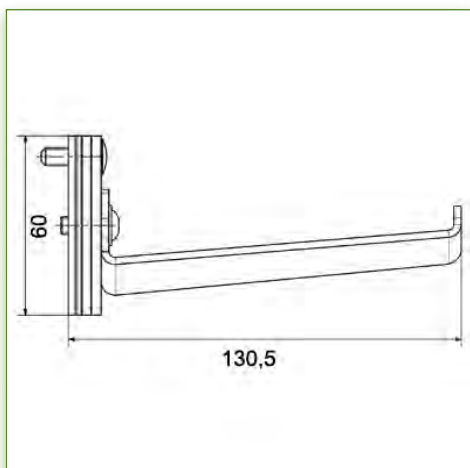
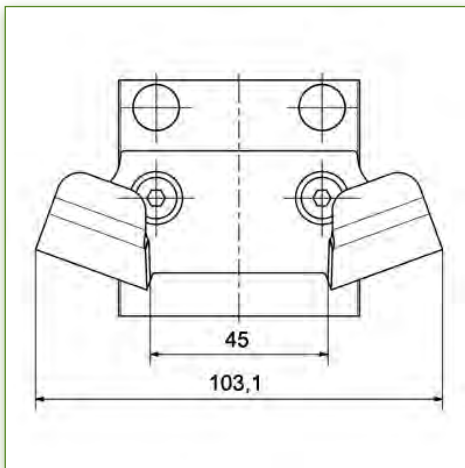
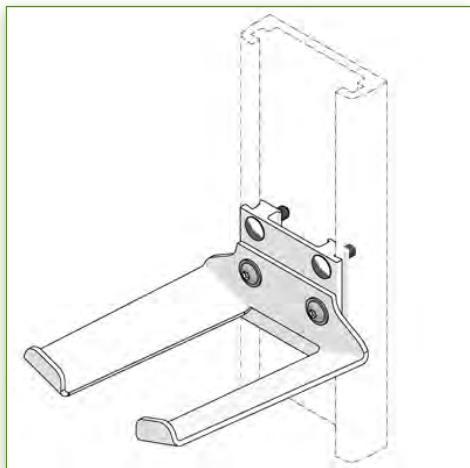
On Measure



= Depending on the elements



999.174



Anti-bacterial properties:

IT medical arms are now designed with Microban antibacterial protection, a revolutionary treatment that guarantees optimal hygiene. IT medical arms integrate Microban and other antibacterial agents into all medical products. It inhibits the growth of bacteria of all types. This is not a surface treatment.

It is 100% in the totality of the product. It does not alter the physico-mechanical properties of the medical arm lift system. Simulations over 30 years show that 100% of the antibacterial properties are maintained.

All medical articulated arms incorporate Microban. Microban is the world's leading provider of anti-bacterial solutions. It has been successfully applied for more than 35 years in a wide range of products used in the hospital, construction and food industries.

Médical Grade

Innovative designs, a StS® shortened elevator technology with a factor 6 gas lift that makes computer medical elevation effortlessly unmatched in the industry.

This StS ® technology offers smooth adjustment flexibility regardless of the size and strength of the user, allowing him to maximize his comfort of use both sitting and standing. The revolutionary design of the StS technology separates from conventional technologies that do not meet the safety factor standards generally used in this type of design.

A sTs elevator technology that is not under pressure, which means that your long-term performance will remain higher.

Designed for prolonged sitting or permanent applications. The sTs technology offers a true revolution in ergonomic design that can be used by a wide range of clinicians and caregivers of all sizes, allowing them to adjust the height of the medical arm.

Robust, anodized aluminum construction, complemented by a small footprint, makes computer medical arms accessible even in places where space is at a premium.

These computerized medical workstations contribute to the encoding of critical patient care information with comfort at the patient's bedside with unmatched travel comfort.

Computerized medical arms comply with hospital hygiene standards, effectively they contain less than 5% of plastic harmful to bacteria and can be disinfected in the smallest details.

An anti-bacterial coating (microban) ensures perfect hygiene of arms and all parts are therefore impermeable to bacteria, no asperities in their designs aimed at a complete cleaning, fast and easy, helping to control infections.

It takes only 10 minutes to completely disinfect the workstation.

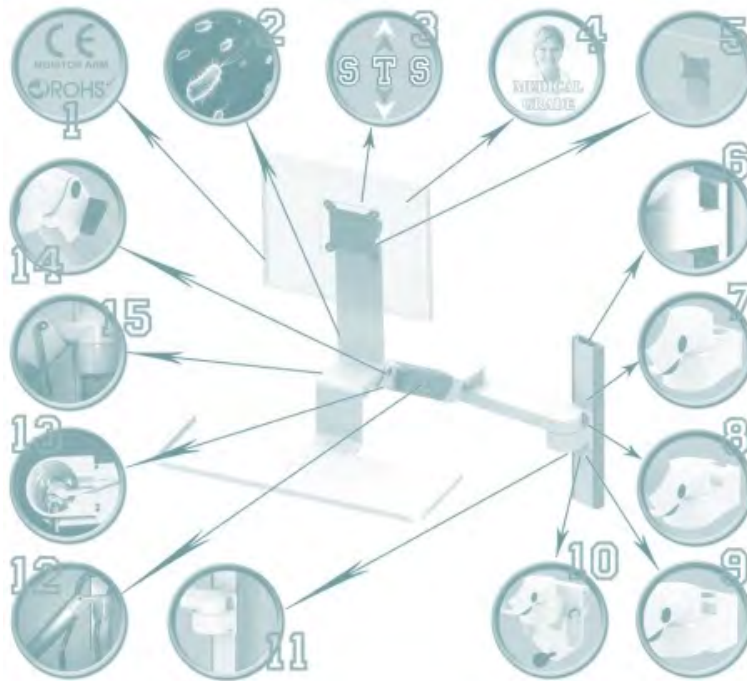
Human-centered designs place mobile computing exactly where it needs to be, reducing the time spent on each task for more efficiency.

the fruit of a close collaboration with the nurses, the computer scientists, the doctors, offering them a comfort and an ergonomics unparalleled in the data entry.

These medical computer arm solutions offer healthy computing environments that promote work efficiency.

Developed for superior performance, quality, durability for a better return on investment. Designed and created to minimize the impact of energy consumption and thereby reduce the harmful effects of air emissions and pollution.

Backed by a 5 year warranty, our solutions will give you all satisfactions.

An Exceptional Experience! "Often copied, never equaled"**Unmatched in technology, comfort and installation**

- 1 / Compliant and CE and ROHS / DIN EN ISO 9001: 2008 certified
- 2 / Anti-bacterial coating
- 3 / Height adjustable technology
- 4 / Medical Standards
- 5 / VESA 75 and 100 mm
- 6 / Possibility of mounting on Din Wall Rail optional
- 7 / Possibility of mounting on fixed pole, 25 - 35 - 38 mm
- 8 / Possibility of mounting on Din Vertical Rail 10 x 25 mm
- 9 / Possibility of mounting on variable pole between 20 and 40 mm
- 10 / Possible installation on DIN Rail Horizontal, 10 x 25 - 8 x 35 - 10 x 30 - 10 x 50 mm
- 11 / Optional column mounting option
- 12 / Cable entry and internal connector on the arm (internal chute supplied)
- 13 / Equipotential bonding and connector
- 14 / Adjustment and safety lever
- 15 / Adjustment and easy control of the gas cylinder

Bacteria-proof

Plastic, even food, is porous. This porosity, accentuated by scratches can cause bacteria nests in computerized medical arms during these constant manipulations. A biofilm can be put in place in a few hours, and allow the bacteria there to become resistant to external agents.

This is why our Computer Medical Arms, contrary to what we find on the market have a complete structure in anodized aluminum. Less than 5% of plastic in their designs dedicated specifically to the medical and hospital sector.

Aluminum, its characteristics, its properties, its utility:

Main characteristics

Density: 2700 kg / m³

Density: 2.7 (three times less than steel)

The use of aluminum is therefore essential in the areas of the construction of our computer arms.

Corrosion resistance:

Aluminum alloys are highly oxidizable. In the air, a layer of a few micrometers of aluminum oxide (Al₂O₃) is formed. Thanks to this thin film, aluminum alloys become resistant to corrosion. Unlike most metals, aluminum needs to oxidize to be used. Without this film of oxide, it would be unsuitable for most of its applications.

Thus, under normal atmospheric conditions, exterior building claddings or aluminum alloy parts have minimal maintenance and extended service life.

Anodizing:

Forced oxidation with an electrolyte makes it possible to obtain coloring of the parts. This anodizing can also be colorless to keep the shine of the pieces (aluminum color). The protective oxide layer can be made thicker by anodization.

Recycling:

To recycle aluminum, there is nothing simpler: just melt it. In addition to environmental benefits, aluminum recycling is much less expensive than extraction from bauxite ore. It requires 95% less energy. And a ton of recycled aluminum saves four tons of bauxite. By skipping the electrolysis stage, which requires a lot of energy, we avoid the pollutant emissions associated with it. Aluminum is almost infinitely recyclable without losing its qualities. In France, aluminum is recovered as part of selective sorting. In sorting centers, it is sorted thanks to eddy currents. It is then broken and crushed and melted. The downside, aluminum remains on the market an expensive material.

Benefit:

- * Resistant to corrosion
- * Unalterable color
- * Rigid
- * Allows 100% recycling
- * Light
- * Noise and vibration reduction
- * Do not rust
- * Longevity is three to four times greater than steel
- * Absorbs considerable pressure and effort
- * Insulation
- * Effective barrier against bacteria
- * Raincoat
- * Resistant to high and low temperatures
- * Sterilizable
- * Strength, weight, versatility
- * Do not burn
- * Anti acid

**Antibacterial Micoban:**

The medical computer arms are now designed with Microban antibacterial protection, a revolutionary treatment that guarantees optimal hygiene. Medical computer arms integrate Microban and other anti-bacterial agents into all medical products. It inhibits the growth of bacteria of all types. It is not a superficial treatment. It is 100% in the entire product. It does not entail any alteration of the physico-mechanical properties of the lift system of the medical arms. 30-year simulations show that 100% of anti-bacterial properties are maintained. All medical articulated arms incorporate Microban. Microban is a world leader in anti-bacterial solutions. It has been successfully applied for more than 35 years in multiple products used in the hospital, construction and food sectors.

Safety factor - Load with sixfold safety factor

The factor of safety is the use of more elements than necessary to compensate for the effects of unknown variables and to prevent system failures.

Design requires dealing with the unknown. Whatever the designer's level of knowledge and the quality of the specifications, hypotheses are inevitable in any design process.

The safety factors are used to offset the potential effects of these unknowns. The idea is to add materials and components to the system so that the design exceeds the specifications defined as necessary to meet the needs.

For example, designing an internet service that can support thousands of users is straightforward and straightforward. However, to take into account unanticipated needs for example downloading large files, the specifications of the need can be multiplied (here in threes).

In this case, the safety factor of three means that the service is qualified as being able to support 1000 users but is designated to actually support 3000.

The level of the safety factor corresponds directly to the level of ignorance of the design parameters. The higher the level of ignorance, the more the safety factor will be increased. More elements mean a higher cost.

The novelties require an important factor of safety. If a design becomes reliable over time, the confidence that the unknowns of the system disappear combined with the pressure to reduce costs causes a process of trimming and reducing the factor of safety.

Unfortunately, this process usually continues until an accident or malfunction occurs.

The safety factor must be used to minimize the risk of design failure. When the level of confidence in the design increases, we can then decrease the coefficient of safety but we must be careful not to go too far.

It is necessary to observe the nominal capacity of a system to make decisions that stress the limits of the system and not the expected capacity.

**That is why all our medical arms are certified with a safety factor of 6
for your safety and that of your patients.**



Disinfection, cleaning and hygiene of medical arms

Innovative designs, a StS® shortened lift technology with a factor 6 gas jack that allows the arms Hospital-acquired infections are a real public health problem. There are nowadays in France, about 10,000 deaths per year of these infections contracted at the hospital. They represent a very heavy burden for society, from a human, economic and social point of view. As a result, medical computer trolleys have been designed to be disinfected in their totality and disinfection takes only a very short time for the hygienist (less than 10 minutes).

WHY KEEP THE SAFE SURFACES?

- * Pathogenic microorganisms that enter the premises can survive on surfaces for long periods of time. periods of time.
- * Microorganisms that settle on surfaces can then be transmitted to the hands.
- * The germs of the hands can spread by contact, and be transmitted to other people and cause an infection.
- * Clean or disinfect surfaces to reduce the risk of cross-contamination.
- * Clean water may become contaminated if its container is not clean.



Recommended disinfectants:

1. Chlorine-based (10% max solution) - Chlorox, Novalsan, etc.
2. Formaldehyde base - 37% formaldehyde solution, Vinco Formaldegen, etc.
3. Glutaraldehyde-based stock - Aldacide 200, Lysofume, Wavicide, etc.
4. Phenol stock base - Lysol IC, many, Magna Clean, Tek-Trol, etc.
5. Alcohol Based - CaviCide, Isopropyl Alcohol, Medicide (POL-0.3), etc.
6. Oxidants - Hydrogen Peroxide Solution 3%, VikronS, Lifegard series, etc.
7. Ammonium quaternaries - Roccal-D, Bacto-Sep, Ascend, Parvosol, etc.
8. Soap and hot water

DO NOT USE:

1. Oil-based liquid cleaners, such as gasoline, turpentine or petroleum
2. Acetone
3. More than 10% bleach solutions
4. Temperature or sterilization pressure

Ergonomics of workstations on screen

Determination of posture

A good design of an on-screen workstation allows:

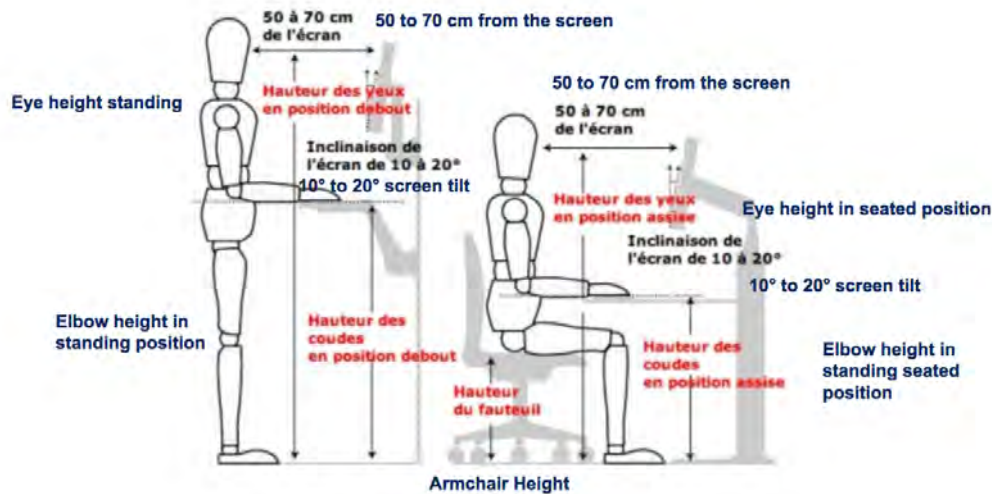
- * increase the postural margin of the operator; any posture, however ideal, becoming uncomfortable after a certain time (pain in the shoulders, arms, hands, neck, back and legs),
- * to reduce the stresses of the cervical vertebrae and the muscles supporting the head (cervicalgia, muscular fatigue),
- * * to reduce the disorders due to a sustained cognitive and visual activity (headache, tingling, tearing, visual discomfort, etc.),
- * to increase blood circulation in the legs, ...

Follow these two steps to improve the comfort of your workstation:

1. Select your size (in cm):

Size in cm	Eyes in a sitting position	Eyes in a standing position	Elbow in sitting position	Elbow in Standing Position	Armchair
152	105	141	57	93	36
155	107	144	58	94	37
157	110	146	59	95	38
160	111	148	60	97	38
163	113	151	61	99	39
165	115	153	62	101	40
168	117	156	63	102	41
170	118	158	64	104	41
173	120	161	65	106	42
175	122	163	66	108	43
178	124	166	67	109	44
180	125	168	68	111	44
183	127	171	68	112	46
185	129	173	69	113	46
188	131	175	72	116	48
191	133	178	72	117	48

2. Install / adjust the workstation components as described below:



Positions

The eyes should be aligned with the top of the display surface of the screen (specifically, the center of the screen should be at an angle of 15 degrees to the horizontal at eye level).

Exception: For wearers of progressive lenses, lower the monitor and tilt the screen up to avoid neck pain.

The height of the elbows should be adjusted with the top of the keyboard.

The height of the chair should help to keep the feet flat when the hips are at a 90 ° angle.

A seat slightly inclined downward (3 to 5 degrees) allows to better respect the natural curvature of the spine in double "S", which relieves the lumbar vertebrae.

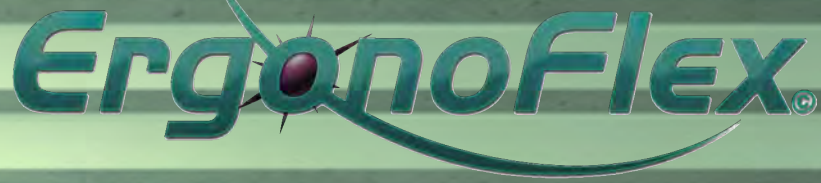
Remarks

These values do not take into account the clothing elements. Remember to add the height of the shoes to make the right measurements.

Remember that no posture can be preserved for a long time, the postural margin being a fundamental element of comfort.

Beyond its standard recommendations, it is important to consider the location of the various elements at the station, the characteristics and distribution of the various tasks, the environmental context (thermal, acoustic and luminous environment), the collective context of the activity. (stress, mutual assistance, conflicting injunctions, etc.) and any particularities or restrictions of aptitude of the operator concerned.

Be careful not to make the mistake (made by both the operators and the companies specialized in tertiary installations) to position the screen face or back to the window but perpendicular to avoid direct glare (sometimes effective but not perceived) or the reflections of the screen.



MEDICAL MONITOR ARMS FIXING ON A WORK SURFACE



We have all the solutions and offer you the widest choice of professional medical systems and supports compatible with the widest possible range of medical and computer monitors.