

**LONG MEDICAL ARMS FOR MONITORS**

**WALL AND CEILING MOUNTING**



**We have all the solutions and offer you the widest choice of professional medical systems and supports compatible with the widest possible range of medical and computer equipment.**

## Our Medical Products for screen

### LONG MEDICAL ARMS FOR SCREEN MOUNTING ON WALL OR CEILING

#### INDEX :

#### Long Medical Arms for wall or ceiling mount display

Long Medical Arms Overview .....Page 4 - 5  
Optional Accessories Overview .....Page 6

Long medical arms Presentations and technical sheets .....Page 7 - 14

Optional Accessories Presentations and Data Sheets .....Page 15 - 16





---

## Our Medical Products for screen

---

### LONG MEDICAL ARMS FOR SCREEN MOUNTING ON WALL OR CEILING

---

#### **Orient and position your screen effortlessly from the wall or ceiling**

This range of products has been designed to meet all the needs for flat screen fixation experienced by many users in the healthcare sector. Medical monitor arms help create a larger, quiet, ergonomic and individual medical workstation.

However, the medical monitor arms are not all identical. We offer several types of arms, each of which is intended for a specific application: depth adjustment, height adjustment or simply both.

We assist you in choosing the medical monitor arm that best suits your needs. Position your LCD screen at the height appropriate for your viewing comfort.

We have all the solutions and offer the widest choice of professional medical media systems compatible with the widest possible range of medical and computer displays.



**Long Medical Monitor Arms for wall or ceiling mount**  
**Long Monitor arms adjustable in height and depth for wall mounting**  
**OVERVIEW**



Medical Long Arm 1825 mm,  
wall mounting  
  
Part Number: 666.101




Medical Long Arm 1825 mm,  
wall mounting  
  
Part Number: 666.102

26" Wide ( Weight )

VESA 75/100 mm


1-6 Kg



26" Wide ( Weight )

VESA 75/100 mm

6-12 Kg



**Long Medical Monitor Arms for wall or ceiling mount**  
**Long Monitor Arms adjustable in height and depth Ceiling Mounting**  
**OVERVIEW**



New Product



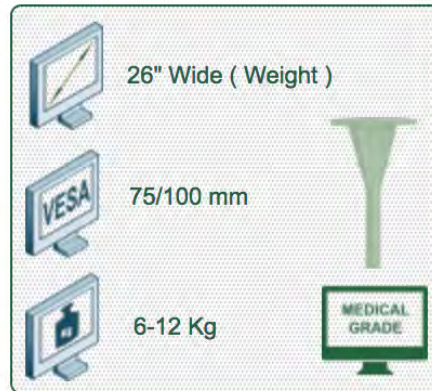
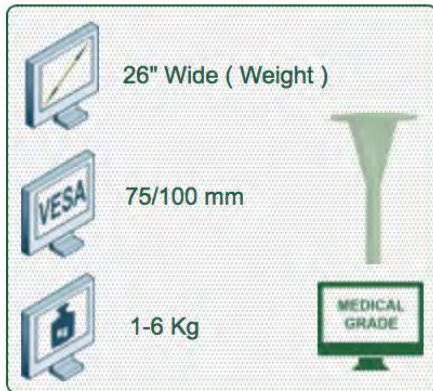
New Product

Medical Long Arm 1825 mm,  
Ceiling Mount

Part Number: 667.101

Medical Long Arm 1825 mm,  
Ceiling Mount

Part Number: 667.102



**Long Medical Monitor Arms for wall or ceiling mount**  
**OPTIONAL ACCESSORIES**  
**OVERVIEW**

**Optional Accessories :**

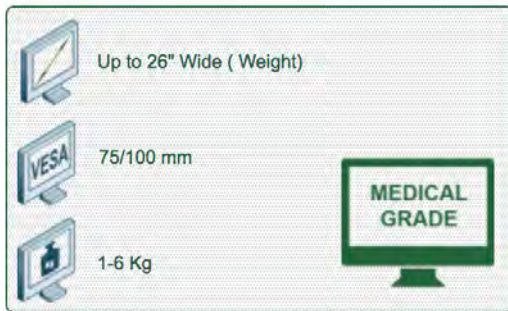


Keyboard holder for long  
medical arms

Part Number: 668.101



Display Compatibility: 26" Wide ( Weight)  
Supported Weight: 1-6 Kg  
VESA standard: 75 / 100 mm



Do not hesitate to contact us if you have any questions about this product.



Warranty: 5 years



000.666.101



White



90 x 30 x 47 cm



20 Kg



666.101

**Long Medical Monitor Arm adjustable in height 700 + 930 mm, direct wall mounting supported weight 1-6 Kg**

This Long Horizontal Medical Monitor Arm of 700 + 930 mm with height adjustment by gas spring allows to fix, orient and adjust perfectly the LCD screen. It is coated with an anti-microbial agent offering hygiene and cleaning down to the last detail. Its modern design has been specially designed for healthcare environments. This long reach medical arm is a solution when large travel is required, it also improves the ergonomic working environment because it adapts easily to the person using it. The medical arm has a maximum horizontal reach of 1825 mm. Mounted on the wall this arm gives many possibilities to be moved around an arm beds in hospitals so that patients and nurses / doctors can use it.

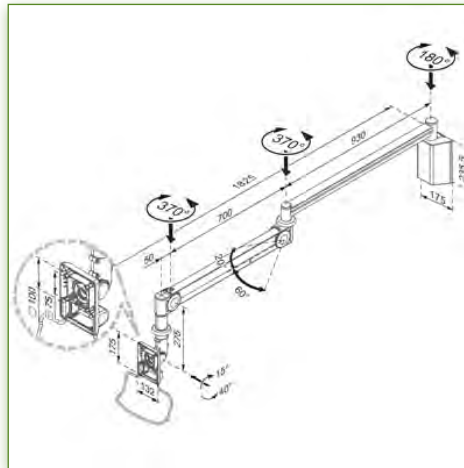
The mounted monitor can be rotated 370° and tilted 55° to allow optimal viewing of the angel for the user. It is easy to use, can be operated with one hand thanks to the design of a holding handle. All cables are routed into the arm thanks to the integrated cable management and is therefore easy to clean.

The height and position of the arm can be easily adjusted using one hand due to the dual design of the gas spring.

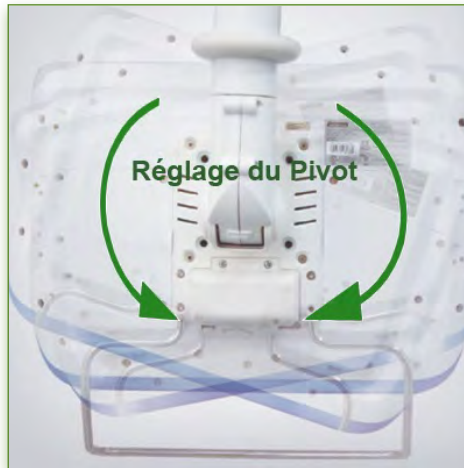
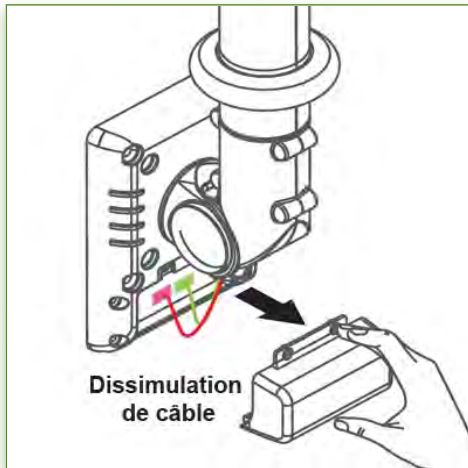
It can be used with many different screens even widescreen and touch screens with a maximum weight of 6 kg. The display must have the VESA mounting standard 75 x 75 mm / 100 x 100 mm or a special mounting plate if necessary.

**Technical specifications:**

- \* Integrated cable channel
- \* The head of this arm complies with the screen mounting standard: VESA MIS-D 75 mm and 100 mm.
- \* Compatible with screens whose weight does not exceed 1-6 Kg.
- \* Touch screen stability.
- \* Screen tilt: 40° down and 15° up
- \* Screen Rotation: 370°.
- \* Arm rotation: 370°.
- \* Height adjustment: 60° down, 420° up
- \* Total length 1825 mm
- \* Compatible with multimedia terminals (TMM)
- \* Carrying handle
- \* Wall mounting with cable box included
- \* Color White
- \* All our medical arms are in conformity: CE, ROHS, Medical Grade, Regulations MDD 93/42 ECC.
- \* Warranty: 5 years



Display Compatibility: 26" Wide ( Weight)  
Supported Weight: 1-6 Kg  
VESA standard: 75 / 100 mm



Do not hesitate to contact us if you have any questions about this product.

**Warranty: 5 years**

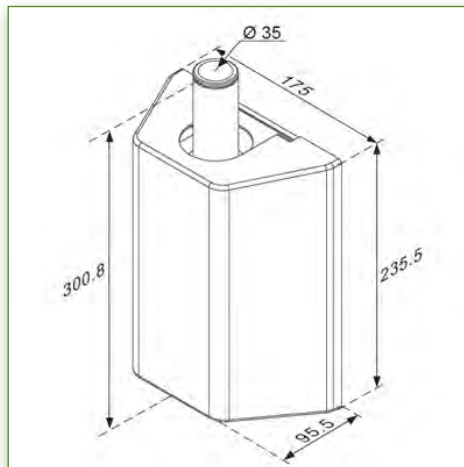
000.666.101

**White**

**90 x 30 x 47 cm**

**20 Kg**

**666.101**



**Anti-bacterial properties:**

IT medical arms are now designed with Microban antibacterial protection, a revolutionary treatment that guarantees optimal hygiene. IT medical arms integrate Microban and other antibacterial agents into all medical products. It inhibits the growth of bacteria of all types. This is not a surface treatment. It is 100% in the totality of the product. It does not alter the physico-mechanical properties of the medical arm lift system. Simulations over 30 years show that 100% of the antibacterial properties are maintained. All medical articulated arms incorporate Microban. Microban is the world's leading provider of anti-bacterial solutions. It has been successfully applied for more than 35 years in a wide range of products used in the hospital, construction and food industries.





Display Compatibility: 26" Wide ( Weight)  
Supported Weight: 6-12 Kg  
VESA standard: 75 / 100 mm



Up to 26" Wide ( Weight)  
75/100 mm  
6-12 Kg  
**MEDICAL GRADE**



Do not hesitate to contact us if you have any questions about this product.



Warranty: 5 years



000.666.102



White



90 x 30 x 47 cm



20 Kg



666.102

**Long Medical Monitor Arm adjustable in height 700 + 930 mm, direct wall mounting supported weight 6-12 Kg**

This Long Horizontal Medical Monitor Arm of 700 + 930 mm with height adjustment by gas spring allows to fix, orient and adjust perfectly the LCD screen. It is coated with an anti-microbial agent offering hygiene and cleaning down to the last detail. Its modern design has been specially designed for healthcare environments. This long reach medical arm is a solution when large travel is required, it also improves the ergonomic working environment because it adapts easily to the person using it. The medical arm has a maximum horizontal reach of 1825 mm. Mounted on the wall this arm gives many possibilities to be moved around an arm beds in hospitals so that patients and nurses / doctors can use it.

The mounted monitor can be rotated 370° and tilted 55° to allow optimal viewing of the angel for the user. It is easy to use, can be operated with one hand thanks to the design of a holding handle. All cables are routed into the arm thanks to the integrated cable management and is therefore easy to clean.

The height and position of the arm can be easily adjusted using one hand due to the dual design of the gas spring.

It can be used with many different screens even widescreen and touch screens with a maximum weight of 12 kg. The display must have the VESA mounting standard 75 x 75 mm / 100 x 100 mm or a special mounting plate if necessary.

**Technical specifications:**

- \* Integrated cable channel
- \* The head of this arm complies with the screen mounting standard: VESA MIS-D 75 mm and 100 mm.
- \* Compatible with screens whose weight does not exceed 6-12 Kg.
- \* Touch screen stability.
- \* Screen tilt: 40° down and 15° up
- \* Screen Rotation: 370°.
- \* Arm rotation: 370°.
- \* Height adjustment: 60° down, 420° up
- \* Total length 1825 mm
- \* Compatible with multimedia terminals (TMM)
- \* Carrying handle
- \* Wall mounting with cable box included
- \* Color White
- \* All our medical arms are in conformity: CE, ROHS, Medical Grade, Regulations MDD 93/42 ECC.
- \* Warranty: 5 years





Display Compatibility: 26" Wide ( Weight)  
Supported Weight: 1-6 Kg  
VESA standard: 75 / 100 mm

Up to 26" Wide ( Weight)

VESA 75/100 mm

1-6 Kg



Do not hesitate to contact us if you have any questions about this product.



Medical Grade



Warranty: 5 years



000.667.101



White



90 x 30 x 47 cm x 2



40 Kg



667.101

**Long Medical Monitor Arm adjustable in height 700 + 930 mm, ceiling mounting supported weight 1-6 Kg**

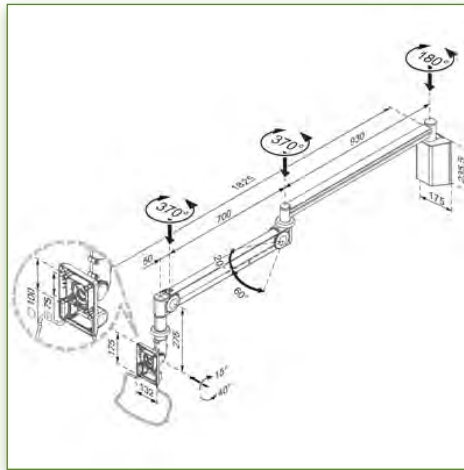
This Long Horizontal Medical Monitor Arm of 700 + 930 mm with height adjustment by gas spring allows to fix, orient and adjust perfectly the LCD screen. It is coated with an anti-microbial agent offering hygiene and cleaning down to the last detail. Its modern design has been specially designed for healthcare environments. This long reach medical arm is a solution when large travel is required, it also improves the ergonomic working environment because it adapts easily to the person using it. The medical arm has a maximum horizontal reach of 1825 mm. Mounted on the ceiling this arm gives many possibilities to be moved around an arm beds in hospitals so that patients and nurses / doctors can use it. The mounted monitor can be rotated 370° and tilted 55° to allow optimal viewing of the angel for the user. It is easy to use, can be operated with one hand thanks to the design of a holding handle. All cables are routed into the arm thanks to the integrated cable management and is therefore easy to clean.

The height and position of the arm can be easily adjusted using one hand due to the dual design of the gas spring.

It can be used with many different screens even widescreen and touch screens with a maximum weight of 6 kg. The display must have the VESA mounting standard 75 x 75 mm / 100 x 100 mm or a special mounting plate if necessary.

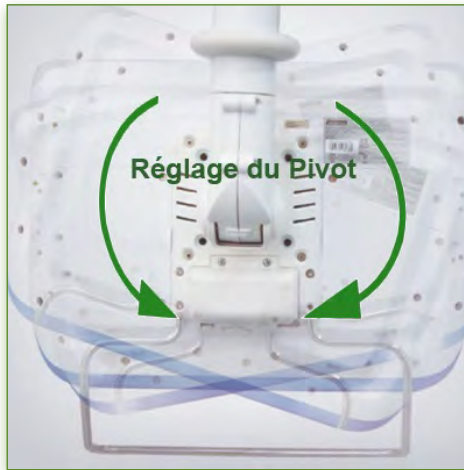
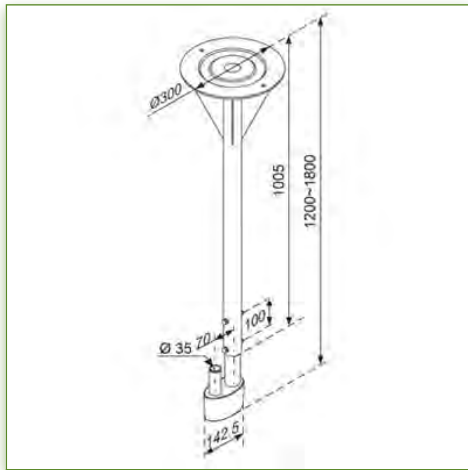
**Technical specifications:**

- \* Integrated cable channel
- \* The head of this arm complies with the screen mounting standard: VESA MIS-D 75 mm and 100 mm.
- \* Compatible with screens whose weight does not exceed 1-6 Kg.
- \* Touch screen stability.
- \* Screen tilt: 40° down and 15° up
- \* Screen Rotation: 370°.
- \* Arm rotation: 370°.
- \* Height adjustment: 60° down, 420° up
- \* Total length 1825 mm
- \* Compatible with multimedia terminals (TMM)
- \* Carrying handle
- \* Ceiling mounting on an adjustable column from 1200 to 1800 mm
- \* Color White
- \* All our medical arms are in conformity: CE, ROHS, Medical Grade, Regulations MDD 93/42 ECC.
- \* Warranty: 5 years



Display Compatibility: 26" Wide ( Weight)  
Supported Weight: 1-6 Kg  
VESA standard: 75 / 100 mm

Up to 26" Wide ( Weight)  
75/100 mm  
1-6 Kg  
**MEDICAL GRADE**



Do not hesitate to contact us if you have any questions about this product.

**Warranty: 5 years**

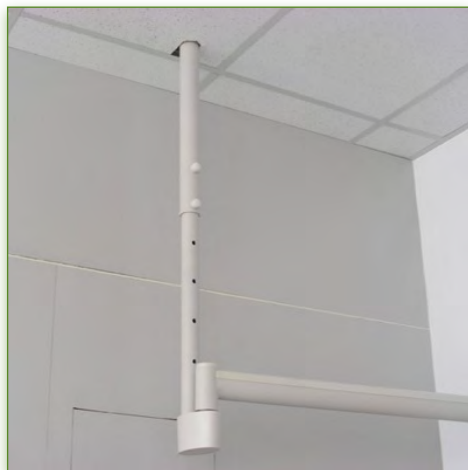
000.667.101

**White**

**90 x 30 x 47 cm x 2**

**40 Kg**

**667.101**

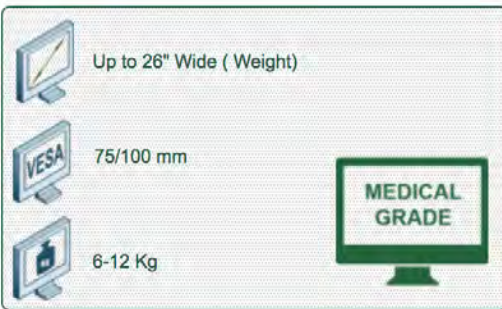


**Anti-bacterial properties:**

IT medical arms are now designed with Microban antibacterial protection, a revolutionary treatment that guarantees optimal hygiene. IT medical arms integrate Microban and other antibacterial agents into all medical products. It inhibits the growth of bacteria of all types. This is not a surface treatment. It is 100% in the totality of the product. It does not alter the physico-mechanical properties of the medical arm lift system. Simulations over 30 years show that 100% of the antibacterial properties are maintained. All medical articulated arms incorporate Microban. Microban is the world's leading provider of anti-bacterial solutions. It has been successfully applied for more than 35 years in a wide range of products used in the hospital, construction and food industries.



Display Compatibility: 26" Wide ( Weight)  
Supported Weight: 6-12 Kg  
VESA standard: 75 / 100 mm



Do not hesitate to contact us if you have any questions about this product.



Warranty: 5 years



000.667.102



Blanc



90 x 30 x 47 cm x 2



40 Kg



667.102

**Long Medical Monitor Arm adjustable in height 700 + 930 mm, ceiling mounting supported weight 6-12 Kg**

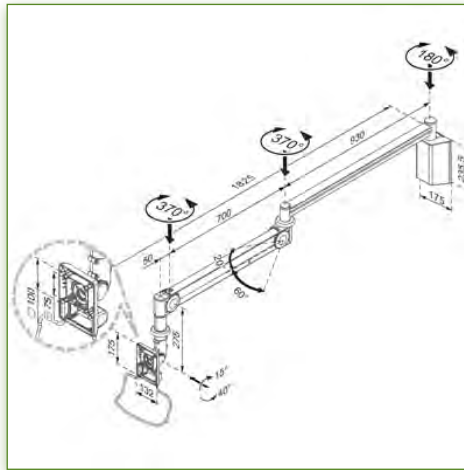
This Long Horizontal Medical Monitor Arm of 700 + 930 mm with height adjustment by gas spring allows to fix, orient and adjust perfectly the LCD screen. It is coated with an anti-microbial agent offering hygiene and cleaning down to the last detail. Its modern design has been specially designed for healthcare environments. This long reach medical arm is a solution when large travel is required, it also improves the ergonomic working environment because it adapts easily to the person using it. The medical arm has a maximum horizontal reach of 1825 mm. Mounted on the ceiling this arm gives many possibilities to be moved around an arm beds in hospitals so that patients and nurses / doctors can use it. The mounted monitor can be rotated 370° and tilted 55° to allow optimal viewing of the angel for the user. It is easy to use, can be operated with one hand thanks to the design of a holding handle. All cables are routed into the arm thanks to the integrated cable management and is therefore easy to clean.

The height and position of the arm can be easily adjusted using one hand due to the dual design of the gas spring.

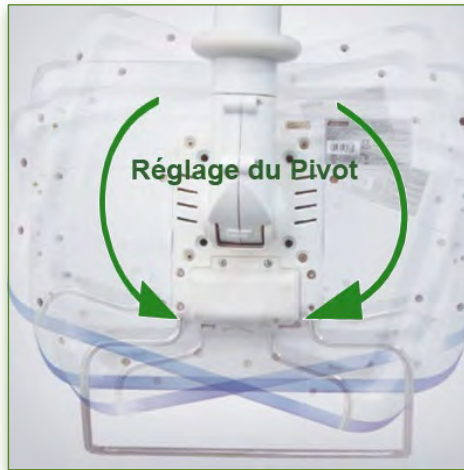
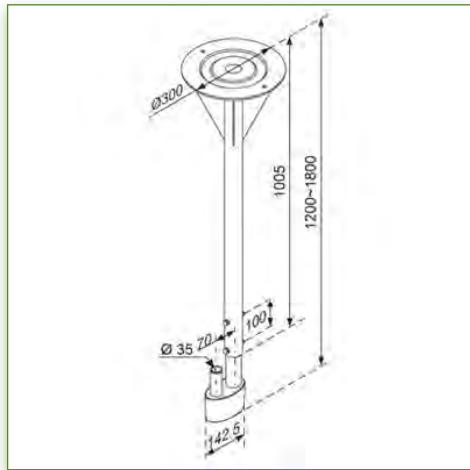
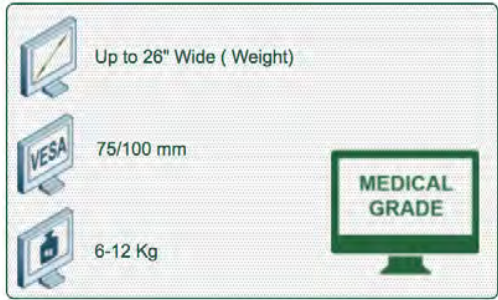
It can be used with many different screens even widescreen and touch screens with a maximum weight of 12 kg. The display must have the VESA mounting standard 75 x 75 mm / 100 x 100 mm or a special mounting plate if necessary.

**Technical specifications:**

- \* Integrated cable channel
- \* The head of this arm complies with the screen mounting standard: VESA MIS-D 75 mm and 100 mm.
- \* Compatible with screens whose weight does not exceed 6-12 Kg.
- \* Touch screen stability.
- \* Screen tilt: 40° down and 15° up
- \* Screen Rotation: 370°.
- \* Arm rotation: 370°.
- \* Height adjustment: 60° down, 420° up
- \* Total length 1825 mm
- \* Compatible with multimedia terminals (TMM)
- \* Carrying handle
- \* Ceiling mounting on an adjustable column from 1200 to 1800 mm
- \* Color White
- \* All our medical arms are in conformity: CE, ROHS, Medical Grade, Regulations MDD 93/42 ECC.
- \* Warranty: 5 years



Display Compatibility: 26" Wide ( Weight)  
Supported Weight: 6-12 Kg  
VESA standard: 75 / 100 mm



**Medical Grade**

Do not hesitate to contact us if you have any questions about this product.

**Warranty: 5 years**

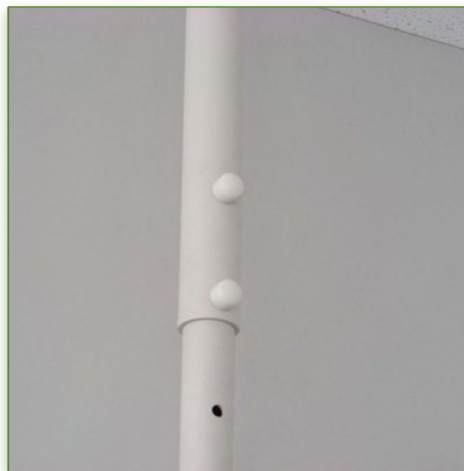
**000.667.102**

**Blanc**

**90 x 30 x 47 cm x 2**

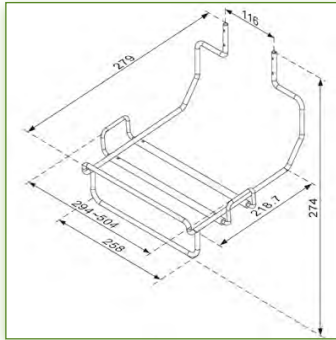
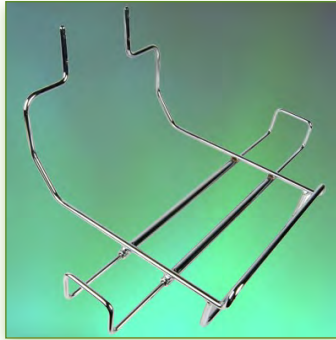
**40 Kg**

**667.102**



**Anti-bacterial properties:**

IT medical arms are now designed with Microban antibacterial protection, a revolutionary treatment that guarantees optimal hygiene. IT medical arms integrate Microban and other antibacterial agents into all medical products. It inhibits the growth of bacteria of all types. This is not a surface treatment. It is 100% in the totality of the product. It does not alter the physico-mechanical properties of the medical arm lift system. Simulations over 30 years show that 100% of the antibacterial properties are maintained. All medical articulated arms incorporate Microban. Microban is the world's leading provider of anti-bacterial solutions. It has been successfully applied for more than 35 years in a wide range of products used in the hospital, construction and food industries.



Keyboard holder for long medical arms

Part Number: 668.101



Do not hesitate to contact us if you have any questions about this product.



Warranty: 5 years



000.668.101



Aluminium



30 x 30 x 30 cm



1 Kg



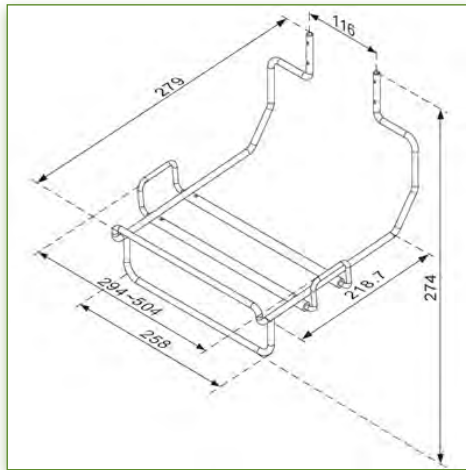
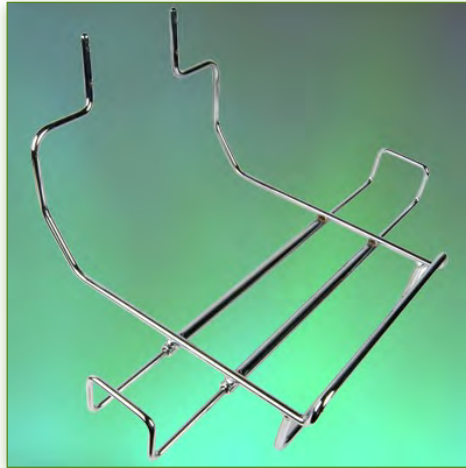
668.101

### Keyboard Holder for Long Monitor Medical Arm

This keyboard stand allows the comfortable and secure installation of an independent keyboard. Compatible with the full range of long medical arms

Technical specifications :

- \* Dimensions: 279 x 294 x 274 mm
- \* Suitable for most standard keyboards
- \* Colour Aluminium
- \* All our medical arms are in conformity: CE, ROHS, Medical Grade, Regulations MDD 93/42 ECC.
- \* Warranty: 5 years



Keyboard holder for long medical arms

Part Number: 668.101



**Medical Grade**



Do not hesitate to contact us if you have any questions about this product.



**Warranty: 5 years**



000.668.101



Aluminium



30 x 30 x 30 cm



1 Kg



668.101

**Anti-bacterial properties:**

IT medical arms are now designed with Microban antibacterial protection, a revolutionary treatment that guarantees optimal hygiene. IT medical arms integrate Microban and other antibacterial agents into all medical products. It inhibits the growth of bacteria of all types. This is not a surface treatment.

It is 100% in the totality of the product.

It does not alter the physico-mechanical properties of the medical arm lift system. Simulations over 30 years show that 100% of the antibacterial properties are maintained.

All medical articulated arms incorporate Microban. Microban is the world's leading provider of anti-bacterial solutions. It has been successfully applied for more than 35 years in a wide range of products used in the hospital, construction and food industries.





## Medical Grade

Innovative designs, a StS® shortened elevator technology with a factor 6 gas lift that makes computer medical elevation effortlessly unmatched in the industry.

This StS® technology offers smooth adjustment flexibility regardless of the size and strength of the user, allowing him to maximize his comfort of use both sitting and standing. The revolutionary design of the StS technology separates from conventional technologies that do not meet the safety factor standards generally used in this type of design.

A StS elevator technology that is not under pressure, which means that your long-term performance will remain higher.

Designed for prolonged sitting or permanent applications. The StS technology offers a true revolution in ergonomic design that can be used by a wide range of clinicians and caregivers of all sizes, allowing them to adjust the height of the medical arm.

Robust, anodized aluminum construction, complemented by a small footprint, makes computer medical arms accessible even in places where space is at a premium.

These computerized medical workstations contribute to the encoding of critical patient care information with comfort at the patient's bedside with unmatched travel comfort.

Computerized medical arms comply with hospital hygiene standards, effectively they contain less than 5% of plastic harmful to bacteria and can be disinfected in the smallest details.

An anti-bacterial coating (microban) ensures perfect hygiene of arms and all parts are therefore impermeable to bacteria, no asperities in their designs aimed at a complete cleaning, fast and easy, helping to control infections.

It takes only 10 minutes to completely disinfect the workstation.

Human-centered designs place mobile computing exactly where it needs to be, reducing the time spent on each task for more efficiency.

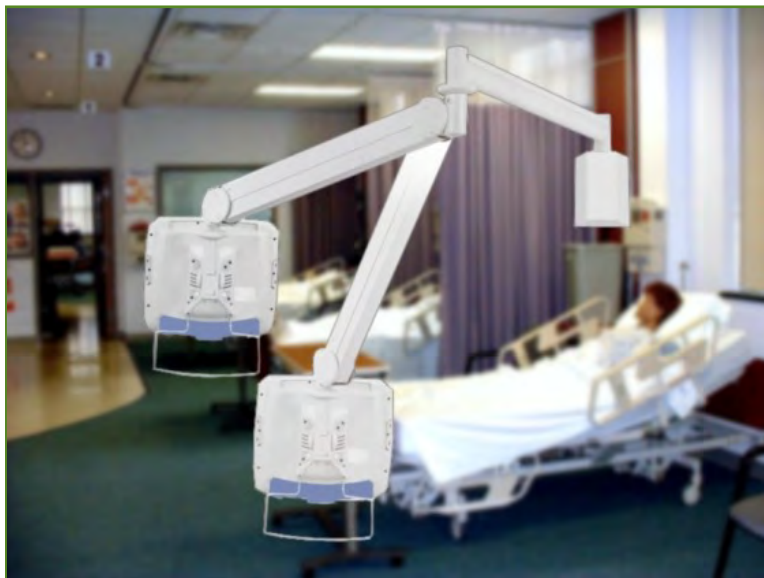
the fruit of a close collaboration with the nurses, the computer scientists, the doctors, offering them a comfort and an ergonomics unparalleled in the data entry.

These medical computer arm solutions offer healthy computing environments that promote work efficiency.

Developed for superior performance, quality, durability for a better return on investment. Designed and created to minimize the impact of energy consumption and thereby reduce the harmful effects of air emissions and pollution.

Backed by a 5 year warranty, our solutions will give you all satisfactions.

An Exceptional Experience! "Often copied, never equalled."



Unparalleled in terms of technology, comfort and installation

1/ CE and ROHS / DIN EN ISO 9001:2008 compliant and certified

2/ Anti-bacterial coating

3/ Height adjustable technology

4/ Medical Standards

5/ VESA 75 and 100 mm

6/ Possibility of wall or ceiling mounting

7/ Equipotential bonding and connector

8/ Adjustment and safety lever

9/ Easy adjustment and control of the gas spring

10/ Carrying handle

Translated with [www.DeepL.com/Translator](http://www.DeepL.com/Translator)

**Bacteria-proof**

Plastic, even food, is porous. This porosity, accentuated by scratches can cause bacteria nests in computerized medical arms during these constant manipulations. A biofilm can be put in place in a few hours, and allow the bacteria there to become resistant to external agents.

This is why our Computer Medical Arms, contrary to what we find on the market have a complete structure in anodized aluminum. Less than 5% of plastic in their designs dedicated specifically to the medical and hospital sector.

**Aluminum, its characteristics, its properties, its utility:****Main characteristics**

Density: 2700 kg / m<sup>3</sup>

Density: 2.7 (three times less than steel)

The use of aluminum is therefore essential in the areas of the construction of our computer arms.

**Corrosion resistance:**

Aluminum alloys are highly oxidizable. In the air, a layer of a few micrometers of aluminum oxide (Al<sub>2</sub>O<sub>3</sub>) is formed. Thanks to this thin film, aluminum alloys become resistant to corrosion. Unlike most metals, aluminum needs to oxidize to be used. Without this film of oxide, it would be unsuitable for most of its applications.

Thus, under normal atmospheric conditions, exterior building claddings or aluminum alloy parts have minimal maintenance and extended service life.

**Anodizing:**

Forced oxidation with an electrolyte makes it possible to obtain coloring of the parts. This anodizing can also be colorless to keep the shine of the pieces (aluminum color). The protective oxide layer can be made thicker by anodization.

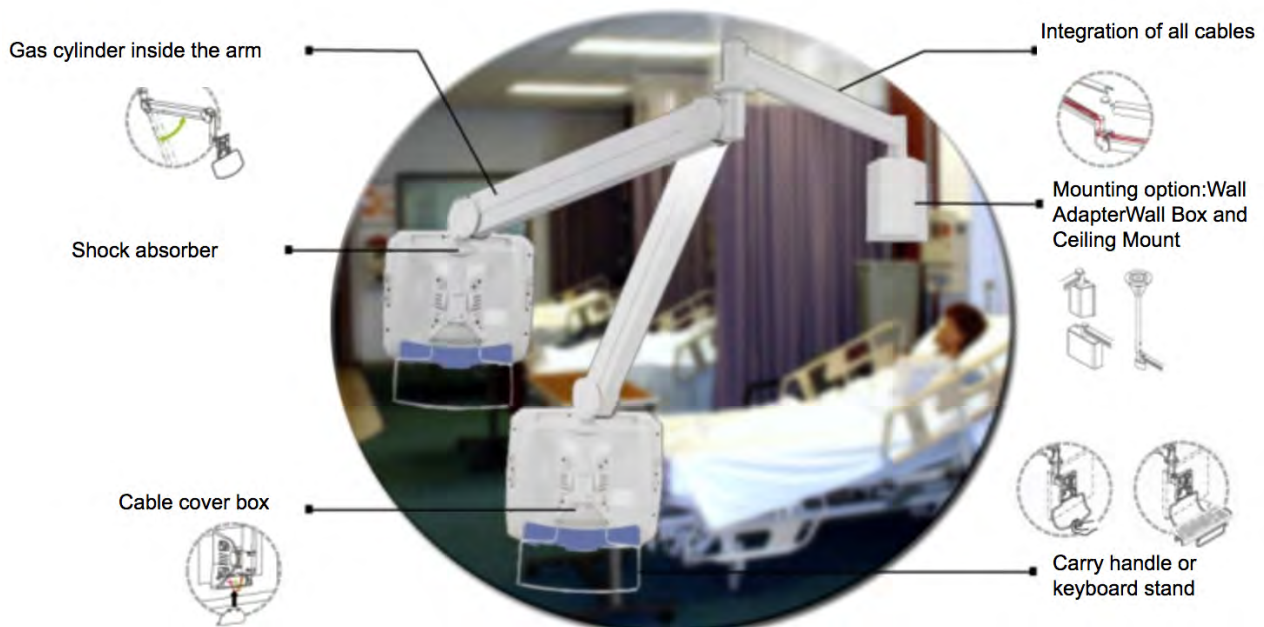
**Recycling:**

To recycle aluminum, there is nothing simpler: just melt it. In addition to environmental benefits, aluminum recycling is much less expensive than extraction from bauxite ore. It requires 95% less energy. And a ton of recycled aluminum saves four tons of bauxite. By skipping the electrolysis stage, which requires a lot of energy, we avoid the pollutant emissions associated with it. Aluminum is almost infinitely recyclable without losing its qualities. In France, aluminum is recovered as part of selective sorting. In sorting centers, it is sorted thanks to eddy currents. It is then broken and crushed and melted. The downside, aluminum remains on the market an expensive material.

### Efficient technology in accordance with medical standards

Plastic, even food grade plastic, is porous. This porosity, accentuated by scratches can lead to bacterial nests. Our computer medical arms are automatically height adjustable and are equipped with a safety adjustment. This unparalleled technology offers fluid adjustment flexibility regardless of the size and strength of the user, allowing him to optimize his comfort of use both sitting and standing.

Our medical arms comply with hospital hygiene standards and can be disinfected in the smallest details, an anti-bacterial coating ensures perfect hygiene, no rough edges in their designs for complete and easy cleaning contributing to infection control.

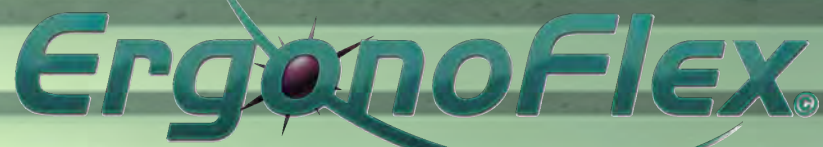


### Unparalleled in terms of technology, comfort and installation

- 1/ CE and ROHS / DIN EN ISO 9001:2018 compliant and certified
- 2/ Anti-bacterial coating
- 3/ Height adjustable technology
- 4/ Medical Standards
- 5/ VESA 75 and 100 mm
- 6/ Possibility of wall or ceiling mounting
- 7/ Equipotential bonding and connector
- 8/ Adjustment and safety lever
- 9/ Easy adjustment and control of the gas spring
- 10/ Carrying handle

Translated with [www.DeepL.com/Translator](http://www.DeepL.com/Translator)





**LONG MEDICAL ARMS FOR MONITORS**

**WALL AND CEILING MOUNTING**



**We have all the solutions and offer you the widest choice of**

**professional medical systems and supports compatible**

**with the widest possible range of medical and computer equipment.**

**[www.ergonoflex.com](http://www.ergonoflex.com)**

**Tel: +32 2 582 18 94**

**Email: [info@ergonoflex.com](mailto:info@ergonoflex.com)**