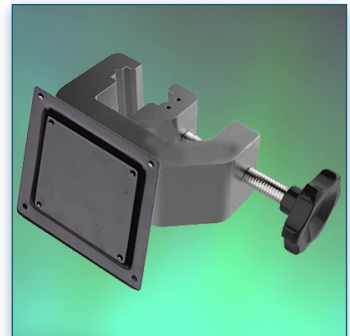
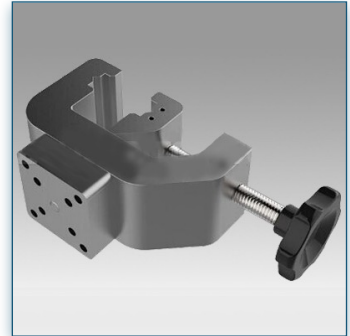


Do not hesitate to contact us if you have any questions about this product.



Warranty: 5 years



000.499.300



Aluminium and Black



4200 x 250 x 55 mm



2,9 Kg



499.300