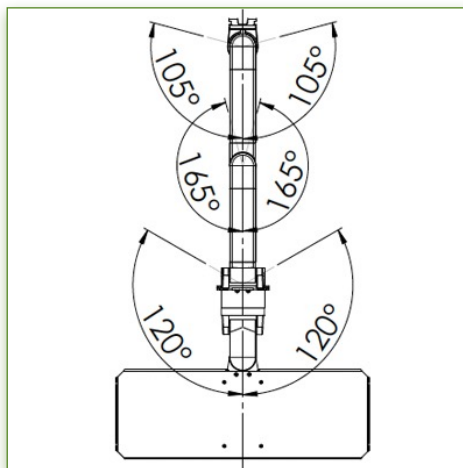
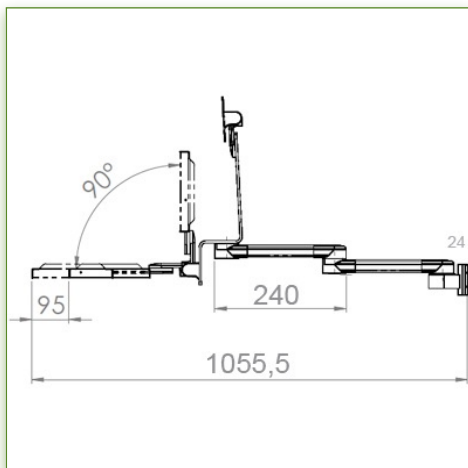
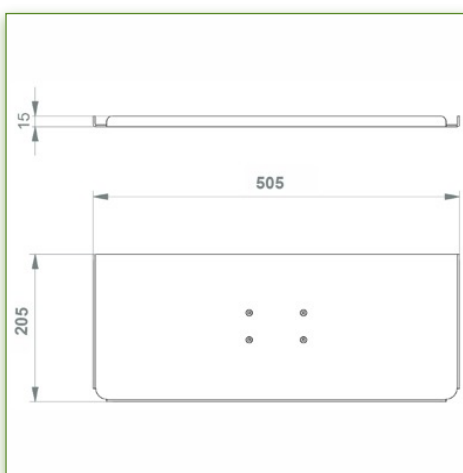
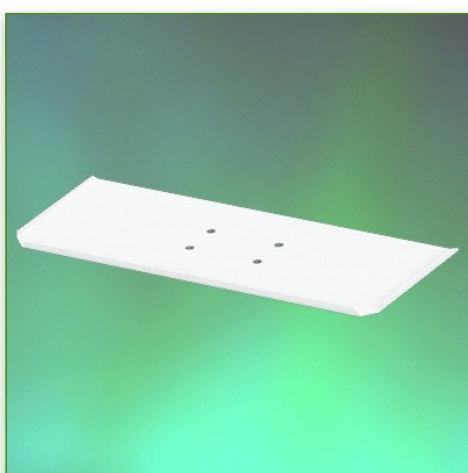


Display Compatibility: 26" Wide (Weight)
 Supported Weight: 15 Kg
 VESA standard: 75 / 100 mm
 Keyboard-Mouse holder: 500 x 200 mm

 Up to 26" Wide (Weight)
 75/100 mm
 15 Kg
 500 x 200 mm
MEDICAL GRADE
 Combo Folding


Do not hesitate to contact us if you have any questions about this product.

- Warranty: 5 years**
- 000.991.671-3
- Graphite Grey and White
- On Measure
- = Depending on the elements
- 991.671-3



Anti-bacterial properties:

IT medical arms are now designed with Microban antibacterial protection, a revolutionary treatment that guarantees optimal hygiene. IT medical arms integrate Microban and other antibacterial agents into all medical products. It inhibits the growth of bacteria of all types. This is not a surface treatment. It is 100% in the totality of the product. It does not alter the physico-mechanical properties of the medical arm lift system. Simulations over 30 years show that 100% of the antibacterial properties are maintained. All medical articulated arms incorporate Microban. Microban is the world's leading provider of anti-bacterial solutions. It has been successfully applied for more than 35 years in a wide range of products used in the hospital, construction and food industries.