



Workplace Wellness



Printer Stand Solutions





Printer Stand Solutions

Printers give rise to very specific problems when you are searching for a place to put them. Their dimensions make them rather awkward objects for location on desks. Our office utility and printer stands need no more than the absolute minimum of space. Their sturdy steel frame construction will cope with the demanding office environment of today and the intelligent range of designs will keep any equipment neatly organised and accessible. And, like all our products, these stands will improve the appearance and efficiency of your office.

Index

- * PrinterBoy Stand
(page 3 to page 5)
- * Printer Paper Basket Stand
(page 6)
- * Laser & Inkjet Printer
(page 7 to page 9)
- * Printer Stand 3 Levels
(page 10 to 12)
- * Printer Stand Heavy
(page 13)
- * Office Machine Stand
(page 14 to 16)
- * File Stand 3 Levels
(page 17 to 19)
- * Printer Stand 4 Levels
(page 20 to 22)
- * Printer Stand 5 Levels
(page 23 to 25)



Printer Stand
Applications



Workplace Wellness

www.ergonoflex.com

Product Data Sheet

Printer Stand "PrinterBoy"

600 x 510 x 390 mm

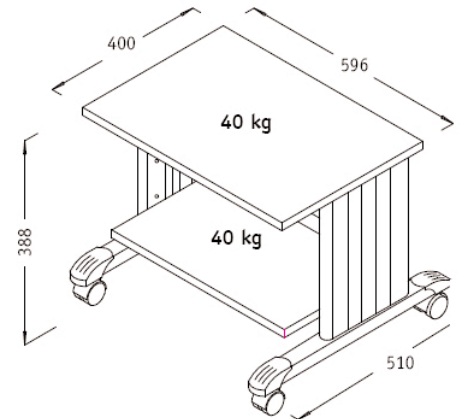
Color Light Grey

Workplace Wellness

Part Number
EGF 85100

www.ergonoflex.com

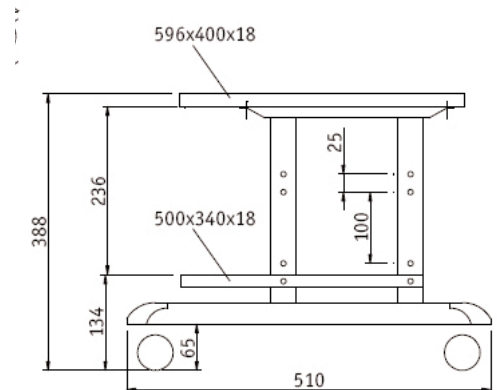
Page 3



Printer Stand "PrinterBoy" Light Grey

Printers give rise to very specific problems when you are searching for a place to put them. Their dimensions make them rather awkward objects for location on desks. Our office utility and printer stands need no more than the absolute minimum of space. Their sturdy steel frame construction will cope with the demanding office environment of today and the intelligent range of designs will keep any equipment neatly organised and accessible. And, like all our products, these stands will improve the appearance and efficiency of your office.

- The smallest printer stand
- 2 fixed height panels
- With 4 castors (2 braked)
- KD packed
- Dimensions : 600 x 510 x 390 mm
- Color : light grey



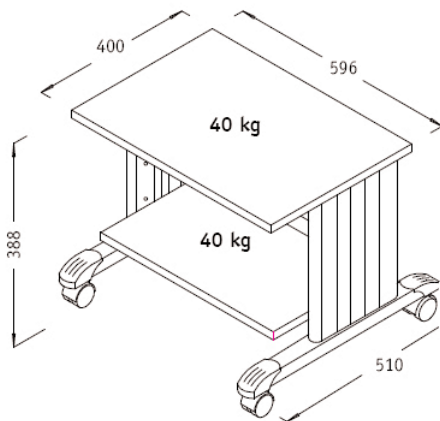


Product Data Sheet

Printer Stand "PrinterBoy"

600 x 510 x 390 mm

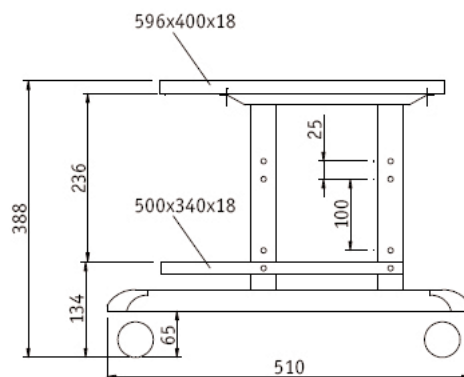
Color Black / Beech



Printer Stand "PrinterBoy" Black / Beech

Printers give rise to very specific problems when you are searching for a place to put them. Their dimensions make them rather awkward objects for location on desks. Our office utility and printer stands need no more than the absolute minimum of space. Their sturdy steel frame construction will cope with the demanding office environment of today and the intelligent range of designs will keep any equipment neatly organised and accessible. And, like all our products, these stands will improve the appearance and efficiency of your office.

- The smallest printer stand
- 2 fixed height panels
- With 4 castors (2 braked)
- KD packed
- Dimensions : 600 x 510 x 390 mm
- Color : Black / Beech



Workplace Wellness

Part Number
EGF 85103

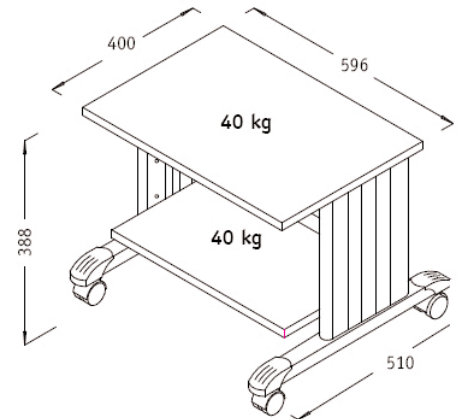
www.ergonoflex.com

Product Data Sheet

Printer Stand "PrinterBoy"

600 x 510 x 390 mm

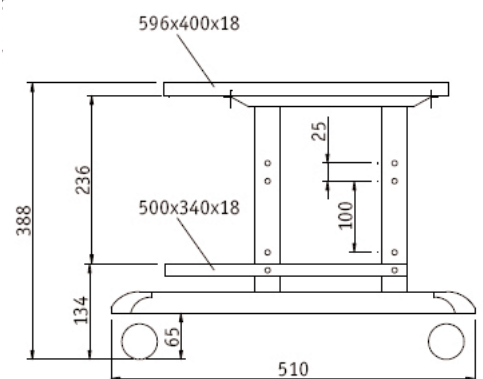
Color Black / Cherry



Printer Stand "PrinterBoy" Black / Cherry

Printers give rise to very specific problems when you are searching for a place to put them. Their dimensions make them rather awkward objects for location on desks. Our office utility and printer stands need no more than the absolute minimum of space. Their sturdy steel frame construction will cope with the demanding office environment of today and the intelligent range of designs will keep any equipment neatly organised and accessible. And, like all our products, these stands will improve the appearance and efficiency of your office.

- The smallest printer stand
- 2 fixed height panels
- With 4 castors (2 braked)
- KD packed
- Dimensions : 600 x 510 x 390 mm
- Color : Black / Cherry



Workplace Wellness

Part Number
EGF 85105

www.ergonoflex.com

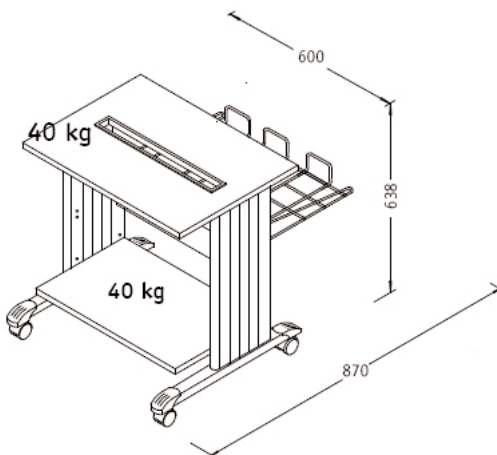


Product Data Sheet

Printer Stand PaperBasket

600 x 510 x 640 mm

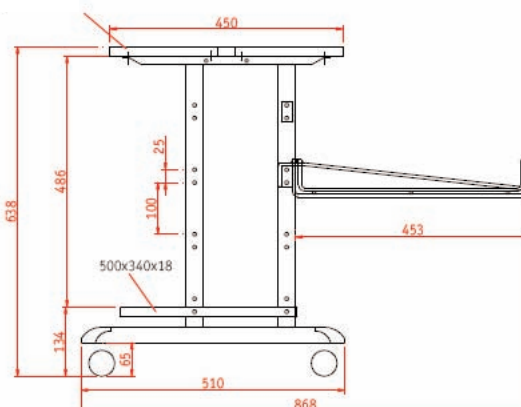
Color Light Grey



Printer Stand "PaperBasket Light Grey

Printers give rise to very specific problems when you are searching for a place to put them. Their dimensions make them rather awkward objects for location on desks. Our office utility and printer stands need no more than the absolute minimum of space. Their sturdy steel frame construction will cope with the demanding office environment of today and the intelligent range of designs will keep any equipment neatly organised and accessible. And, like all our products, these stands will improve the appearance and efficiency of your office.

- Universel printer stand
- 2 levels (1 height adjustable)
- Complete with paper catch basket
- With 4 castors (2 braked)
- KD packed
- Dimensions : 600 x 510 x 640 mm
- Color : light grey



Workplace Wellness

Part Number
EGF 85200

www.ergonoflex.com

Product Data Sheet

Printer Stand
Laser - Inkjet

600 x 510 x 640 mm

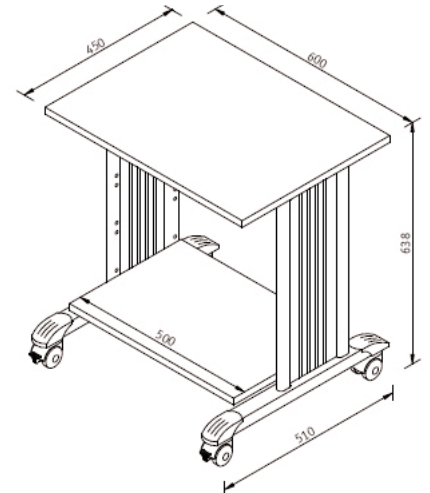
Color Light Grey

Workplace Wellness

Part Number
EGF 85210

www.ergonoflex.com

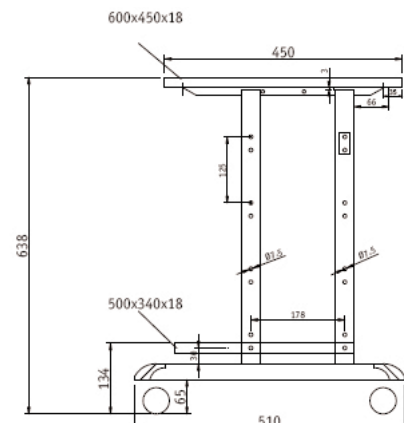
Page 7



Printer Stand "PaperBasket Light Grey

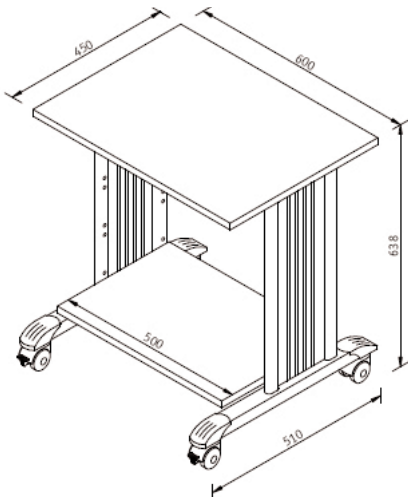
Printers give rise to very specific problems when you are searching for a place to put them. Their dimensions make them rather awkward objects for location on desks. Our office utility and printer stands need no more than the absolute minimum of space. Their sturdy steel frame construction will cope with the demanding office environment of today and the intelligent range of designs will keep any equipment neatly organised and accessible. And, like all our products, these stands will improve the appearance and efficiency of your office.

- Printer Stand for Laser or Inkjet printer
- 2 levels (1 height adjustable)
- Complete with paper catch basket
- With 4 castors (2 braked)
- KD packed
- Dimensions : 600 x 510 x 640 mm
- Color : light grey





Product Data Sheet



Printer Stand
Laser - Inkjet

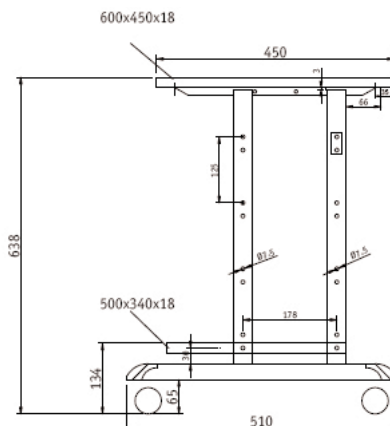
600 x 510 x 640 mm

Color Black / Beech

Printer Stand "PaperBasket Black / Beech

Printers give rise to very specific problems when you are searching for a place to put them. Their dimensions make them rather awkward objects for location on desks. Our office utility and printer stands need no more than the absolute minimum of space. Their sturdy steel frame construction will cope with the demanding office environment of today and the intelligent range of designs will keep any equipment neatly organised and accessible. And, like all our products, these stands will improve the appearance and efficiency of your office.

- Printer Stand for Laser or Inkjet printer
- 2 levels (1 height adjustable)
- Complete with paper catch basket
- With 4 castors (2 braked)
- KD packed
- Dimensions : 600 x 510 x 640 mm
- Color : Black / Beech



Workplace Wellness

Part Number
EGF 85213

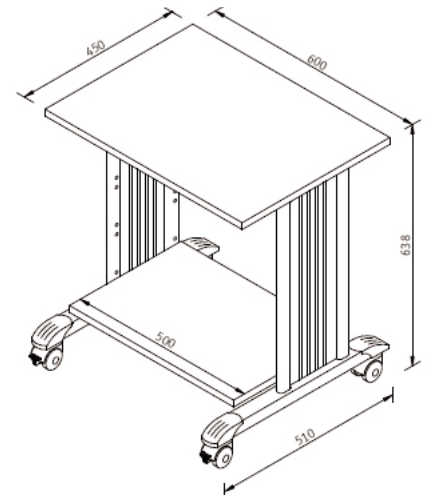
www.ergonoflex.com

Product Data Sheet

Printer Stand
Laser - Inkjet

600 x 510 x 640 mm

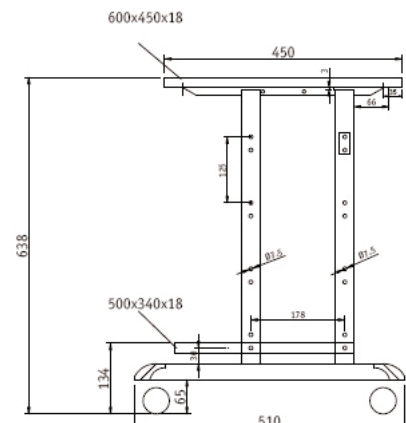
Color Black / Cherry



Printer Stand "PaperBasket Black / Cherry

Printers give rise to very specific problems when you are searching for a place to put them. Their dimensions make them rather awkward objects for location on desks. Our office utility and printer stands need no more than the absolute minimum of space. Their sturdy steel frame construction will cope with the demanding office environment of today and the intelligent range of designs will keep any equipment neatly organised and accessible. And, like all our products, these stands will improve the appearance and efficiency of your office.

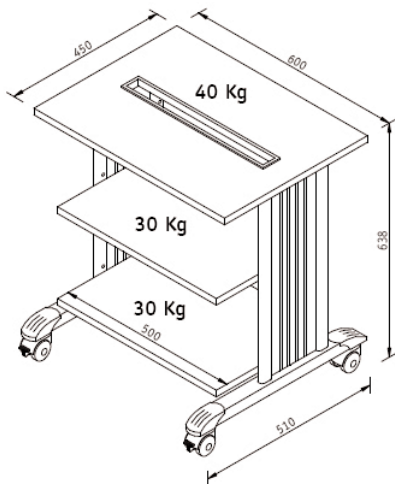
- Printer Stand for Laser or Inkjet printer
- 2 levels (1 height adjustable)
- Complete with paper catch basket
- With 4 castors (2 braked)
- KD packed
- Dimensions : 600 x 510 x 640 mm
- Color : Black / Cherry



Printer Stand
3 Levels

600 x 510 x 390 mm

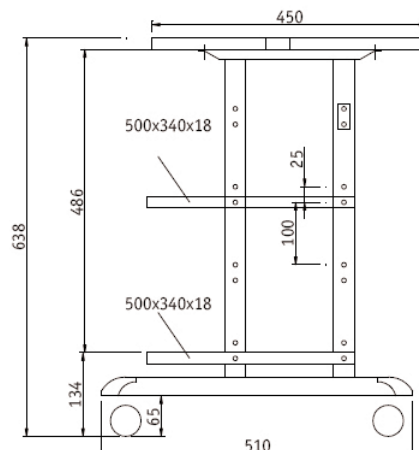
Color Light Grey



Printer Stand 3 Levels Light Grey

Printers give rise to very specific problems when you are searching for a place to put them. Their dimensions make them rather awkward objects for location on desks. Our office utility and printer stands need no more than the absolute minimum of space. Their sturdy steel frame construction will cope with the demanding office environment of today and the intelligent range of designs will keep any equipment neatly organised and accessible. And, like all our products, these stands will improve the appearance and efficiency of your office.

- Printer stand for all types of printer
- 3 levels (1 height adjustable)
- Top panel with slot for paper
- With 4 castors which brakes
- KD packed
- Dimensions : 600 x 510 x 640 mm
- Color : light grey



Part Number
EGF 85220

www.ergonoflex.com

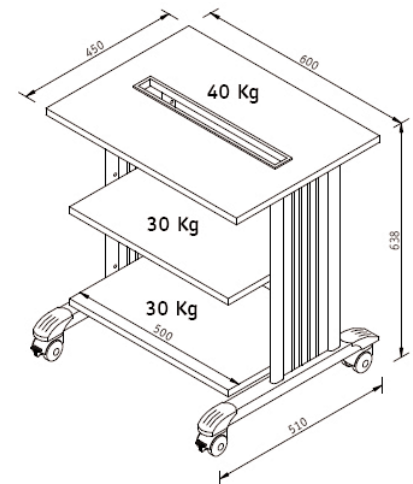
Product Data Sheet



Printer Stand
3 Levels

600 x 510 x 390 mm

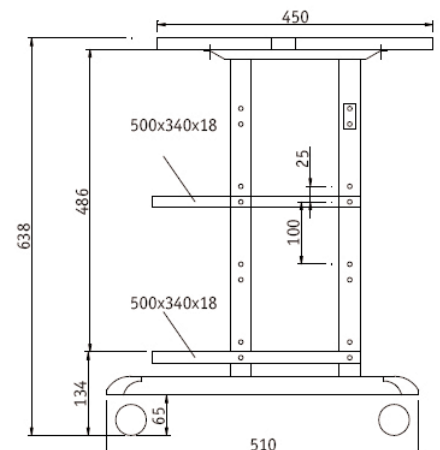
Color Black / Beech



Printer Stand 3 Levels Black Beech

Printers give rise to very specific problems when you are searching for a place to put them. Their dimensions make them rather awkward objects for location on desks. Our office utility and printer stands need no more than the absolute minimum of space. Their sturdy steel frame construction will cope with the demanding office environment of today and the intelligent range of designs will keep any equipment neatly organised and accessible. And, like our products, these stands will improve the appearance and efficiency of your office.

- Printer stand for all types of printer
- 3 levels (1 height adjustable)
- Top panel with slot for paper
- With 4 castors which brakes
- KD packed
- Dimensions : 600 x 510 x 640 mm
- Color : Black/Beech



Workplace Wellness

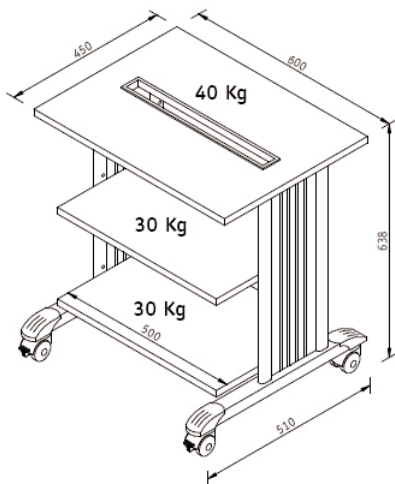
Part Number
EGF 85223

www.ergonoflex.com

Printer Stand
3 Levels

600 x 510 x 390 mm

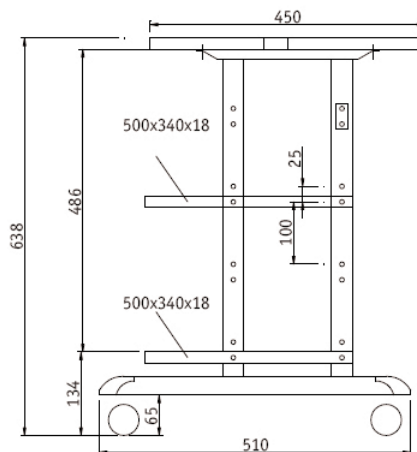
Color Black / Cherry



Printer Stand 3 Levels Black Cherry

Printers give rise to very specific problems when you are searching for a place to put them. Their dimensions make them rather awkward objects for location on desks. Our office utility and printer stands need no more than the absolute minimum of space. Their sturdy steel frame construction will cope with the demanding office environment of today and the intelligent range of designs will keep any equipment neatly organised and accessible. And, like all our products, these stands will improve the appearance and efficiency of your office.

- Printer stand for all types of printer
- 3 levels (1 height adjustable)
- Top panel with slot for paper
- With 4 castors which brakes
- KD packed
- Dimensions : 600 x 510 x 640 mm
- Color : Black/Cherry



Workplace Wellness

Part Number
EGF 85225

www.ergonoflex.com

Product Data Sheet

Printer Stand Heavy

750 x 610 x 718 mm

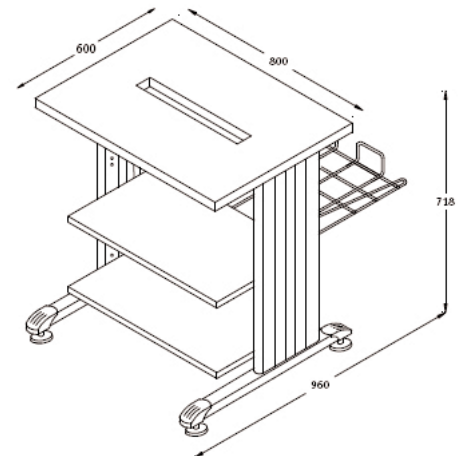
Color Light Grey

Workplace Wellness

Part Number
EGF 85350

www.ergonoflex.com

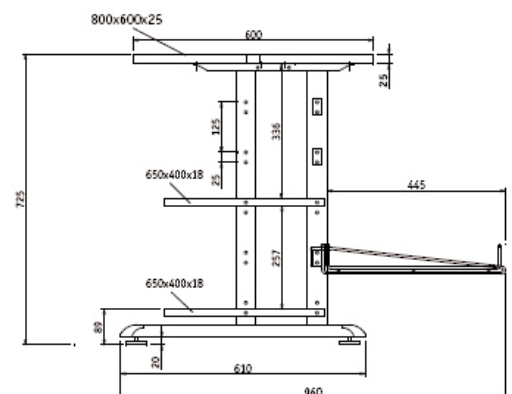
Page 13



Printer Stand Heavy Light Grey

Printers give rise to very specific problems when you are searching for a place to put them. Their dimensions make them rather awkward objects for location on desks. Our office utility and printer stands need no more than the absolute minimum of space. Their sturdy steel frame construction will cope with the demanding office environment of today and the intelligent range of designs will keep any equipment neatly organised and accessible. And, like all our products, these stands will improve the appearance and efficiency of your office.

- Printer stand for heavy printer
- 3 levels (1 height adjustable)
- Top panel adjustable in depth
- Complete with paper catch basket
- On 4 adjustable feet
- KD packed
- Dimensions : 750 x 610 x 718 mm
- Color : light grey



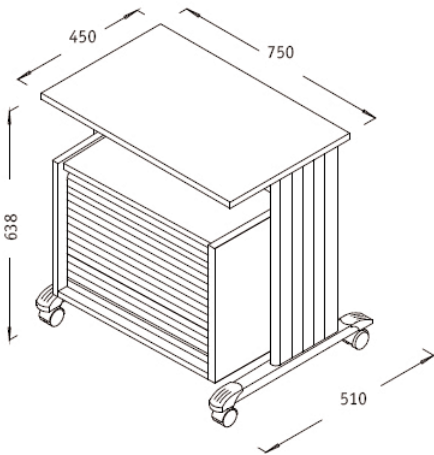


Product Data Sheet

Office Machine Stand

750 x 510 x 640 mm

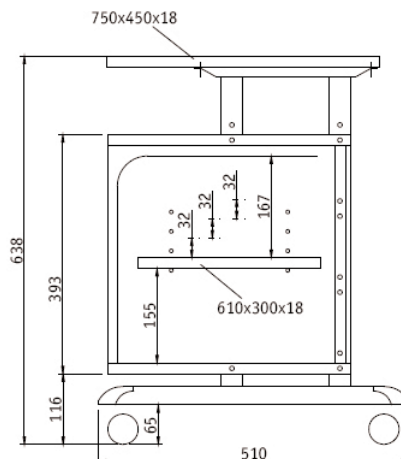
Color Light Grey



Office Machine Stand Light Grey

Printers give rise to very specific problems when you are searching for a place to put them. Their dimensions make them rather awkward objects for location on desks. Our office utility and printer stands need no more than the absolute minimum of space. Their sturdy steel frame construction will cope with the demanding office environment of today and the intelligent range of designs will keep any equipment neatly organised and accessible. And, like all our products, these stands will improve the appearance and efficiency of your office.

- Office machine stand
- Tambour door
- With 4 castors (2 braked)
- KD packed
- Dimensions : 750 x 510 x 640 mm
- Color : light grey



Workplace Wellness

Part Number
EGF 85450

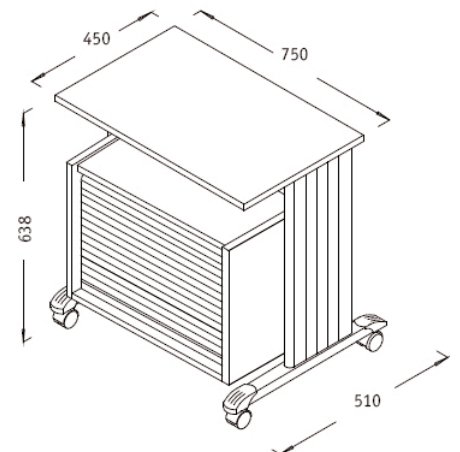
www.ergonoflex.com

Product Data Sheet

Office Machine Stand

750 x 510 x 640 mm

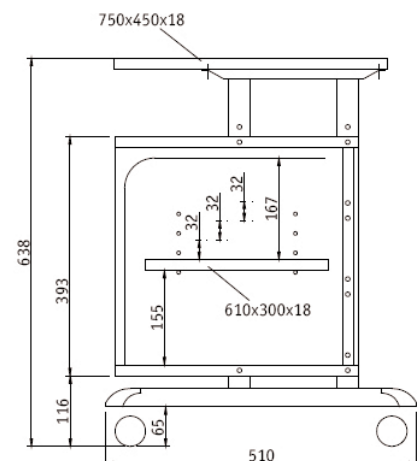
Color Black / Beech



Office Machine Stand Black Beech

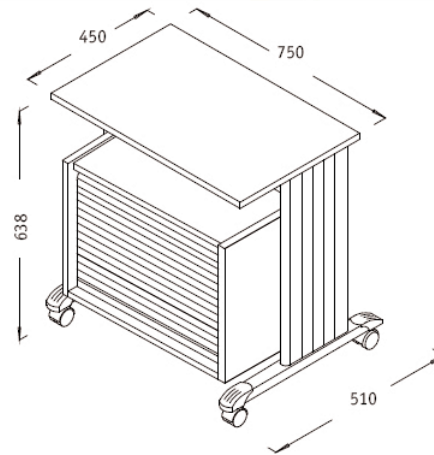
Printers give rise to very specific problems when you are searching for a place to put them. Their dimensions make them rather awkward objects for location on desks. Our office utility and printer stands need no more than the absolute minimum of space. Their sturdy steel frame construction will cope with the demanding office environment of today and the intelligent range of designs will keep any equipment neatly organised and accessible. And, like all our products, these stands will improve the appearance and efficiency of your office.

- Office machine stand
- Tambour door
- With 4 castors (2 braked)
- KD packed
- Dimensions : 750 x 510 x 640 mm
- Color : Black/Beech





Product Data Sheet



Office Machine Stand

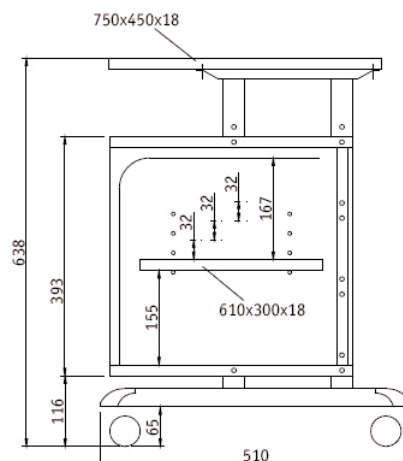
750 x 510 x 640 mm

Color Black / Cherry

Office Machine Stand Black Cherry

Printers give rise to very specific problems when you are searching for a place to put them. Their dimensions make them rather awkward objects for location on desks. Our office utility and printer stands need no more than the absolute minimum of space. Their sturdy steel frame construction will cope with the demanding office environment of today and the intelligent range of designs will keep any equipment neatly organised and accessible. And, like all our products, these stands will improve the appearance and efficiency of your office.

- Office machine stand
- Tambour door
- With 4 castors (2 braked)
- KD packed
- Dimensions : 750 x 510 x 640 mm
- Color : Black/Cherry



Workplace Wellness

Part Number
EGF 85455

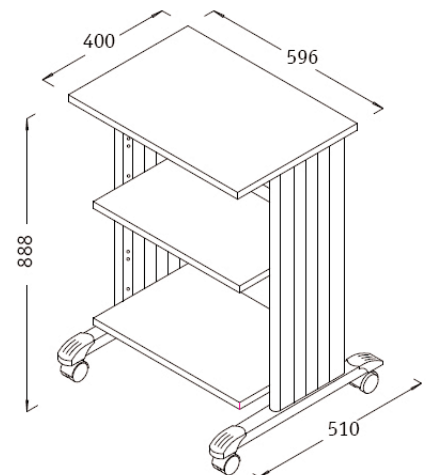
www.ergonoflex.com

Product Data Sheet

File Stand 3 Levels

600 x 510 x 890 mm

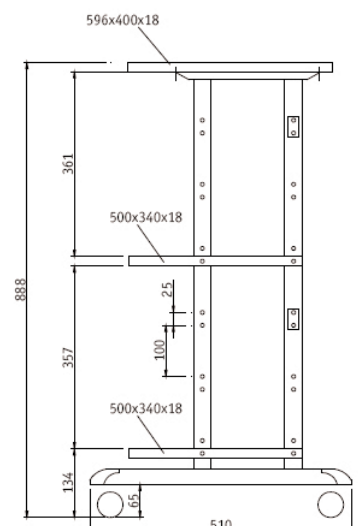
Color Light Grey

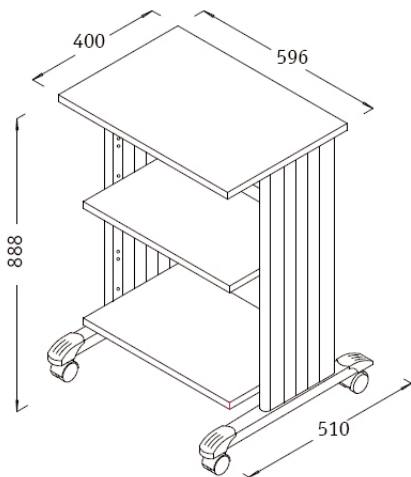


File Stand 3 Levels Light Grey

Printers give rise to very specific problems when you are searching for a place to put them. Their dimensions make them rather awkward objects for location on desks. Our office utility and printer stands need no more than the absolute minimum of space. Their sturdy steel frame construction will cope with the demanding office environment of today and the intelligent range of designs will keep any equipment neatly organised and accessible. And, like all our products, these stands will improve the appearance and efficiency of your office.

- File stand with 3 levels
- With 4 castors (2 braked)
- Height adjustable middle panel
- KD packed
- Dimensions : 600 x 510 x 890 mm
- Color : light grey





File Stand 3 Levels

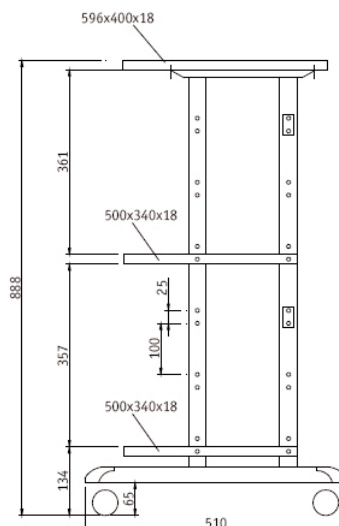
600 x 510 x 890 mm

Color Black / Beech

File Stand 3 Levels Black Beech

Printers give rise to very specific problems when you are searching for a place to put them. Their dimensions make them rather awkward objects for location on desks. Our office utility and printer stands need no more than the absolute minimum of space. Their sturdy steel frame construction will cope with the demanding office environment of today and the intelligent range of designs will keep any equipment neatly organised and accessible. And, like all our products, these stands will improve the appearance and efficiency of your office.

- File stand with 3 levels
- With 4 castors (2 braked)
- Height adjustable middle panel
- KD packed
- Dimensions : 600 x 510 x 890 mm
- Color : Black/Beech



Part Number
EGF 85503

www.ergonoflex.com

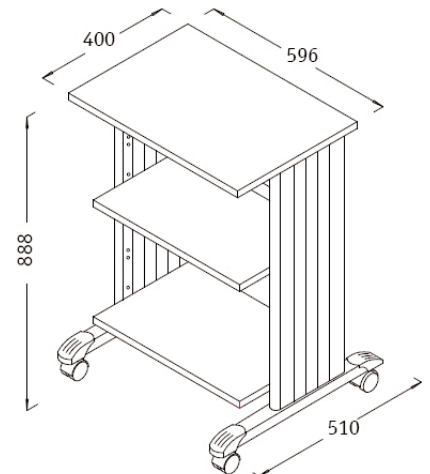
Product Data Sheet



File Stand 3 Levels

600 x 510 x 890 mm

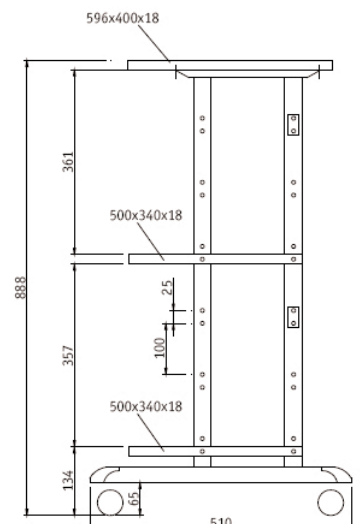
Color Black / Cherry



File Stand 3 Levels Black Beech

Printers give rise to very specific problems when you are searching for a place to put them. Their dimensions make them rather awkward objects for location on desks. Our office utility and printer stands need no more than the absolute minimum of space. Their sturdy steel frame construction will cope with the demanding office environment of today and the intelligent range of designs will keep any equipment neatly organised and accessible. And, like all our products, these stands will improve the appearance and efficiency of your office.

- File stand with 3 levels
- With 4 castors (2 braked)
- Height adjustable middle panel
- KD packed
- Dimensions : 600 x 510 x 890 mm
- Color : Black/Cherry



Workplace Wellness

Part Number
EGF 85505

www.ergonoflex.com

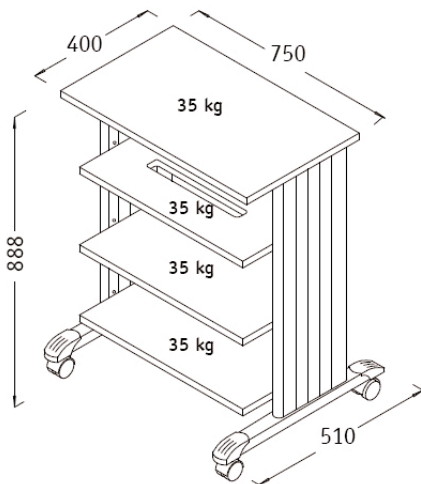


Product Data Sheet

Printer Stand 4 Levels

750 x 400 x 888 mm

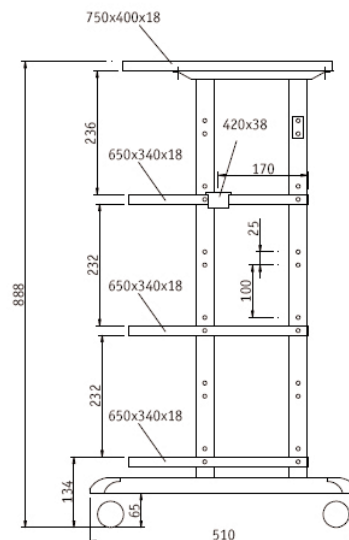
Color Light Grey



Printer Stand 4 Levels Light Grey

Printers give rise to very specific problems when you are searching for a place to put them. Their dimensions make them rather awkward objects for location on desks. Our office utility and printer stands need no more than the absolute minimum of space. Their sturdy steel frame construction will cope with the demanding office environment of today and the intelligent range of designs will keep any equipment neatly organised and accessible. And, like all our products, these stands will improve the appearance and efficiency of your office.

- Printer stand with 4 levels
- With 4 castors (2 braked)
- Height adjustable panels
- Panel with slot for paper
- KD packed
- Dimensions : 750 x 400 x 888 mm
- Color : light grey



Workplace Wellness

Part Number
EGF 85900

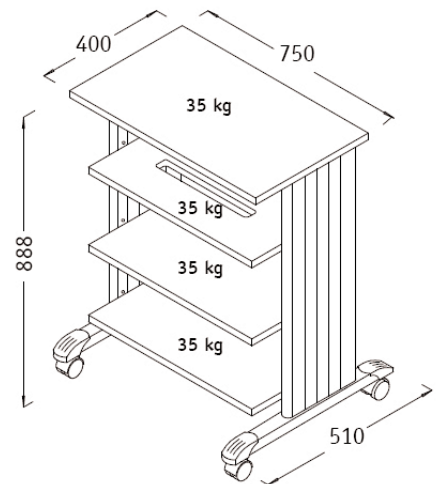
www.ergonoflex.com

Product Data Sheet

Printer Stand 4 Levels

750 x 400 x 888 mm

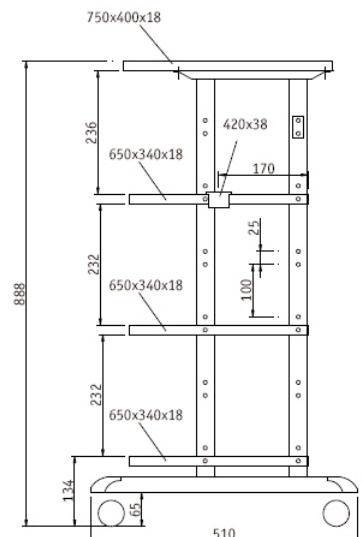
Color Black / Beech



Printer Stand 4 Levels Black Beech

Printers give rise to very specific problems when you are searching for a place to put them. Their dimensions make them rather awkward objects for location on desks. Our office utility and printer stands need no more than the absolute minimum of space. Their sturdy steel frame construction will cope with the demanding office environment of today and the intelligent range of designs will keep any equipment neatly organised and accessible. And, like all our products, these stands will improve the appearance and efficiency of your office.

- Printer stand with 4 levels
- With 4 castors (2 braked)
- Height adjustable panels
- Panel with slot for paper
- KD packed
- Dimensions : 750 x 400 x 888 mm
- Color : Black/Beech



Workplace Wellness

Part Number
EGF 85903

www.ergonoflex.com

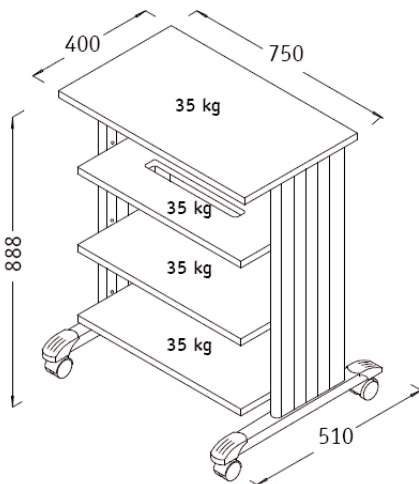


Product Data Sheet

Printer Stand 4 Levels

750 x 400 x 888 mm

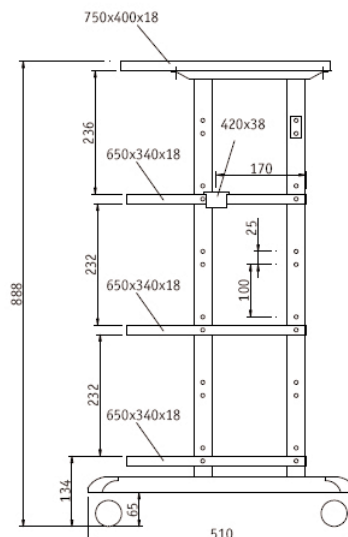
Color LBlack / Cherry



Printer Stand 4 Levels Black Cherry

Printers give rise to very specific problems when you are searching for a place to put them. Their dimensions make them rather awkward objects for location on desks. Our office utility and printer stands need no more than the absolute minimum of space. Their sturdy steel frame construction will cope with the demanding office environment of today and the intelligent range of designs will keep any equipment neatly organised and accessible. And, like all our products, these stands will improve the appearance and efficiency of your office.

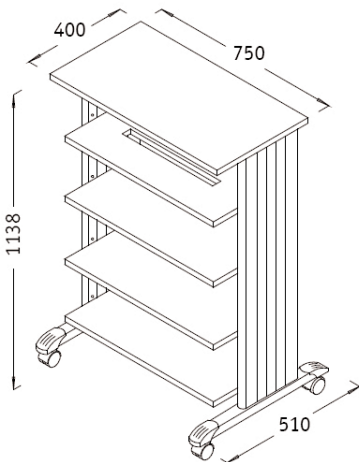
- Printer stand with 4 levels
- With 4 castors (2 braked)
- Height adjustable panels
- Panel with slot for paper
- KD packed
- Dimensions : 750 x 400 x 888 mm
- Color : Black/Cherry



Workplace Wellness

Part Number
EGF 85905

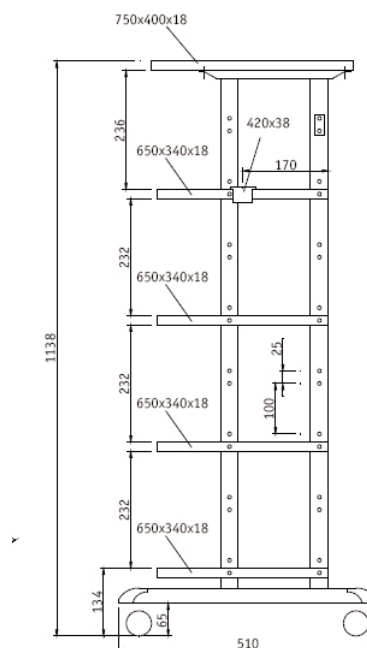
www.ergonoflex.com



Printer Stand 5 Levels Black Beech

Printers give rise to very specific problems when you are searching for a place to put them. Their dimensions make them rather awkward objects for location on desks. Our office utility and printer stands need no more than the absolute minimum of space. Their sturdy steel frame construction will cope with the demanding office environment of today and the intelligent range of designs will keep any equipment neatly organised and accessible. And, like all our products, these stands will improve the appearance and efficiency of your office.

- Printer stand with 5 levels
- With 4 castors (2 braked)
- Height adjustable panels
- Panel with slot for paper
- KD packed
- Dimensions : 750 x 400 x 1138 mm
- Color : Black/Beech

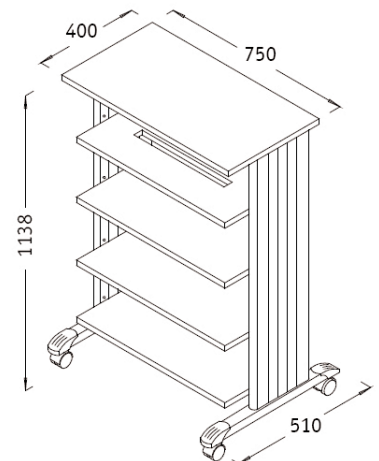


Product Data Sheet

Printer Stand 5 Levels

750 x 400 x 1138 mm

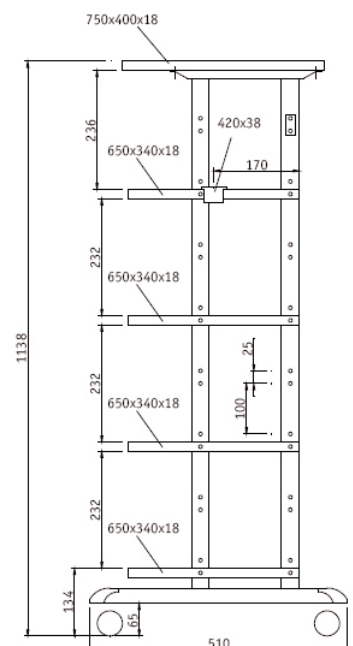
Color Black / Cherry



Printer Stand 5 Levels Black Cherry

Printers give rise to very specific problems when you are searching for a place to put them. Their dimensions make them rather awkward objects for location on desks. Our office utility and printer stands need no more than the absolute minimum of space. Their sturdy steel frame construction will cope with the demanding office environment of today and the intelligent range of designs will keep any equipment neatly organised and accessible. And, like all our products, these stands will improve the appearance and efficiency of your office.

- Printer stand with 5 levels
- With 4 castors (2 braked)
- Height adjustable panels
- Panel with slot for paper
- KD packed
- Dimensions : 750 x 400 x 1138 mm
- Color : Black/Cherry



Workplace Wellness

Part Number
EGF 85915

www.ergonoflex.com



Protection and noise reduction

"Noise" in the office is a real hindrance. It causes stress, and accelerates fatigue.

We offers a number of answers you need to reduce the noise generated by the dot matrix printer to under the 43 dB(A) specified in the European Directive. All hoods are provided with patented adjustable slots in the back for a jamfree paper output. "Dust" however distructs the vulnerable mechanism of our laser printer. A dust cover prevents this and lengthens its life time. A tambour door and a slide out printer shelf give access to all sides. The integral fan in all enclosures ensures that your valuable printer is adequately cooled - no matter how often or how long it is used. Acoustic hoods will enable you to create ideal working conditions. Consult your dealer about a suitable model for your printer.

More information on www.ergonoflex.com





Workplace Wellness



Printer Stand Solutions

