

Medical Lift Articulate One long extension Monitor Arm Wall Mount

Medical Lift Articulate One long extension Monitor Arm Wall Mount

ErgonoFlex Medical Lift Long Arm Extension makes it possible to release space, to move and place easily your screen at the point of need. To add comfort and ergonomics to your screen forever be also easy. It offers an incredible flexibility of adjustment which makes it possible to fight actively against ocular tiredness and the skeletal disorders musculo related to work on screen. Attended of a jack gas and a long extension. Add a greater mobility to your liquid crystal display or TV with the medical long arm! Ideal for the majority of the environments, including the hospital, the dentist, of the private clinics, the laboratories, manufacture, of the airports, and all the applications or an arm big length is valid.

This arm ErgonoFlex Arm is telescopic allows a horizontal deployment of 1725mm.

A greater mobility to your liquid crystal display or TV with the medical long arm ErgonoFlex Adapter VESA 75/100 mm. Cable Management inside the arm integrated.

Max. load LCD: 6 kg. Vesa 75/100 mm

Color: Light Grey.

EGF51790 - Medical Lift Articulate One long extension Monitor Arm Wall Mount



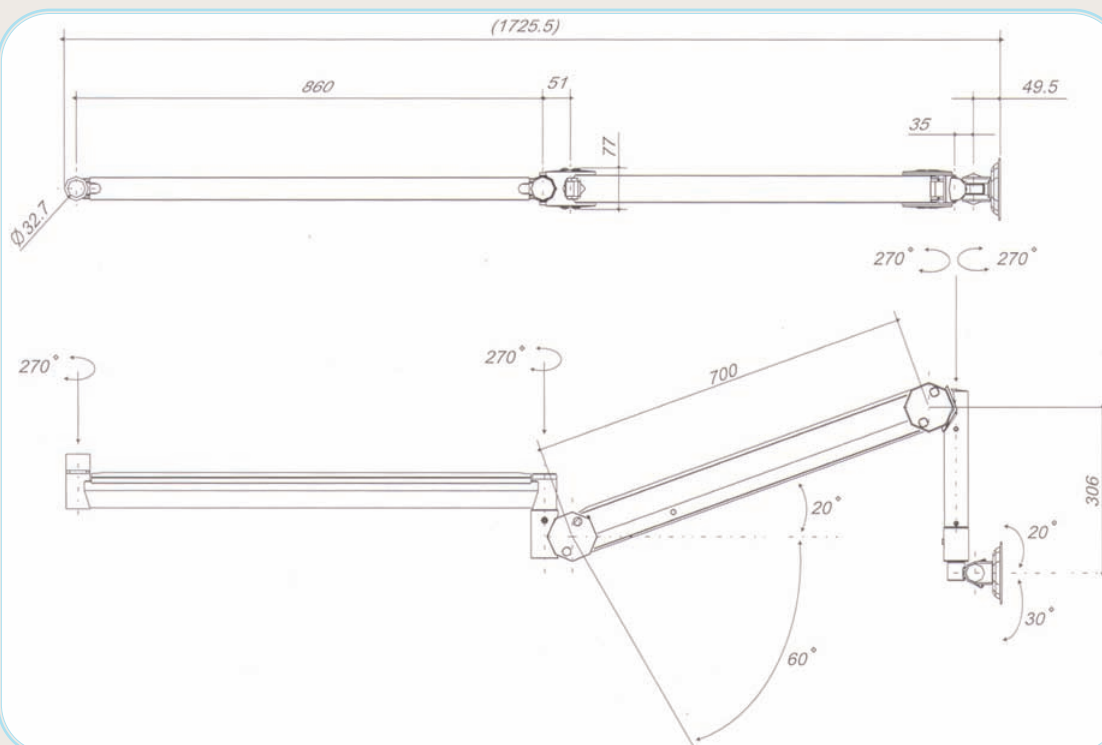
Safety, health
and hygiene



CE
CERTIFICATION



Technical Dimensions



Medical Lift Articulate One long extension Monitor Arm Ceiling Mount

Medical Lift Articulate One long extension Monitor Arm Ceiling Mount

ErgonoFlex Medical Lift Long Arm Extension makes it possible to release space, to move and place easily your screen at the point of need. To add comfort and ergonomics to your screen forever be also easy. It offers an incredible flexibility of adjustment which makes it possible to fight actively against ocular tiredness and the skeletal disorders musculo related to work on screen. Attended of a jack gas and a long extension. Add a greater mobility to your liquid crystal display or TV with the medical long arm! Ideal for the majority of the environments, including the hospital, the dentist, of the private clinics, the laboratories, manufacture, of the airports, and all the applications or an arm big length is valid.

This arm ErgonoFlex Arm is telescopic allows a horizontal deployment of 1725 mm.

A greater mobility to your liquid crystal display or TV with the medical long arm ErgonoFlex Adapter VESA 75/100 mm. Cable Management inside the arm integrated.

Max. load LCD: 6 kg. Vesa 75/100 mm

Color: Light Grey.

EGF51791 - Medical Lift Articulate One long extension Monitor Arm Ceiling Mount



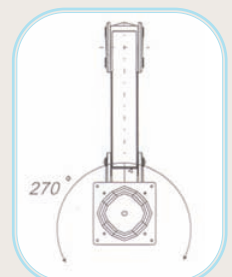
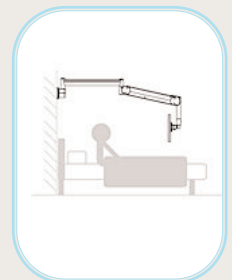
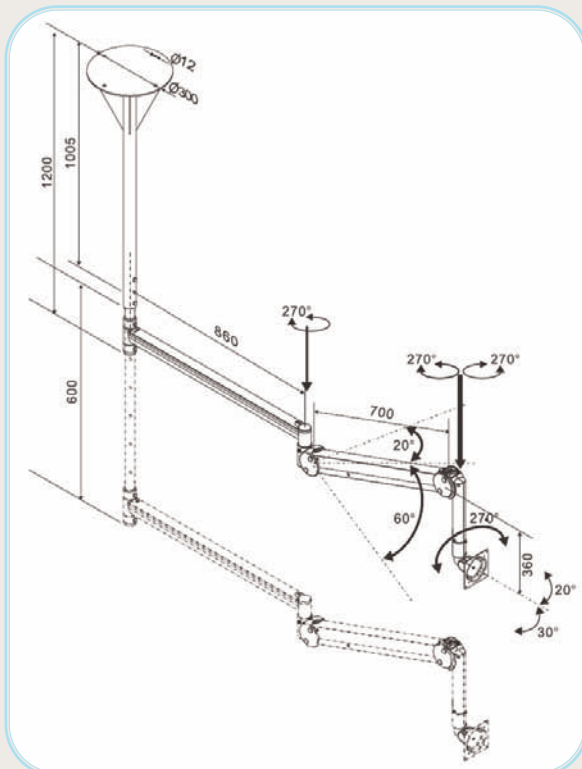
Safety, health and hygiene



CE CERTIFICATION



Technical Dimensions



Medical Lift Articulate One long extension Monitor Arm Wall Mount

Medical Lift Articulate One long extension Monitor Arm Wall Mount

ErgonoFlex Medical Lift Long Arm Extension makes it possible to release space, to move and place easily your screen at the point of need. To add comfort and ergonomics to your screen forever be also easy. It offers an incredible flexibility of adjustment which makes it possible to fight actively against ocular tiredness and the skeletal disorders musculo related to work on screen. Attended of a jack gas and a long extension. Add a greater mobility to your liquid crystal display or TV with the medical long arm! Ideal for the majority of the environments, including the hospital, the dentist, of the private clinics, the laboratories, manufacture, of the airports, and all the applications or an arm big length is valid.

This arm ErgonoFlex Arm is telescopic allows a horizontal deployment of 1050 mm.

A greater mobility to your liquid crystal display or TV with the medical long arm ErgonoFlex Adapter VESA 75/100 mm. Cable Management inside the arm integrated.

Max. load LCD: 9 kg. Vesa 75/100 mm

Color: Light Grey.

EGF51792 - Medical Lift Articulate One long extension Monitor Arm Wall Mount



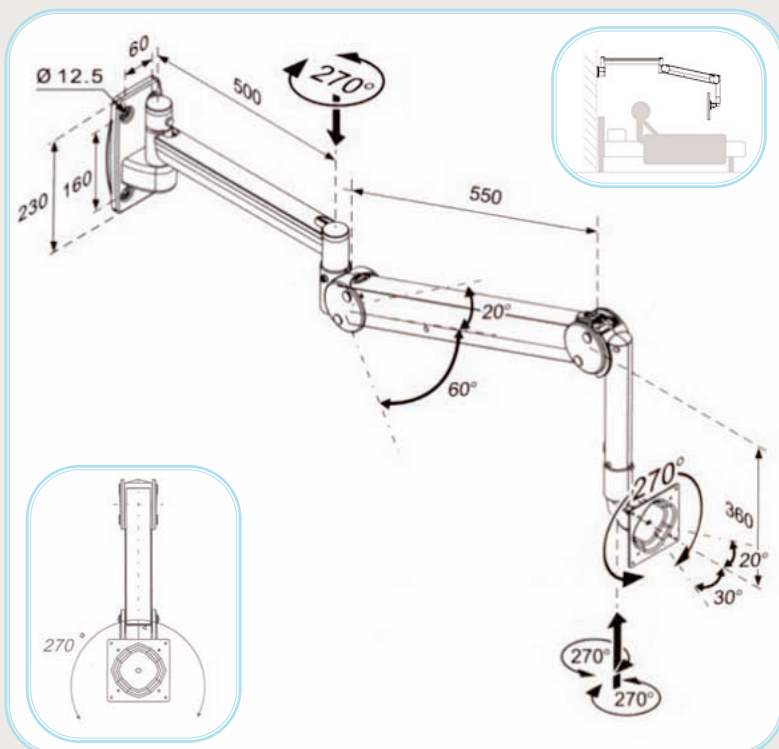
Safety, health and hygiene



CE CERTIFICATION



Technical Dimensions



Medical Lift Articulate One long extension Monitor Arm Ceiling Mount

Medical Lift Articulate One long extension Monitor Arm Ceiling Mount

ErgonoFlex Medical Lift Long Arm Extension makes it possible to release space, to move and place easily your screen at the point of need. To add comfort and ergonomics to your screen forever be also easy. It offers an incredible flexibility of adjustment which makes it possible to fight actively against ocular tiredness and the skeletal disorders musculo related to work on screen. Attended of a jack gas and a long extension. Add a greater mobility to your liquid crystal display or TV with the medical long arm! Ideal for the majority of the environments, including the hospital, the dentist, of the private clinics, the laboratories, manufacture, of the airports, and all the applications or an arm big length is valid.

This arm ErgonoFlex Arm is telescopic allows a horizontal deployment of 1050 mm.

A greater mobility to your liquid crystal display or TV with the medical long arm ErgonoFlex Adapter VESA 75/100 mm. Cable Management inside the arm integrated.

Max. load LCD: 9 kg. Vesa 75/100 mm

Color: Light Grey.

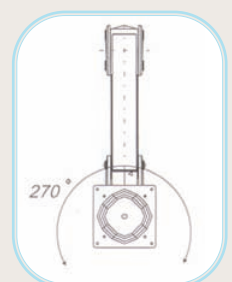
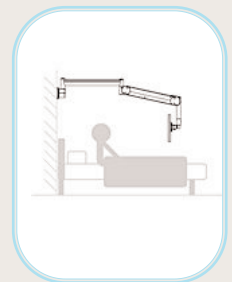
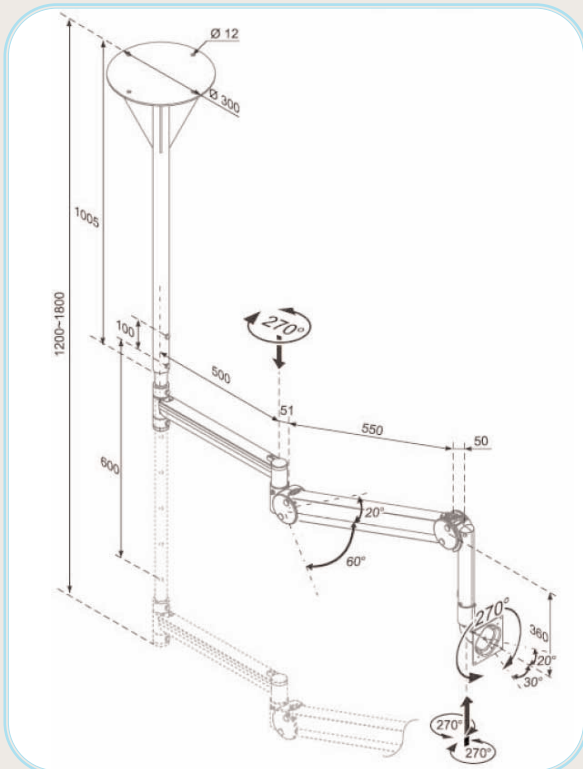
EGF51791 - Medical Lift Articulate One long extension Monitor Arm Ceiling Mount



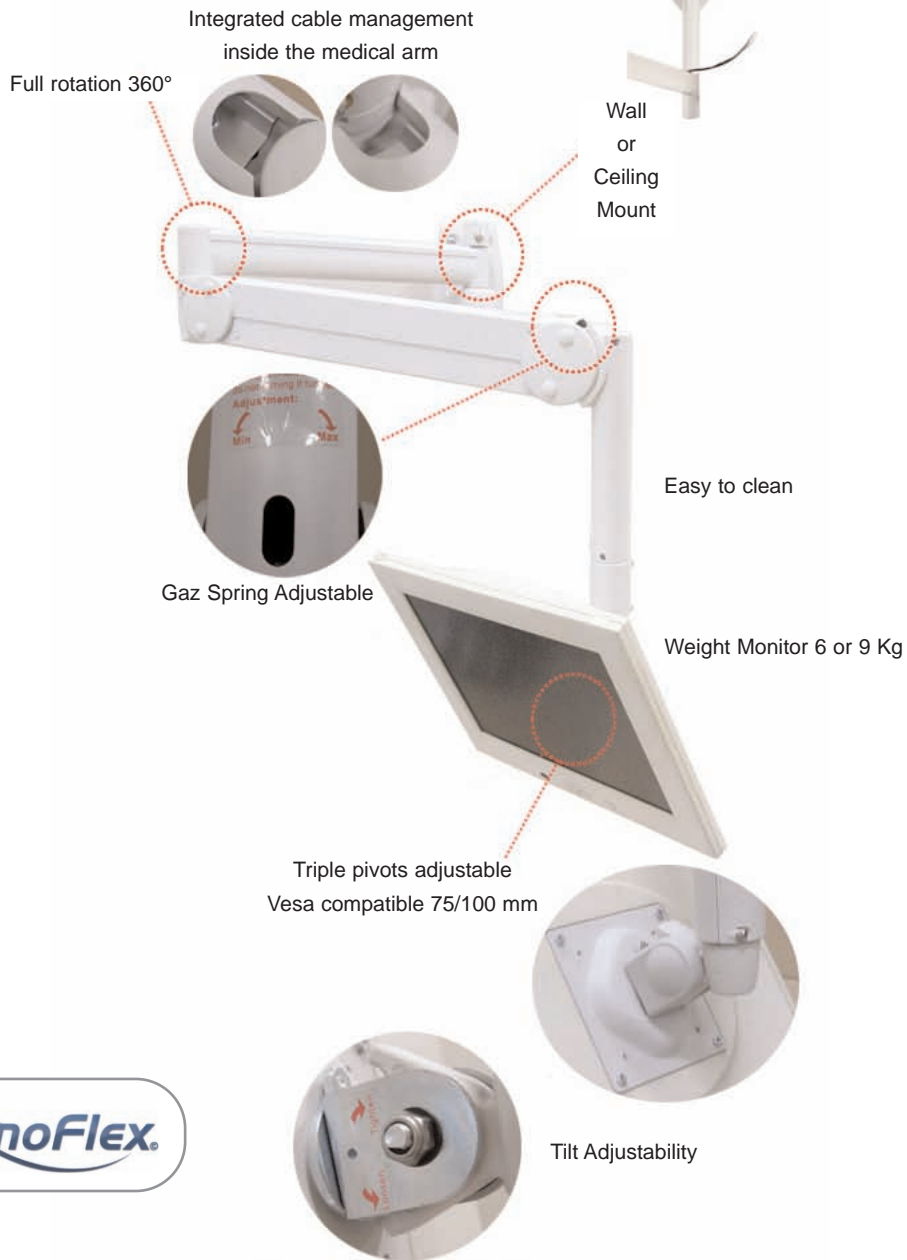
Safety, health and hygiene



Technical Dimensions



Medical Monitor Arms Wall and Ceiling Mount Detail



Connecting to Patient Information at the Point of Care

Medical Lift Articulate One long extension Monitor Arm Wall Mount

Being connected with patient information at the time it is needed is critical to patient care. Through new technology, the ease with which that access can be granted is rapidly advancing. In fact, it is moving to the bedside, using infrastructure and technology deployed for the delivery of patient entertainment services.

Through smart card technology, designated hospital staff are able to securely and confidentially access patient information through various hospital applications at the patient bedside.

This helps to promote process optimization at the point of care, utilizing the same infrastructure for both patient and hospital staff purposes.

In doing so, it also provides for integrated delivery of patient entertainment services including radio, television, telephone and Internet services to the patient bedside.



Many Applications Available

