



## Workplace Wellness



## Economic Mounting Solutions



[www.ergonoflex.com](http://www.ergonoflex.com)



### **Eco Mounting Solutions**

ErgonoFlex Monitor Arms & other wall mount products are backed by an expertly trained customer service team dedicated to responding to your needs.

At ErgonoFlex, helping customers is our priority and we are here to answer all of your mount and installation questions.

ErgonoFlex continues to design state-of-the-art mounting solutions that complement the technology they support. With multiple product designs,

ErgonoFlex provides unique mount features, and is recognized for delivering not only quality products, but expert customer service to answer all of your monitor mounting product & accessory questions.

### **Index**

- \* Economic Version Desk Clamp Mount  
(page 3 to page 5)
- \* Economic Version Wall Mount  
(page 6 to page 7)
- \* Economic Version Desk Clamp/Free Base or Grommet Mount  
(page 8 to page13)



## Product Data Sheet

Monitor Mount 15-22"

Vesa 75/100 mm  
Load Capacity: 10 Kg

Simple Pole Mount  
Eco Arm  
Color Aluminium

Workplace Wellness

Part Number  
EGF 52202

[www.ergonoflex.com](http://www.ergonoflex.com)

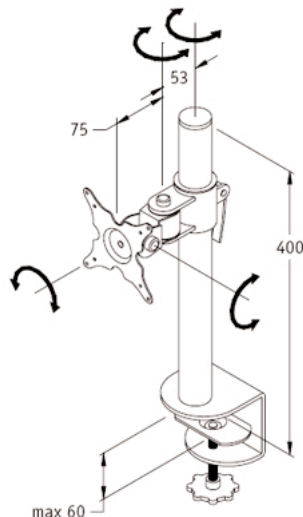
Page 3



### Single Vertical Eco Arm Desk Mount Clamp

This device can receive 1 flat-faced screens on a single basis and makes it possible to direct each one of them for a perfect visualization and a greater ergonomic comfort. Multiview technology makes it possible to fix and align perfectly several flat-faced screens. Adapter VESA 75/100 mm. Supports LCD up to 10 kgs on each pivot.

- Stand for one LCD screen on a single pole
- Height adjustable Model
- Suits LCD screens 15" up to 22"
- Max load : 10 kgs.
- Compatibility : Vesa 75x75 / 100x100 mm
- Fixing: Desk Clamp
- Color : Aluminium





Product Data Sheet

Monitor Mount 14-22"

Vesa 75/100 mm  
Load Capacity: 10 Kg

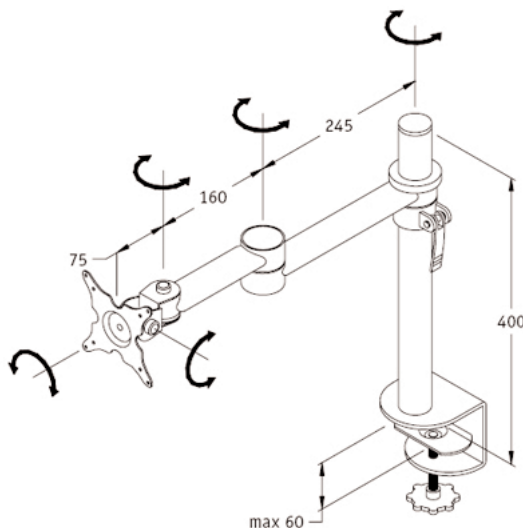
Dual Extension  
Pole Mount  
Eco Arm  
Color Aluminium

Workplace Wellness

**Dual Extension Eco Arm Desk Mount Clamp**

This device can receive 1 flat-faced screens on a single basis and makes it possible to direct each one of them for a perfect visualization and a greater ergonomic comfort. Multiview technology makes it possible to fix and align perfectly several flat-faced screens. Adapter VESA 75/100 mm. Supports LCD up to 10 kgs on each pivot.

- Stand for one LCD screen with two extension on a single pole
- Height adjustable Model
- Suits LCD screens 14" up to 22"
- Max load : 10 kgs.
- Compatibility : Vesa 75x75 / 100x100 mm
- Fixing: Desk Clamp
- Color : Aluminium



Part Number  
EGF 52212

[www.ergonoflex.com](http://www.ergonoflex.com)

## Product Data Sheet

Monitor Mount 14-19"

Vesa 75/100 mm  
Load Capacity: 10 Kg

Dual Horizontal  
Eco Arm  
Color Aluminium

Workplace Wellness

Part Number  
EGF 52222

[www.ergonoflex.com](http://www.ergonoflex.com)

Page 5



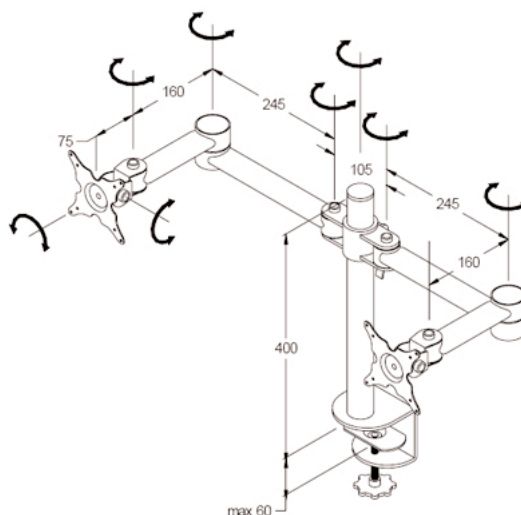
### Dual Horizontal Eco Arm Desk Mount Clamp

This device can receive 2 flat-faced screens on a single basis and makes it possible to direct each one of them for a perfect visualization and a greater ergonomic comfort.

Multiview technology makes it possible to fix and align perfectly several flat-faced screens.

Adapter VESA 75/100 mm. Supports LCD up to 10 kgs on each pivot.

- Stand for two horizontal LCD screen on a single pole
- Height adjustable Model
- Suits LCD screens 14" up to 19"
- Max load : 10 kgs.
- Compatibility : Vesa 75x75 / 100x100 mm
- Fixing: Desk Mount Clamp
- Color : Aluminium





## Product Data Sheet

Monitor Mount 15-22"

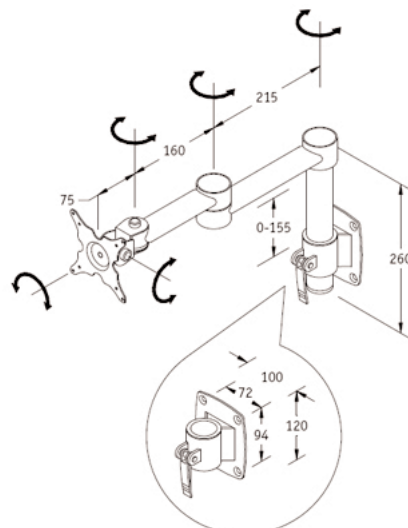
Vesa 75/100 mm  
Load Capacity: 15 Kg

Double Extension  
Eco Arm  
Color Aluminium

### Simple double extension Wall Mount Eco Arm

Attach on a wall your flat panel monitors to this arm and free up desk space while adding a greater range of movement. This unit provides a sturdy platform for your LCD while allowing swing, tilt and pan motion. System depth is minimal when pushed back against the wall, perfect for space-constrained areas. It offers a maximum of comfort and productivity.

- Extended model with fixed height
- Lateral moving and multiple movement
- Attachment : wall mount
- Adjustable model in height
- Compatibility : Vesa 75x75 and 100x100
- Max load. 10 kgs
- Color : Aluminium



Workplace Wellness

Part Number  
EGF 52232

[www.ergonoflex.com](http://www.ergonoflex.com)

## Product Data Sheet

Monitor Mount 14-22"

Vesa 75/100 mm  
Load Capacity: 15 Kg

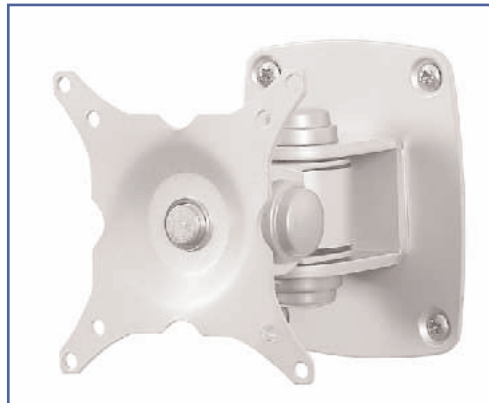
Triple Pivot Eco Arm  
Color Aluminium

Workplace Wellness

Part Number  
EGF 52242

[www.ergonoflex.com](http://www.ergonoflex.com)

Page 7

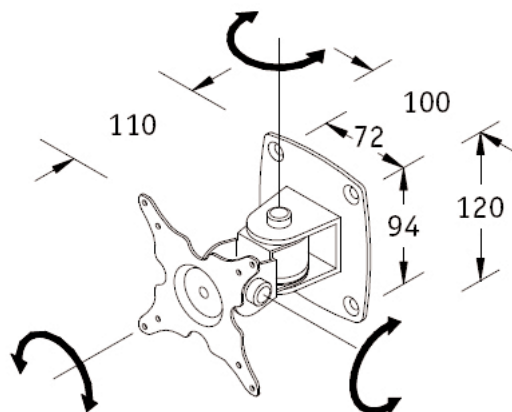


### Direct Wall Mount Triple pivots Eco Arm

This Triples pivot allows an LCD to be mounted with a minimum profile while providing up/down tilt and right/left pan. It even rotates for portrait/landscape viewing. Slim profile saves space—less than 110 mm separates wall and monitor. Provides smooth adjustment while maintaining touch-screen stability. Tilt, pan or rotate your screen.

Internal steel construction for long-lasting durability.

- \* 3 pivoting points/ Portrait Landscape
- \* Tilting  $-90^{\circ}/+90^{\circ}$
- \* Vesa 75/100 mm
- \* Swiveling or tilt  $180^{\circ}$
- \* Rotate  $270^{\circ}$
- \* Color Aluminium





Product Data Sheet

Monitor Mount 14-19"

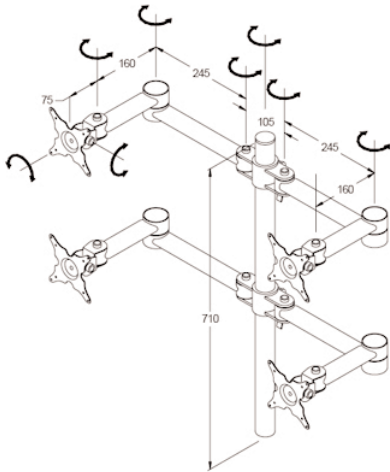
Vesa 75/100 mm  
Load Capacity: 10 Kg

Quad  
Pole Mount  
Eco Arm  
Color Aluminium

Workplace Wellness

Part Number  
EGF 52322

[www.ergonoflex.com](http://www.ergonoflex.com)



**Quad Eco Arm Desk Mount (Options)**

This device can receive 4 flat-faced screens on a single basis and makes it possible to direct each one of them for a perfect visualization and a greater ergonomic comfort. Multiview technology makes it possible to fix and align perfectly several flat-faced screens. Adapter VESA 75/100 mm. Supports LCD up to 10 kgs on each pivot.

- Stand for four LCD screen on a single pole
- Height adjustable Model
- Suits LCD screens 14" up to 19"
- Max load : 10 kgs.
- Compatibility : Vesa 75x75 / 100x100 mm
- Fixing: Choose Desk Mount Options
- Color : Aluminium



Grommet Mount

EGF 52952



Desk Clamp

EGF 52922

## Product Data Sheet



Monitor Mount 14-19"

Vesa 75/100 mm  
Load Capacity: 10 Kg

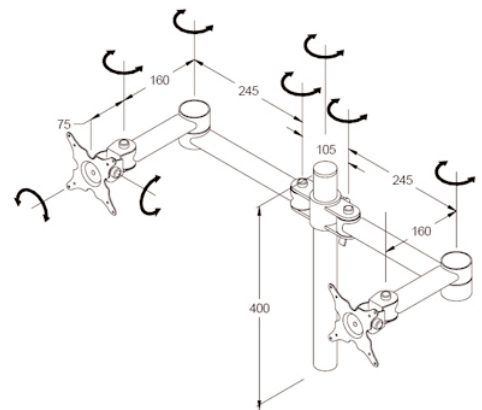
Dual Horizontal  
Pole Mount  
Eco Arm  
Color Aluminium

Workplace Wellness

Part Number  
EGF 52332

[www.ergonoflex.com](http://www.ergonoflex.com)

Page 9



### Dual Horizontal Eco Arm Desk Mount (Options)

This device can receive 2 flat-faced screens on a single basis and makes it possible to direct each one of them for a perfect visualization and a greater ergonomic comfort. Multiview technology makes it possible to fix and align perfectly several flat-faced screens. Adapter VESA 75/100 mm. Supports LCD up to 10 kgs on each pivot.

- Stand for two horizontal LCD screen on a single pole
- Height adjustable Model
- Suits LCD screens 14" up to 19"
- Max load : 10 kgs.
- Compatibility : Vesa 75x75 / 100x100 mm
- Fixing: Choose Desk Mount Options
- Color : Aluminium



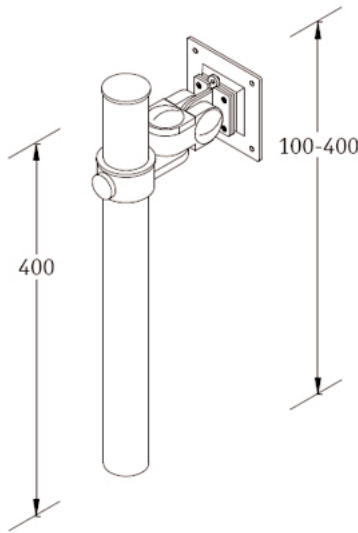
Grommet Mount

EGF 52952



Desk Clamp

EGF 52922



Product Data Sheet

Monitor Mount 15-19"

Vesa 75/100 mm  
Load Capacity: 10 Kg

Simple Pole Mount  
Eco Arm  
Color Aluminium

**Single Vertical Eco Arm Desk Mount (Options)**

This device can receive 1 flat-faced screens on a single basis and makes it possible to direct each one of them for a perfect visualization and a greater ergonomic comfort. Multiview technology makes it possible to fix and align perfectly several flat-faced screens. Adapter VESA 75/100 mm. Supports LCD up to 10 kgs on each pivot.

- Stand for one LCD screen on a single pole
- Height adjustable Model
- Suits LCD screens 15" up to 19"
- Max load : 10 kgs.
- Compatibility : Vesa 75x75 / 100x100 mm
- Fixing: Choose Desk Mount Options
- Color : Aluminium

Workplace Wellness

Part Number  
EGF 52352



Grommet Mount

EGF 52952



Desk Clamp

EGF 52922



Free Base Trapezoide

EGF 52912

[www.ergonoflex.com](http://www.ergonoflex.com)

## Product Data Sheet

Monitor Mount 15-19"

Vesa 75/100 mm  
Load Capacity: 10 Kg

Dual Extension  
Pole Mount  
Eco Arm  
Color Aluminium

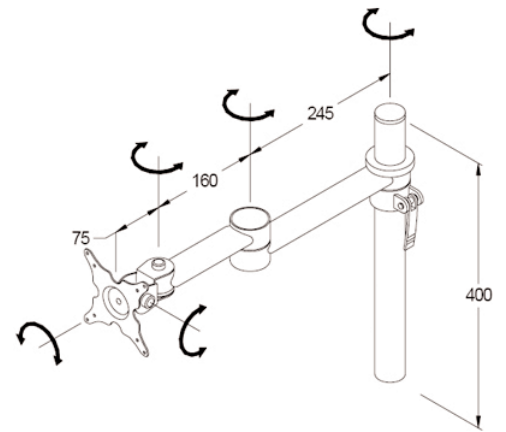
Workplace Wellness

Part Number  
EGF 52362

[www.ergonoflex.com](http://www.ergonoflex.com)

Page 11

# ErgonoFlex®



### Single Dual Extension Eco Arm Desk Mount (Options)

This device can receive 1 flat-faced screens on a single basis and makes it possible to direct each one of them for a perfect visualization and a greater ergonomic comfort. Multiview technology makes it possible to fix and align perfectly several flat-faced screens. Adapter VESA 75/100 mm. Supports LCD up to 10 kgs on each pivot.

- Stand for one LCD screen with two extension on a single pole
- Height adjustable Model
- Suits LCD screens 15" up to 19"
- Max load : 10 kgs.
- Compatibility : Vesa 75x75 / 100x100 mm
- Fixing: Choose Desk Mount Options
- Color : Aluminium



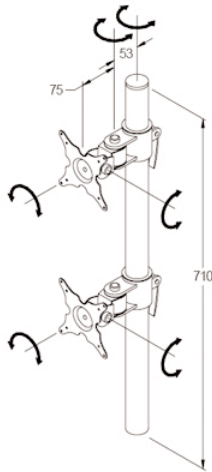
Grommet Mount

EGF 52952



Desk Clamp

EGF 52922



### Dual Vertical Eco Arm Desk Mount (Options)

This device can receive 2 flat-faced screens on a single basis and makes it possible to direct each one of them for a perfect visualization and a greater ergonomic comfort. Multiview technology makes it possible to fix and align perfectly several flat-faced screens. Adapter VESA 75/100 mm. Supports LCD up to 10 kgs on each pivot.

- Stand for two vertical LCD screen on a single pole
- Height adjustable Model
- Suits LCD screens 14" up to 19"
- Max load : 10 kgs.
- Compatibility : Vesa 75x75 / 100x100 mm
- Fixing: Choose Desk Mount Options
- Color : Aluminium



Grommet Mount

EGF 52952



Desk Clamp

EGF 52922

Part Number  
EGF 52372

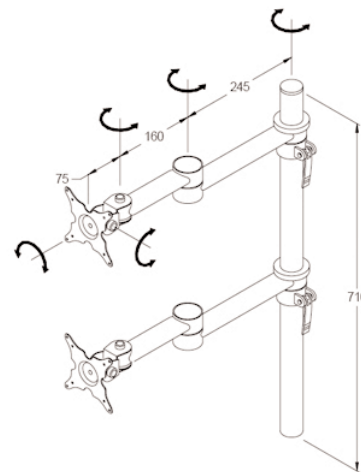
[www.ergonoflex.com](http://www.ergonoflex.com)

## Product Data Sheet

Monitor Mount 14-19"

Vesa 75/100 mm  
Load Capacity: 10 Kg

Dual Double Extension  
Eco Arm  
Color Aluminium



### Double Dual Extension Eco Arm Desk Mount (Options)

This device can receive 2 flat-faced screens on a single basis and makes it possible to direct each one of them for a perfect visualization and a greater ergonomic comfort.

Adapter VESA 75/100 mm. Supports LCD up to 10 kgs on each pivot.

- Stand for two LCD screen on a single pole with two extension
- Height adjustable Model
- Suits LCD screens 14" up to 22"
- Max load : 10 kgs.
- Compatibility : Vesa 75x75 / 100x100 mm
- Fixing: Choose Desk Mount Options
- Color : Aluminium

Part Number  
EGF 52382

[www.ergonoflex.com](http://www.ergonoflex.com)



Grommet Mount

EGF 52952



Desk Clamp

EGF 52922



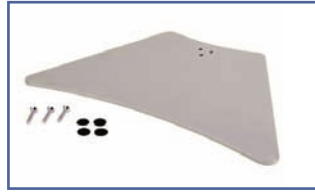
Grommet Mount

EGF 52952



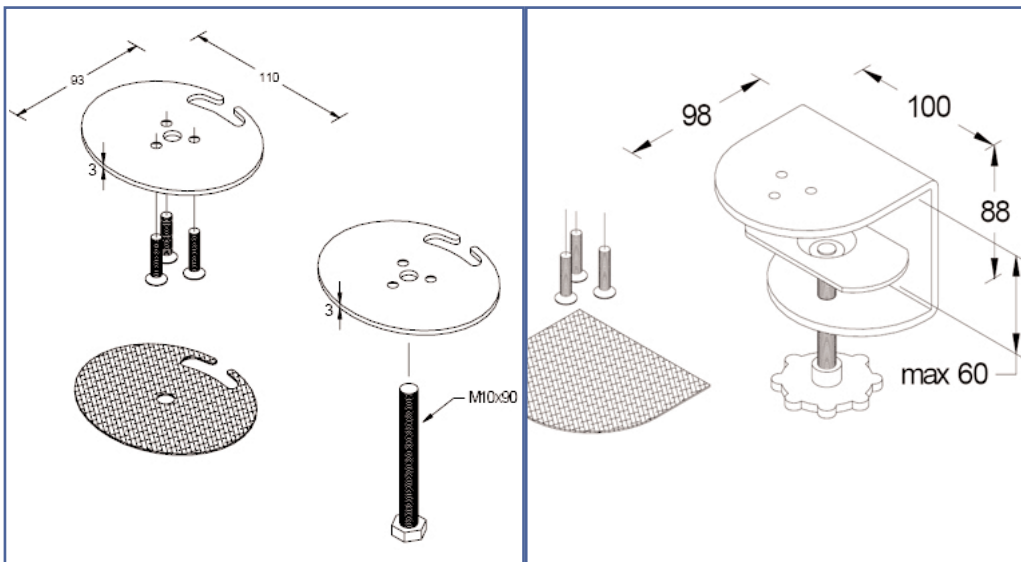
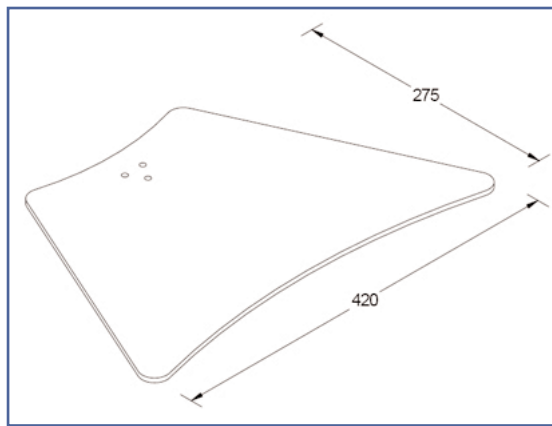
Desk Clamp

EGF 52922



Free Base Trapezoide

EGF 52912



Options Desk Mount  
Eco  
Overview

Workplace Wellness



## Workplace Wellness



## Economic Mounting Solutions



[www.ergonoflex.com](http://www.ergonoflex.com)